



US00D411381S

**United States Patent** [19]  
**Greaves et al.**

[11] **Patent Number: Des. 411,381**  
[45] **Date of Patent: \*\* Jun. 22, 1999**

- [54] **FOLDABLE SEAT WITH PANELS**
- [75] Inventors: **Mikal B. Greaves**, Seattle; **Charles K. Lau**, Bellevue; **Mark A. McLean**, Kirkland; **William C. Quan**, Newcastle; **Ferdinand J. Van Engelen**, Redmond; **Michelle J. Pillers**, Kirkland; **Kevin J. Talbot**, Mercer Island, all of Wash.
- [73] Assignee: **Tempress, Inc.**, Seattle, Wash.
- [\*\*] Term: **14 Years**
- [21] Appl. No.: **29/081,367**
- [22] Filed: **Dec. 31, 1997**

- 3,936,907 2/1976 Jansons .
- 4,099,774 7/1978 Sandham .
- 4,383,488 5/1983 Macho et al. .
- 4,428,617 1/1984 Lawson .
- 4,488,755 12/1984 Nemschoff .
- 4,775,187 10/1988 Herr .
- 4,869,551 9/1989 Lathers .
- 4,871,209 10/1989 Handelman .
- 4,926,783 5/1990 Lathers .
- 4,934,303 6/1990 Lathers et al. .
- 4,945,853 8/1990 Lathers .
- 5,018,788 5/1991 Cedergreen .
- 5,052,076 10/1991 Spaeth .
- 5,094,505 3/1992 Nichols .
- 5,110,186 5/1992 Clark et al. .
- 5,197,406 3/1993 Rabal et al. .
- 5,353,734 10/1994 Tani .
- 5,423,280 6/1995 Kelley .
- 5,460,426 10/1995 Tribelsky et al. .
- 5,463,972 11/1995 Gezari et al. .

**Related U.S. Application Data**

- [62] Division of application No. 29/060,275, Sep. 25, 1996, Pat. No. Des. 398,172.
- [51] **LOC (6) Cl.** ..... **06-01**
- [52] **U.S. Cl.** ..... **D6/368**
- [58] **Field of Search** ..... D6/334, 335, 336, D6/367, 368, 374, 375, 380, 500, 501, 502; 297/219.1, 350, 352, 378.1

*Primary Examiner*—Gary D. Watson  
*Attorney, Agent, or Firm*—Christensen O'Connor Johnson & Kindness PLLC

[57] **CLAIM**

The ornamental design for a foldable seat with panels, as shown and described.

[56] **References Cited**

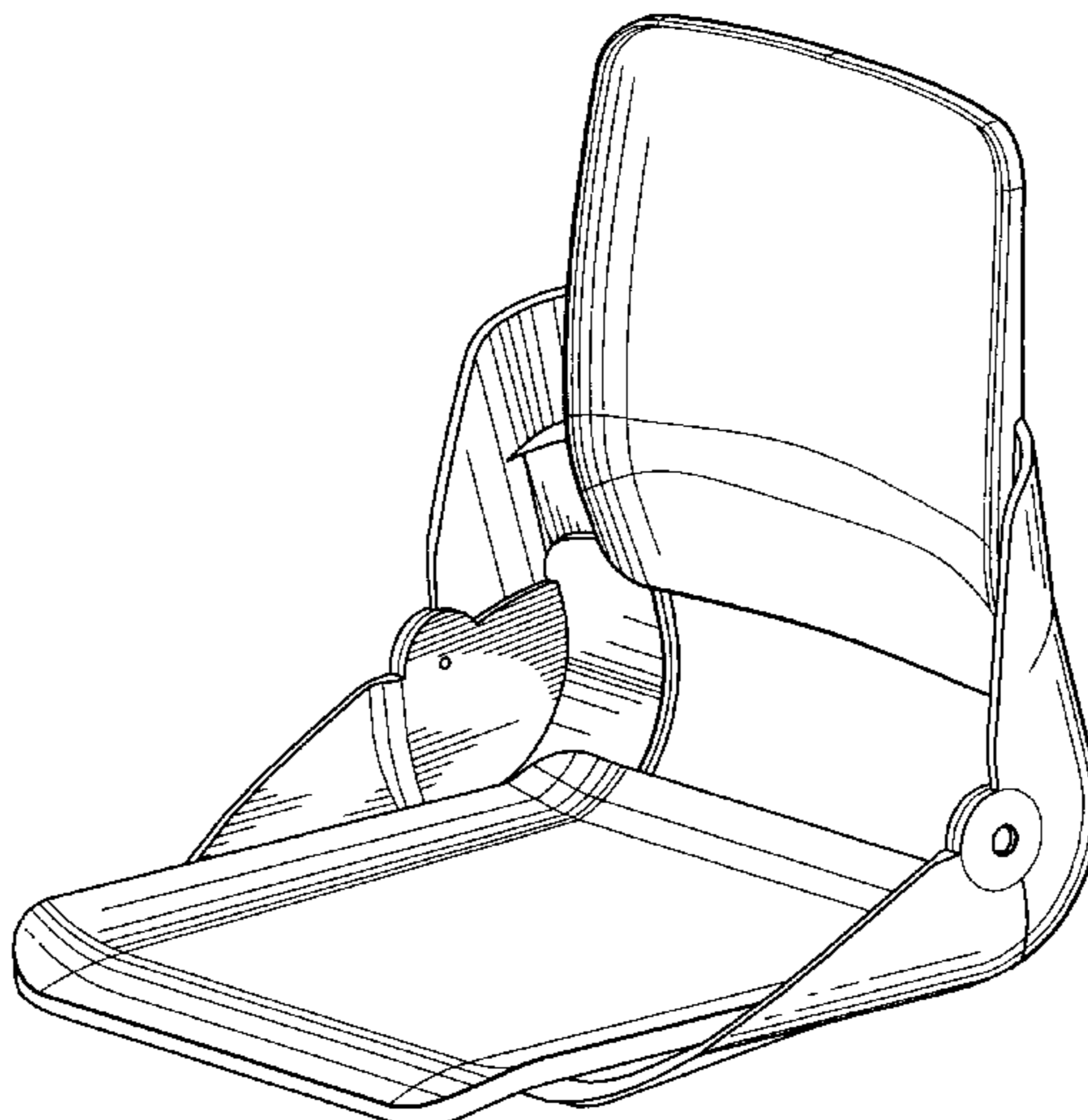
**U.S. PATENT DOCUMENTS**

- D. 171,210 12/1953 Jones ..... D6/375
- D. 183,233 7/1958 Ahrens .
- D. 303,878 10/1989 Goldsmith .
- D. 312,004 11/1990 Smith et al. .... D6/368
- D. 333,737 3/1993 Adams ..... D6/368
- D. 337,445 7/1993 Sando .
- D. 355,779 2/1995 Tribelsky .
- 1,397,675 11/1921 Buske .
- 1,467,582 9/1923 Lang .
- 2,536,157 1/1951 Campanelli .
- 3,131,970 5/1964 McGregor .
- 3,245,717 4/1966 Levy .
- 3,409,325 11/1968 Hamilton et al. .
- 3,848,921 11/1974 Rhodes .
- 3,886,611 6/1975 Lammy et al. .

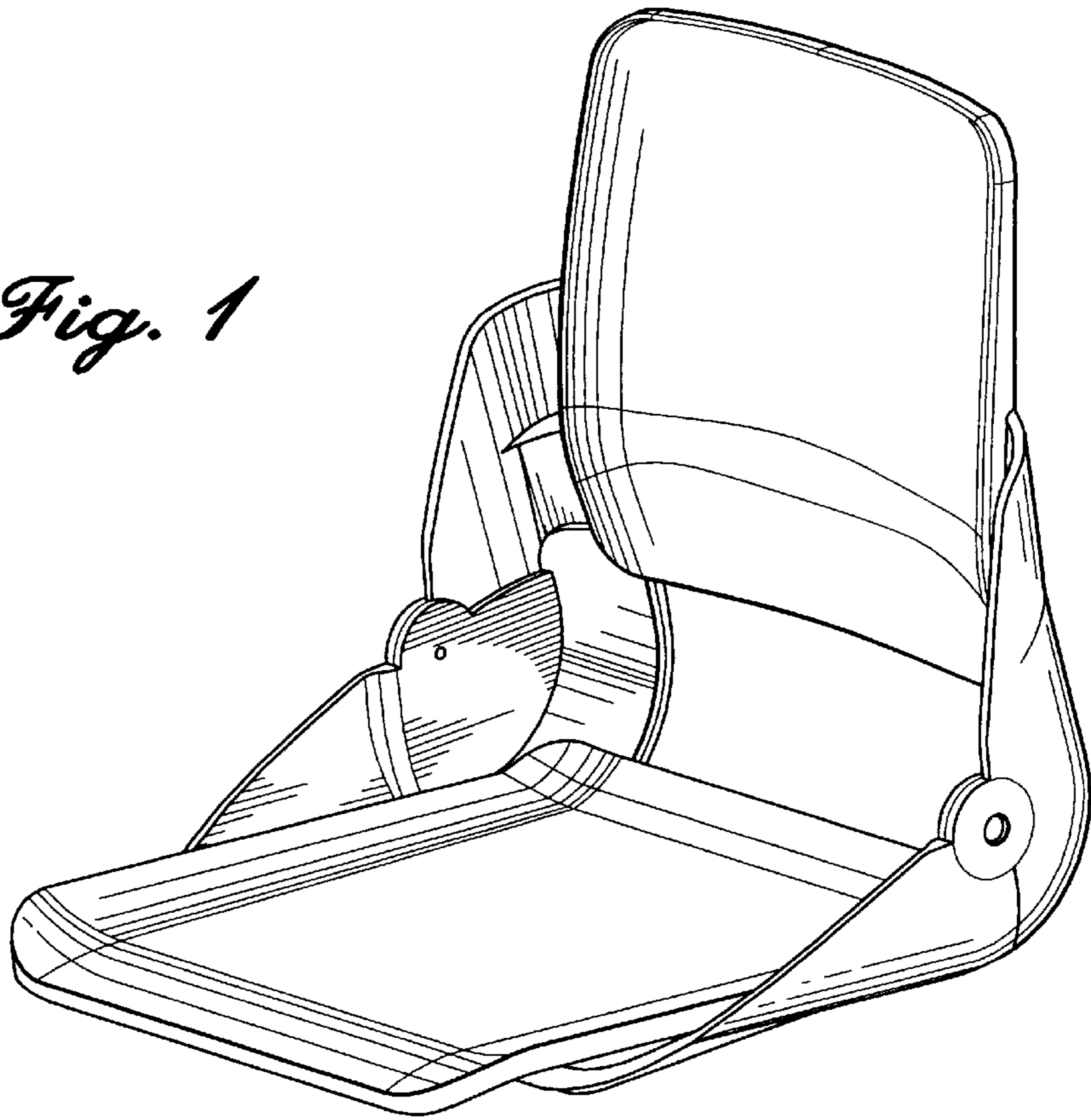
**DESCRIPTION**

FIG. 1 is a front perspective view of the foldable seat with panels;  
FIG. 2 is a rear perspective view of the foldable seat with panels;  
FIG. 3 is a front elevation of the foldable seat with panels;  
FIG. 4 is a rear elevation view of the foldable seat with panels;  
FIG. 5 is a top plan view of the foldable seat with panels;  
FIG. 6 is a bottom plan view of the foldable seat with panels;  
and,  
FIG. 7 is a left side view of the foldable seat with panels, the right side being a mirror image thereof.

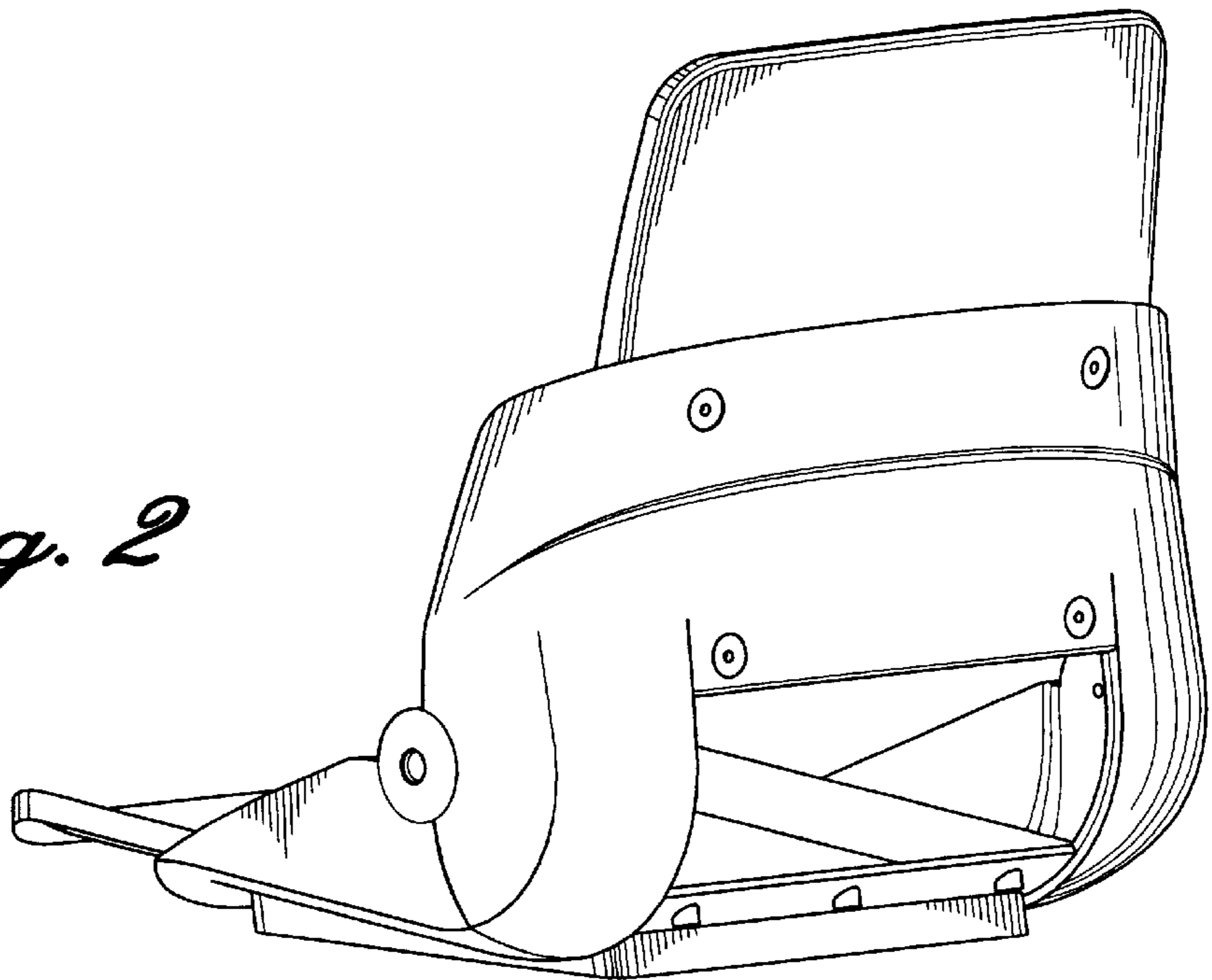
**1 Claim, 6 Drawing Sheets**

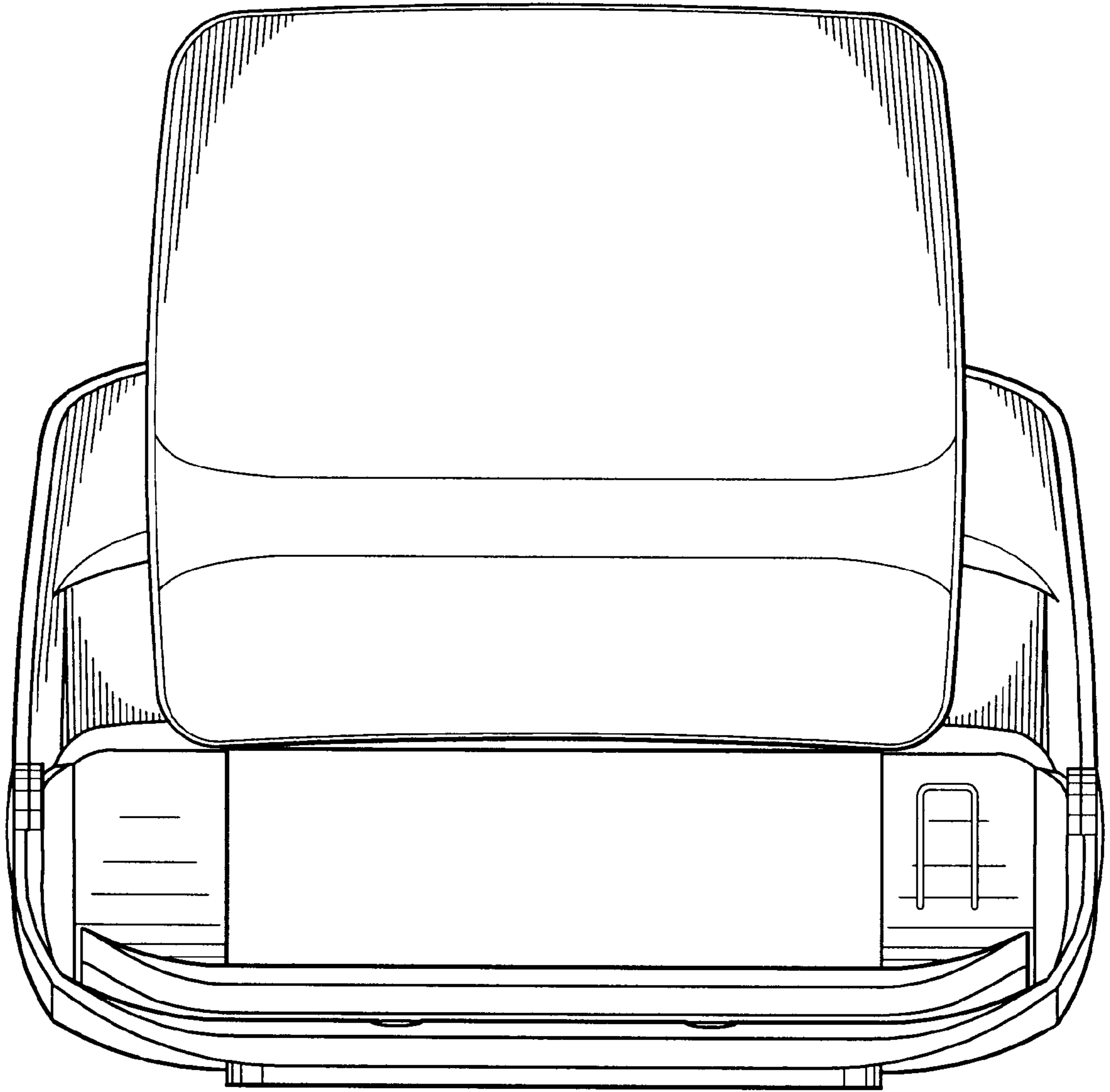


*Fig. 1*

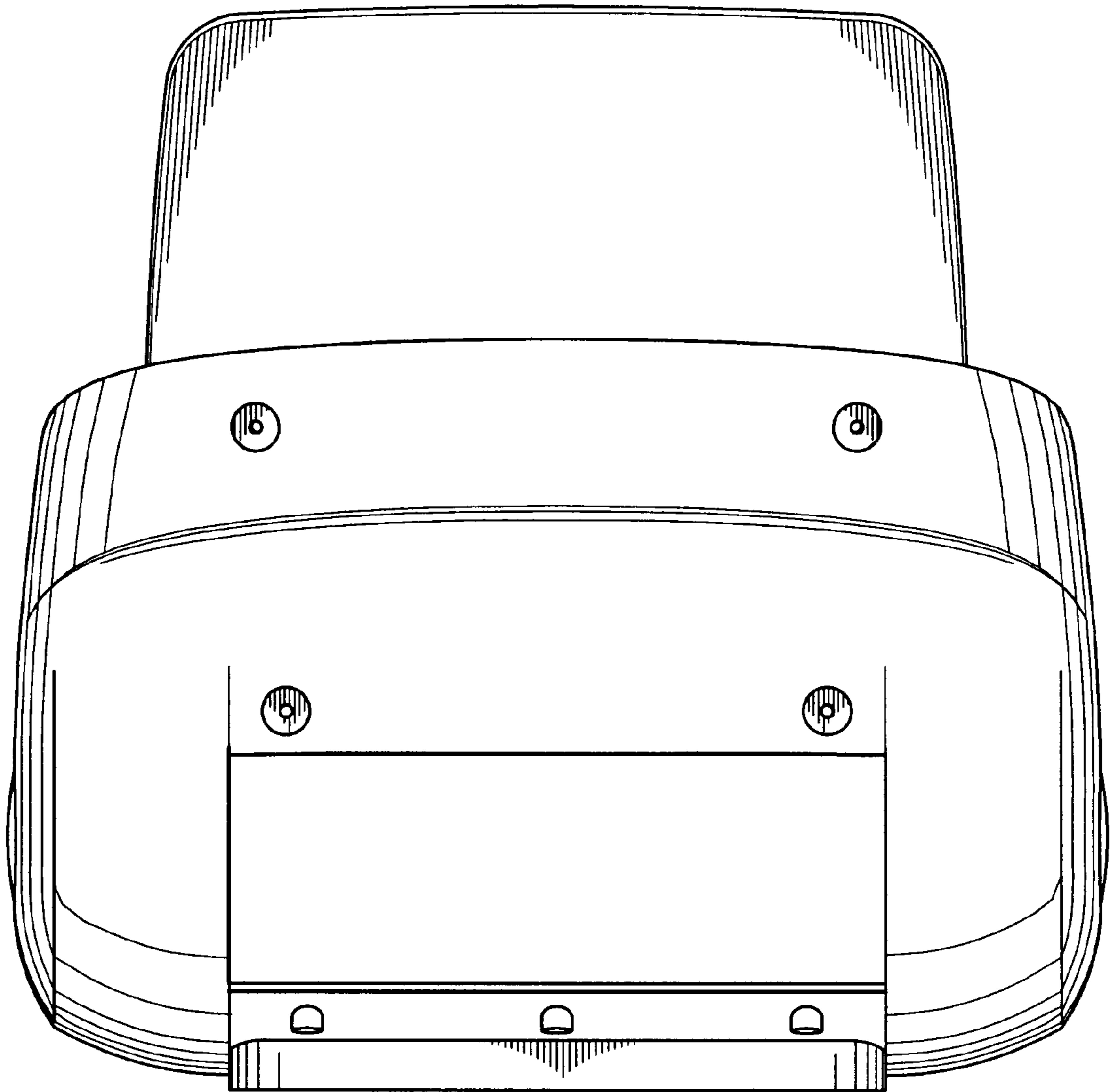


*Fig. 2*

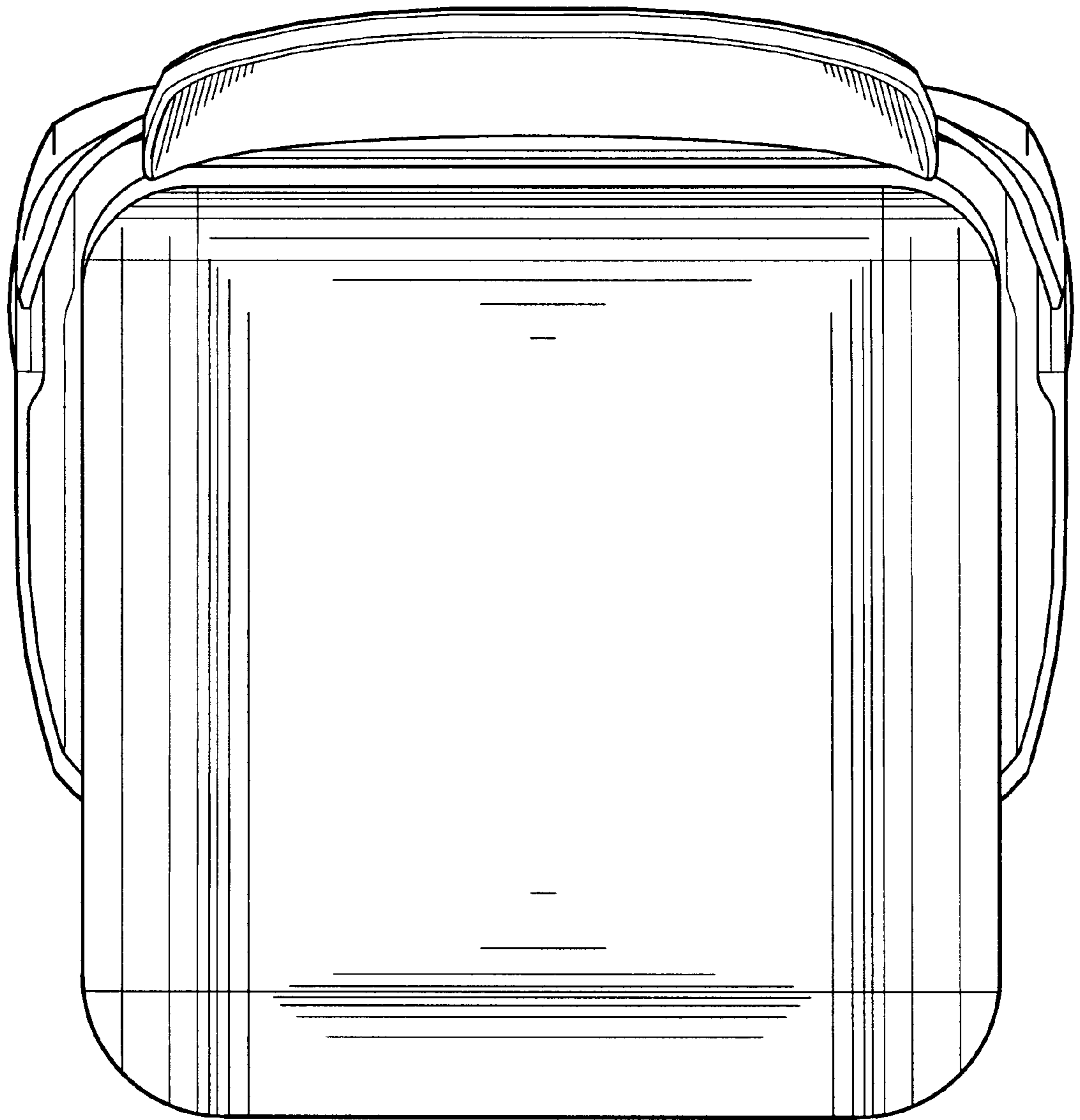




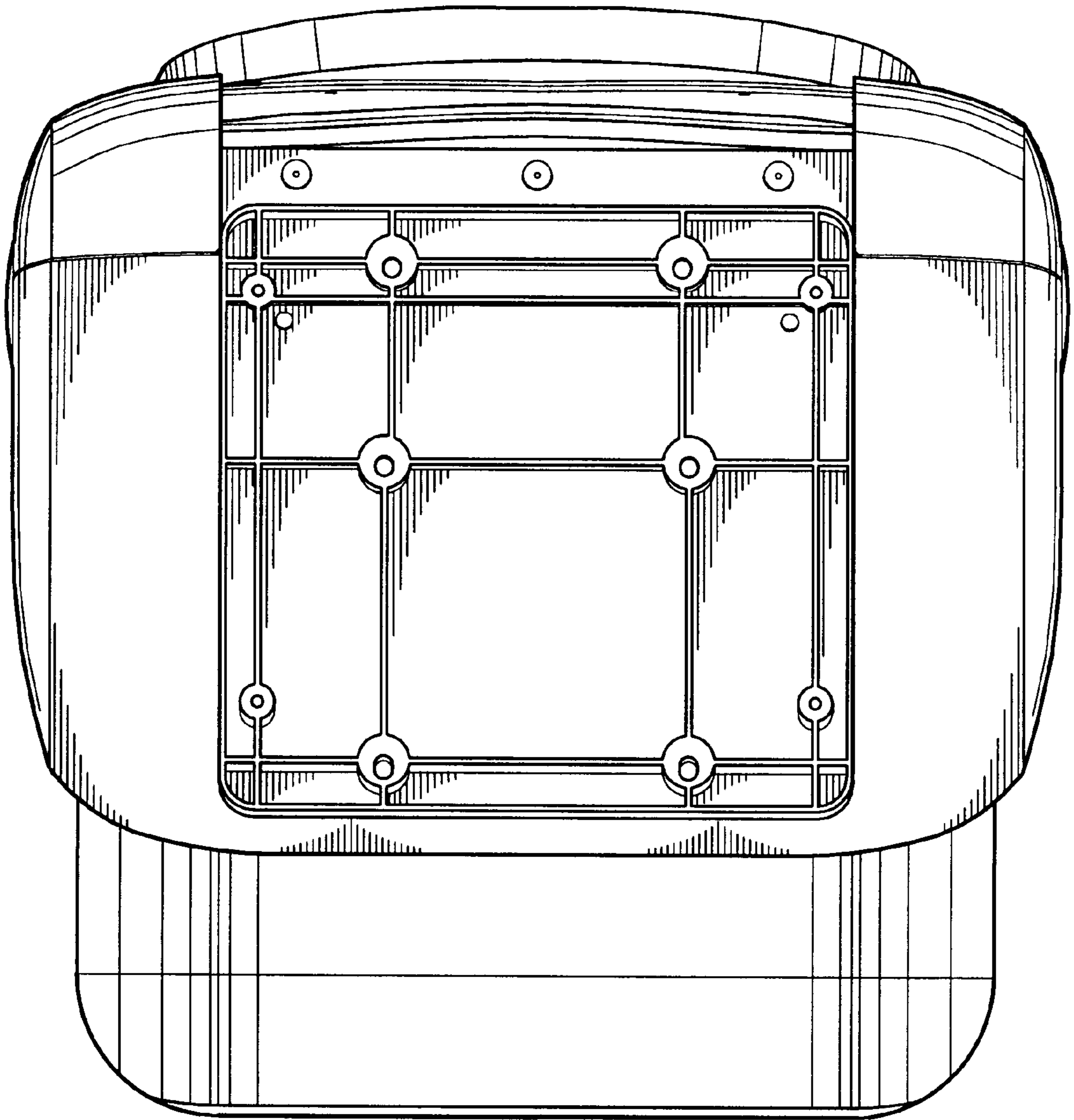
*Fig. 3*



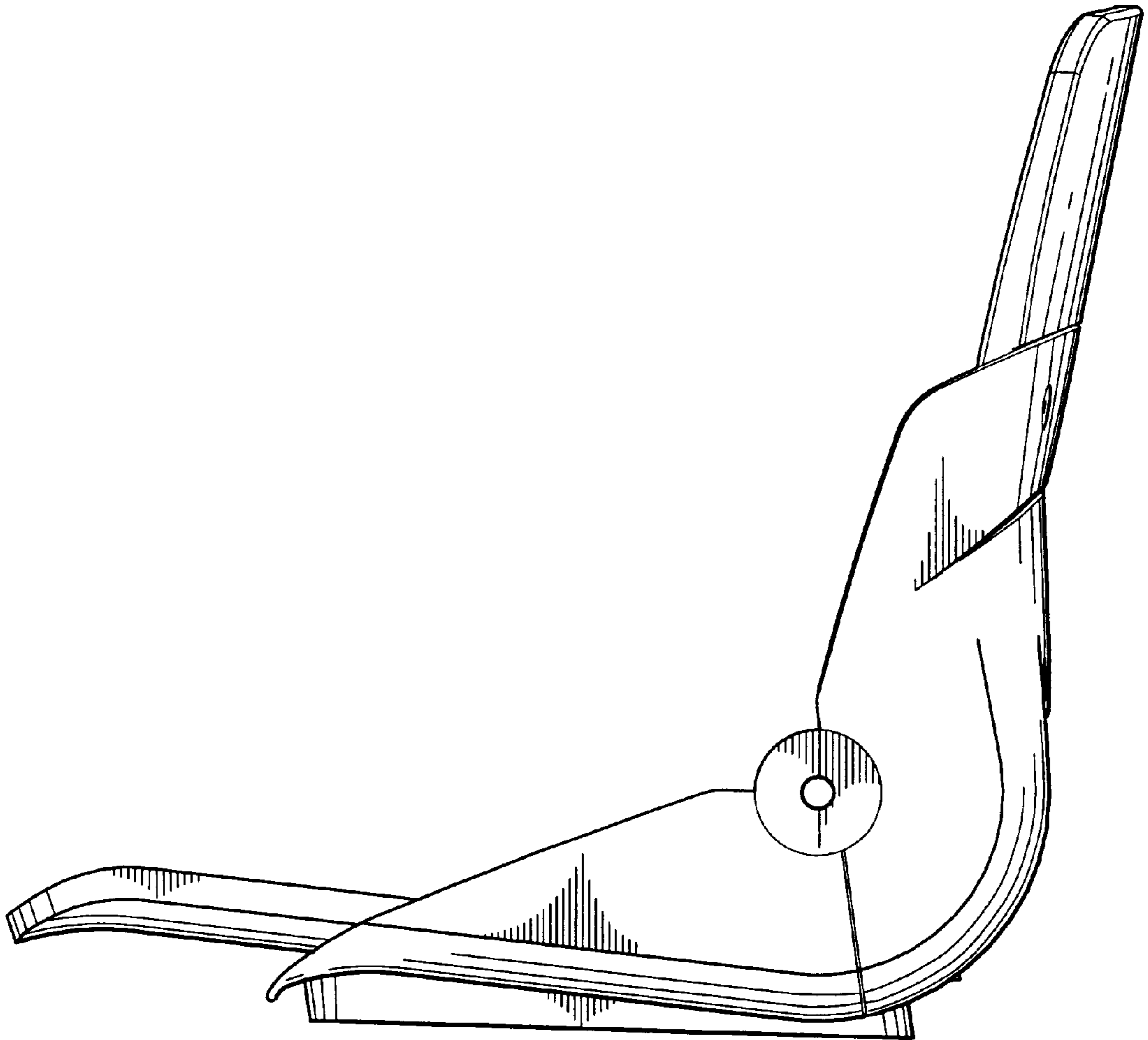
*Fig. 4*



*Fig. 5*



*Fig. 6*



*Fig. 7*