



US00D411372S

United States Patent [19]

Woodring

[11] **Patent Number: Des. 411,372**

[45] **Date of Patent: ** Jun. 22, 1999**

[54] **CLOSET ORGANIZER**

5,474,187 12/1995 Taylor et al. 211/1.56
5,533,632 7/1996 Patterson et al. 211/122

[75] Inventor: **Cooper C. Woodring**, Topeka, Kans.

[73] Assignee: **Barbara D. Arner**, Oxnard, Calif.

[**] Term: **14 Years**

Primary Examiner—B. J. Bullock
Attorney, Agent, or Firm—Oppenheimer Wolff & Donnelly LLP

[21] Appl. No.: **29/076,982**

[22] Filed: **Sep. 22, 1997**

[57] CLAIM

The ornamental design for a closet organizer, as shown and described.

[51] **LOC (6) Cl.** **06-08**

[52] **U.S. Cl.** **D6/315; D6/322**

[58] **Field of Search** D6/315, 322; 211/113, 211/115, 94.01, 85.3, 1.56, 13.1, 122; 223/DIG. 1

DESCRIPTION

FIG. 1 is a front perspective view of a closet organizer showing my new design;
FIG. 2 is a side elevational view of the closet organizer of FIG. 1; the opposite side view being a mirror image;
FIG. 3 is a rear end view thereof; and
FIG. 4 is a forward end view thereof;
FIG. 5 is a top plan view thereof; and,
FIG. 6 is a bottom plan view of the closet organizer of FIGS. 1 to 5.

[56] References Cited

U.S. PATENT DOCUMENTS

D. 298,591	11/1988	Arner et al. .	
D. 352,177	11/1994	Nadel	D6/315
D. 355,770	2/1995	Taylor et al. .	
D. 382,717	8/1997	Rolnick et al. .	
D. 383,315	9/1997	Woodring	D6/315

1 Claim, 5 Drawing Sheets

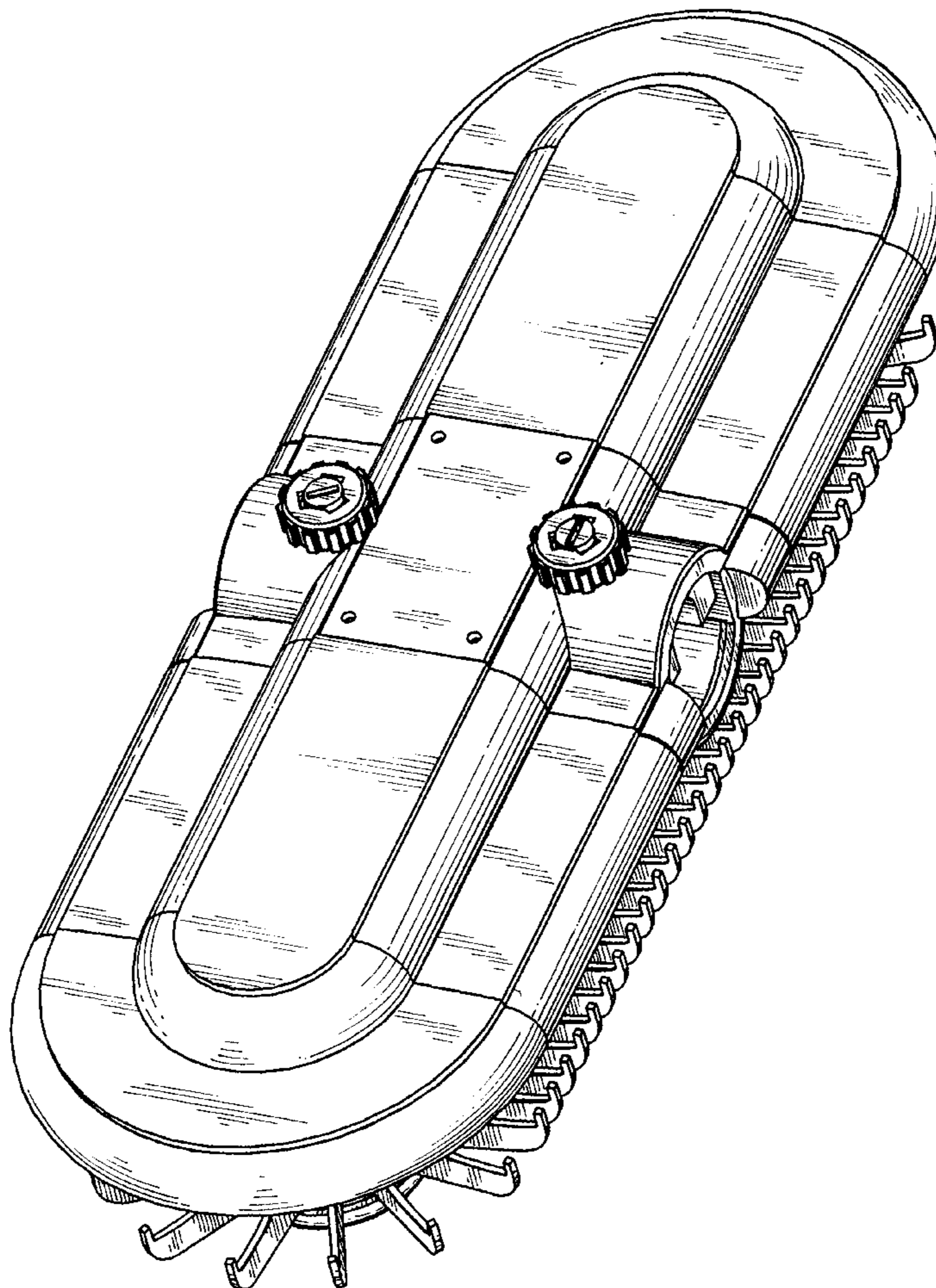


FIG. 1

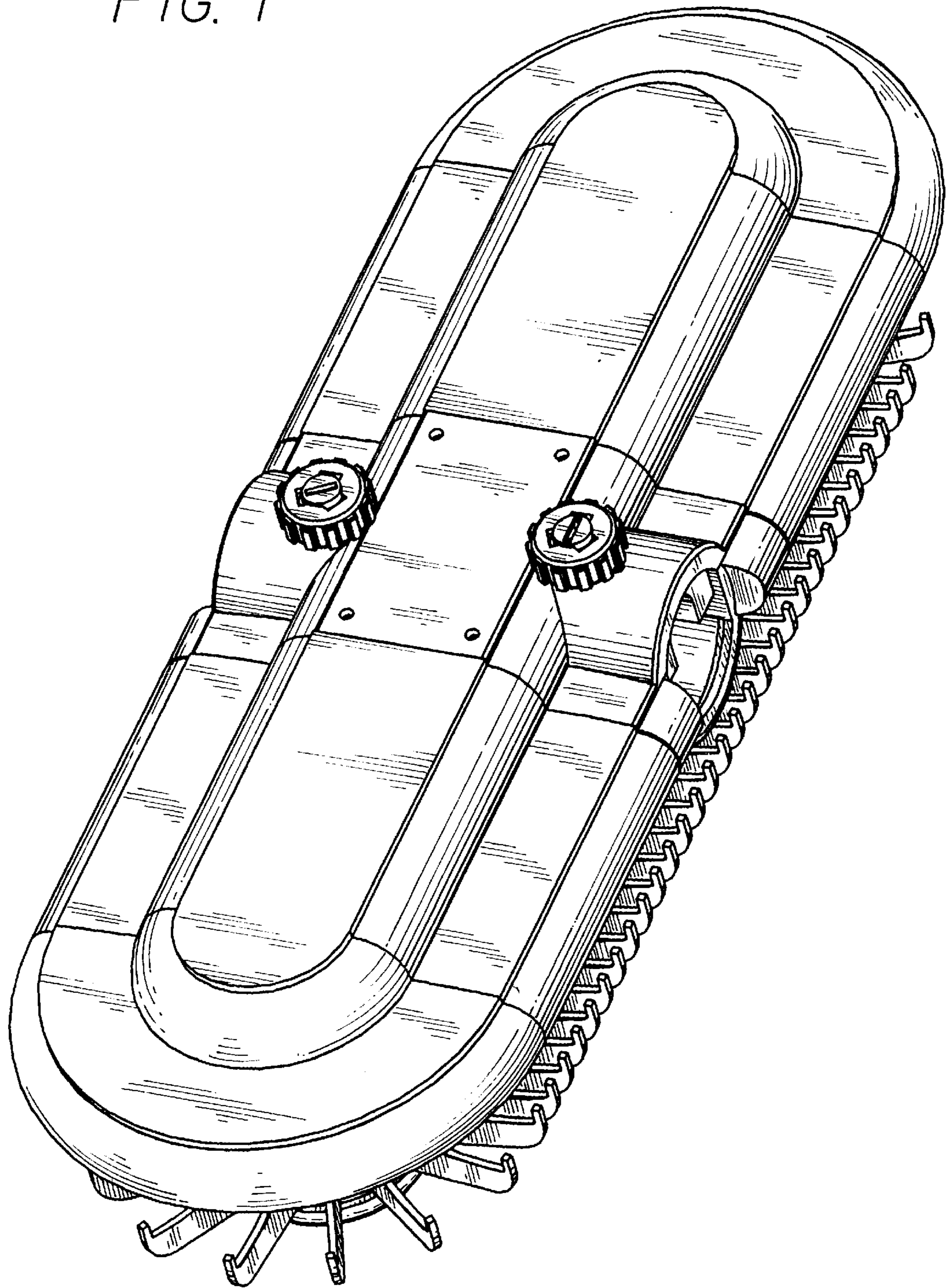


FIG. 2

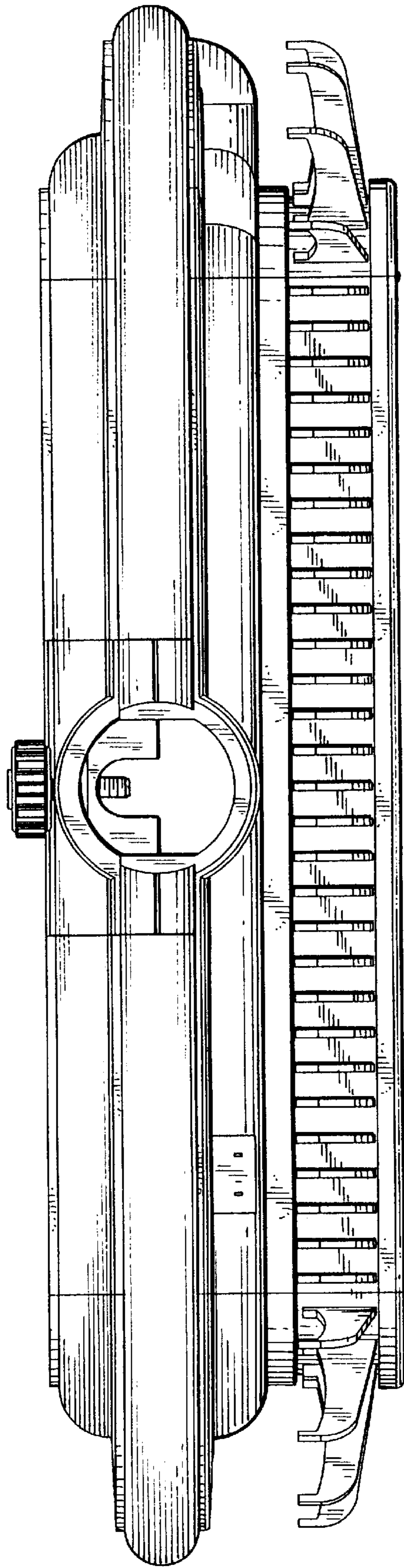


FIG. 3

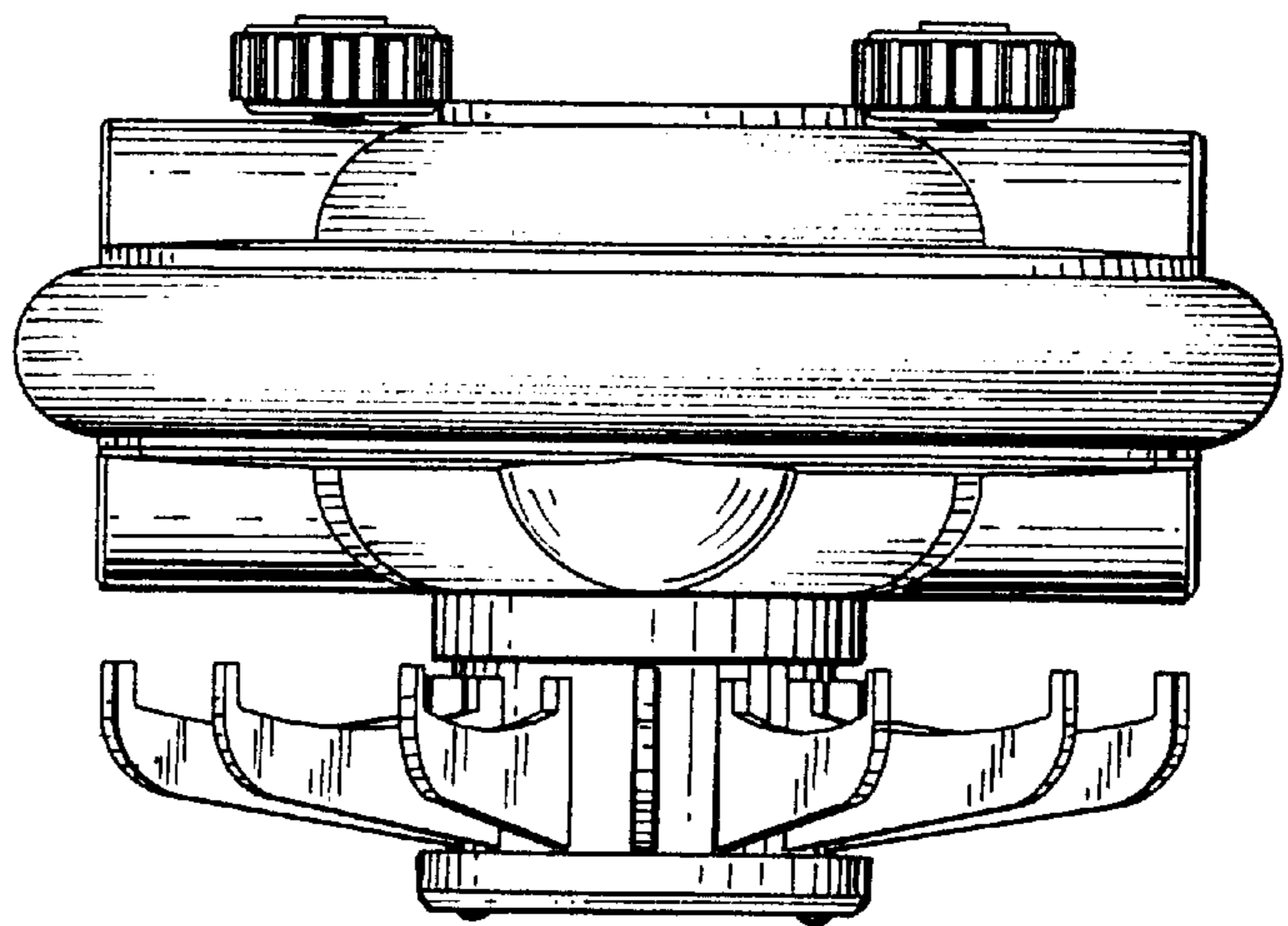
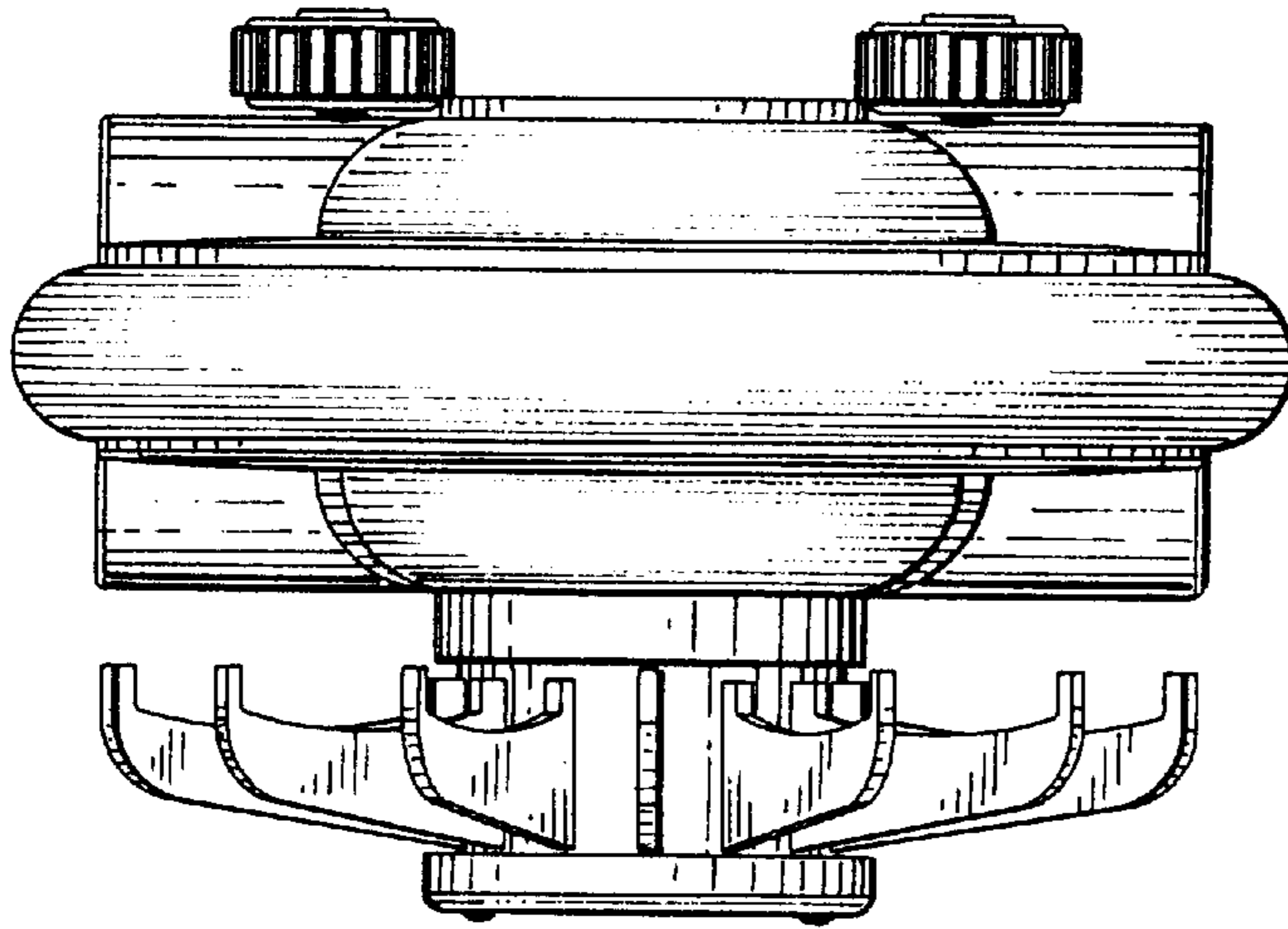


FIG. 4

FIG. 5

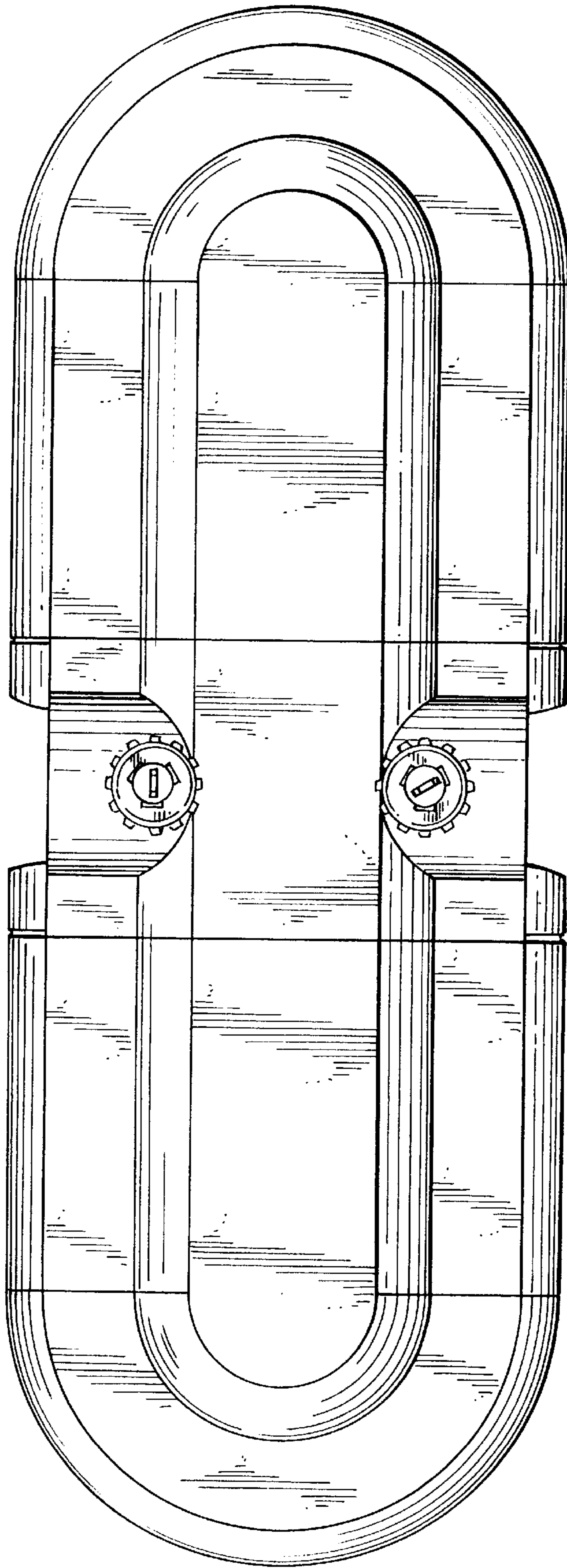


FIG. 6

