



US00D411367S

# United States Patent [19] Chen

[11] **Patent Number: Des. 411,367**

[45] **Date of Patent: \*\* Jun. 22, 1999**

[54] **CLEANING BRUSH**

[76] **Inventor: Chih-Jen Chen**, P.O. Box 82-144,  
Taipei, Taiwan

[\*\*] **Term: 14 Years**

[21] **Appl. No.: 29/090,416**

[22] **Filed: Jul. 8, 1998**

[51] **LOC (6) Cl. .... 04-01**

[52] **U.S. Cl. .... D4/115; D4/118**

[58] **Field of Search** ..... D4/115, 118, 132,  
D4/138; D23/223, 225; 15/111, 143.1, 159.1,  
160, 171; 222/191, 192; 239/289, 525,  
532; 401/40, 42, 43, 46, 137-140, 268,  
270, 278-279, 282, 284, 289-291

[56] **References Cited**

**U.S. PATENT DOCUMENTS**

840,604	1/1907	Brinn	.....	401/270
854,151	5/1907	Deasy	.....	401/284
1,262,539	4/1918	Micka	.....	401/46

2,742,658	4/1956	Sproston	.....	15/111
3,447,753	6/1969	Proctor et al.	.....	D23/225 X
5,320,281	6/1994	Harmann et al.	.....	239/289 X
5,477,583	12/1995	Deloe	.....	239/289

*Primary Examiner*—Alan P. Douglas  
*Assistant Examiner*—Lavone D. Tabor  
*Attorney, Agent, or Firm*—A & J

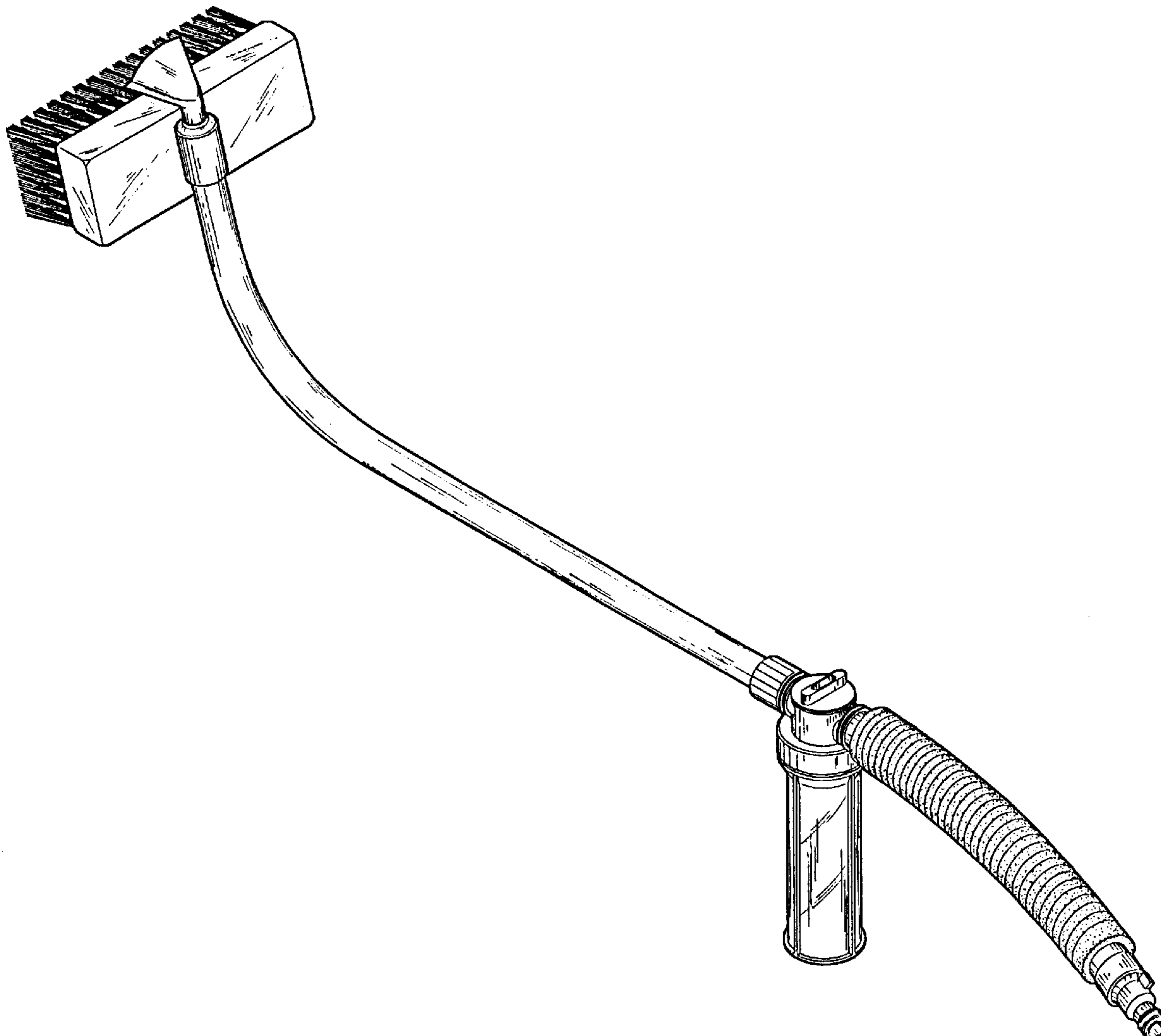
[57] **CLAIM**

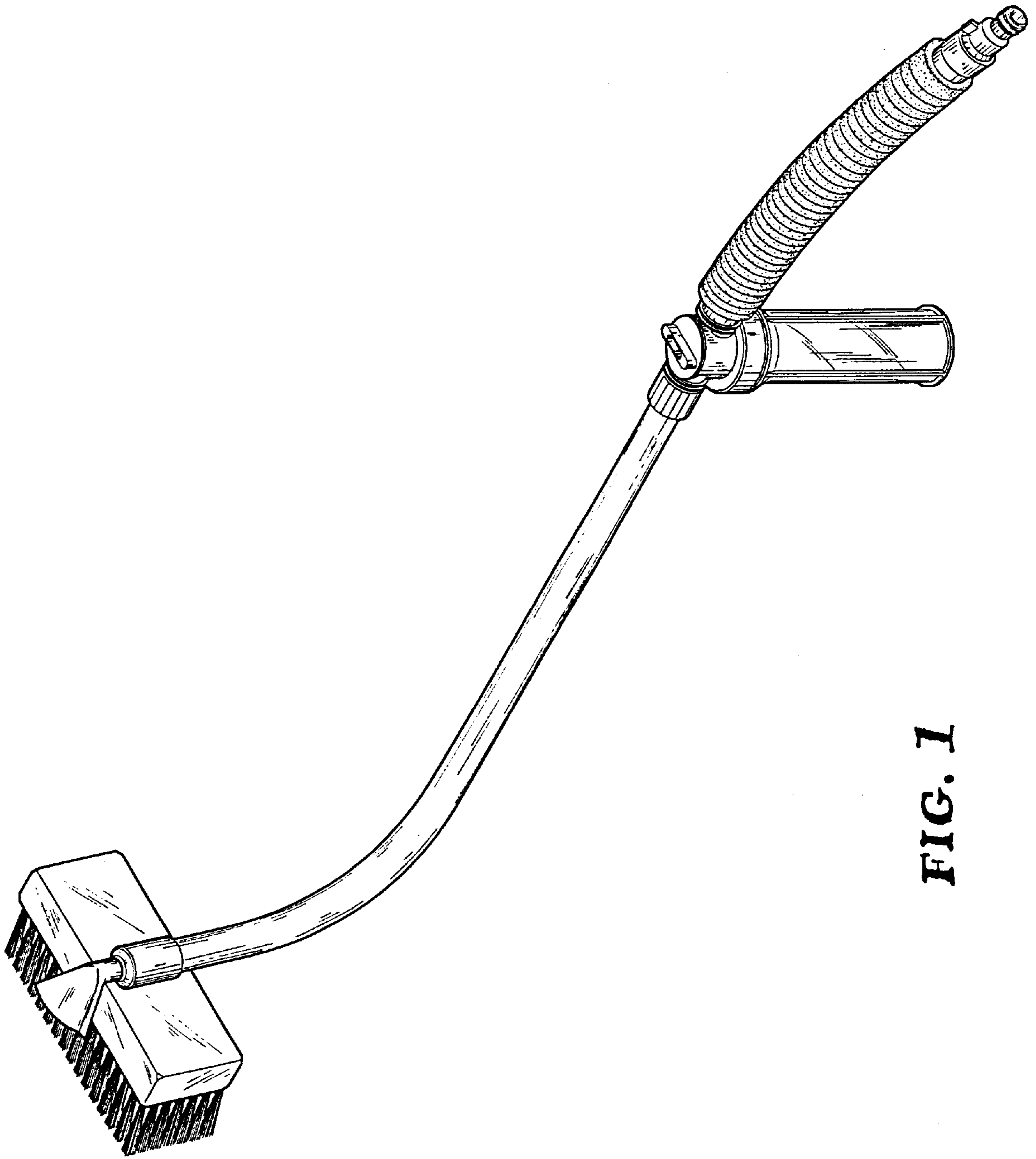
The ornamental design for a cleaning brush, as shown and described.

**DESCRIPTION**

FIG. 1 is a perspective view of a cleaning brush, showing my new design;  
FIG. 2 is a front view thereof;  
FIG. 3 is a rear view thereof;  
FIG. 4 is a left side elevational view thereof;  
FIG. 5 is a right side elevational view thereof;  
FIG. 6 is a top plan view thereof; and,  
FIG. 7 is a bottom plan view thereof.

**1 Claim, 4 Drawing Sheets**





**FIG. 1**

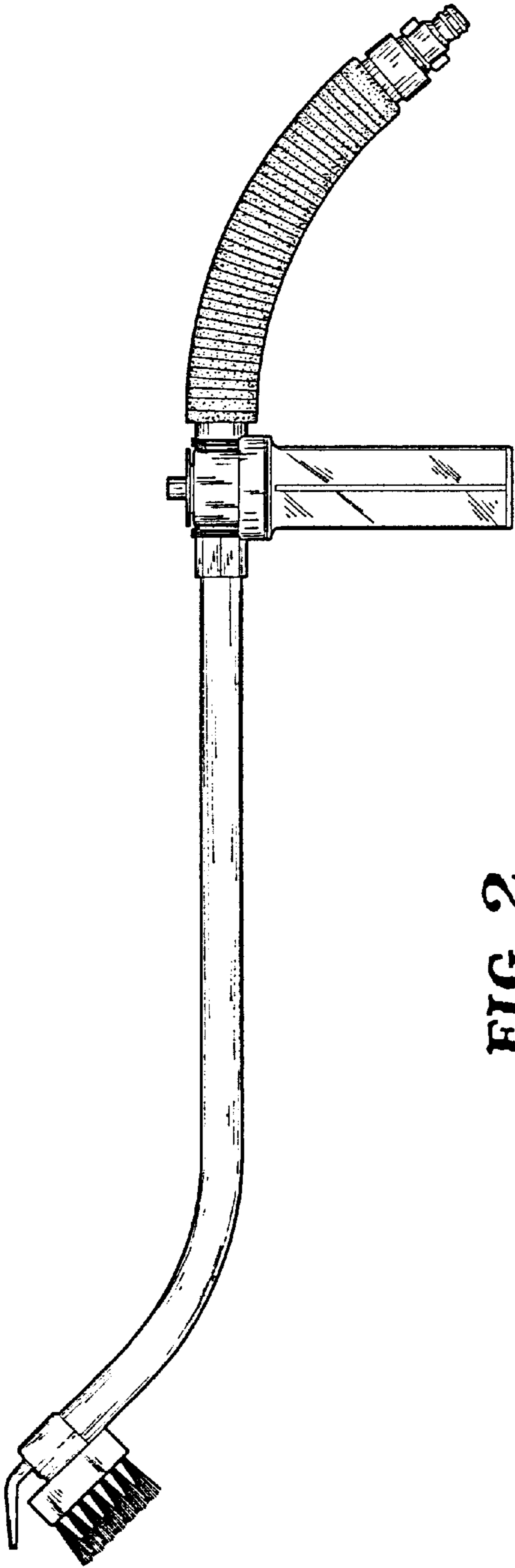


FIG. 2

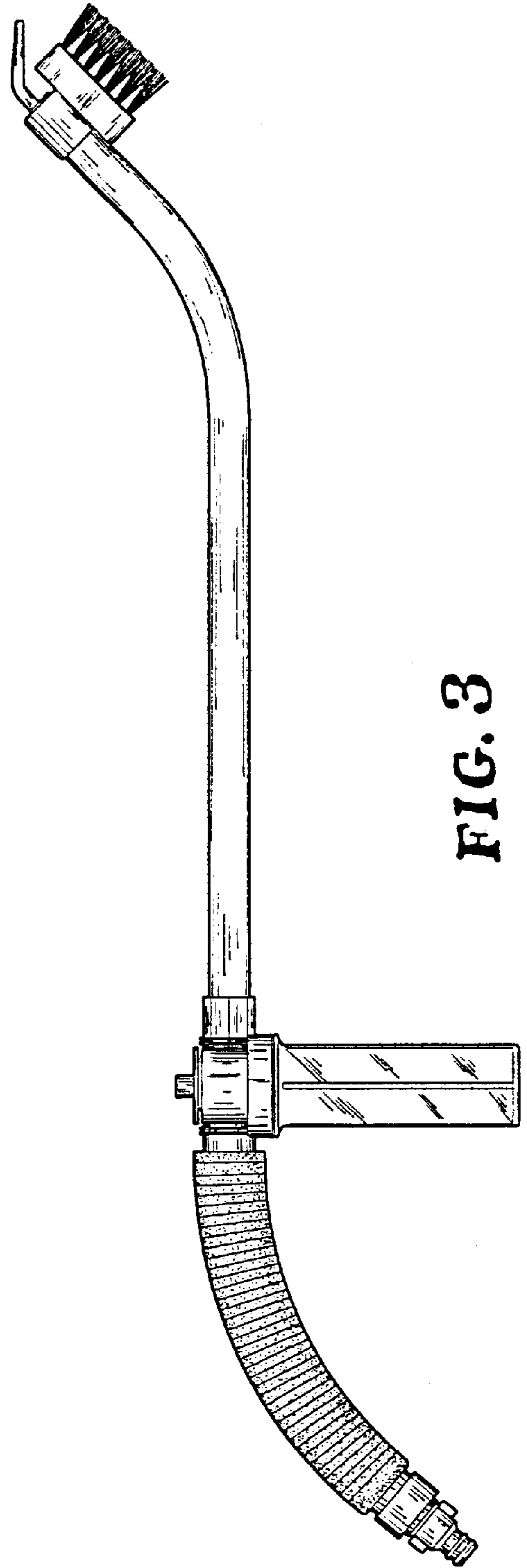
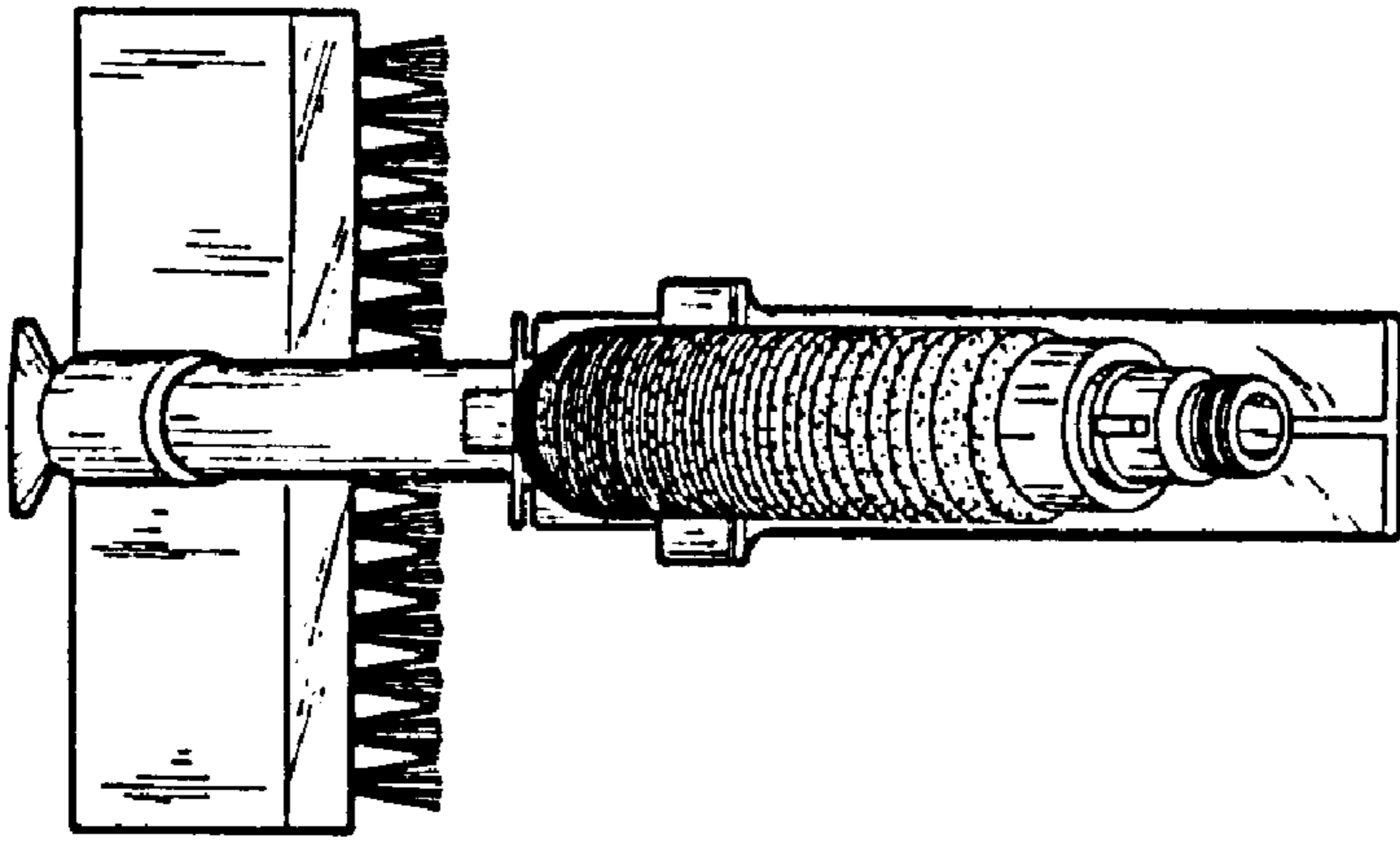
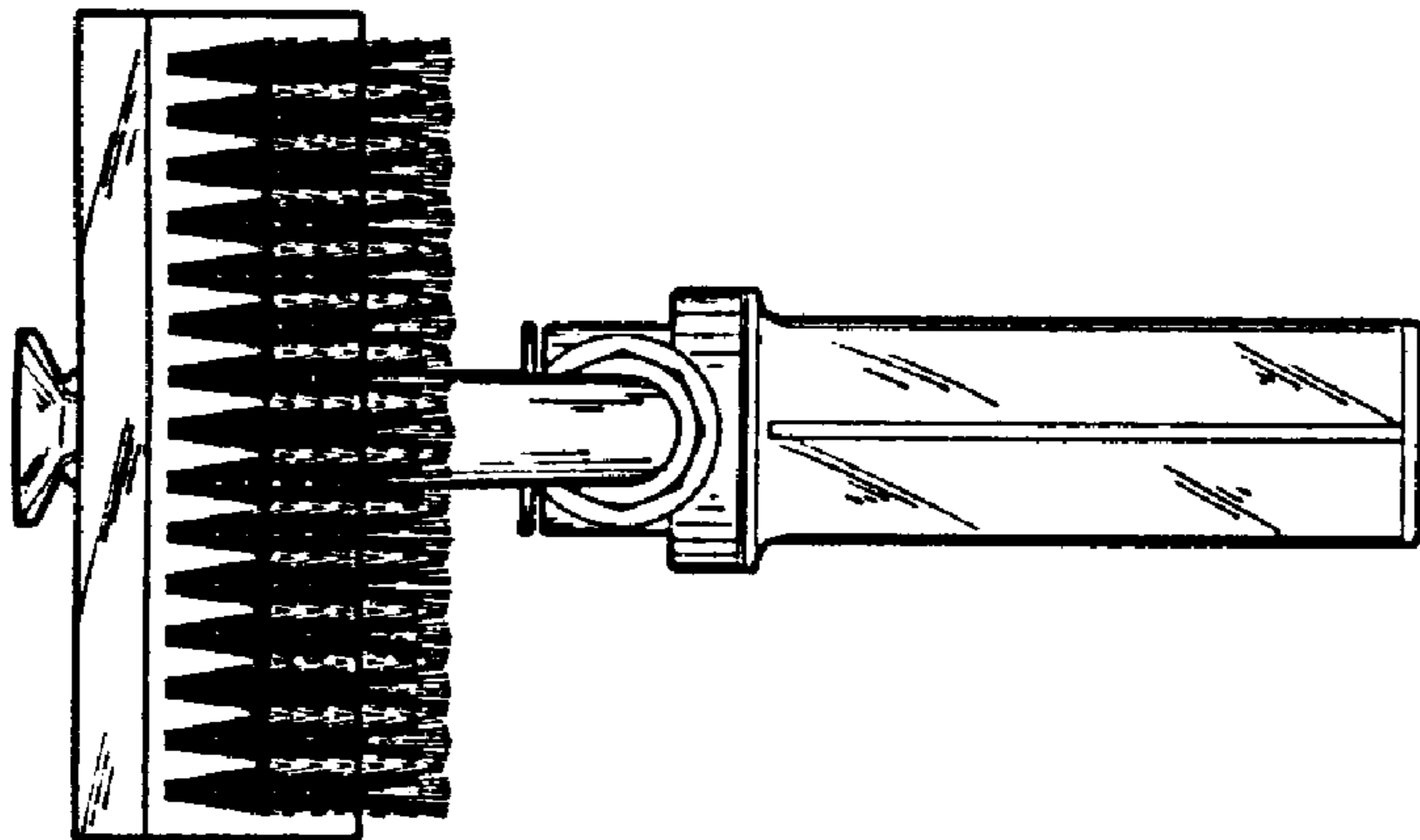


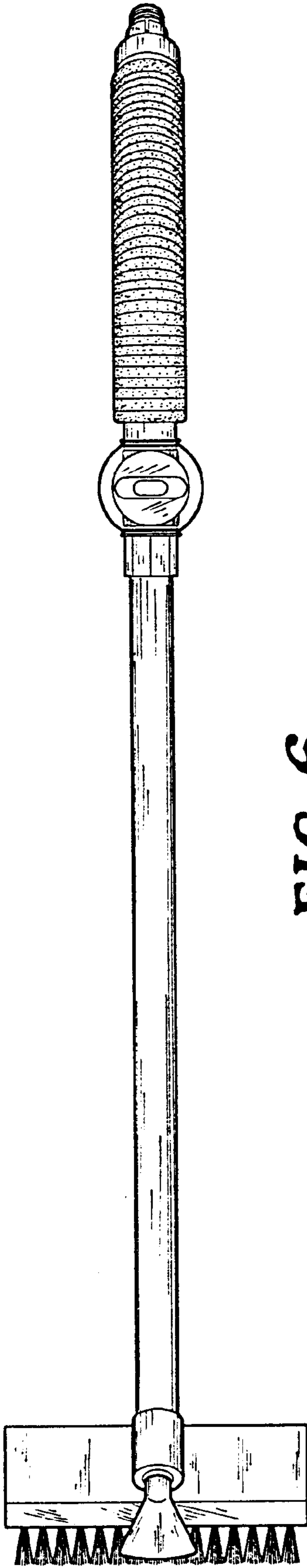
FIG. 3



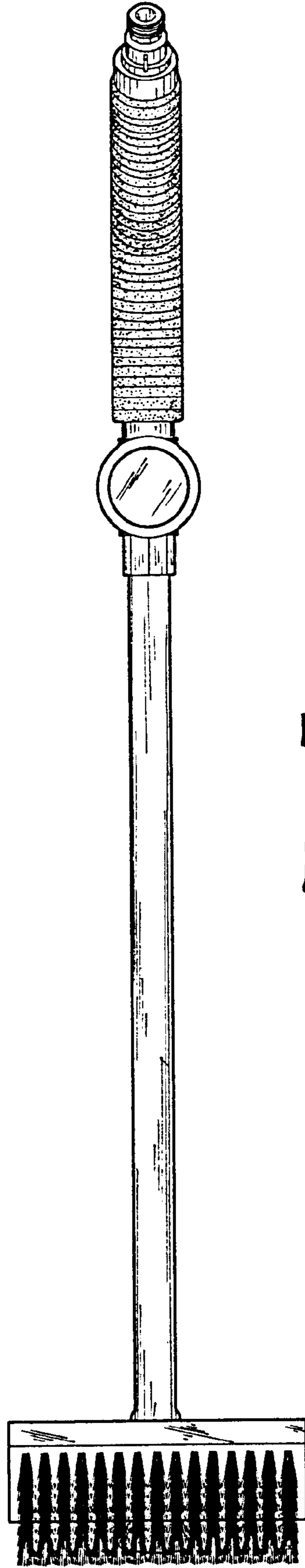
**FIG. 5**



**FIG. 4**



**FIG. 6**



**FIG. 7**