



US00D411364S

# United States Patent [19]

[11] Patent Number: Des. 411,364

Sasaki et al.

[45] Date of Patent: \*\* Jun. 22, 1999

[54] HOUSING FOR A HOIST

Attorney, Agent, or Firm—Pennie & Edmonds LLP

[75] Inventors: Masatoshi Sasaki; Hiroshi Kamiyuse, both of Yamanashi, Japan

[57] CLAIM

The ornamental design for a housing for a hoist, as shown.

[73] Assignee: Kabushiki Kaisha Kito, Yamanashi, Japan

### DESCRIPTION

[\*\*] Term: 14 Years

FIG. 1, is a perspective view of a housing for a hoist, showing our new design; FIG. 2, is a front elevational view of FIG. 1; FIG. 3, is a top plan view of FIG. 1; FIG. 4, is a right side elevational view of FIG. 1; FIG. 5 is a rear elevational view of FIG. 1; FIG. 6 is a bottom plan view of FIG. 1; and, FIG. 7 is a left side elevational view of FIG. 1.

[21] Appl. No.: 29/084,468

The present hoist body is a housing for an electric chain hoist which can be used for hoisting various kinds of loads by use of a loading chain to be attached to the lock portion formed at the bottom center of this body.

[22] Filed: Mar. 3, 1998

The present hoist body is characterized by an ornamental shape in which the housing is generally formed in a shape of a rectangular parallelepiped defined by rectilinear outlines having a length in the horizontal direction; and the external surfaces are finished into smooth and plain surfaces with gently curved corners along intercrossed surfaces and with arched cutouts at the eight corners of the housing, thereby producing a simplified, neat, and elegant appearance. To harmonize such a rectangular parallelepiped, cooling fins are arranged in the horizontal direction in the same planes as the respective front and rear surfaces defined between the top and bottom surfaces of the housing, and the hook is located in the relatively deep recess in the top surface at the center, and, in addition, to harmonize the form of the cooling fins the vents of the motor cover at the left side of the housing are arranged parallel to one another in the horizontal direction, in substantially the same plane as the side surface, so as to form a unique horizontal stripe pattern.

### [30] Foreign Application Priority Data

Sep. 19, 1997 [JP] Japan ..... 9-68143

[51] LOC (6) Cl. .... 12-05

[52] U.S. Cl. .... D34/33

[58] Field of Search ..... D34/33, 28; 254/382, 254/374, 316, 362, 356, 372, 380, 901; 294/82.11; D12/162; 414/467; 280/490.1

### [56] References Cited

#### U.S. PATENT DOCUMENTS

- D. 188,729 8/1960 Hunt ..... D34/33
- D. 238,861 2/1976 Cavalier ..... D34/33
- D. 307,965 5/1990 Eley et al. .... D34/33
- D. 309,969 8/1990 Tamura ..... D34/33
- 3,190,617 6/1965 Burrows .
- 4,605,111 8/1986 Ohno et al. .... 254/372 X
- 4,884,783 12/1989 McIntoch et al. .... 254/356
- 5,170,995 12/1992 Bitsch et al. .... 254/380

#### FOREIGN PATENT DOCUMENTS

89 01 809 5 3/1989 Germany .

Primary Examiner—Susan J. Lucas

Assistant Examiner—Cynthia E Ramirez

1 Claim, 3 Drawing Sheets

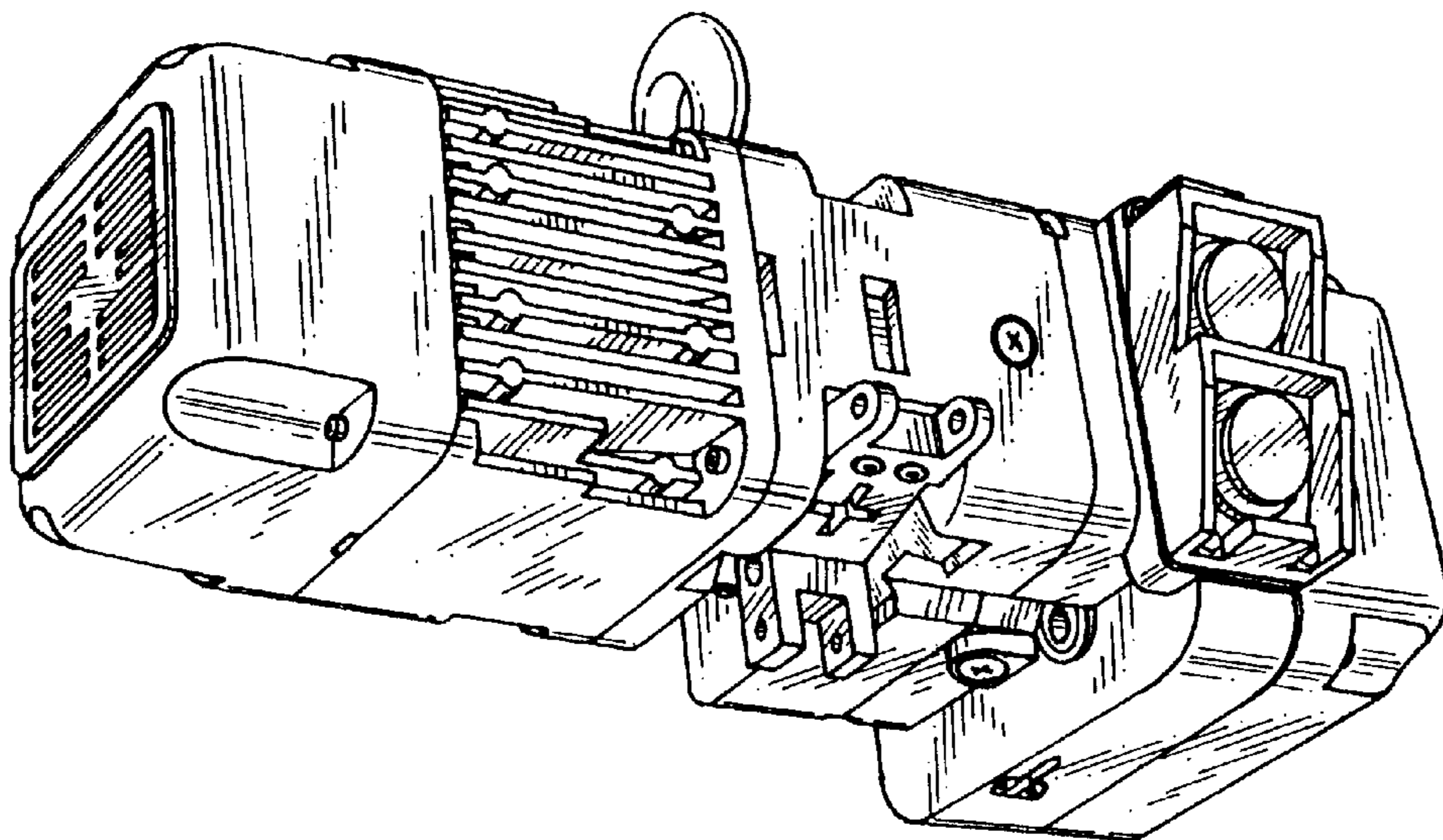


Fig. 1

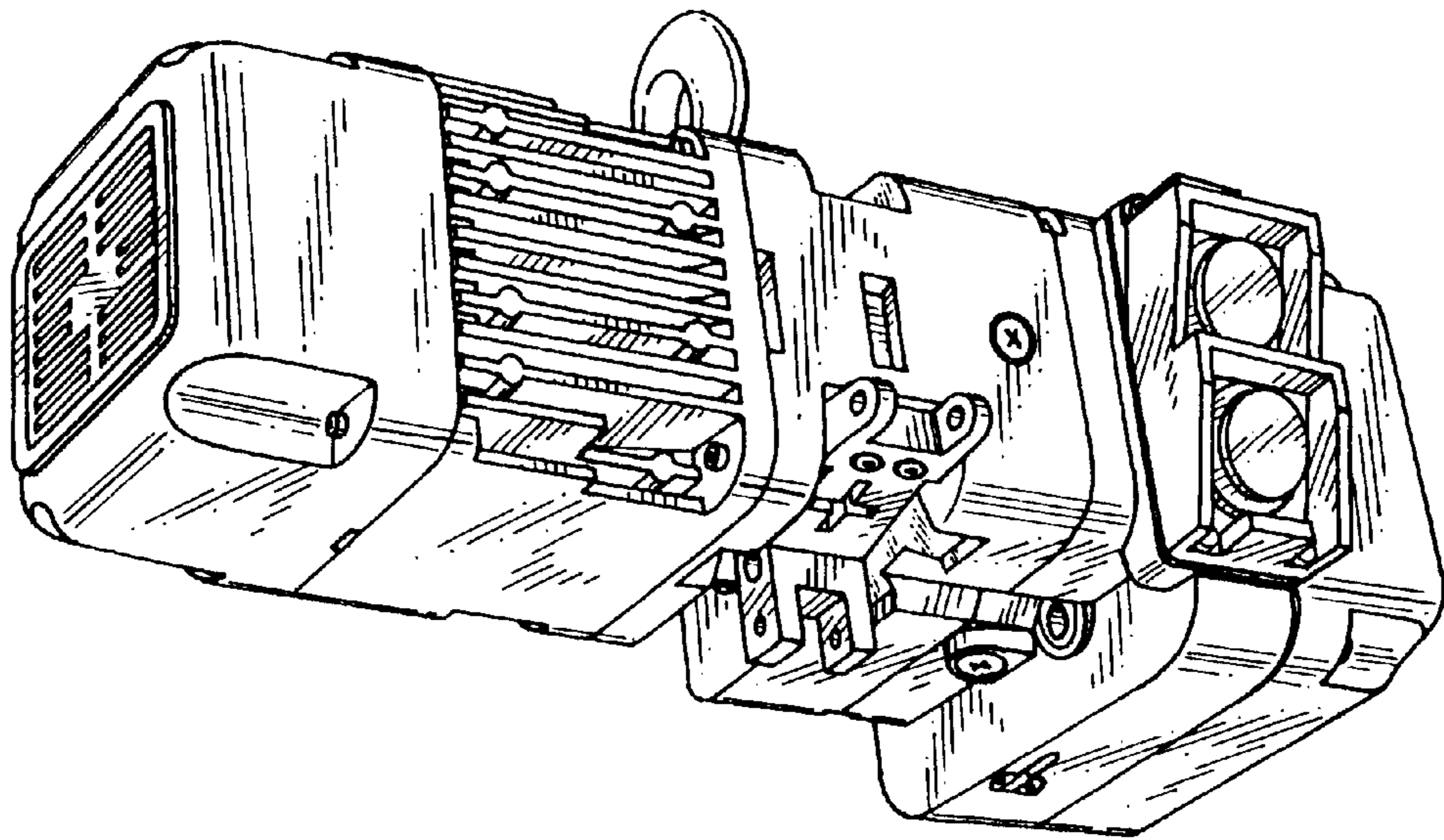


Fig. 2

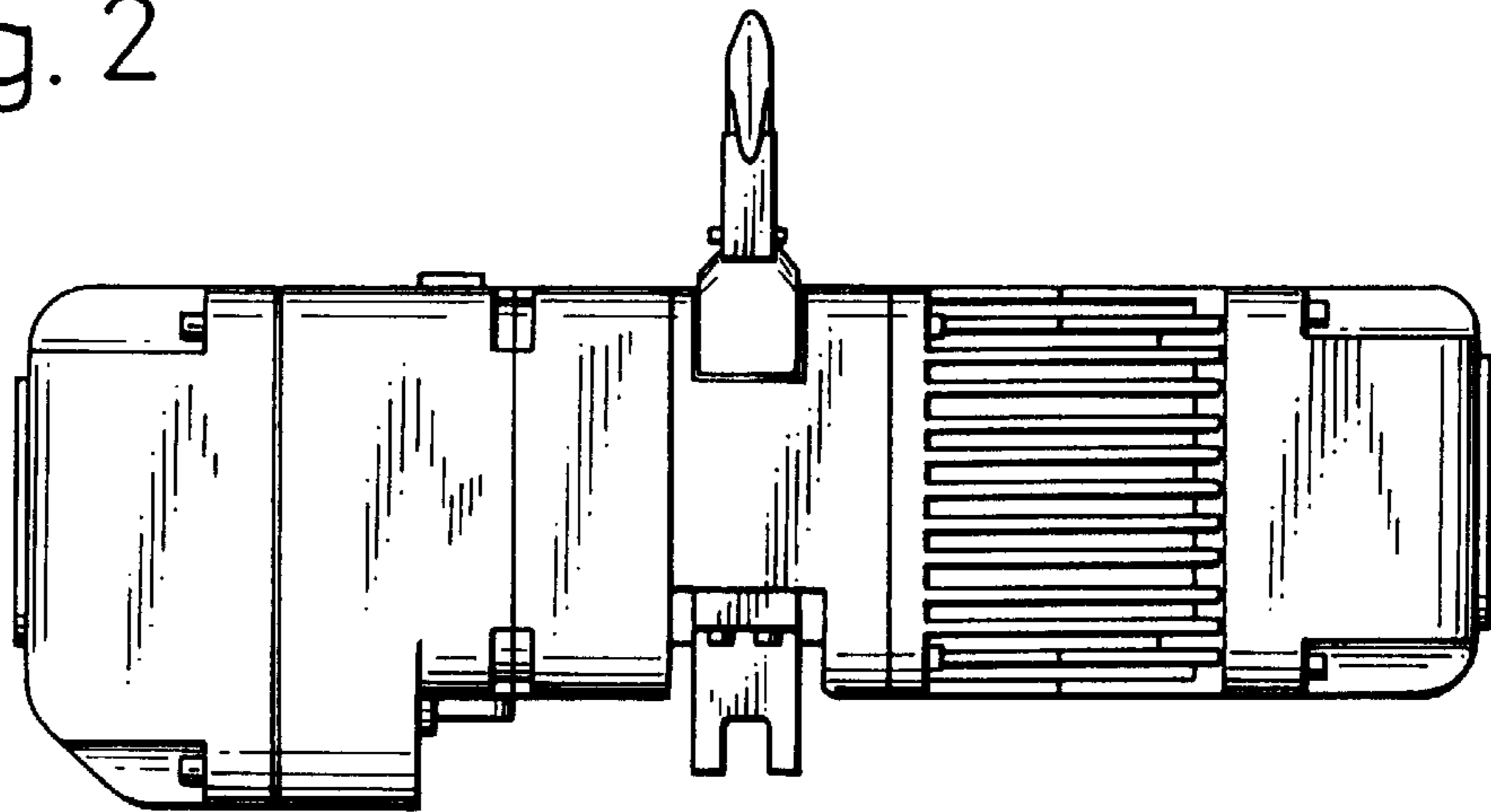


Fig. 3

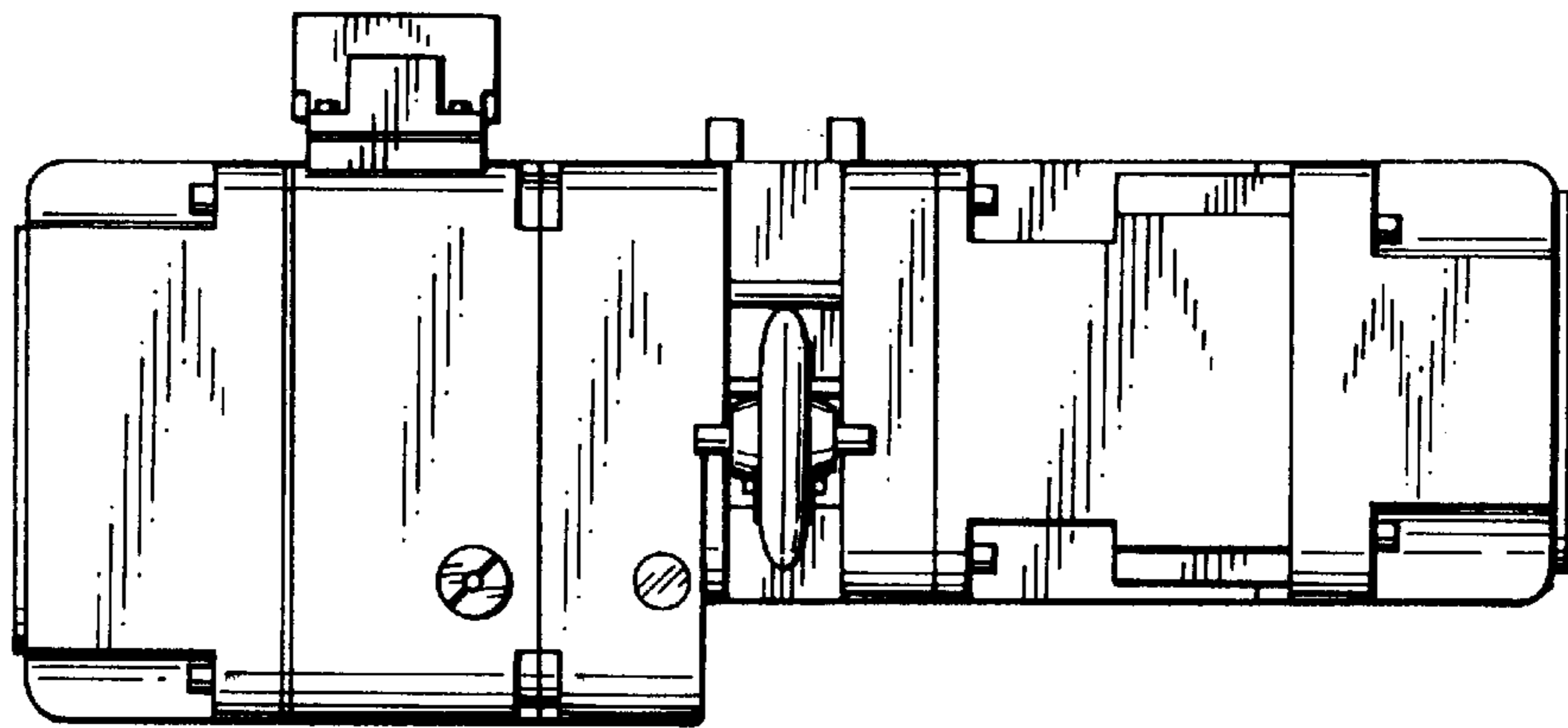


Fig. 4

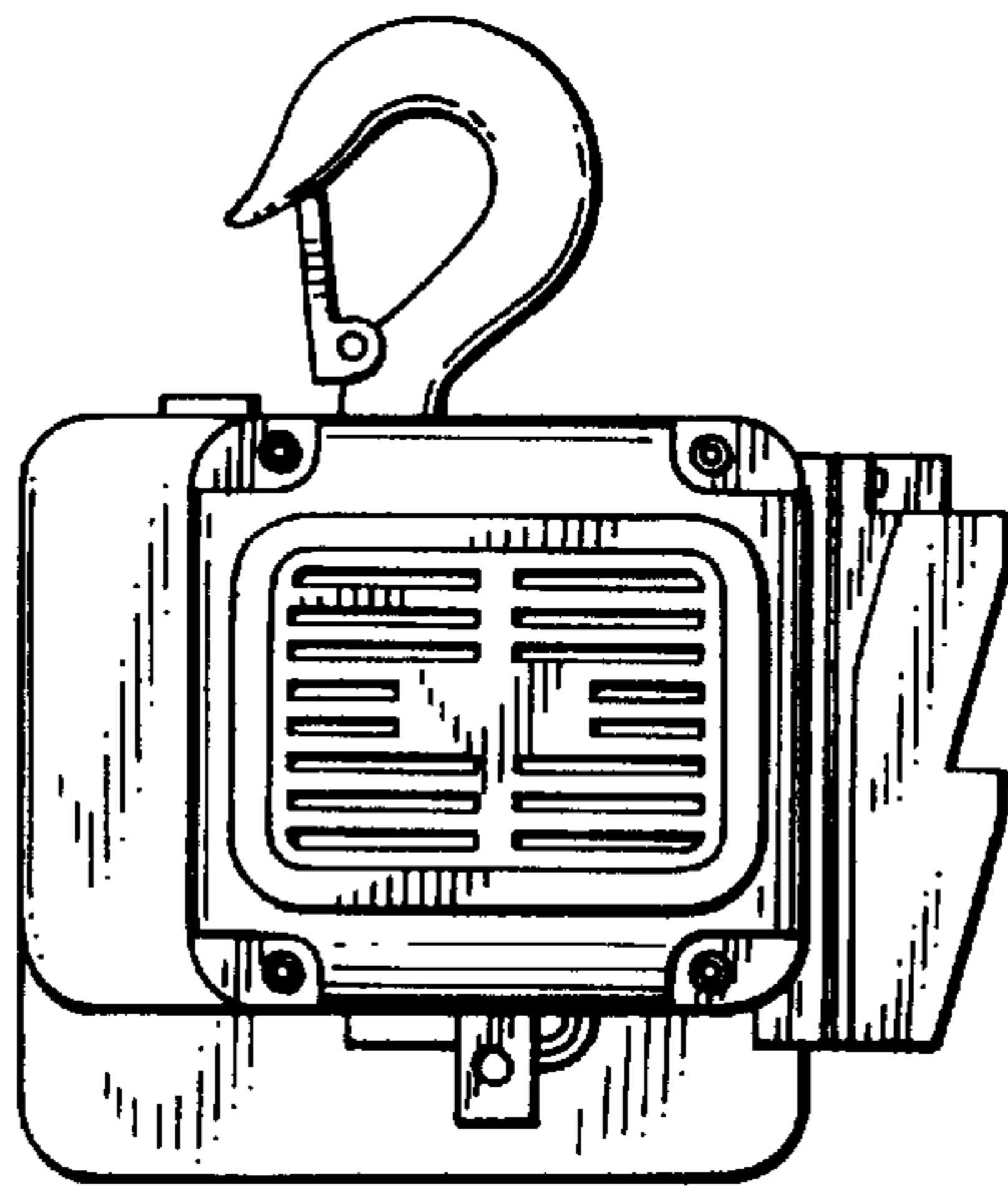


Fig. 5

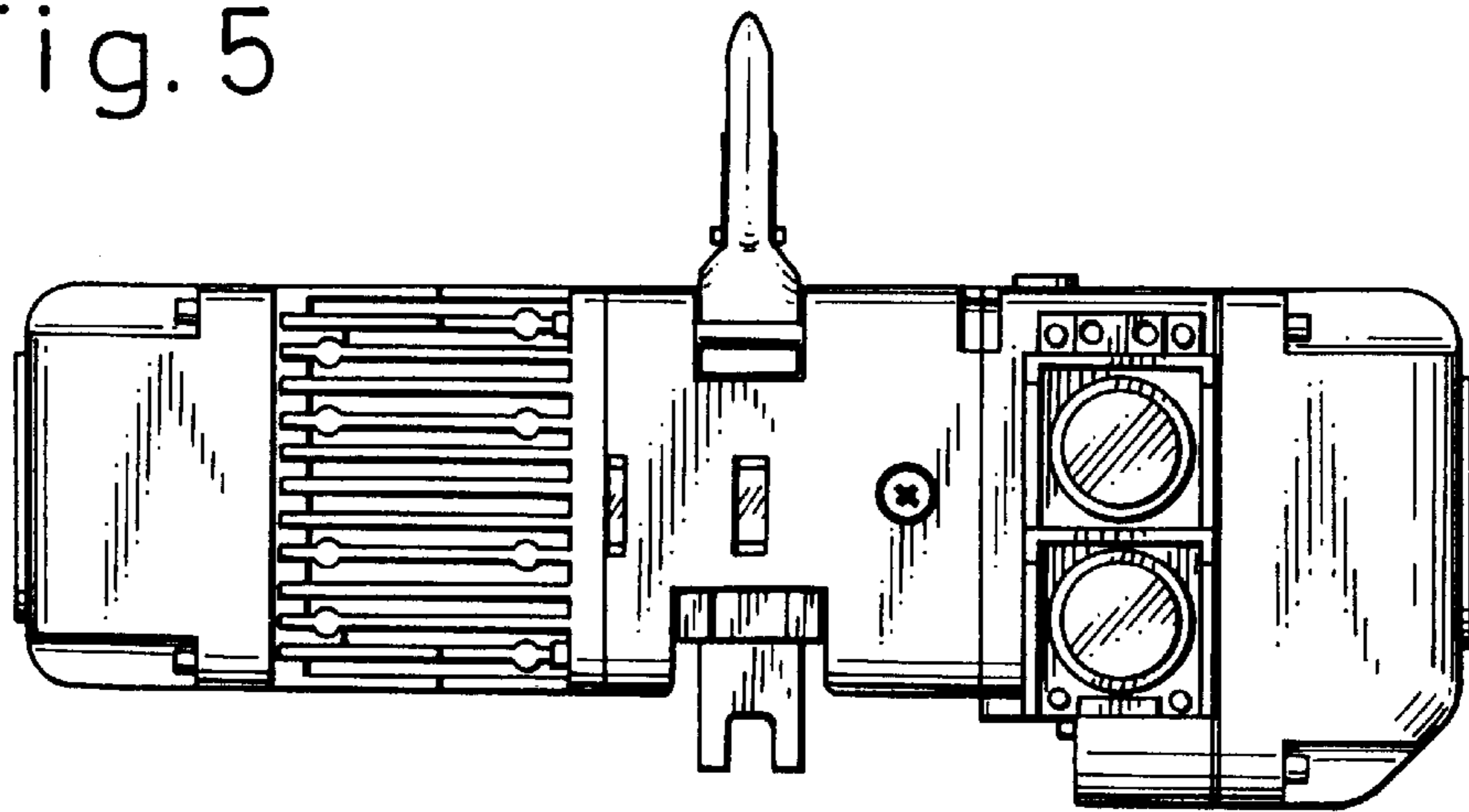


Fig. 6

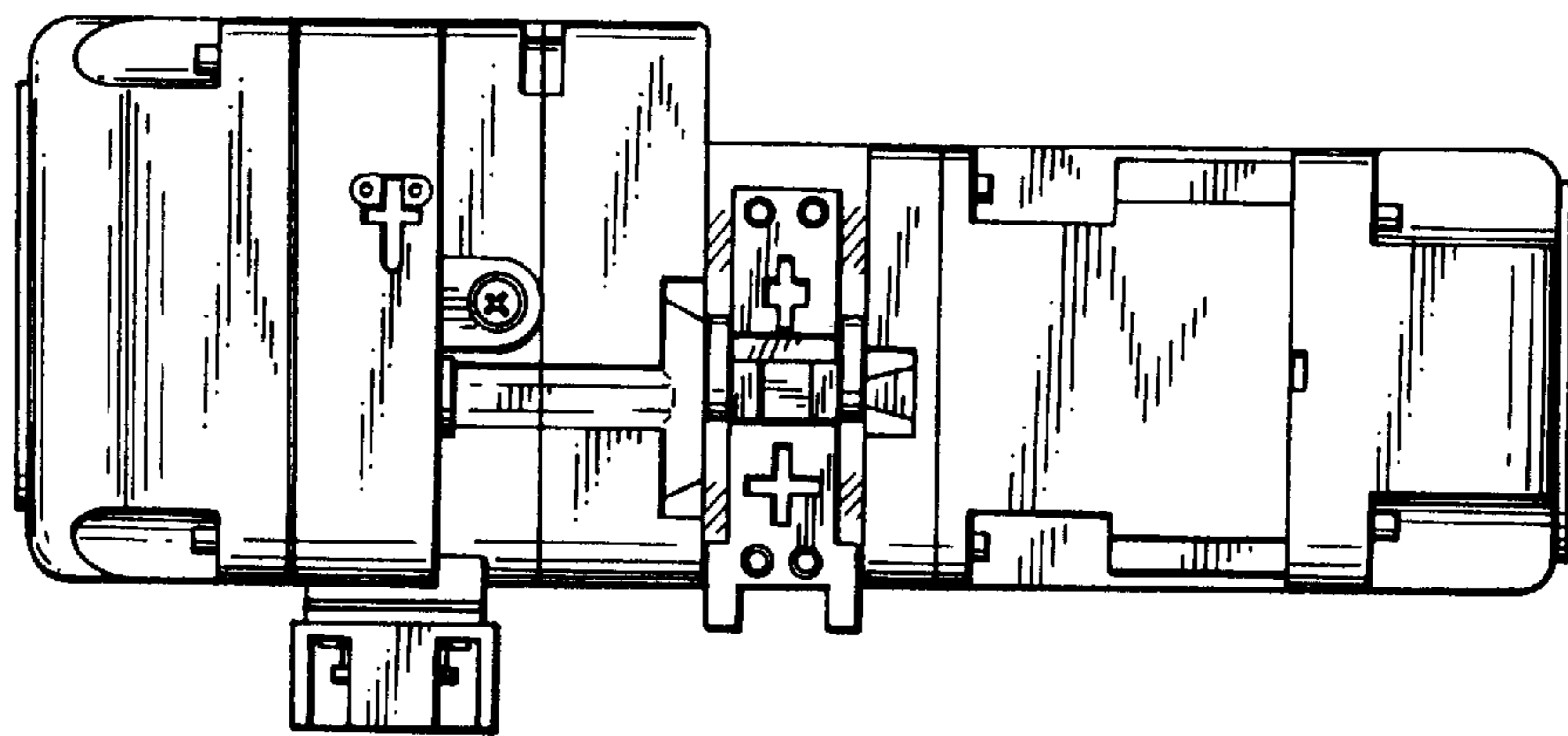


Fig. 7

