



US00D411362S

United States Patent [19]
Murakami

[11] **Patent Number: Des. 411,362**

[45] **Date of Patent: ** Jun. 22, 1999**

[54] **JOINT**

[75] Inventor: **Takeyasu Murakami**, Shizuoka, Japan

[73] Assignee: **Yazaki Industrial Chemical Co., Ltd.**,
Japan

[**] Term: **14 Years**

[21] Appl. No.: **29/079,899**

[22] Filed: **Nov. 18, 1997**

[51] **LOC (6) Cl.** **12-02**

[52] **U.S. Cl.** **D34/27**

[58] **Field of Search** D34/12-27; 403/205,
403/217, 219, 170, 176; 280/79.3

[56] **References Cited**

U.S. PATENT DOCUMENTS

D. 347,506 5/1994 Murakami et al. D34/27
5,727,897 3/1998 Lin 403/205

Primary Examiner—Kay H. Chin
Attorney, Agent, or Firm—Rader, Fishman & Grauer;
Ronald P. Kananen

[57] **CLAIM**

The ornamental design for a joint, as shown and described.

DESCRIPTION

FIG. 1 is a front perspective view of a joint showing my new design;

FIG. 2 is a top plan view thereof;

FIG. 3 is a front elevational view thereof;

FIG. 4 is a bottom end view thereof;

FIG. 5 is a left side elevational view thereof;

FIG. 6 is a right side elevational view thereof;

FIG. 7 is a sectional view along line 7—7 of FIG. 2; and,

FIG. 8 is a front perspective view showing how to use as joint.

The rear elevation is a mirror image of the front elevation shown in FIG. 3.

1 Claim, 4 Drawing Sheets

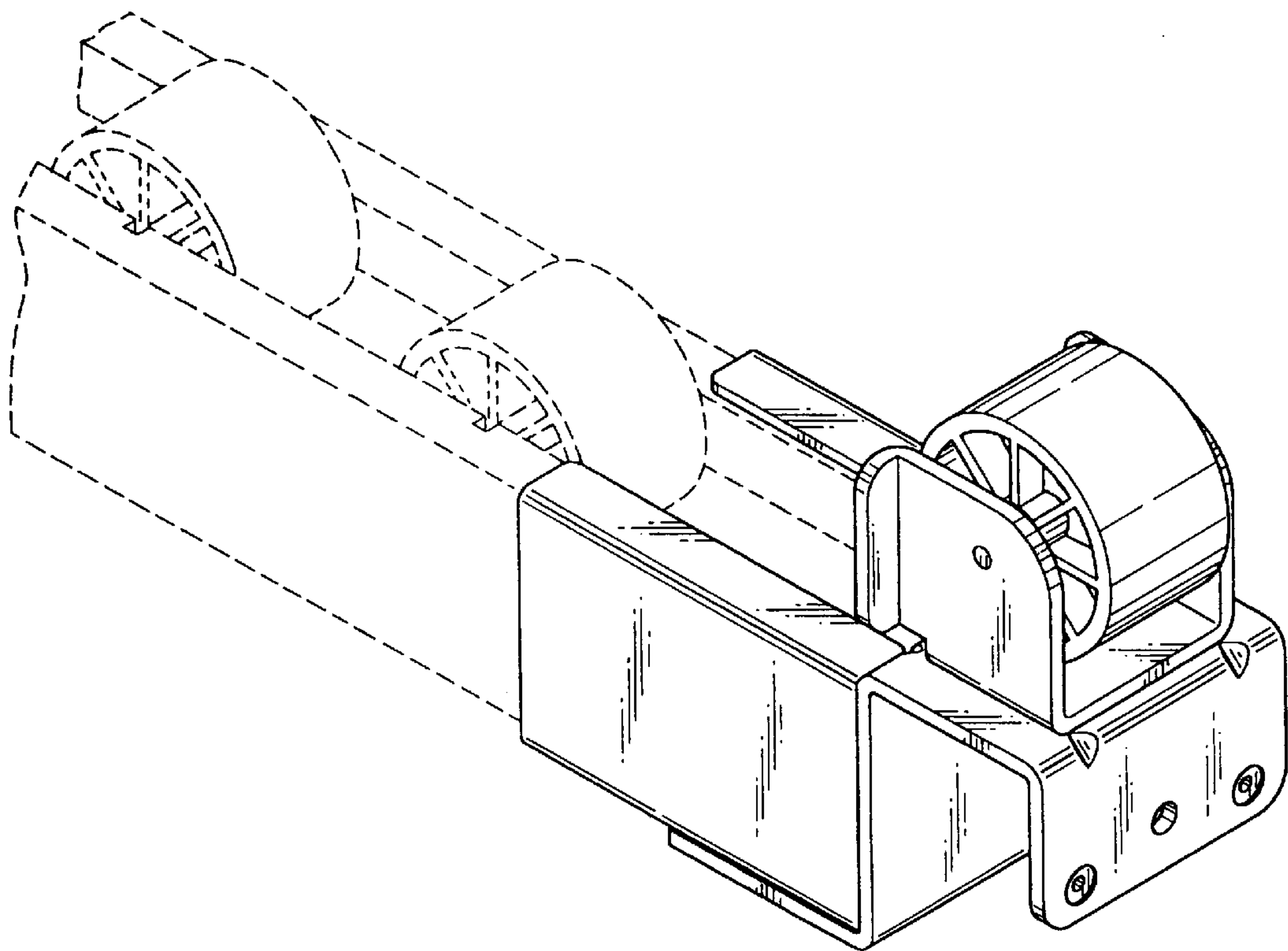


FIG. 1

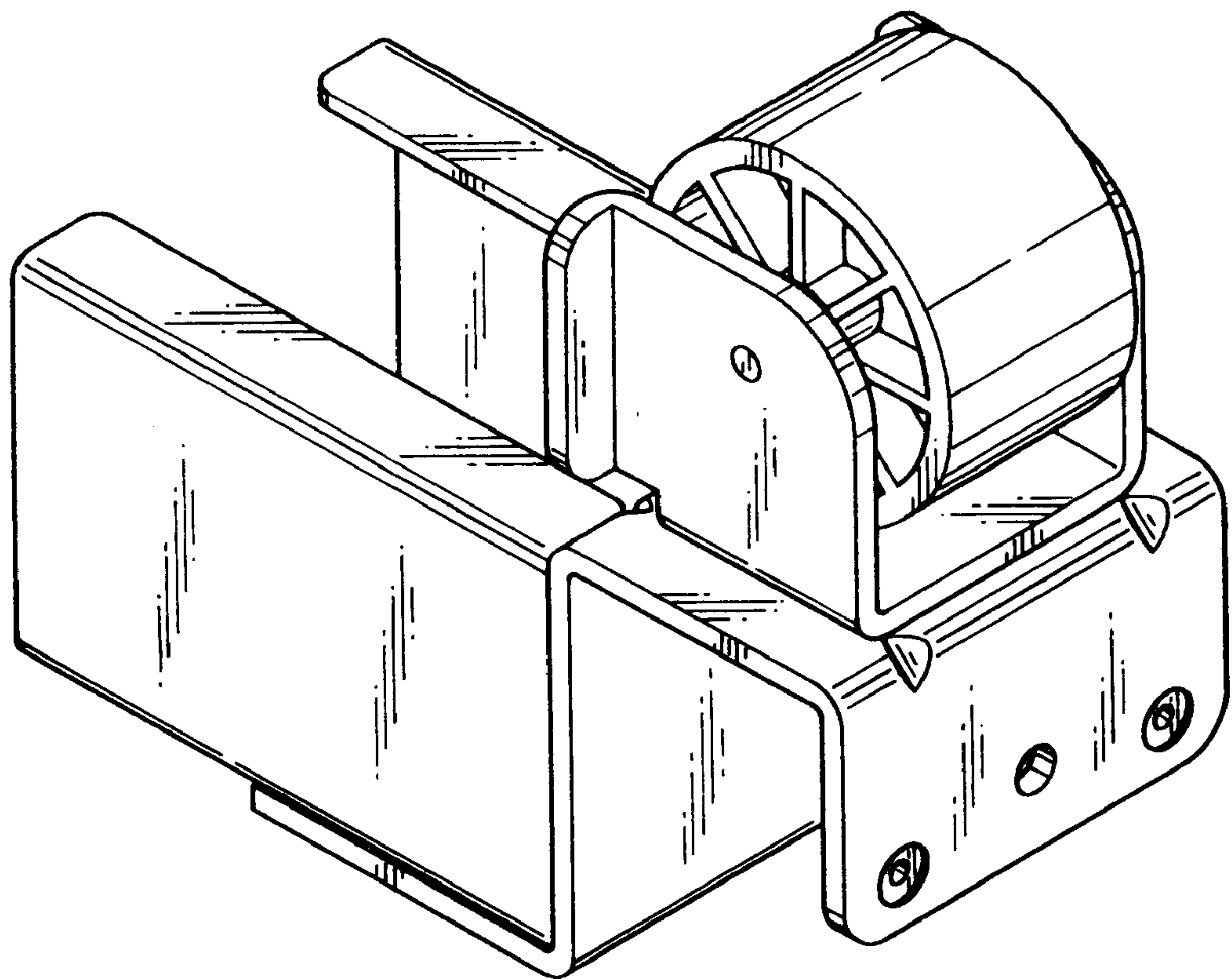


FIG. 2

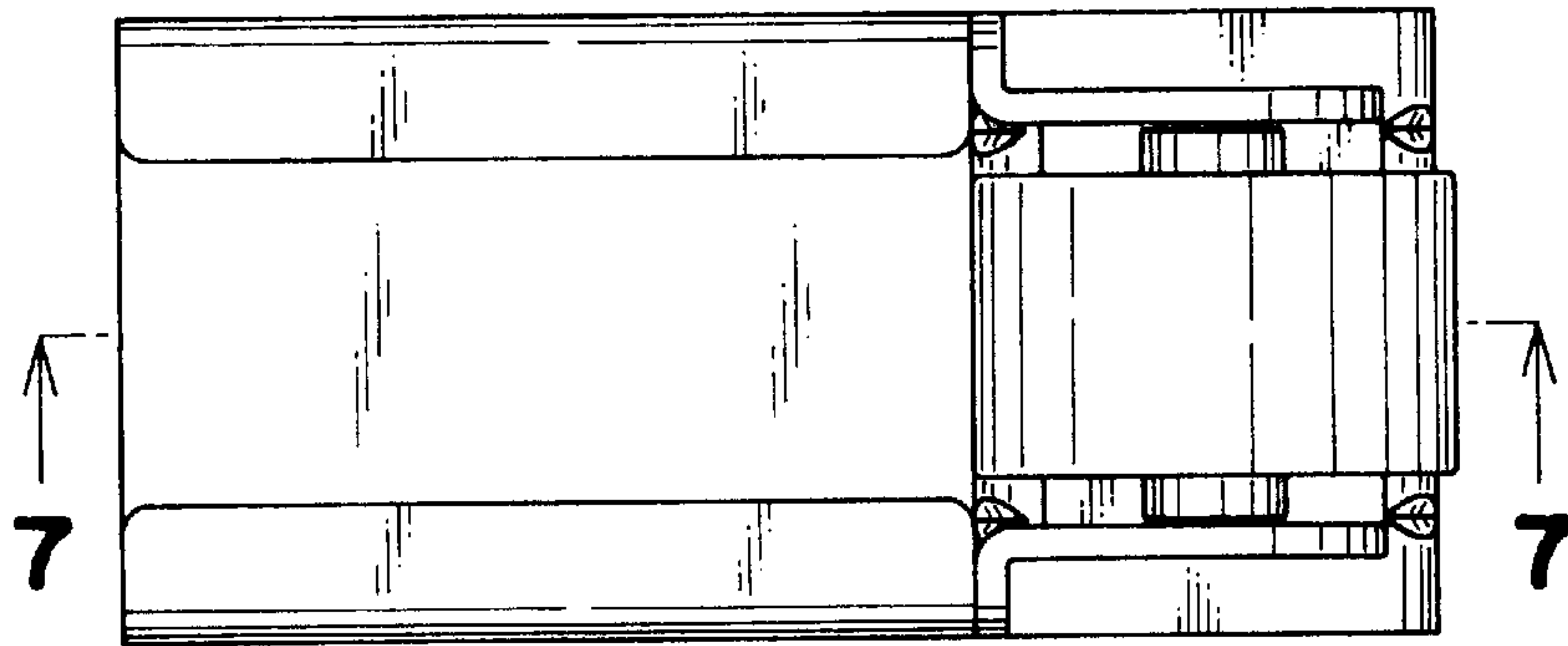


FIG. 3

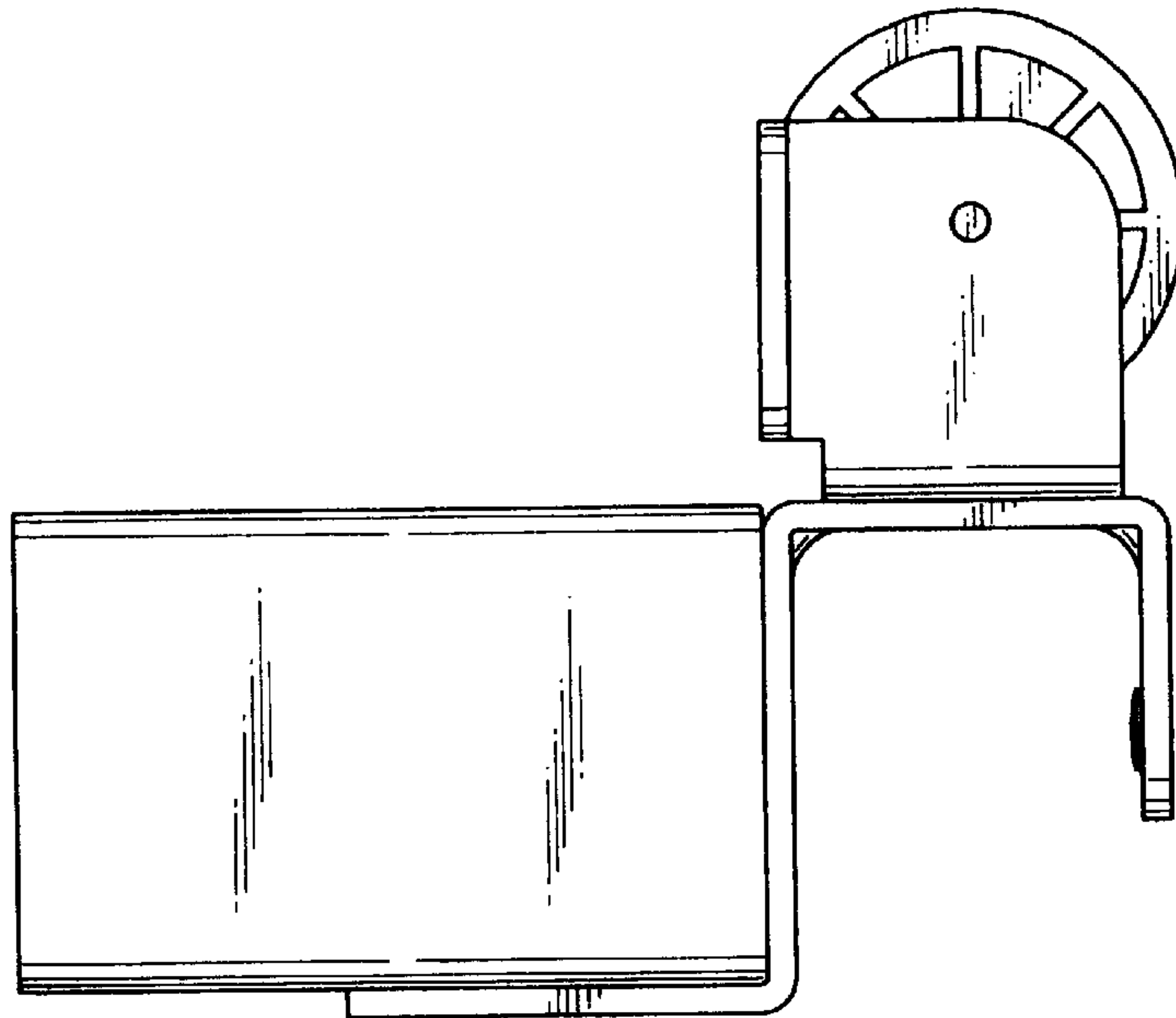


FIG. 4

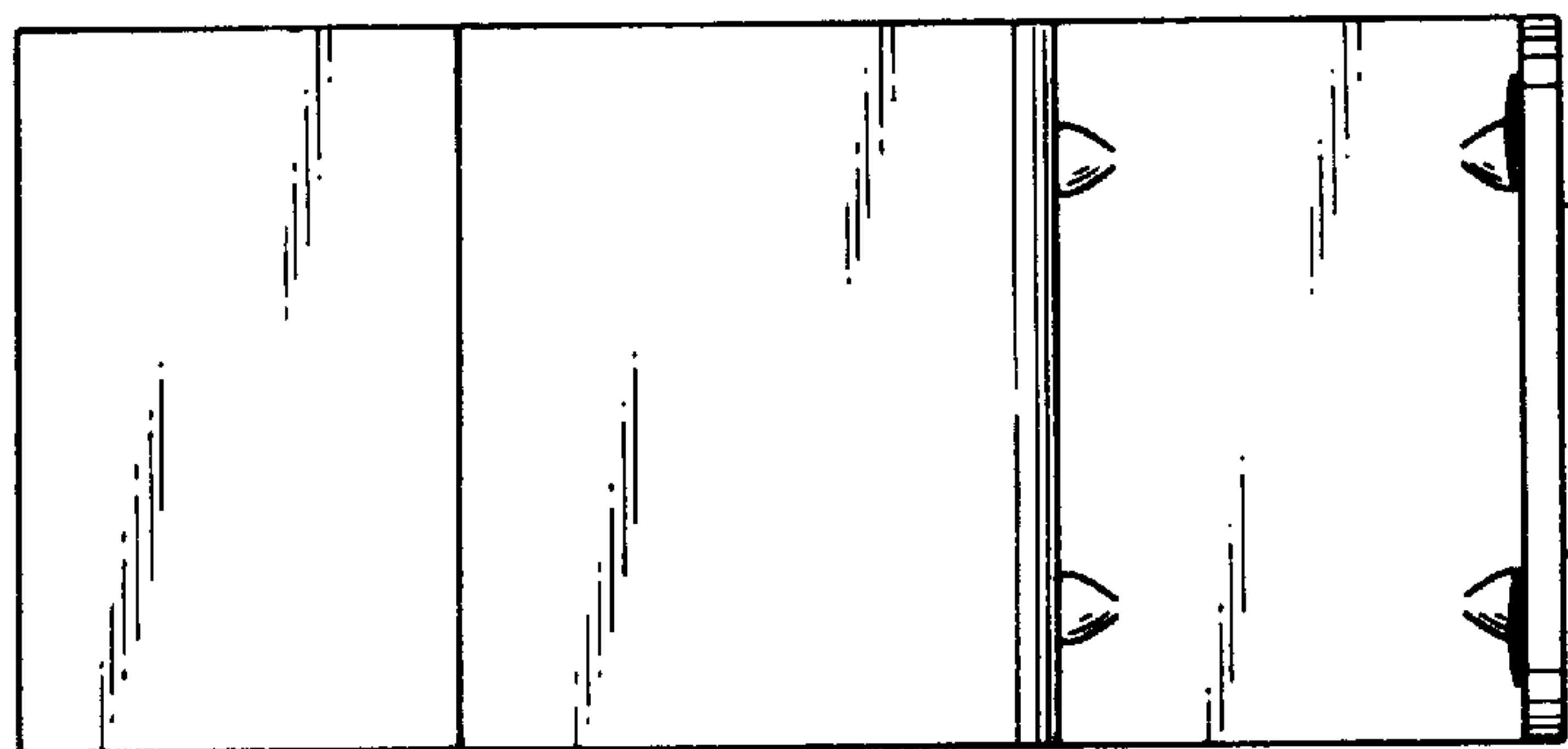


FIG. 5

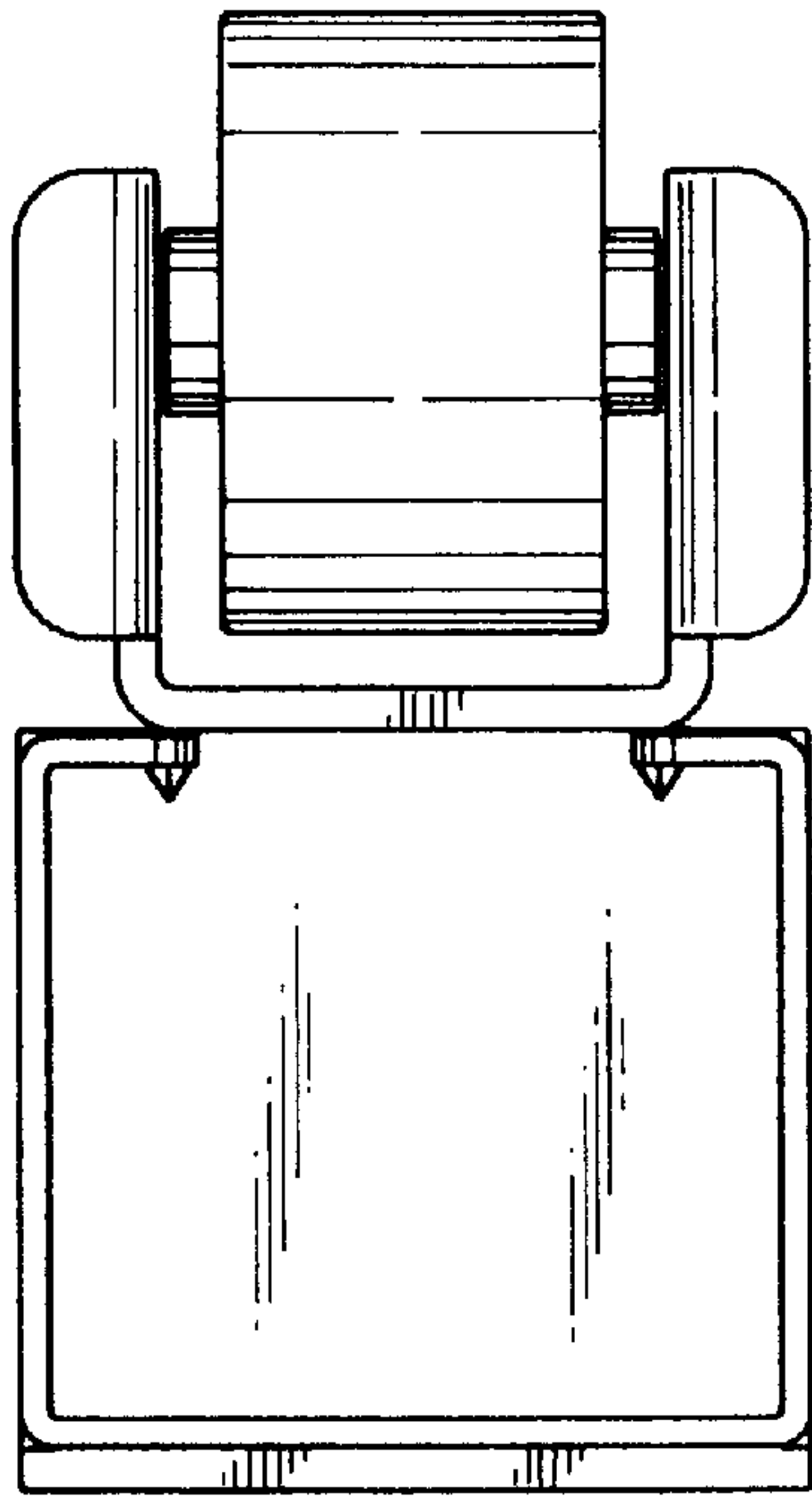


FIG. 6

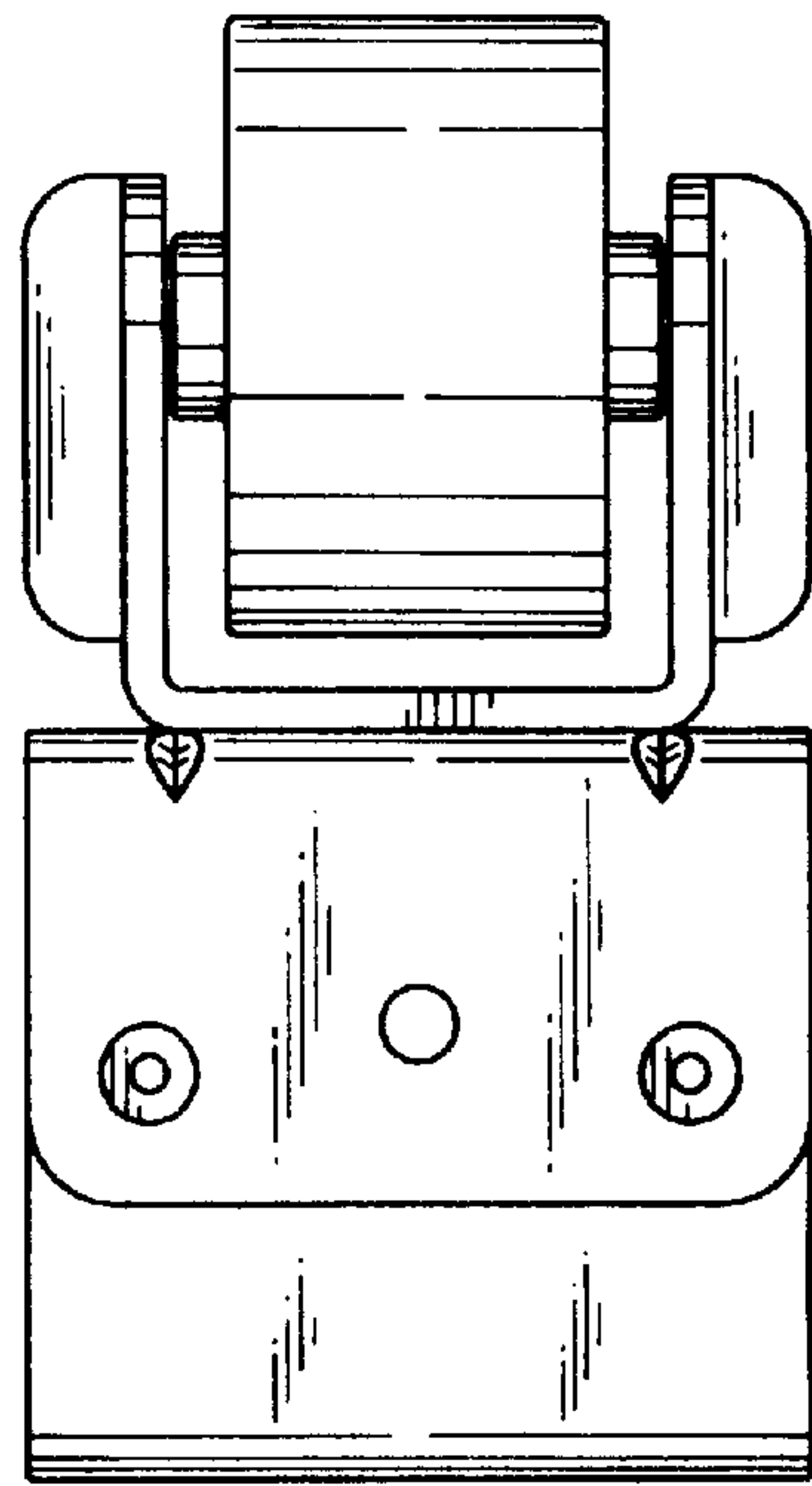


FIG. 7

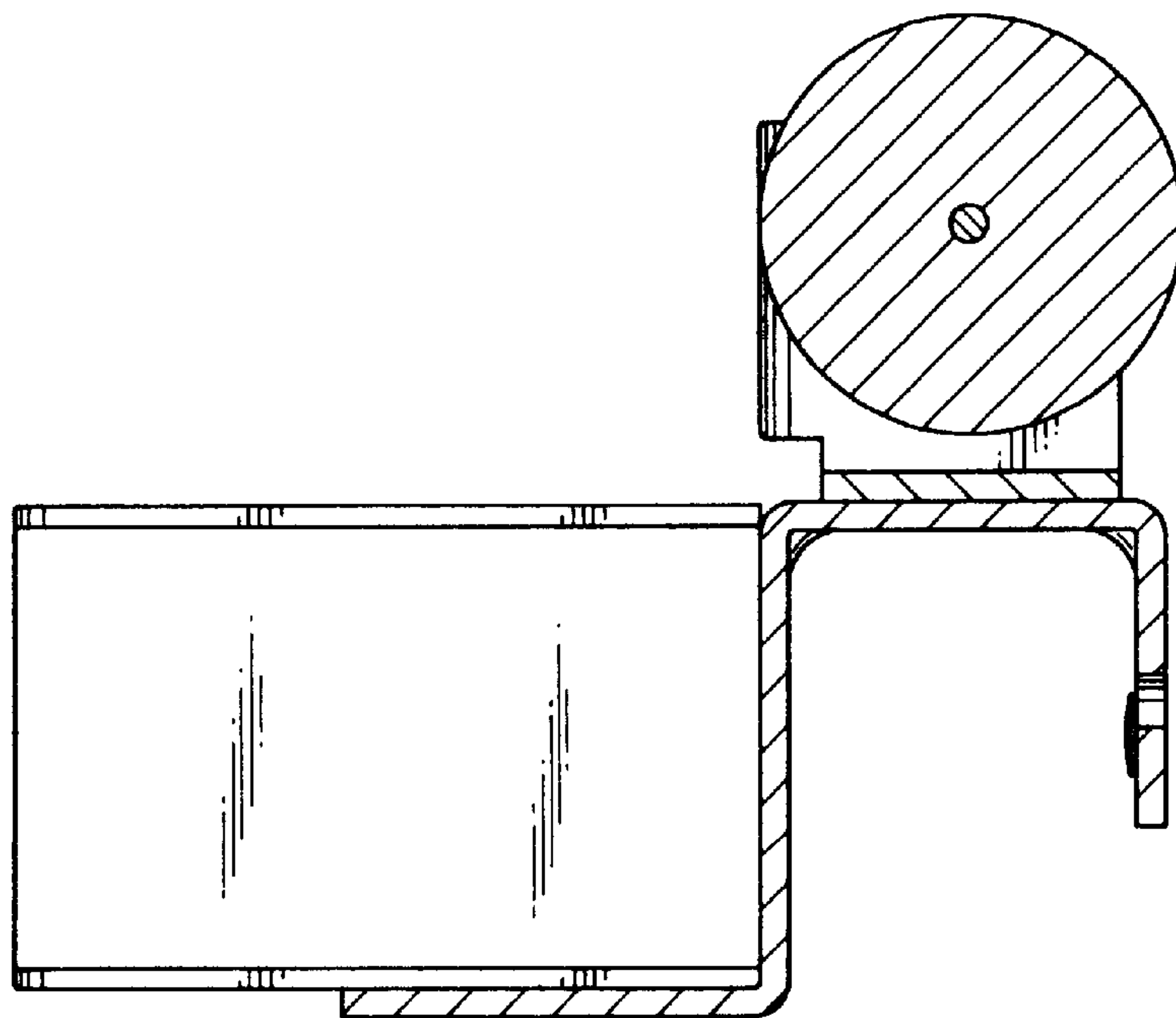


FIG. 8

