



US00D411361S

United States Patent [19] Villarreal

[11] **Patent Number: Des. 411,361**
[45] **Date of Patent: ** Jun. 22, 1999**

[54] **BAG HOLDING HANDCART**

[76] Inventor: **Reymundo Villarreal**, 6912 Ilex,
Houston, Tex. 77087

[**] Term: **14 Years**

[21] Appl. No.: **29/080,186**

[22] Filed: **Dec. 4, 1997**

[51] **LOC (6) Cl.** **12-02**

[52] **U.S. Cl.** **D34/24; D34/6**

[58] **Field of Search** D34/12-27, 1,
D34/5, 6; 280/47.2, 47.26, 47.19, 47.17,
79.11; 248/97, 98, 95

[56] **References Cited**

U.S. PATENT DOCUMENTS

D. 183,960 11/1958 Carroll D34/24

D. 205,284 7/1966 Bonglorno D34/17
D. 223,682 5/1972 Aldape D34/6
D. 243,593 3/1977 Smith, Sr. et al. D34/26
3,627,344 12/1971 Rizzuto 280/47.2

Primary Examiner—Kay H. Chin

[57] **CLAIM**

The ornamental design for a bag holding handcart, as shown.

DESCRIPTION

FIG. 1 is a front elevational view of the bag holding handcart;

FIG. 2 is a rear elevational view;

FIG. 3 is a left side elevational view;

FIG. 4 is a right side elevational view;

FIG. 5 is a top plan view; and,

FIG. 6 is a bottom plan view.

1 Claim, 3 Drawing Sheets

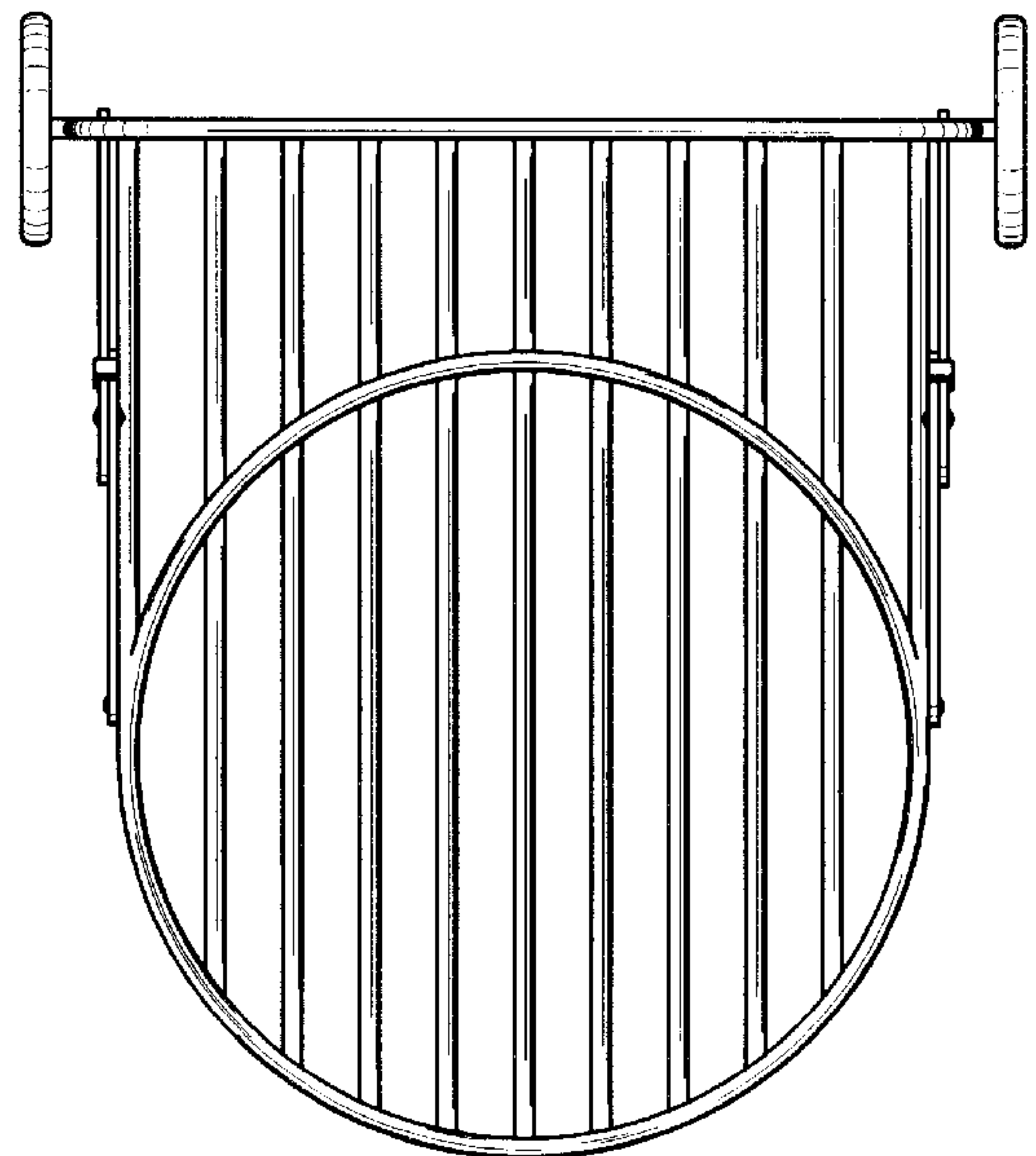
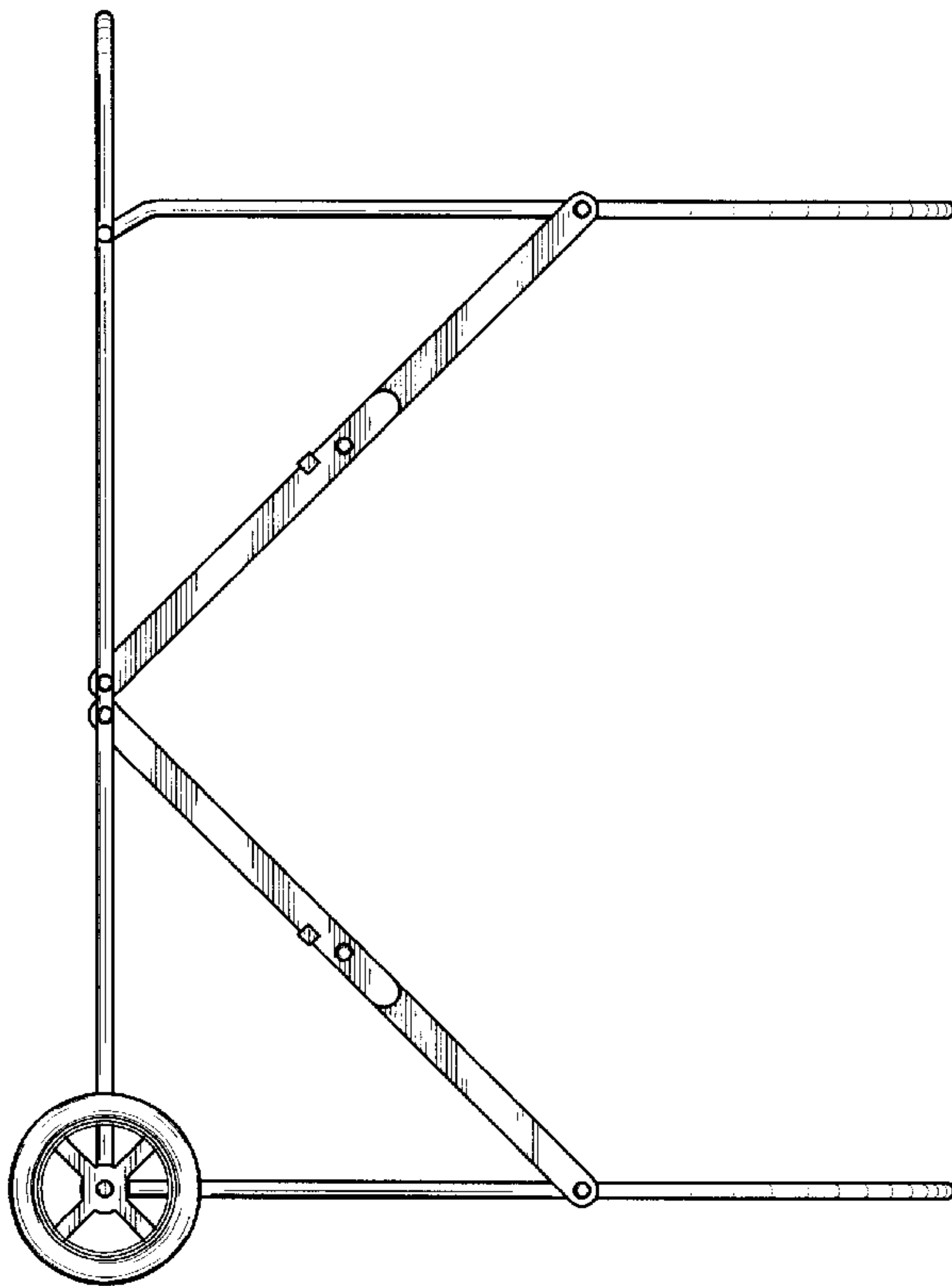


FIG. 1

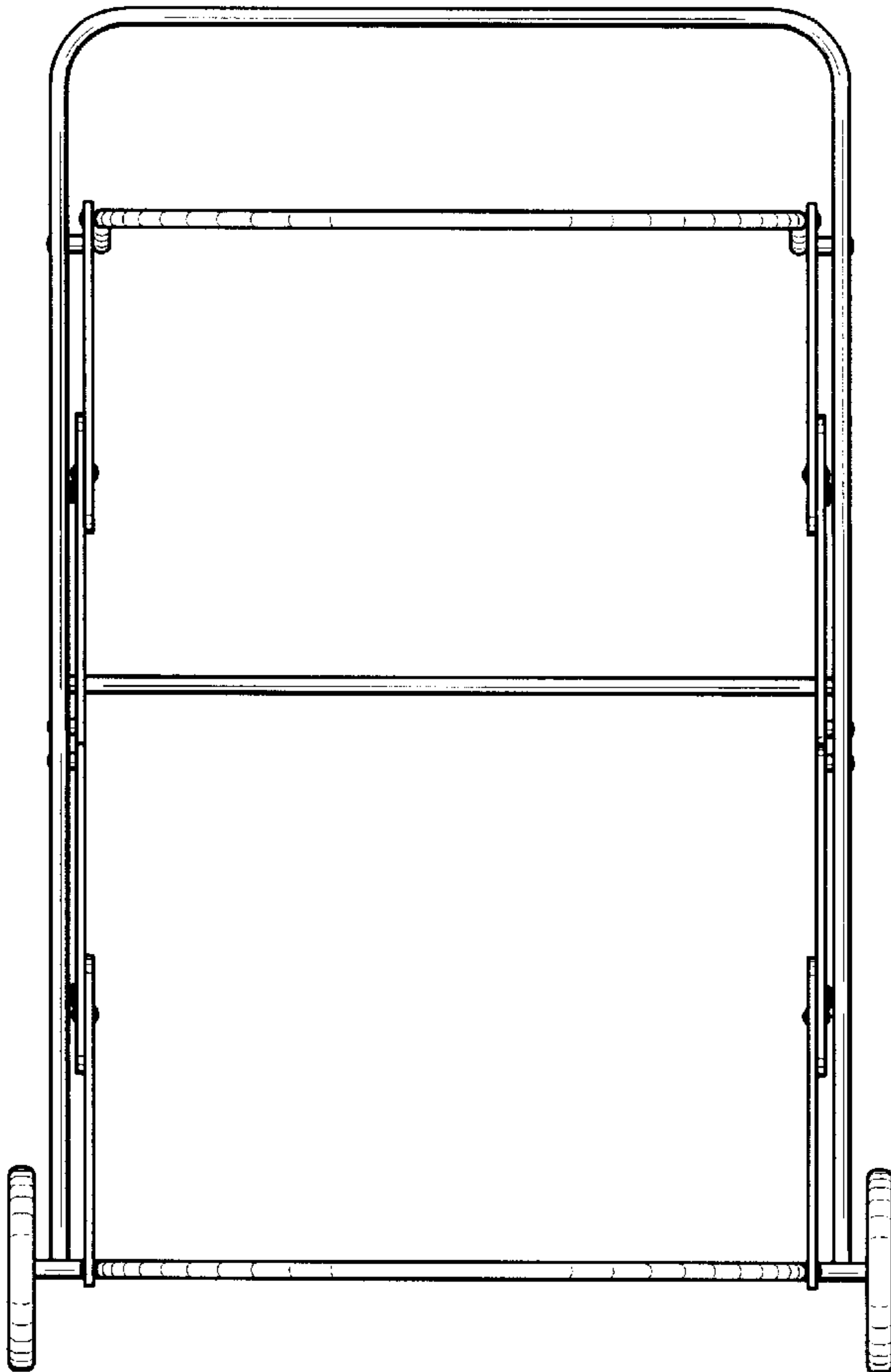


FIG. 2

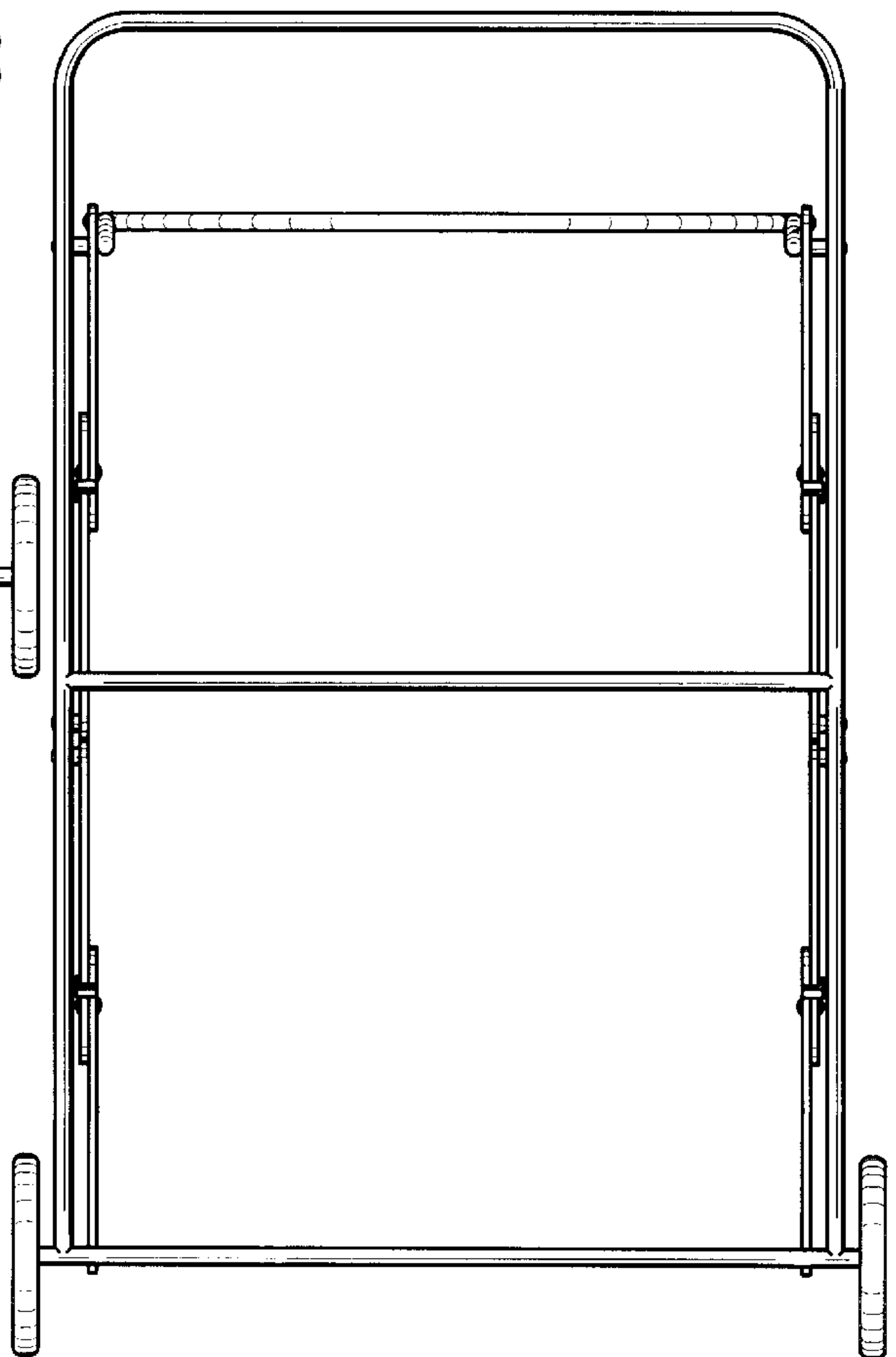


FIG. 3

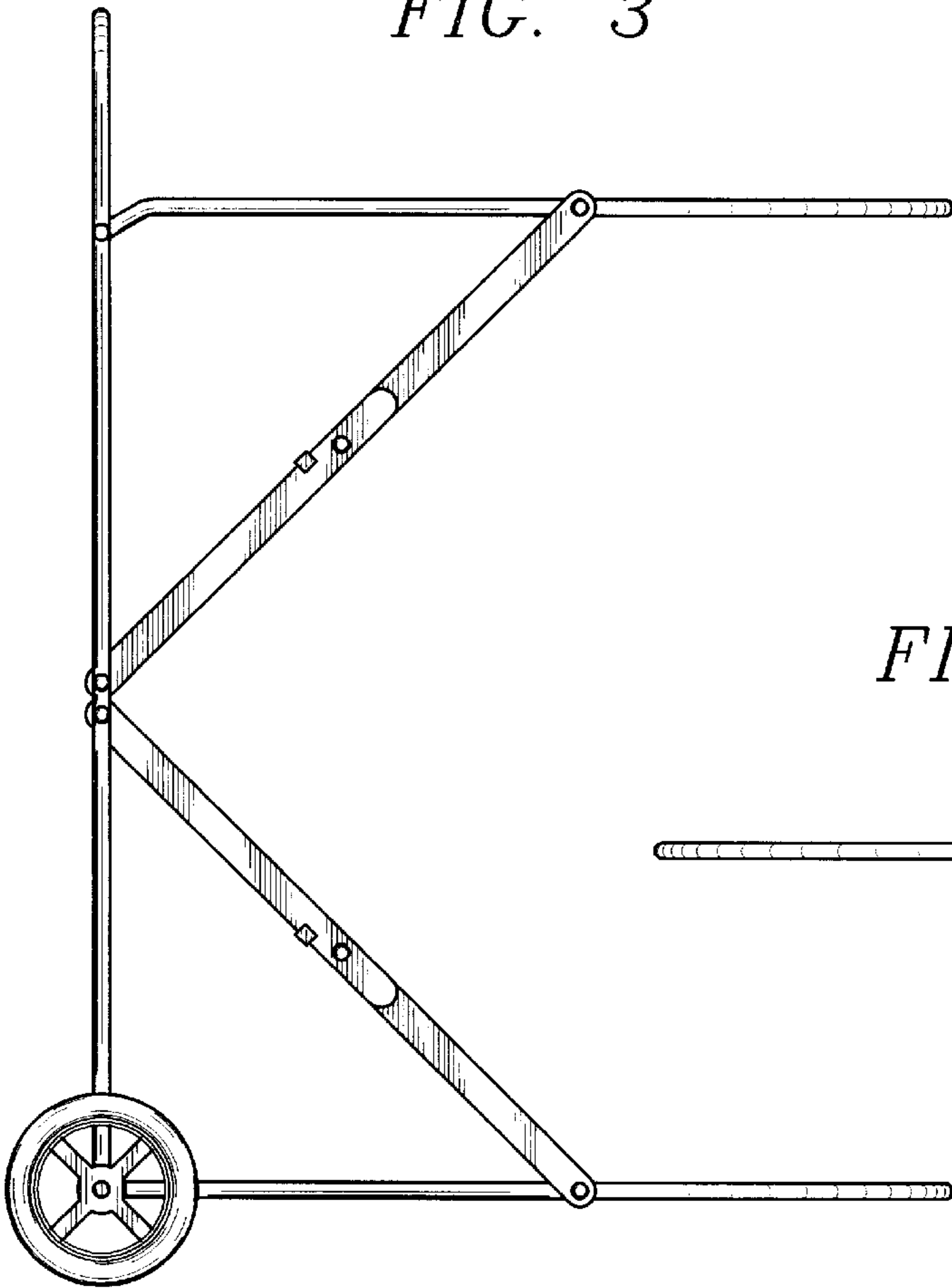


FIG. 4

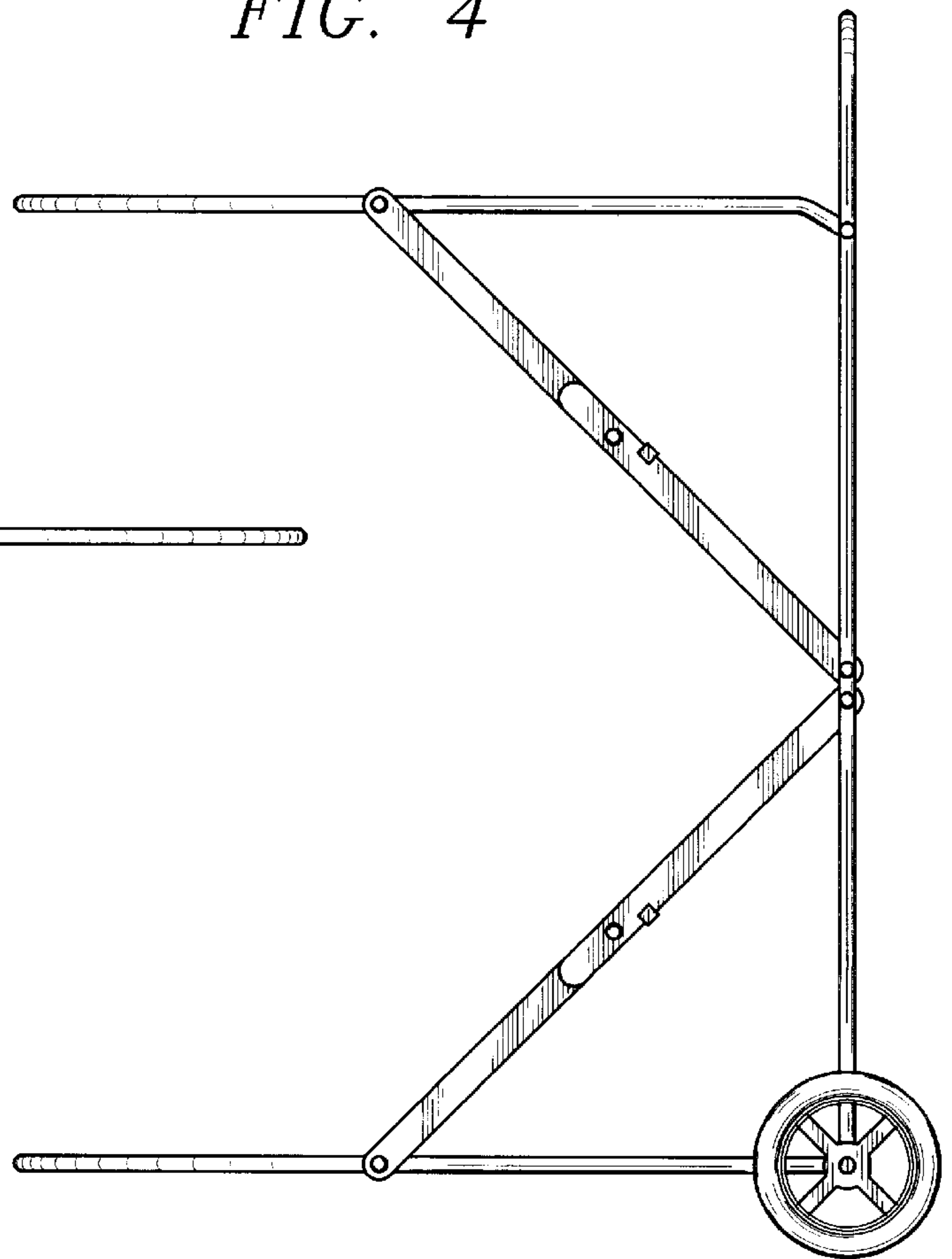


FIG. 5

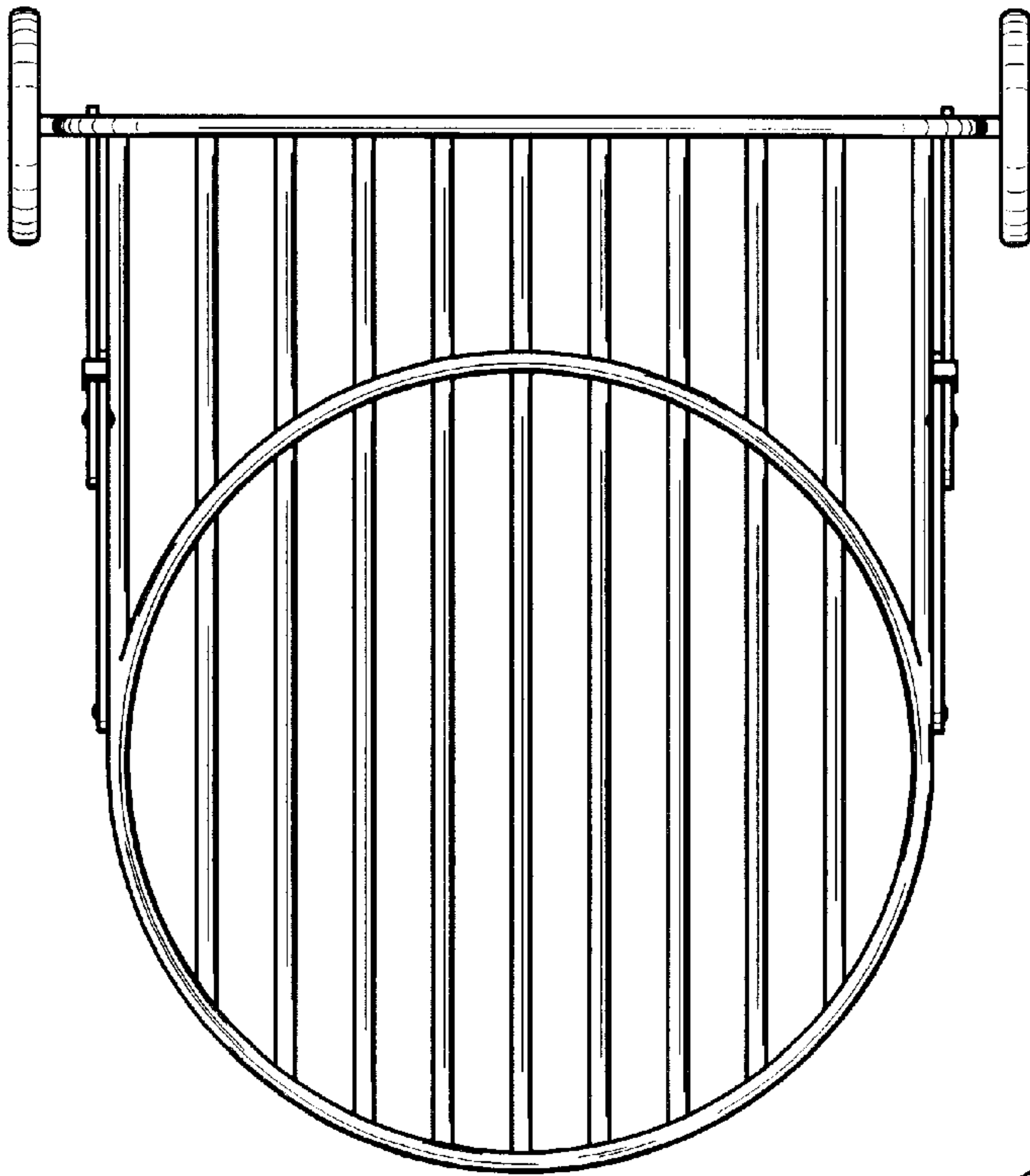


FIG. 6

