



US00D411360S

United States Patent [19]

Fredes et al.

[11] Patent Number: **Des. 411,360**

[45] Date of Patent: **** Jun. 22, 1999**

[54] **CART FOR TRANSPORTING FISHING GEAR**

4,946,186 8/1990 Cheng 280/646
5,421,604 6/1995 Wu 280/655

[76] Inventors: **Albert Fredes; Genero Fredes**, both of
2900 New York Ave., Union City, N.J.
07082

Primary Examiner—Kay H. Chin
Attorney, Agent, or Firm—M. K. Silverman

[**] Term: **14 Years**

[57] **CLAIM**

[21] Appl. No.: **29/073,812**

The ornamental design for a cart for transporting fishing gear, as shown and described.

[22] Filed: **Jul. 17, 1997**

DESCRIPTION

[51] **LOC (6) Cl.** **12-02**

FIG. 1 is a perspective view of our inventive part for the cart for transporting fishing gear.

[52] **U.S. Cl.** **D34/24; D34/26**

FIG. 2 is a right side view of which the left view is a mirror image thereof.

[58] **Field of Search** D34/12, 27; 280/47.18,
280/47.19, 47.24, 47.27, 47.28, 655, 652,
DIG. 6

FIG. 3 is a front elevational view thereof.

FIG. 4 is a rear view of the inventive fishing cart.

FIG. 5 is a top view thereof; and,

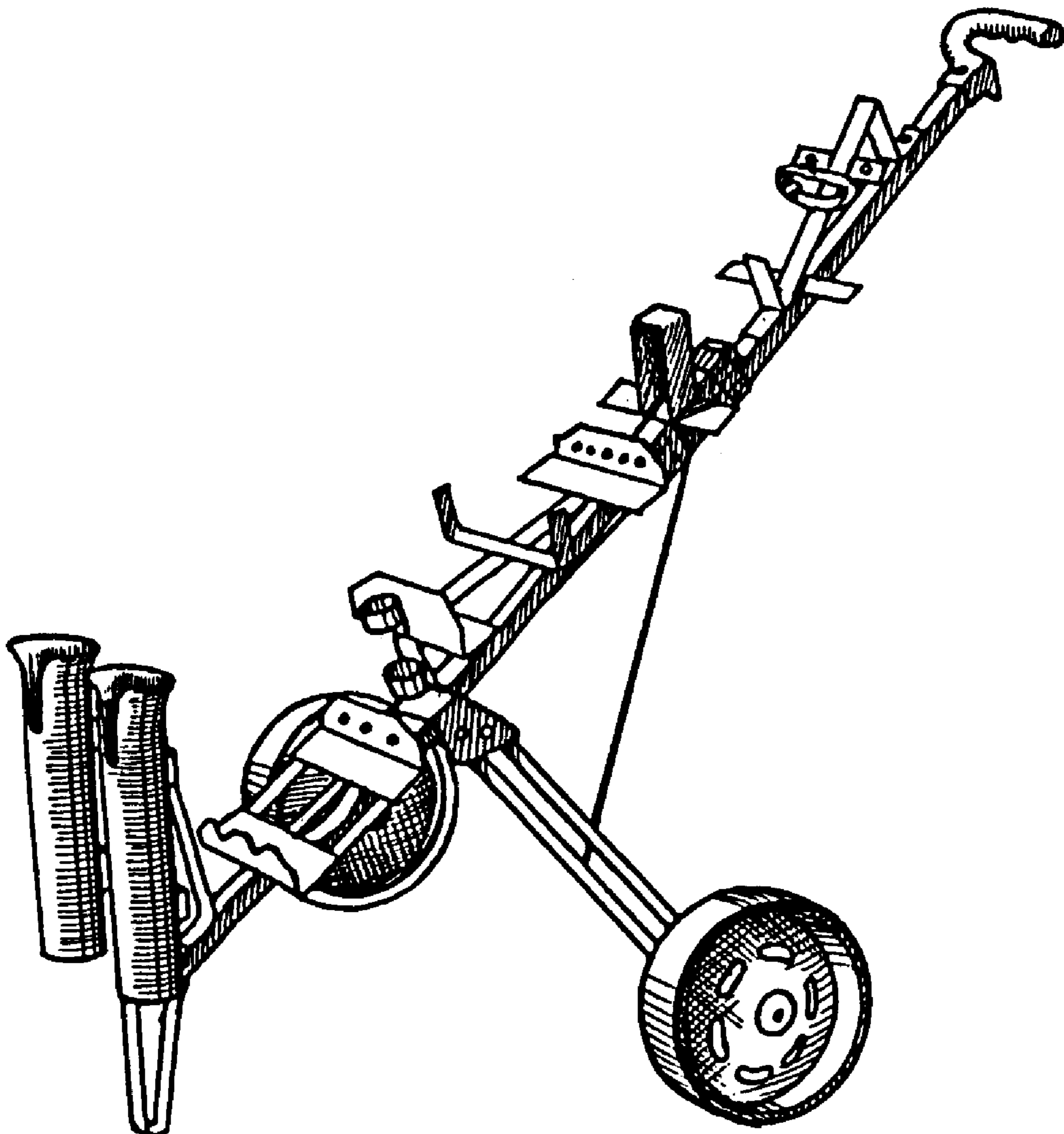
FIG. 6 is a bottom view of the inventive cart for use with the fishing articles.

[56] **References Cited**

U.S. PATENT DOCUMENTS

D. 396,924 8/1998 Cardemas D34/24
4,936,598 6/1990 Lee 280/645

1 Claim, 3 Drawing Sheets



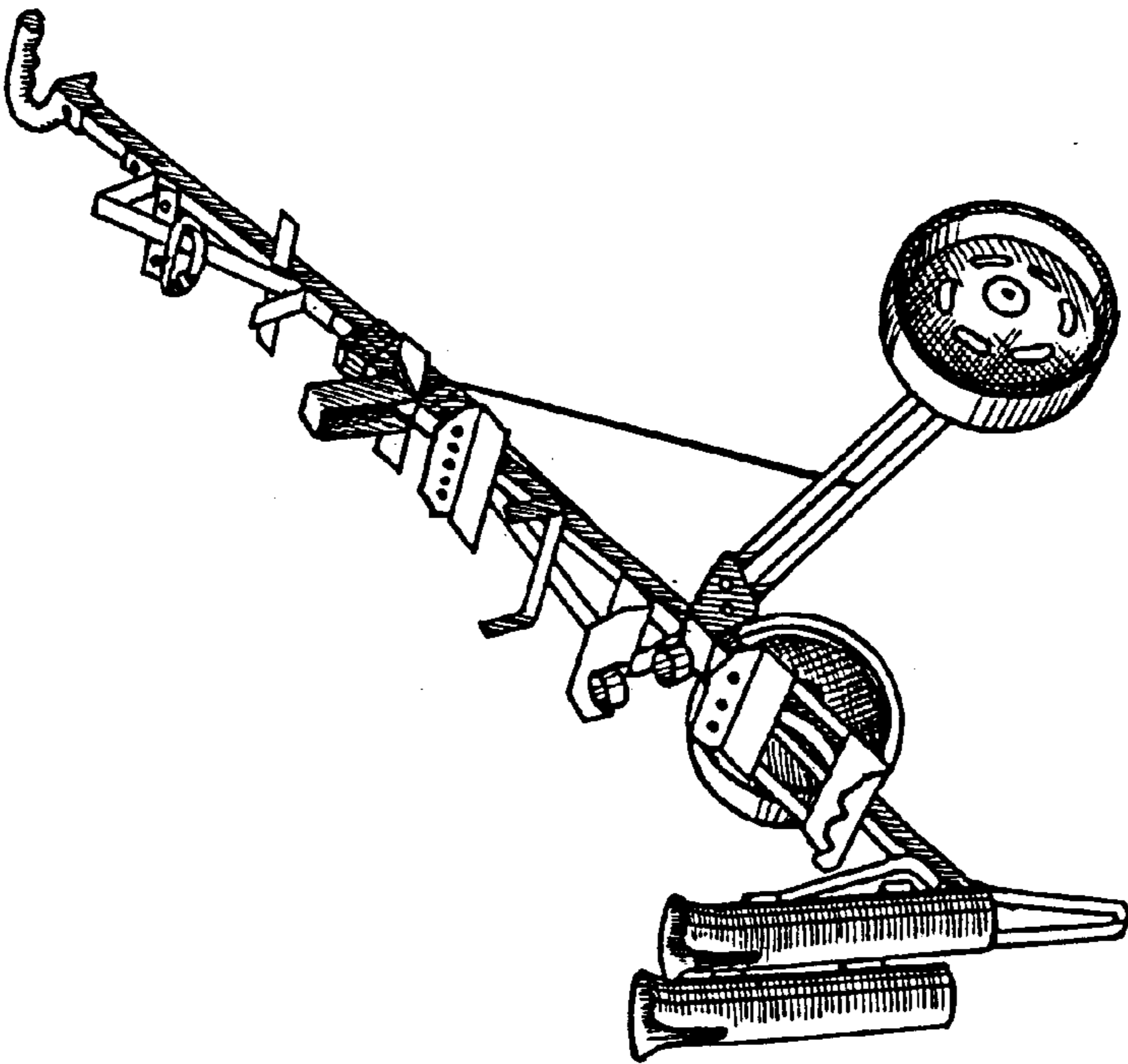


FIG. 1

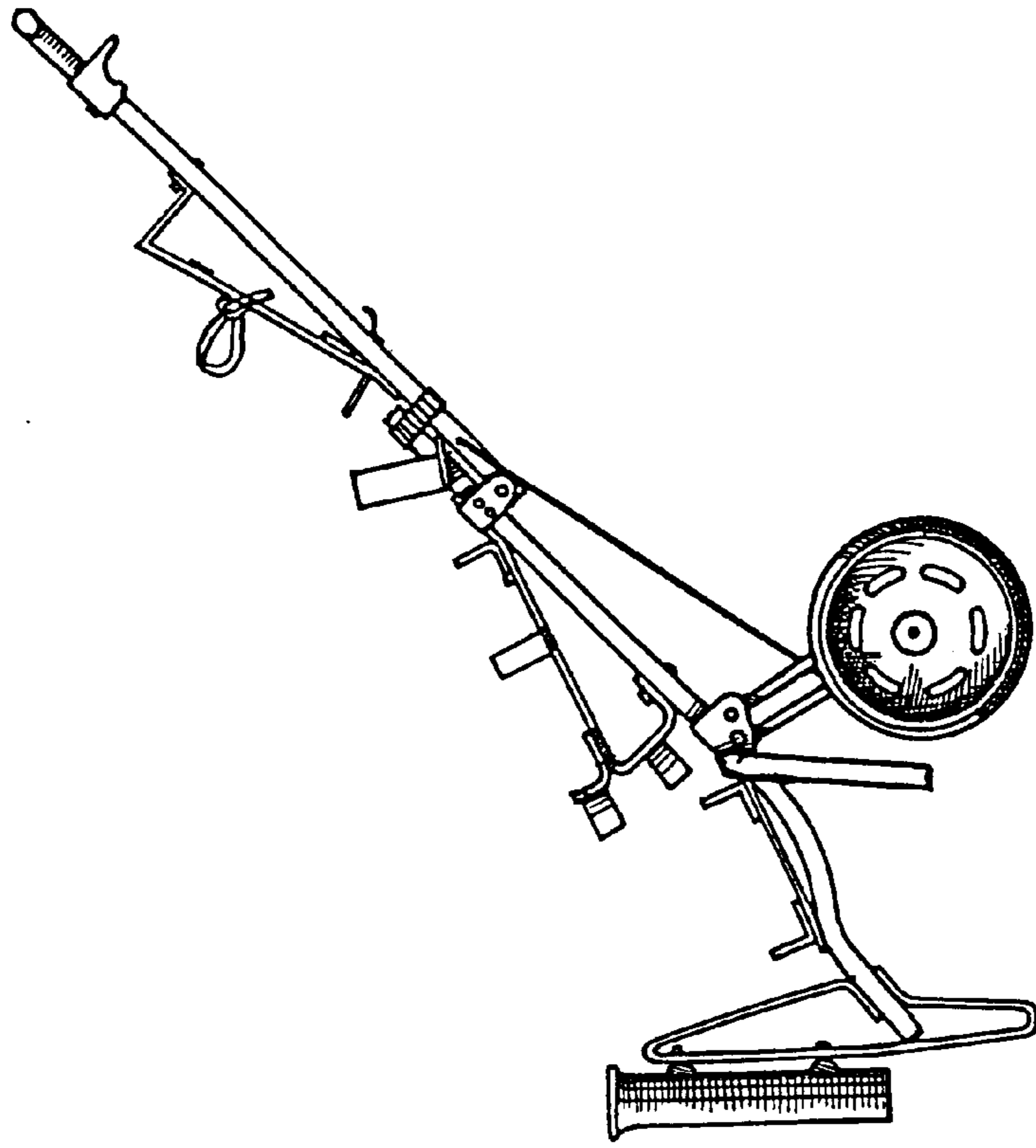


FIG. 2

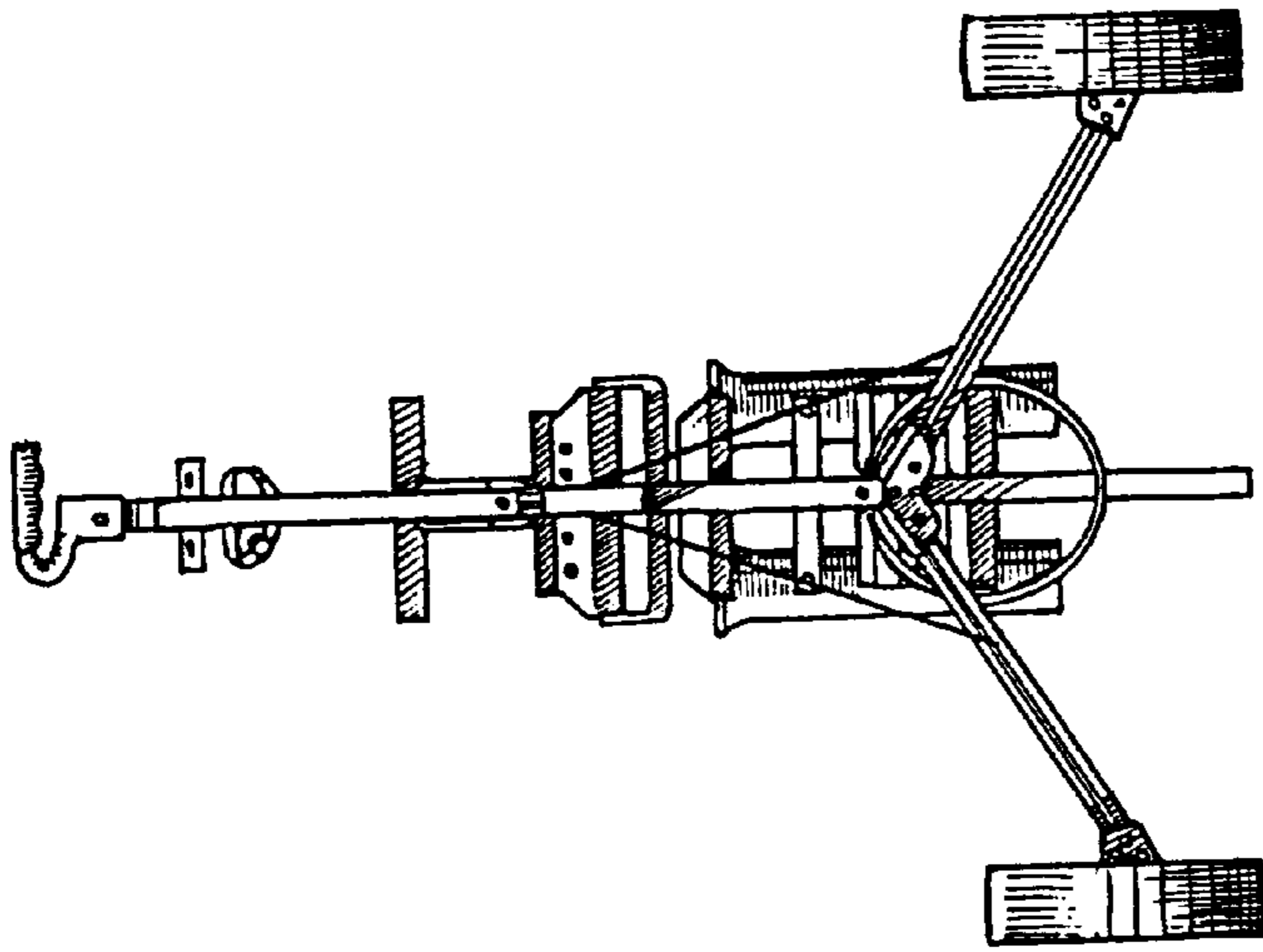


FIG. 4

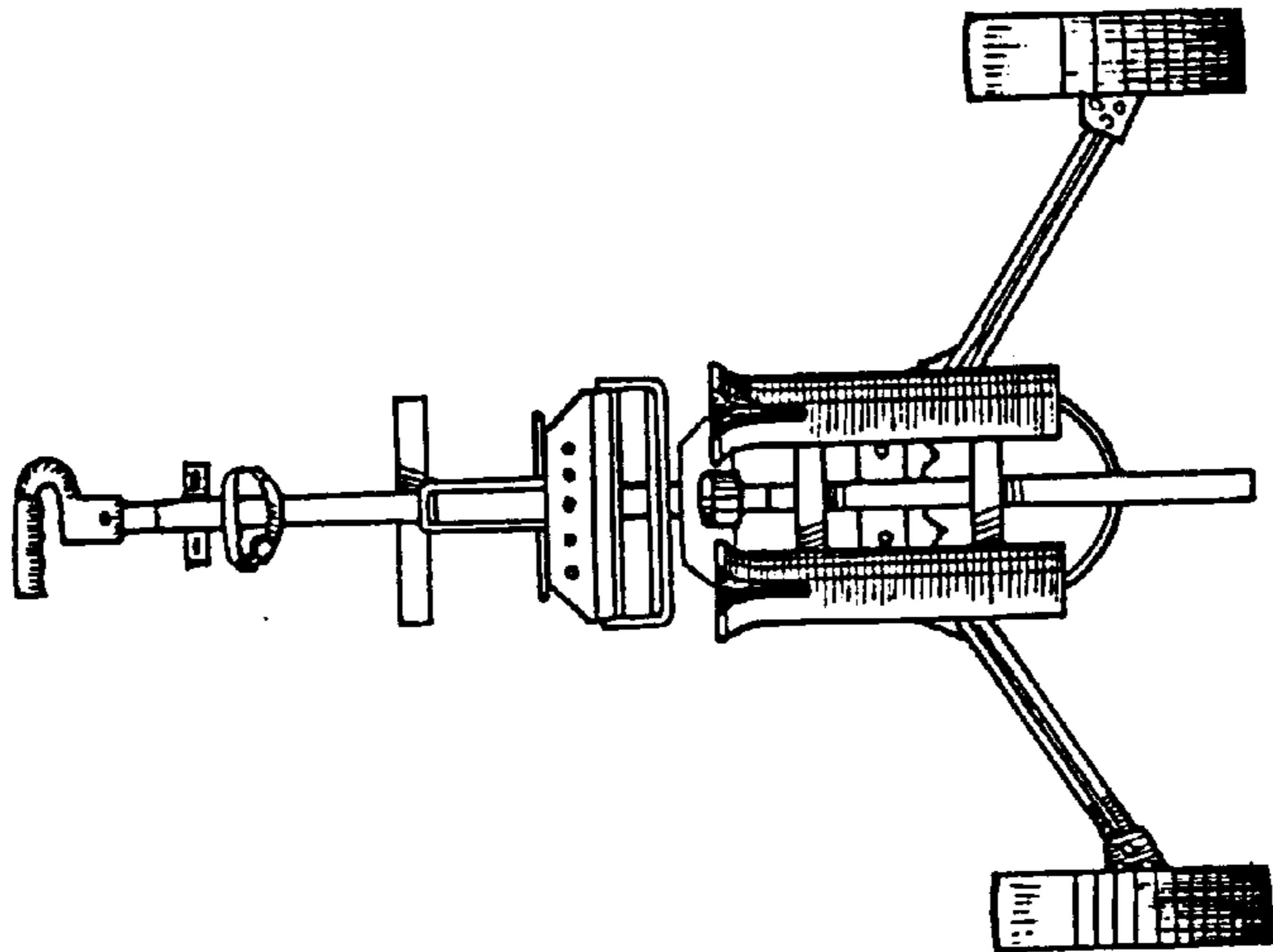


FIG. 3

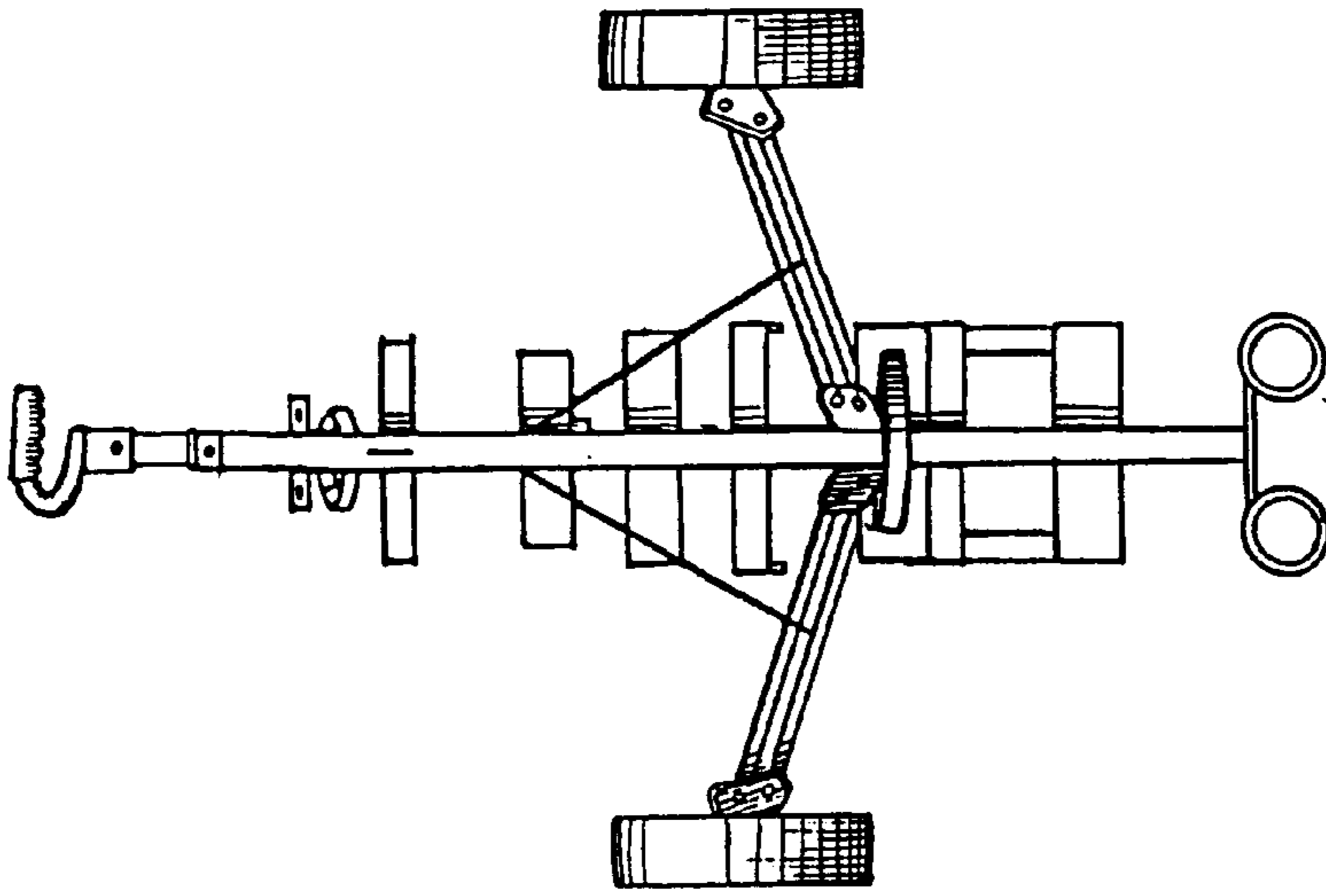


FIG. 6

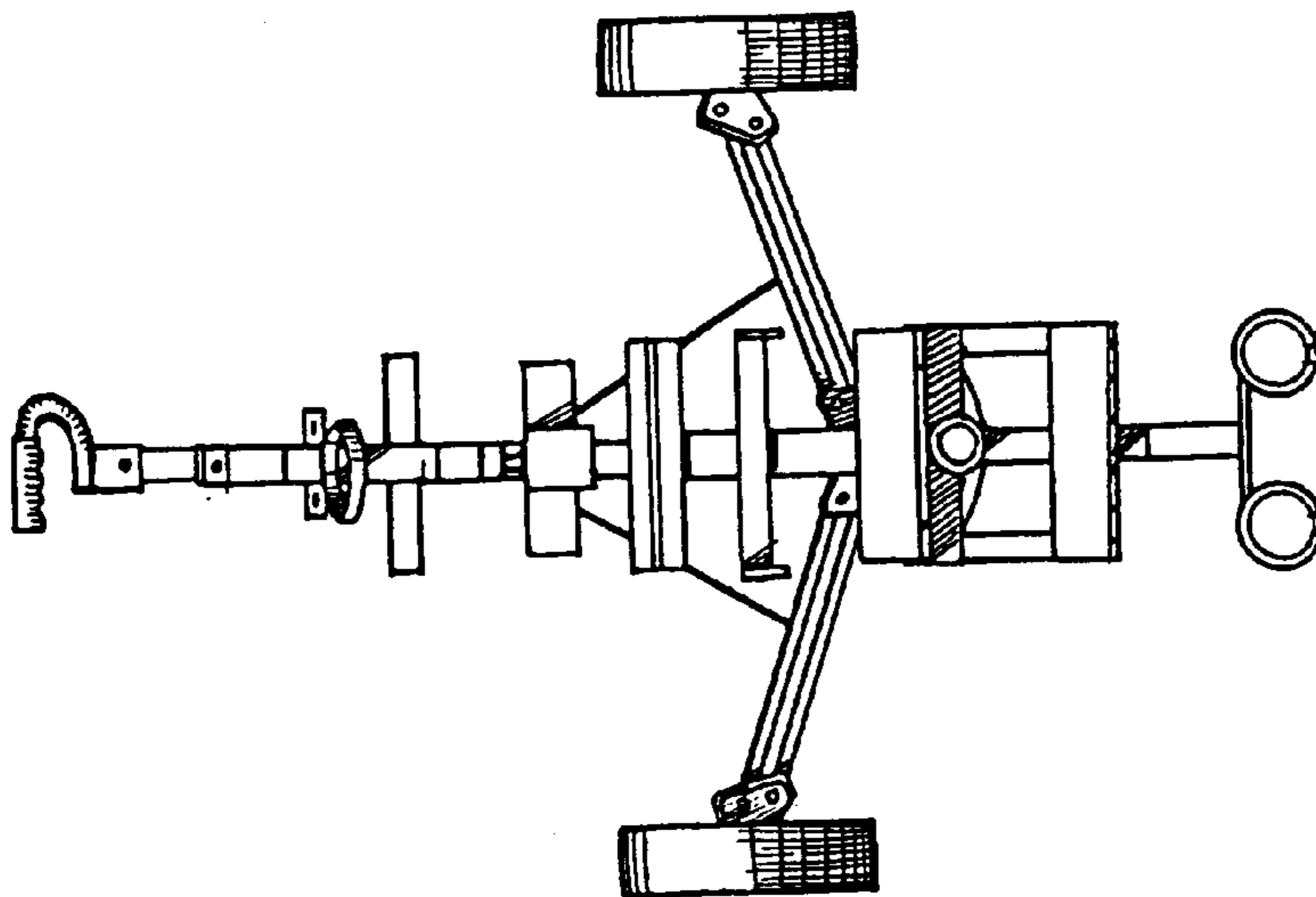


FIG. 5