



US00D411359S

United States Patent [19] Green

[11] Patent Number: **Des. 411,359**

[45] Date of Patent: **** Jun. 22, 1999**

[54] **SEPARATION DEVICE FOR A VACUUM CLEANER**

[75] Inventor: **Michael Green**, London, United Kingdom

[73] Assignee: **Aktiebolaget Electrolux**, Stockholm, Sweden

[**] Term: **14 Years**

[21] Appl. No.: **29/076,654**

[22] Filed: **Sep. 15, 1997**

[30] **Foreign Application Priority Data**

Mar. 26, 1997 [SE] Sweden 970729

[51] **LOC (6) Cl.** **15-05**

[52] **U.S. Cl.** **D32/31**

[58] **Field of Search** D32/1, 21, 22, D32/23, 24, 31-34, 30, 17, 18; 15/350, 344, 347-353, 327.2, 327.5, 329, 410; 55/337, 345, 447; 210/512.2

[56] **References Cited**

U.S. PATENT DOCUMENTS

- D. 305,269 12/1989 Dyson D32/22
- D. 312,517 11/1990 Hohrein, II et al. D32/23
- D. 314,258 1/1991 Campbell, Sr. et al. D32/25
- D. 330,582 10/1992 Gefter et al. D32/30

- D. 347,715 6/1994 Berfield D32/15
- D. 360,503 7/1995 Lynch et al. D32/15
- D. 382,681 8/1997 Thomas D32/22
- D. 382,682 8/1997 Wareham et al. D32/22
- D. 386,841 11/1997 DeMore et al. D32/15
- 4,734,017 3/1988 Levin D32/15
- 4,960,446 10/1990 Werner et al. 55/312
- 5,145,499 9/1992 Dyson 55/337
- 5,254,147 10/1993 Finke 55/337
- 5,334,239 8/1994 Choe et al. 55/337
- 5,713,103 2/1998 Keebler et al. 15/323

Primary Examiner—Ruth McInroy
Attorney, Agent, or Firm—Pearne, Gordon, McCoy & Granger LLP

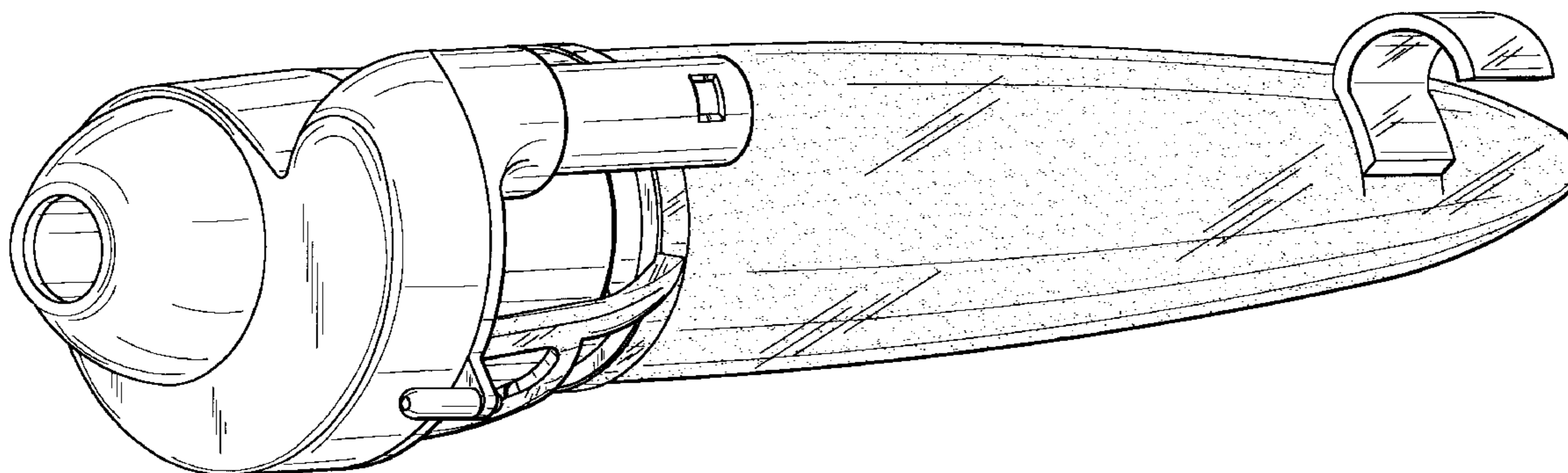
[57] **CLAIM**

The ornamental design for a separation device for a vacuum cleaner, as shown and described.

DESCRIPTION

FIG. 1 is a front perspective view of a separation device for a vacuum cleaner, showing my new design; FIG. 2 is a rear perspective view thereof; FIG. 3 is a front view thereof; FIG. 4 is a rear view thereof; FIG. 5 is a right hand side view thereof; FIG. 6 is a left hand side view thereof. FIG. 7 is a top plan view thereof; and, FIG. 8 is a bottom plan view thereof.

1 Claim, 7 Drawing Sheets



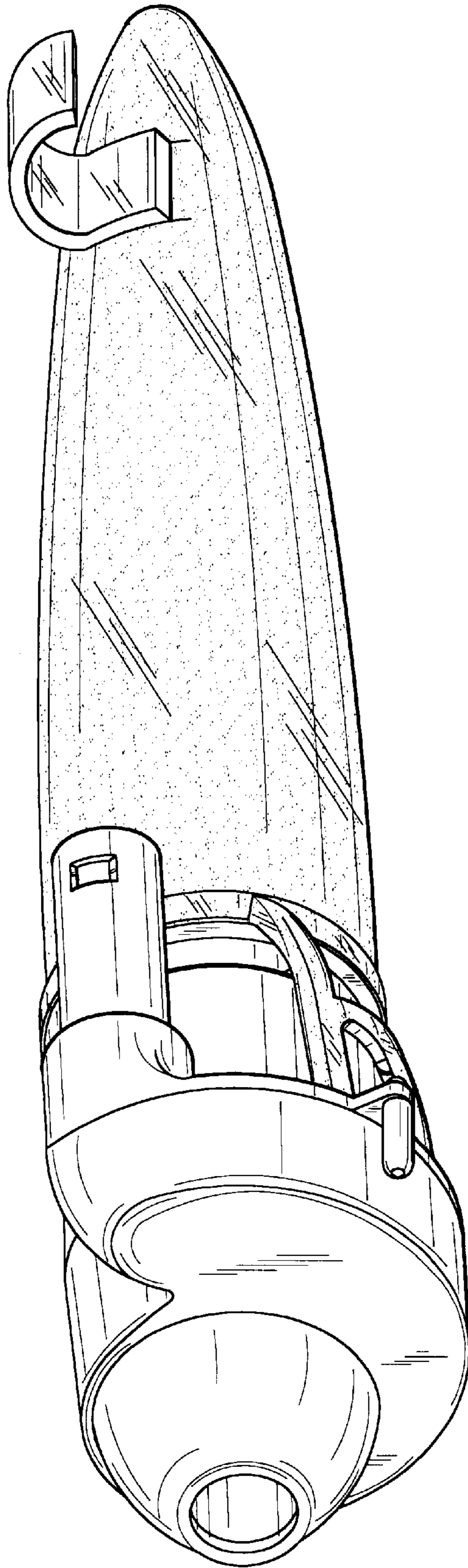


FIG. 1

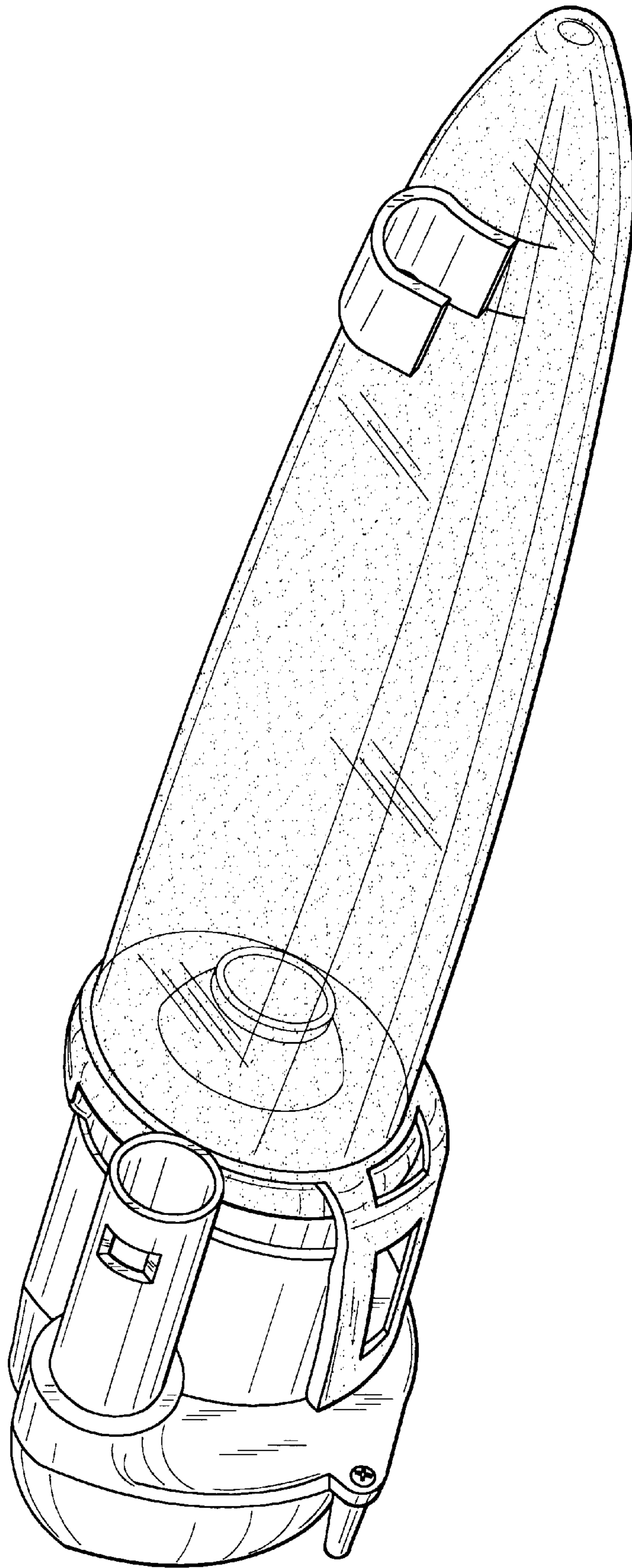


FIG. 2

FIG. 3

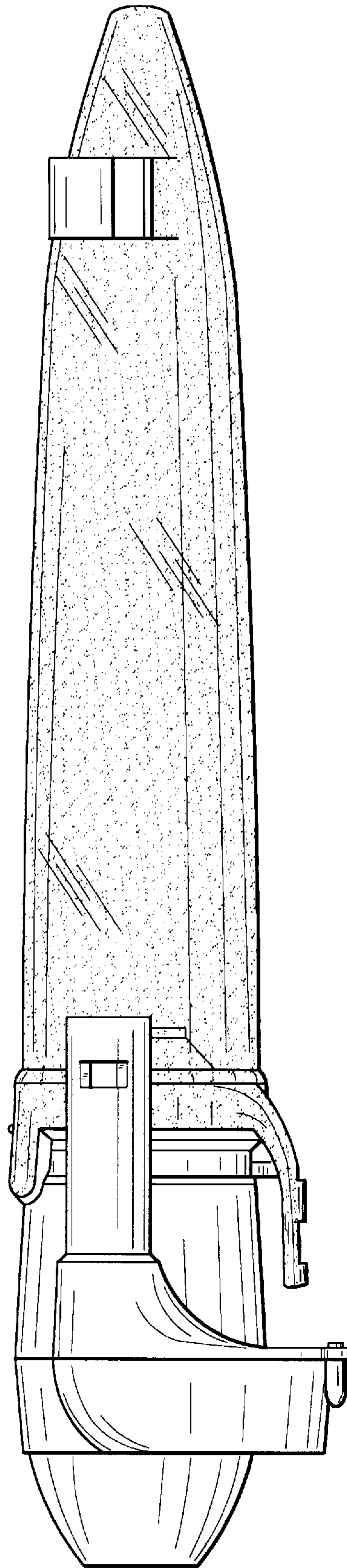


FIG. 4

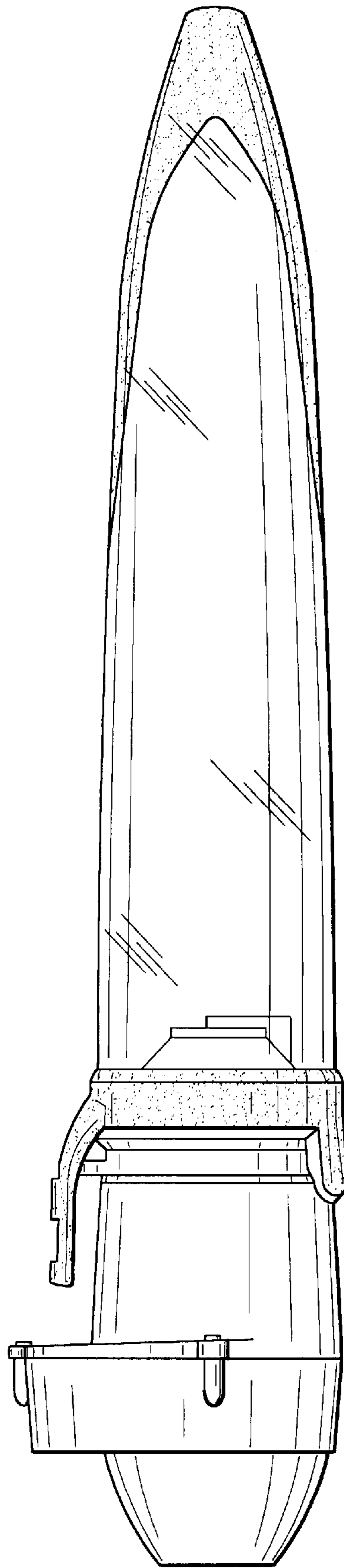


FIG. 5

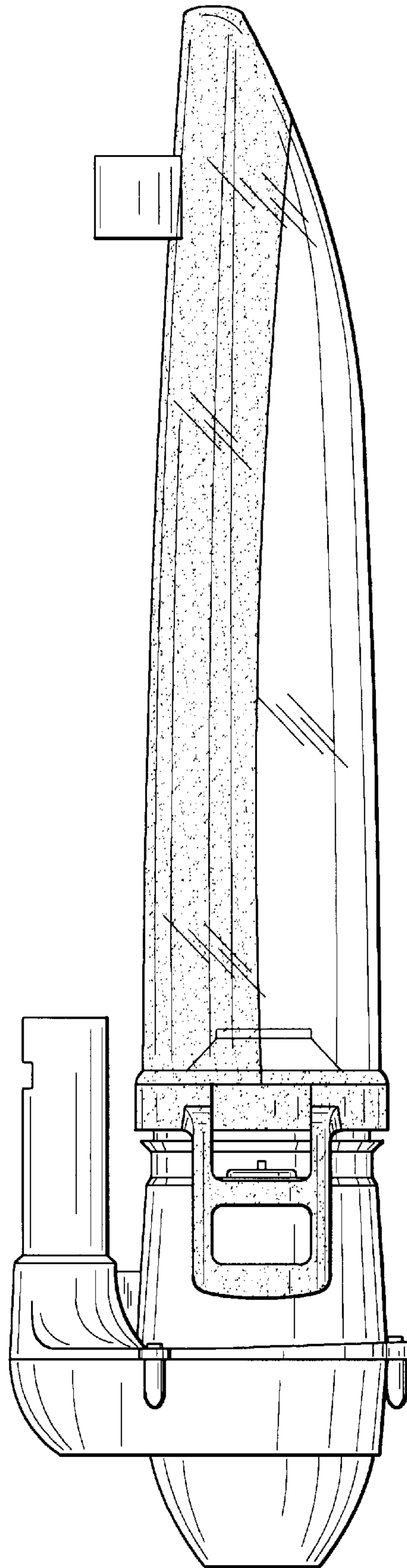


FIG. 6

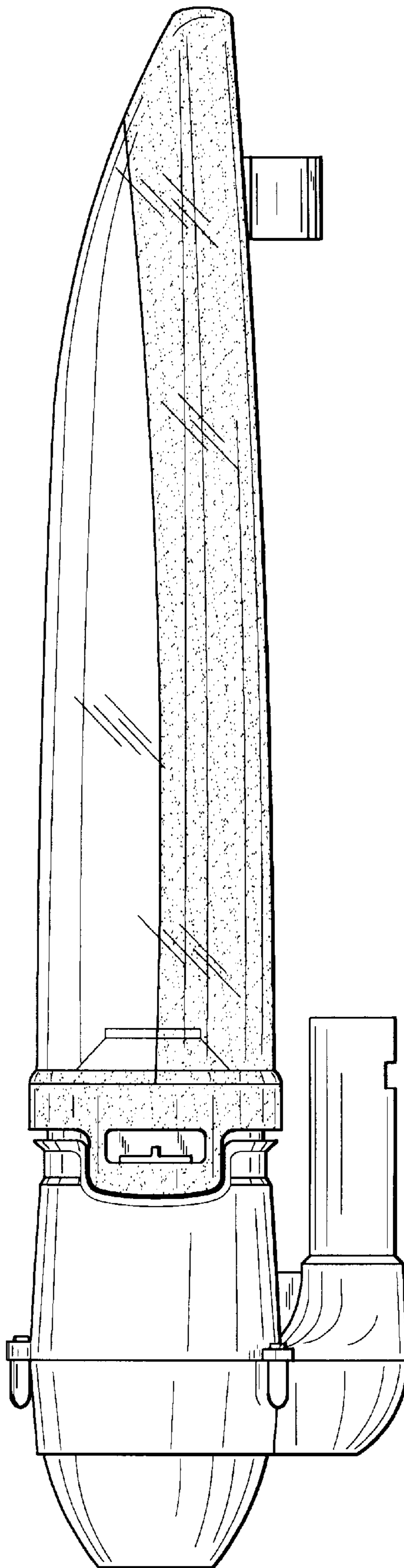


FIG. 7

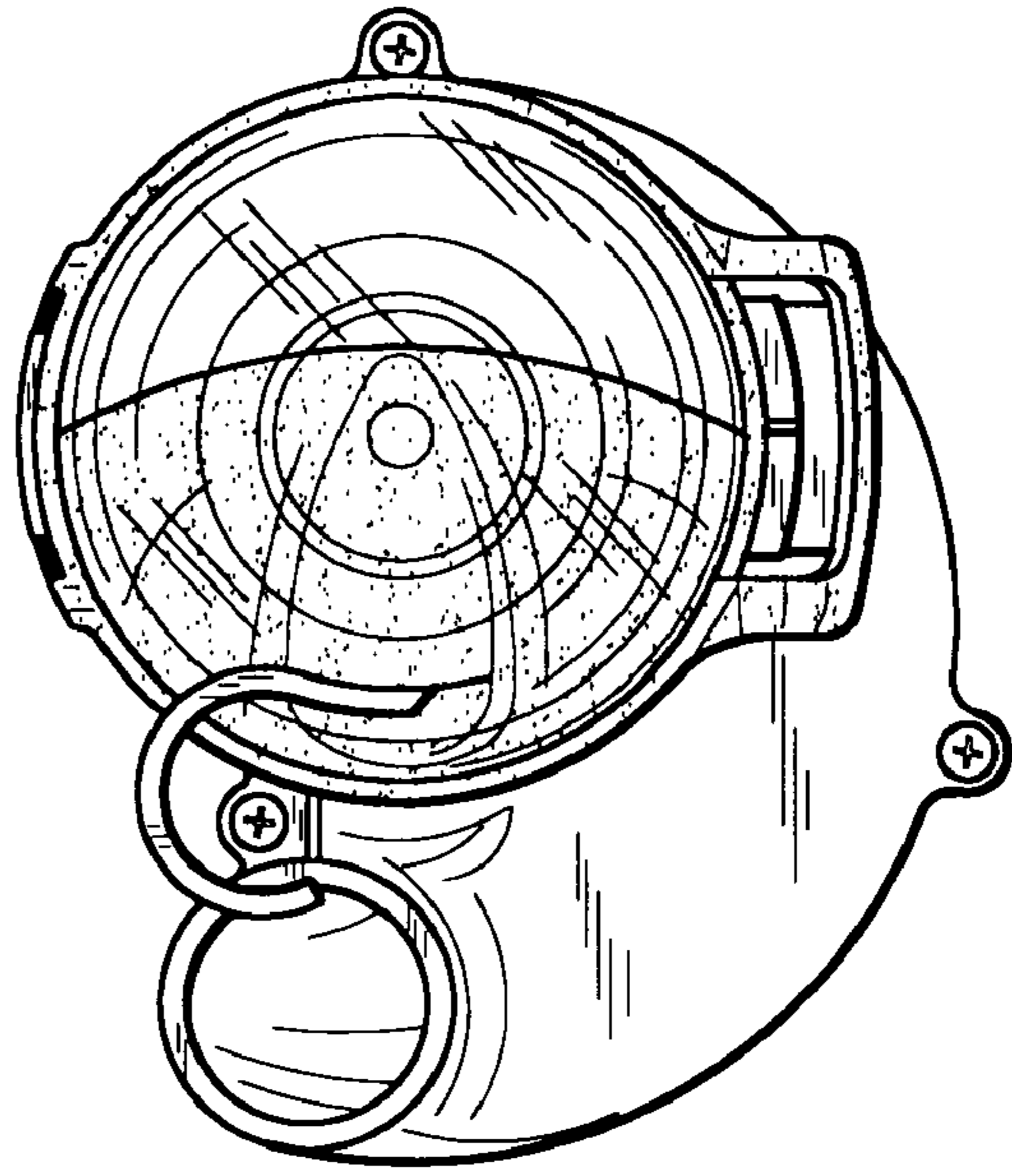


FIG. 8

