



US00D411357S

United States Patent [19]

[11] Patent Number: Des. 411,357

Baiera et al.

[45] Date of Patent: ** Jun. 22, 1999

[54] PET TOY

[75] Inventors: Vincent A. Baiera, Brooklyn, N.Y.;
Jonathan Willinger, Tenafly, N.J.

[73] Assignee: J.W. Pet Company, Inc., East
Rutherford, N.J.

[**] Term: 14 Years

[21] Appl. No.: 29/071,945

[22] Filed: Jun. 9, 1997

[51] LOC (6) Cl. 30-99

[52] U.S. Cl. D30/160

[58] Field of Search D30/160; 119/701-711;
446/168, 170, 227-228, 236, 302; D21/406,
408, 694; 273/369; 473/427, 429

[56] References Cited

U.S. PATENT DOCUMENTS

D. 338,987	8/1993	Eroyan	D30/160
D. 366,679	4/1996	Clements	D30/160
D. 382,381	8/1997	Fukushima	D30/160
D. 388,559	12/1997	Mauldin, Jr.	D30/160
2,833,244	5/1958	Bohlman	119/708
3,502,335	3/1970	Sholin	446/168
4,517,922	5/1985	Lind	119/708
4,577,590	3/1986	Skroch	119/706
4,593,911	6/1986	Cory	446/170
4,930,448	6/1990	Robinson	119/708
4,940,018	7/1990	Edling	119/708

5,103,770	4/1992	Berkovich	119/708
5,148,769	9/1992	Zelinger	119/708
5,322,036	6/1994	Merino	119/707
5,339,770	8/1994	Haffner	119/708
5,575,241	11/1996	Line	119/708
5,634,436	6/1997	Coombs et al.	446/302
5,657,721	8/1997	Mayfield	119/707
5,675,225	10/1997	Moore et al.	119/708

Primary Examiner—Cathy Anne MacCormac
Attorney, Agent, or Firm—Helfgott & Karas, P C.

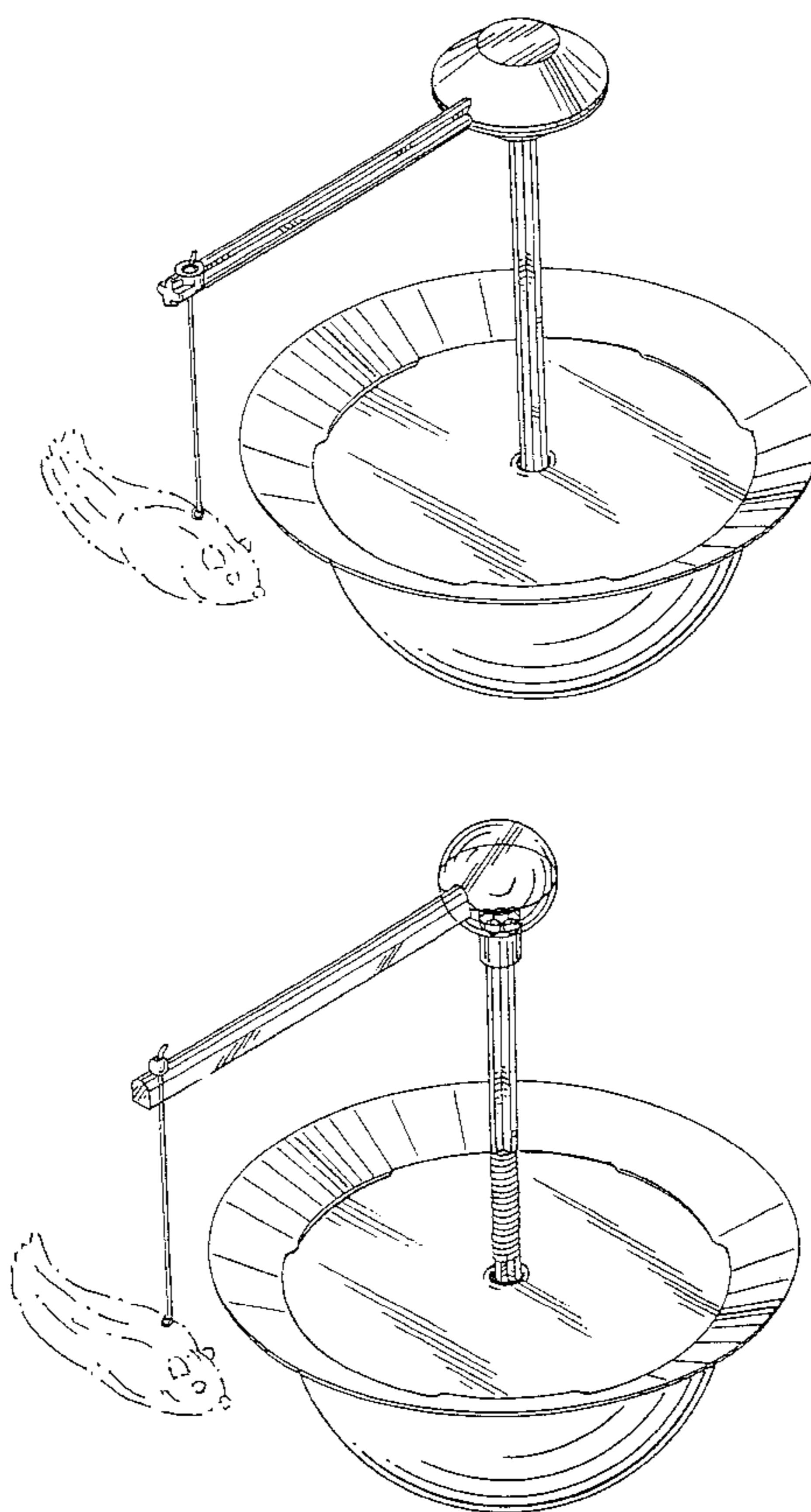
[57] CLAIM

The ornamental design for a pet toy, as shown and described.

DESCRIPTION

FIG. 1 is a top perspective view of a pet toy showing a first embodiment of our new design;
 FIG. 2 is a top plan view thereof;
 FIG. 3 is a side elevational view thereof;
 FIG. 4 is another side elevational view thereof;
 FIG. 5 is a bottom plan view thereof.
 FIG. 6 is a top perspective view of a pet toy showing a second embodiment of our new design;
 FIG. 7 is a top plan view thereof;
 FIG. 8 is a side elevational view thereof;
 FIG. 9 is another side elevational view thereof; and,
 FIG. 10 is a bottom plan view thereof.
 The broken lines are for purposes of illustration only and form no part of the claimed design.

1 Claim, 6 Drawing Sheets



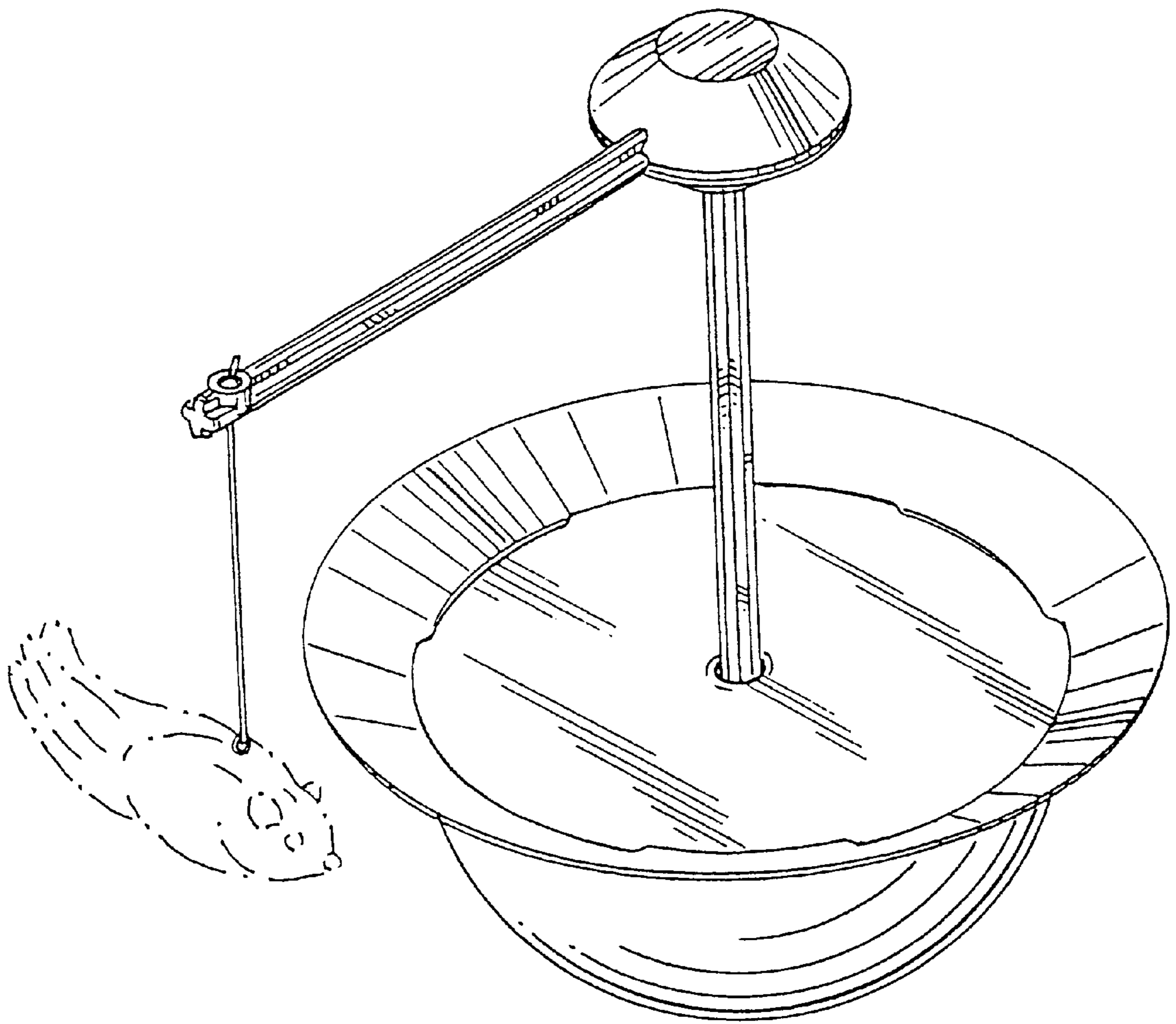


FIG. 1

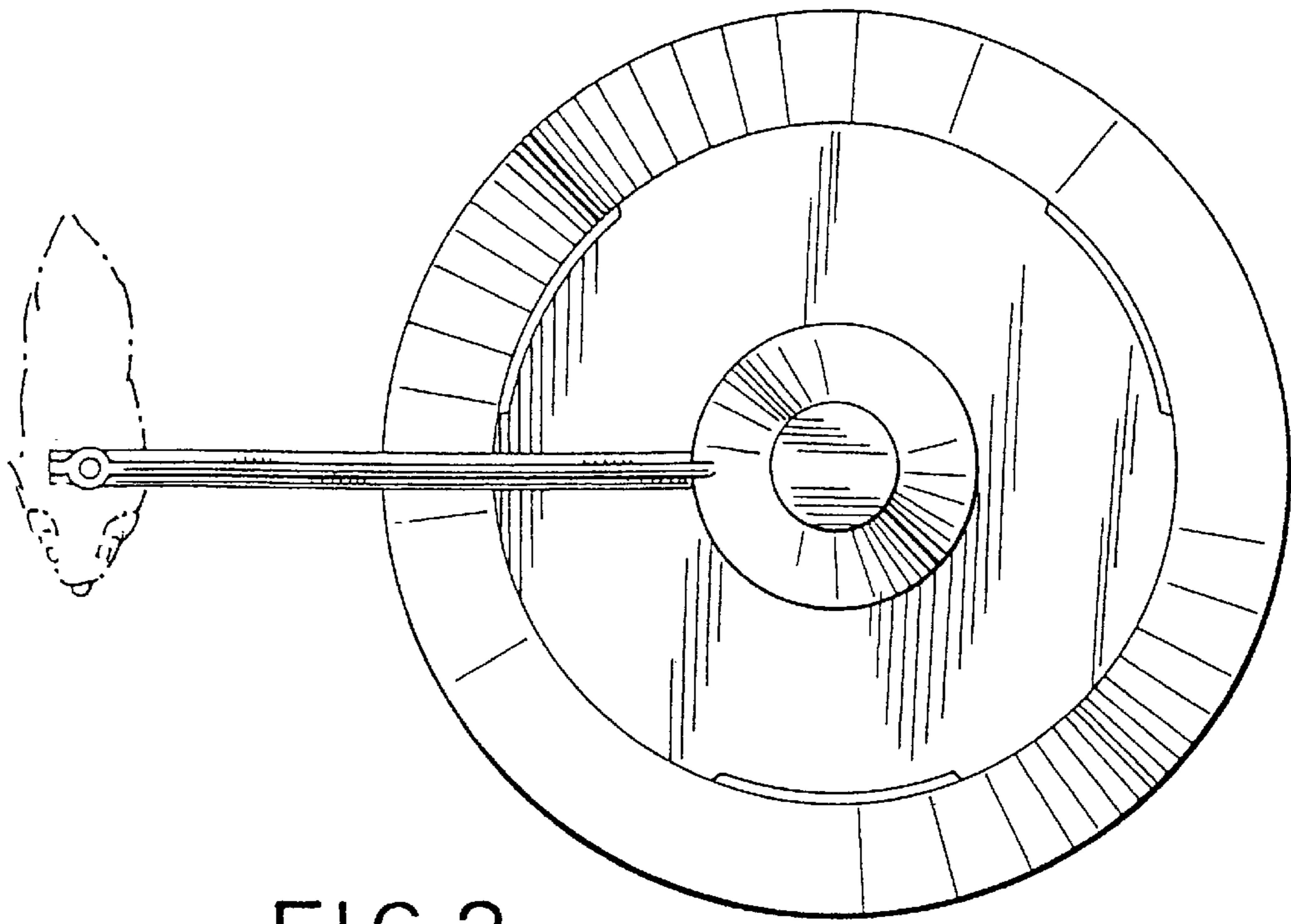


FIG. 2

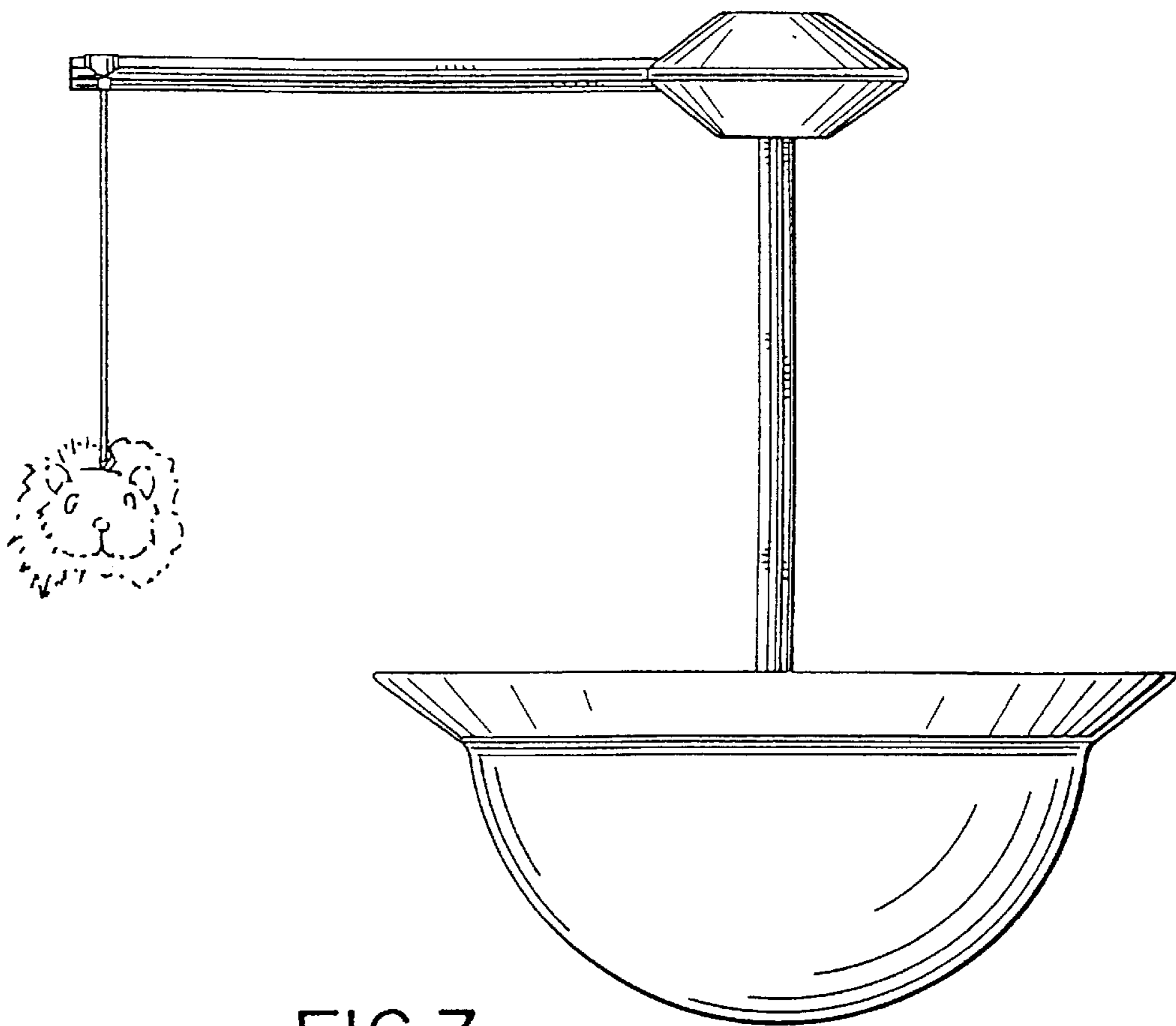


FIG. 3

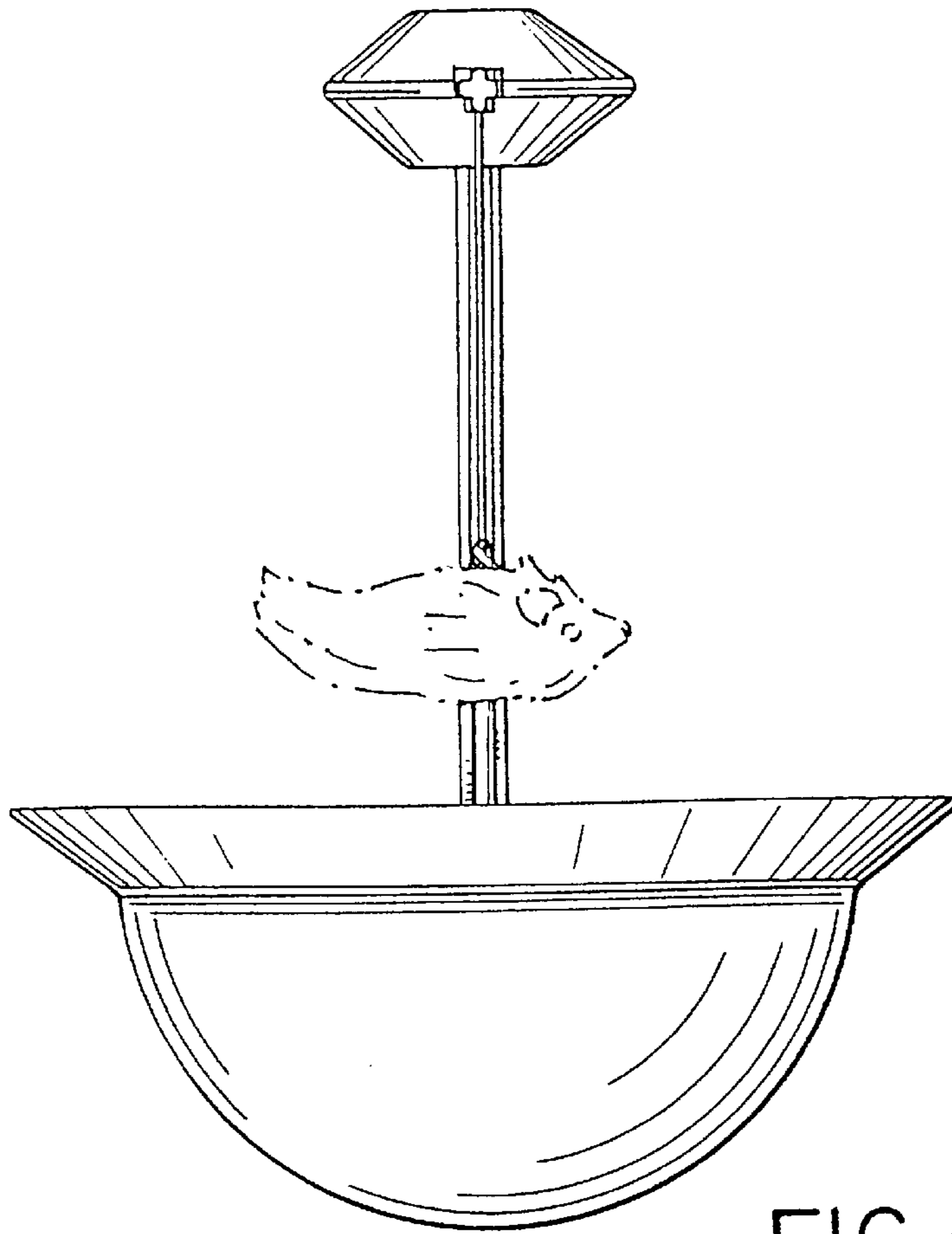


FIG. 4

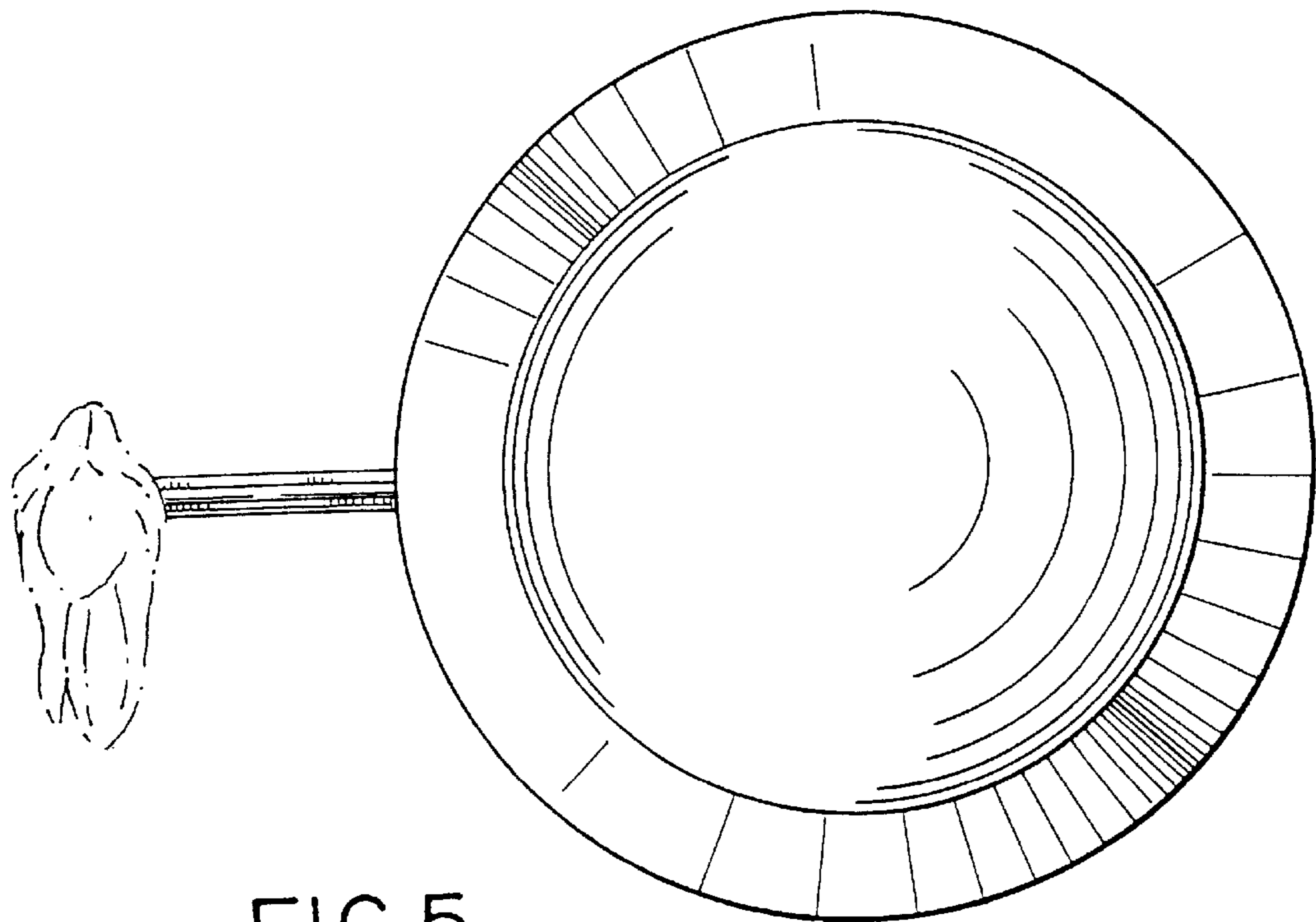


FIG. 5

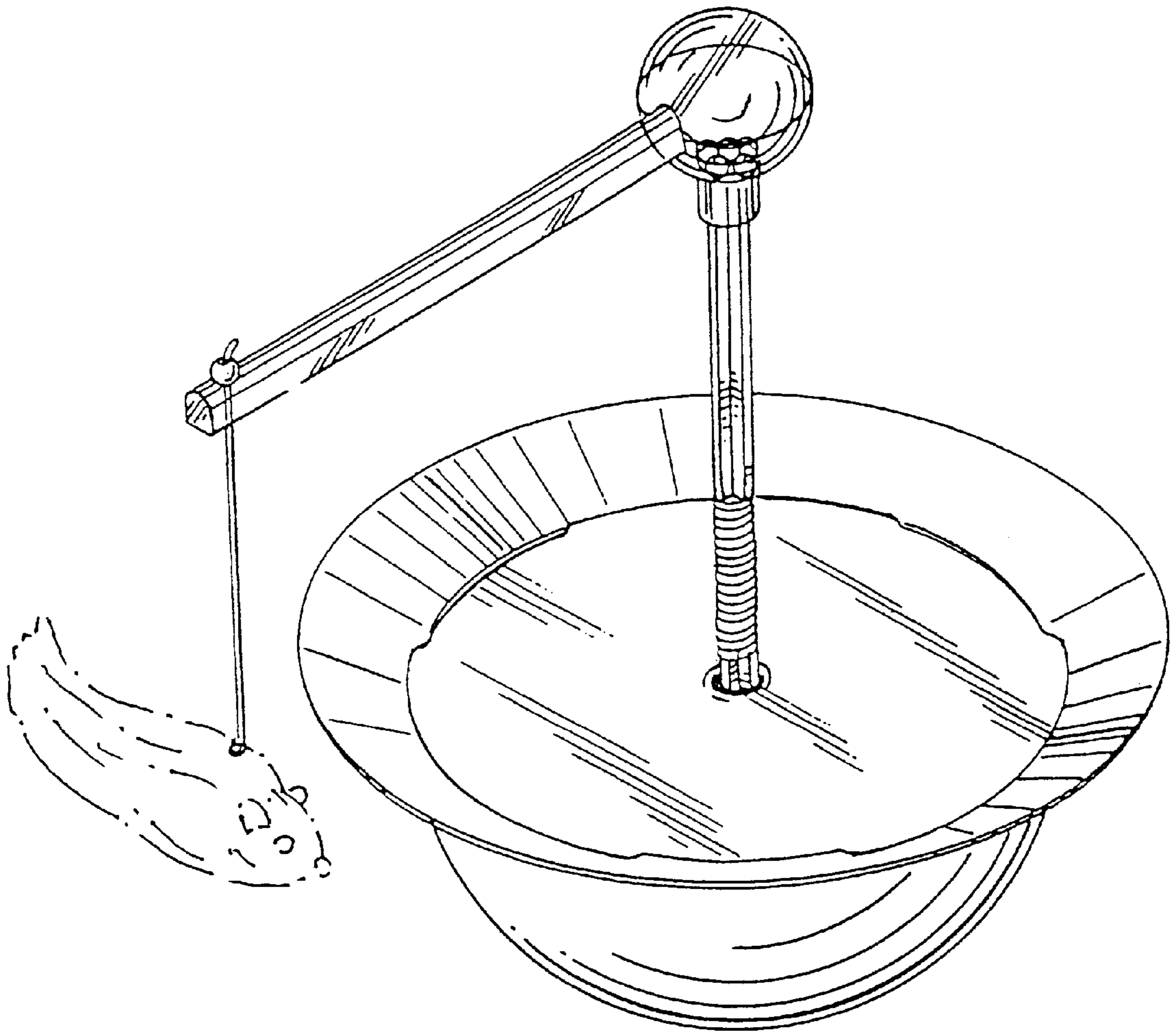


FIG. 6

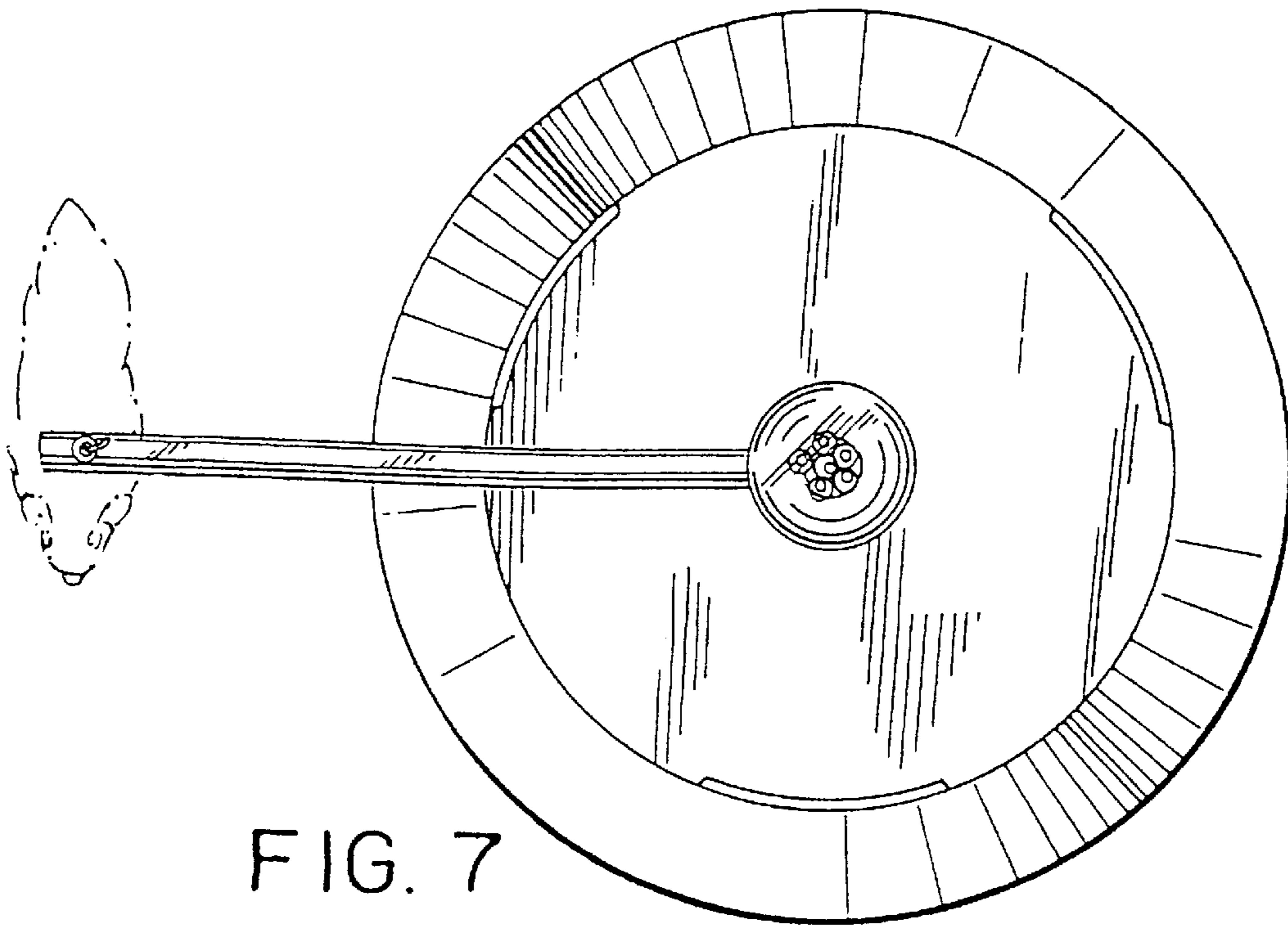


FIG. 7

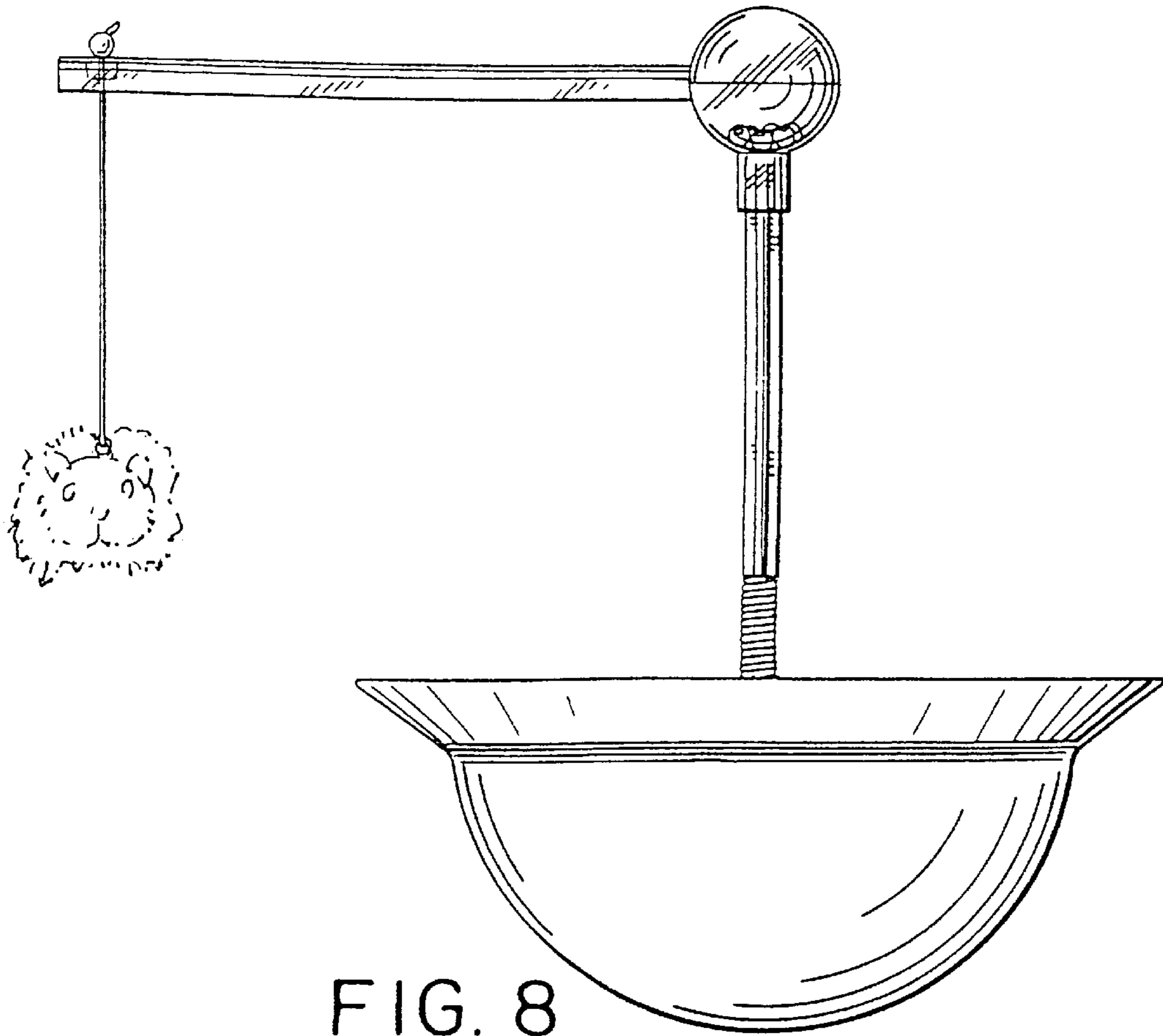


FIG. 8

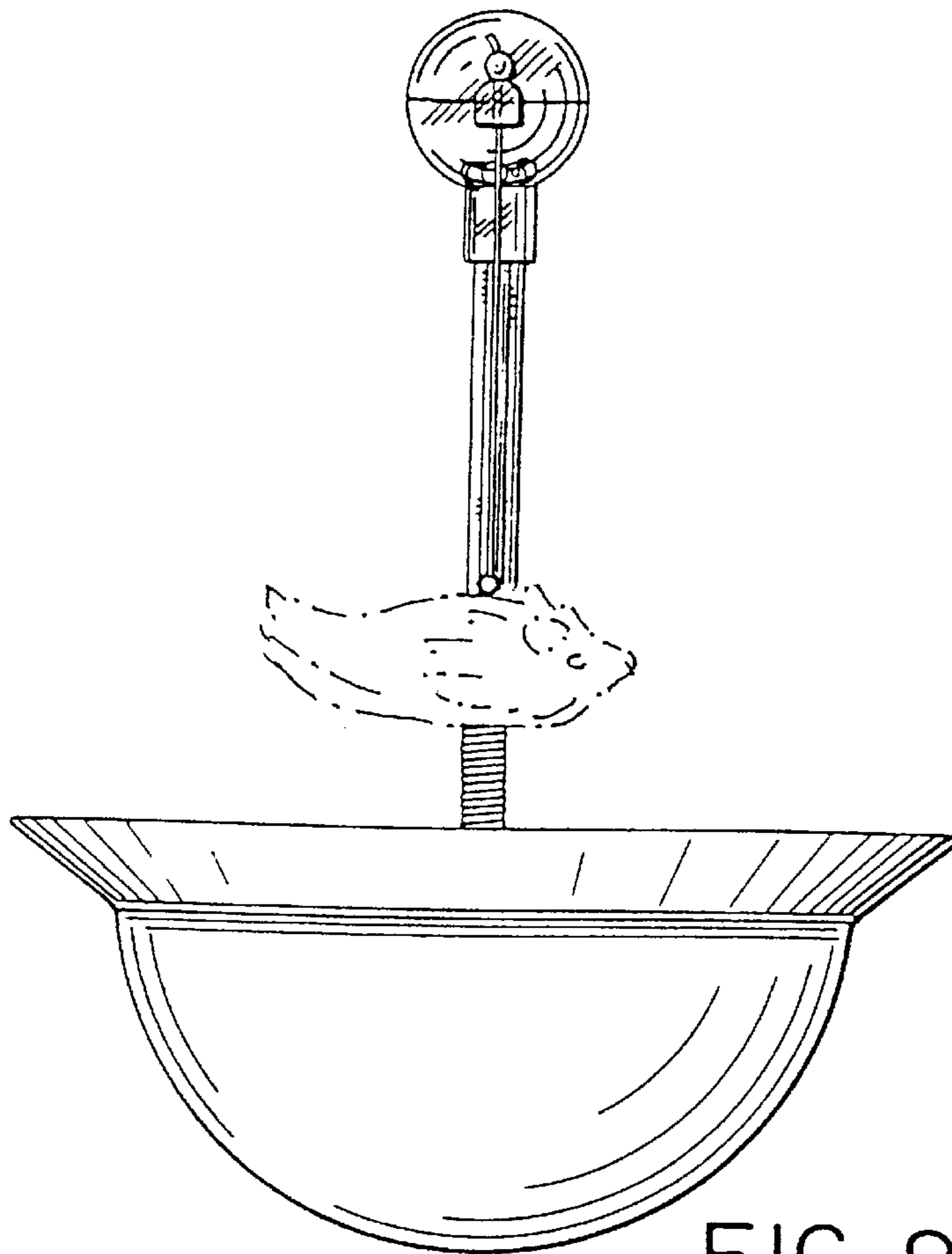


FIG. 9

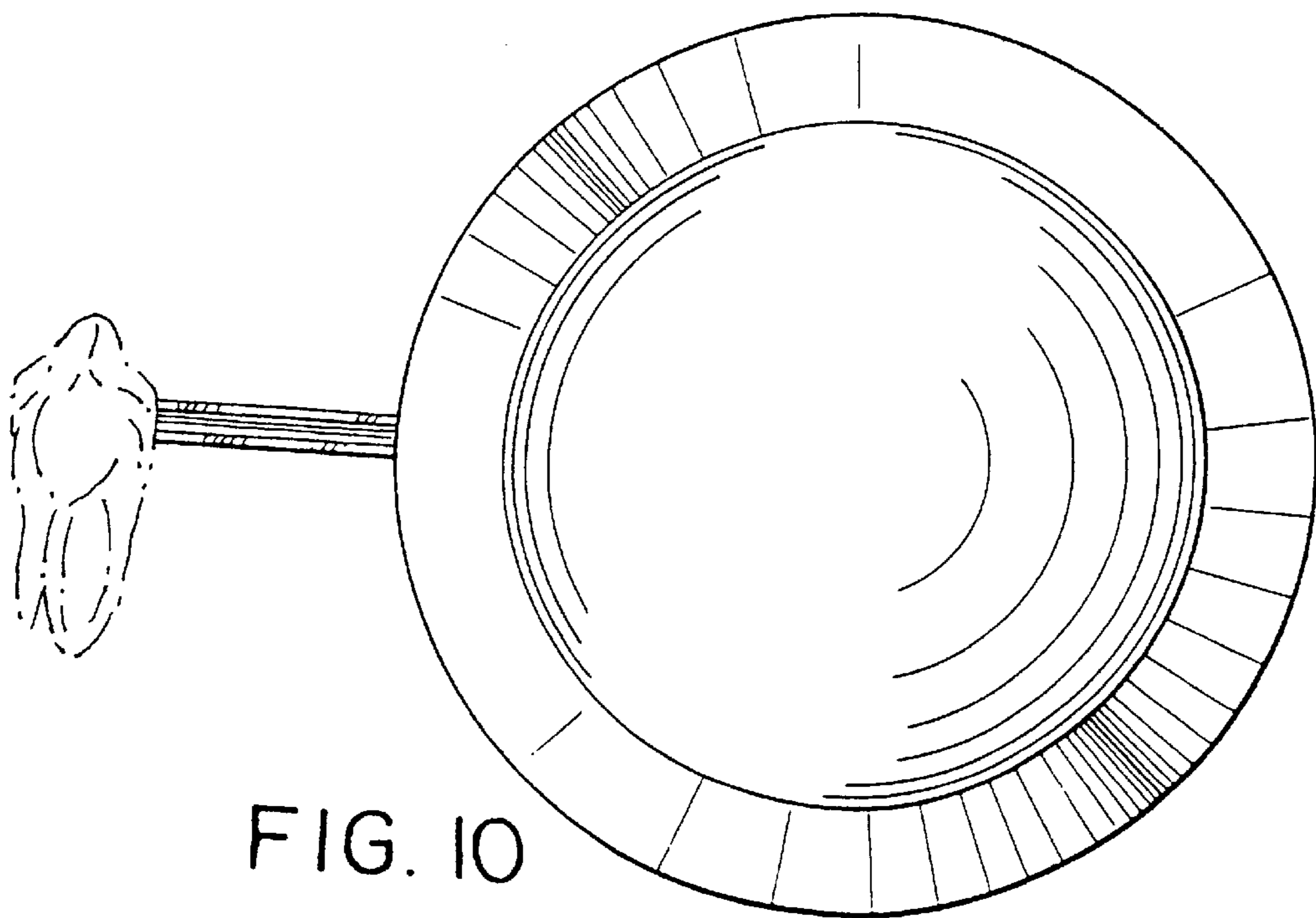


FIG. 10