



US00D411354S

# United States Patent [19] Wilson

[11] **Patent Number: Des. 411,354**  
[45] **Date of Patent: \*\* Jun. 22, 1999**

[54] **STORAGE BAG FOR USE WITH A CHAIR**

[76] Inventor: **Leslie Wilson**, 130 Pembroke St.,  
Brooklyn, N.Y. 11235

[\*\*] Term: **14 Years**

[21] Appl. No.: **29/091,799**

[22] Filed: **Aug. 6, 1998**

[51] **LOC (6) Cl. .... 03-99**

[52] **U.S. Cl. .... D3/328**

[58] **Field of Search** ..... D3/218, 224, 231,  
D3/283, 286, 304, 313, 315, 328; 206/425;  
248/95, 97, 101; 383/22, 23; 297/188.01,  
188.02, 188.04, 188.05, 188.06, 452.11;  
D6/335-336, 339, 380, 502, 570, 573;  
D12/416, 414.1

[56] **References Cited**

**U.S. PATENT DOCUMENTS**

D. 324,953	3/1992	Swanner	.....	D12/416
D. 338,779	8/1993	Albert	.....	D12/416
D. 344,180	2/1994	Garcia	.....	D12/416
D. 355,555	2/1995	Ryan	.....	D6/569
D. 371,108	6/1996	Baker	.....	D12/416
D. 378,476	3/1997	Spaeth	.....	D6/335

D. 389,115	1/1998	Alves et al.	.....	D12/416
2,375,696	10/1945	Schick	.....	297/188.01
2,841,211	7/1958	Thompson	.....	297/188.06
4,807,929	2/1989	Balsbaugh	.....	297/188.04

*Primary Examiner*—Louis S. Zarfes  
*Assistant Examiner*—Robert Delehanty  
*Attorney, Agent, or Firm*—Goldstein & Canino

[57] **CLAIM**

The ornamental design for a storage bag for use with a chair, as shown and described.

**DESCRIPTION**

FIG. 1 is a diagrammatic perspective view of the storage bag for use with a chair, books and supplies shown in broken lines representing environmental association matter being for illustrative purposes only and forming no part of the invention.

FIG. 2 is a front elevational view thereof.

FIG. 3 is a rear elevational view thereof.

FIG. 4 is a left side elevational view thereof.

FIG. 5 is a right side elevational view thereof.

FIG. 6 is a top plan view of the storage bag for use with a chair; and,

FIG. 7 is a bottom plan view thereof.

**1 Claim, 3 Drawing Sheets**

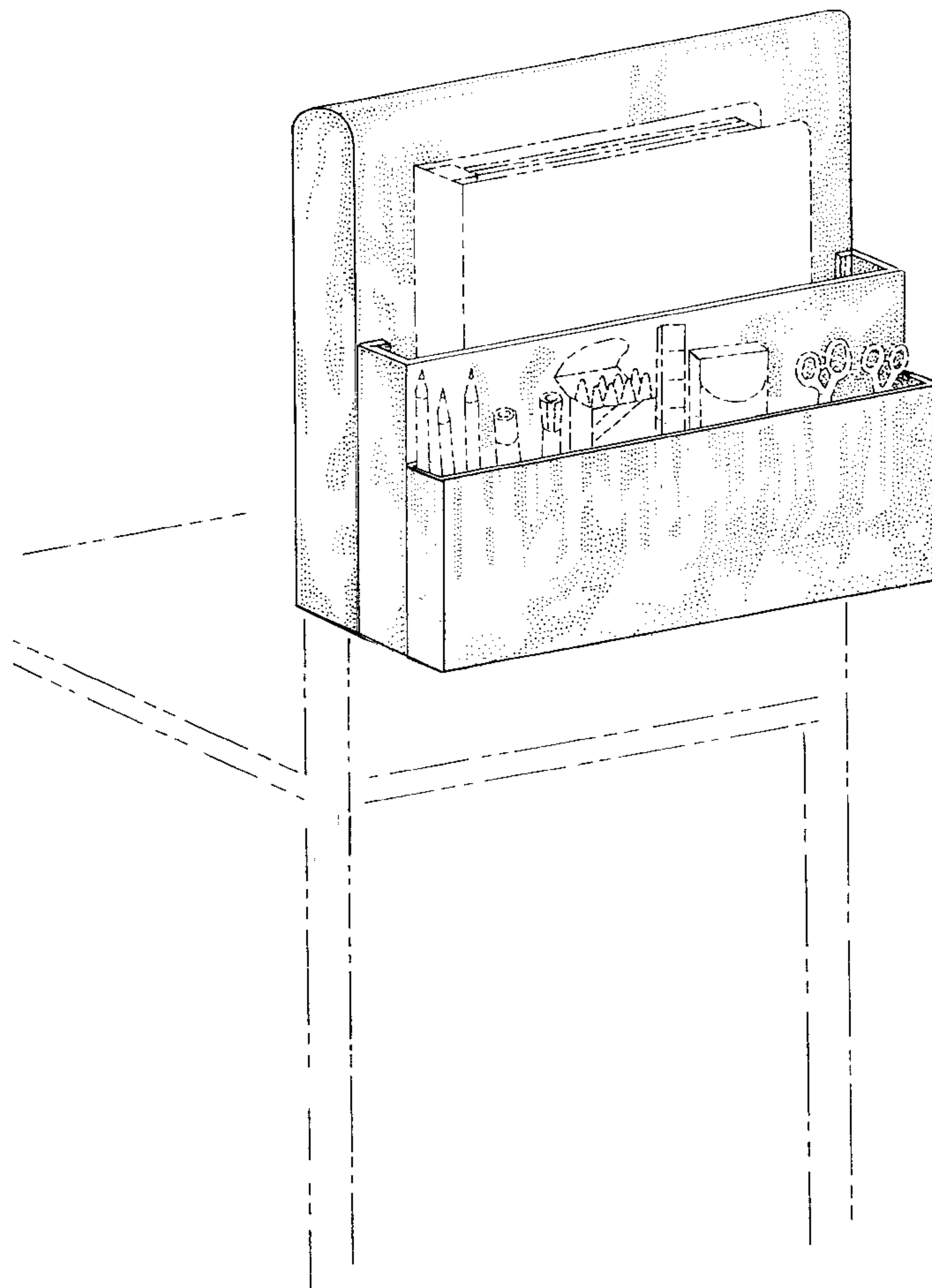


FIG. 1

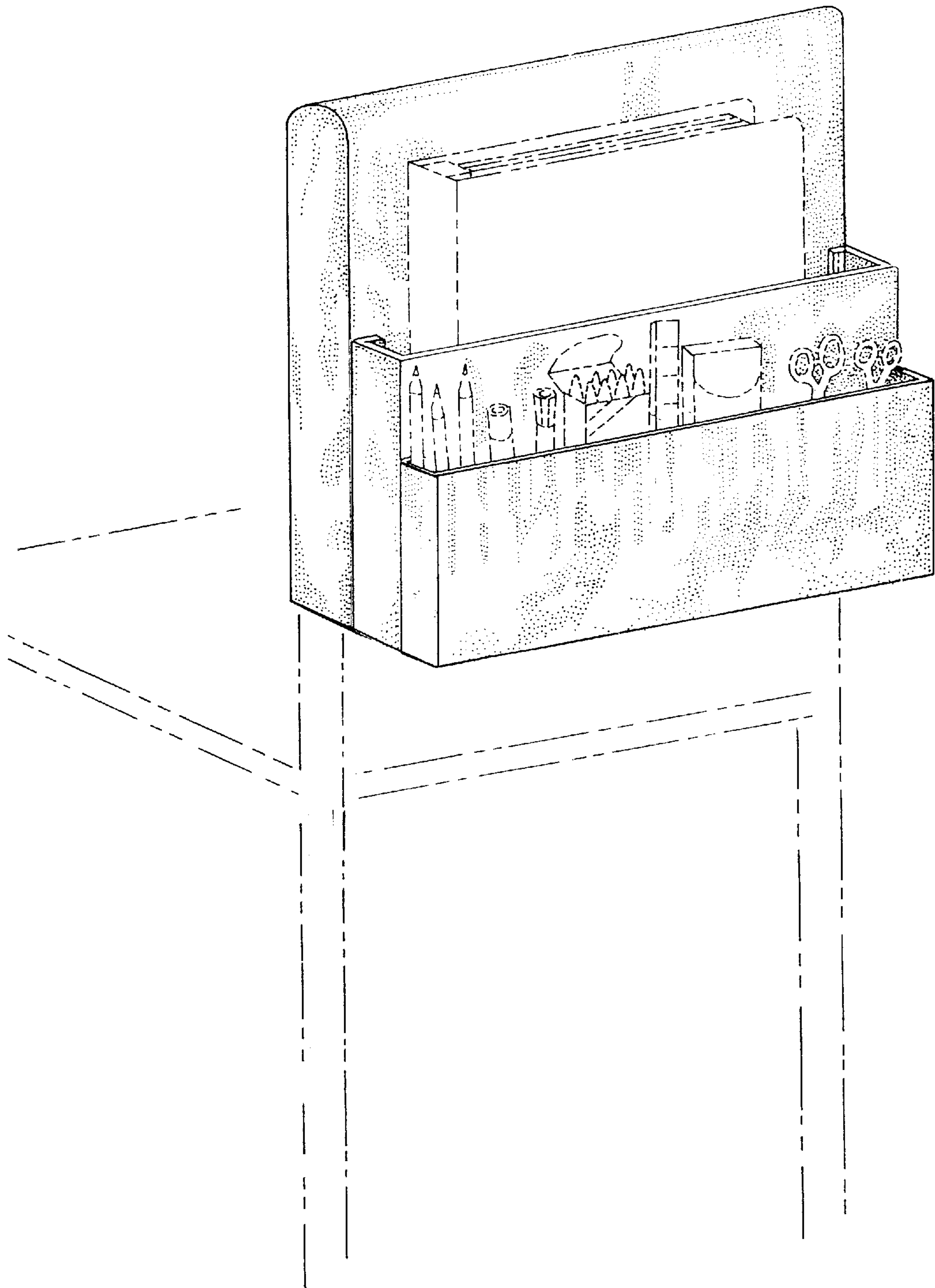


FIG. 2

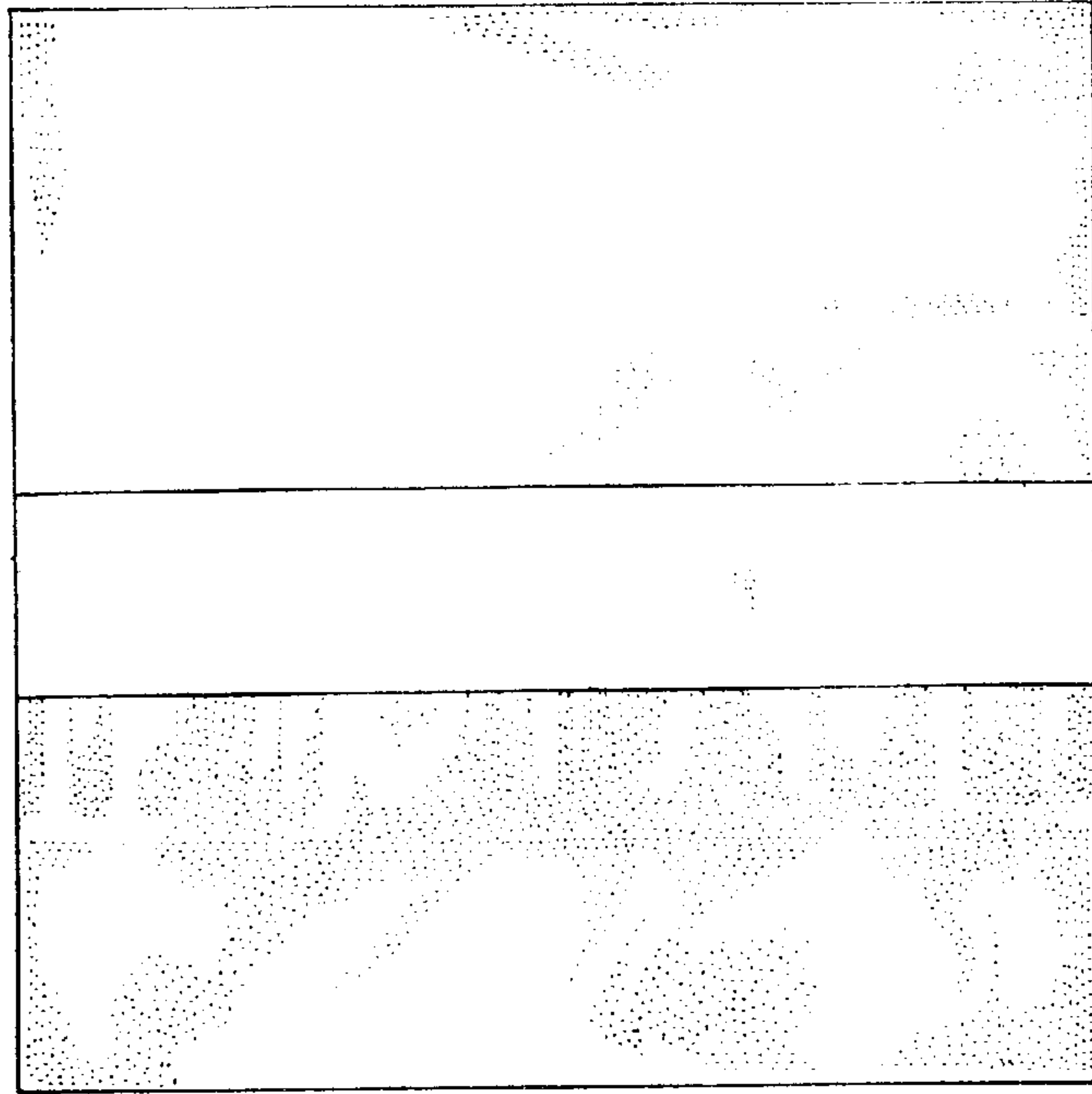


FIG. 3

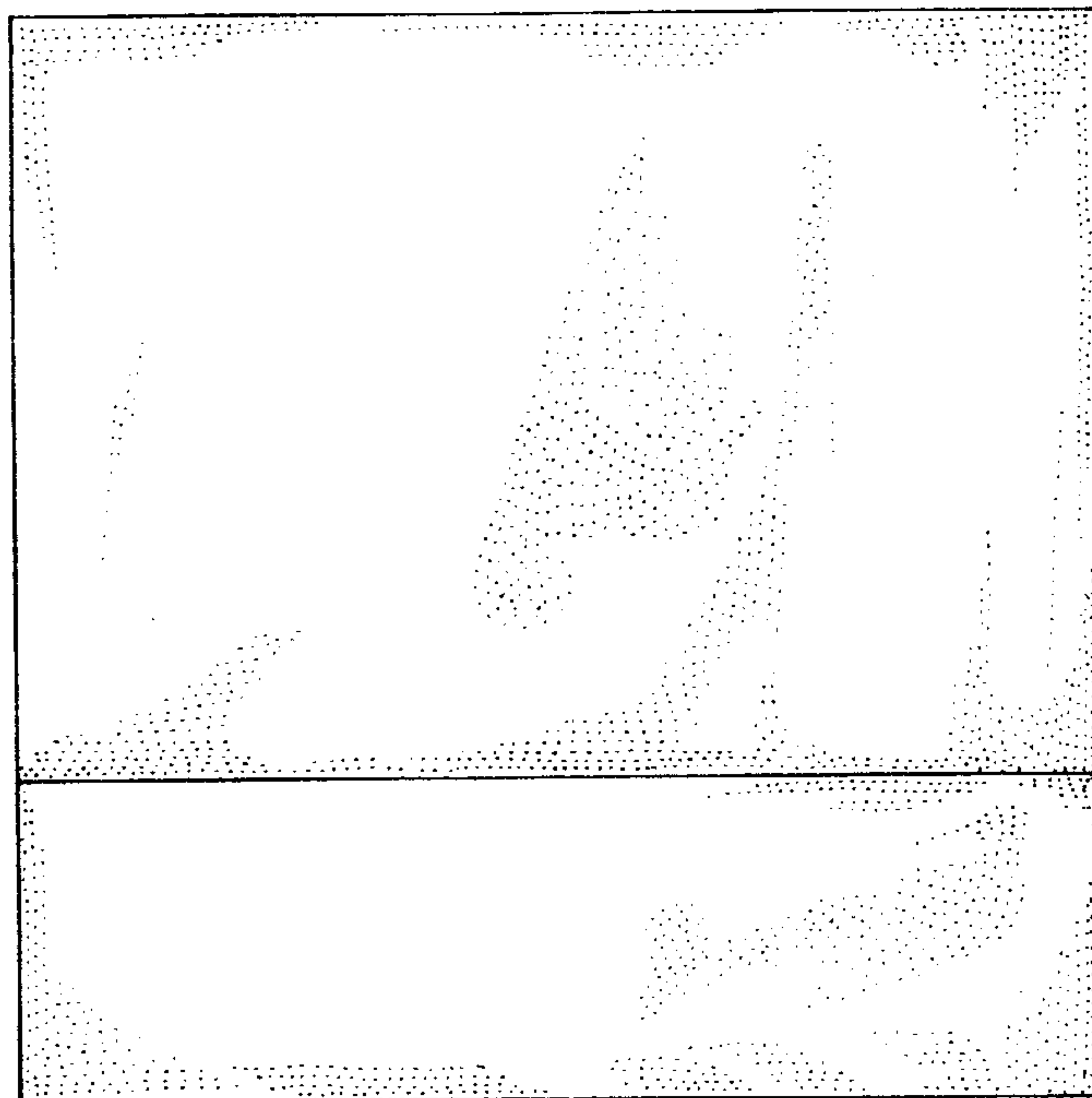


FIG. 4

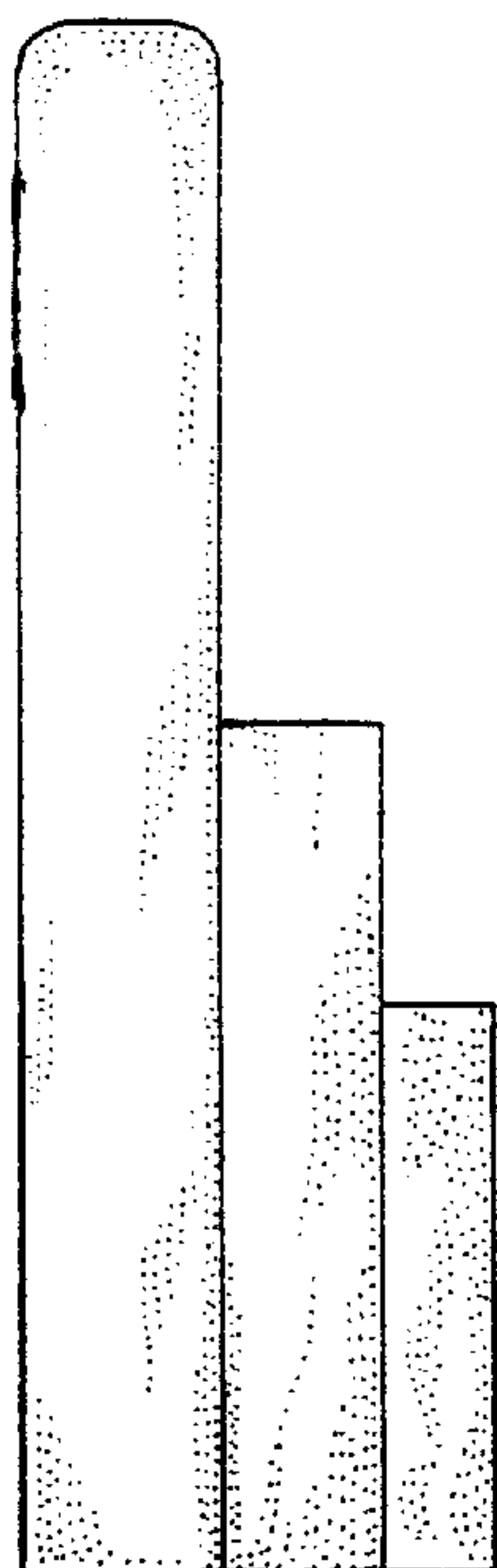


FIG. 5

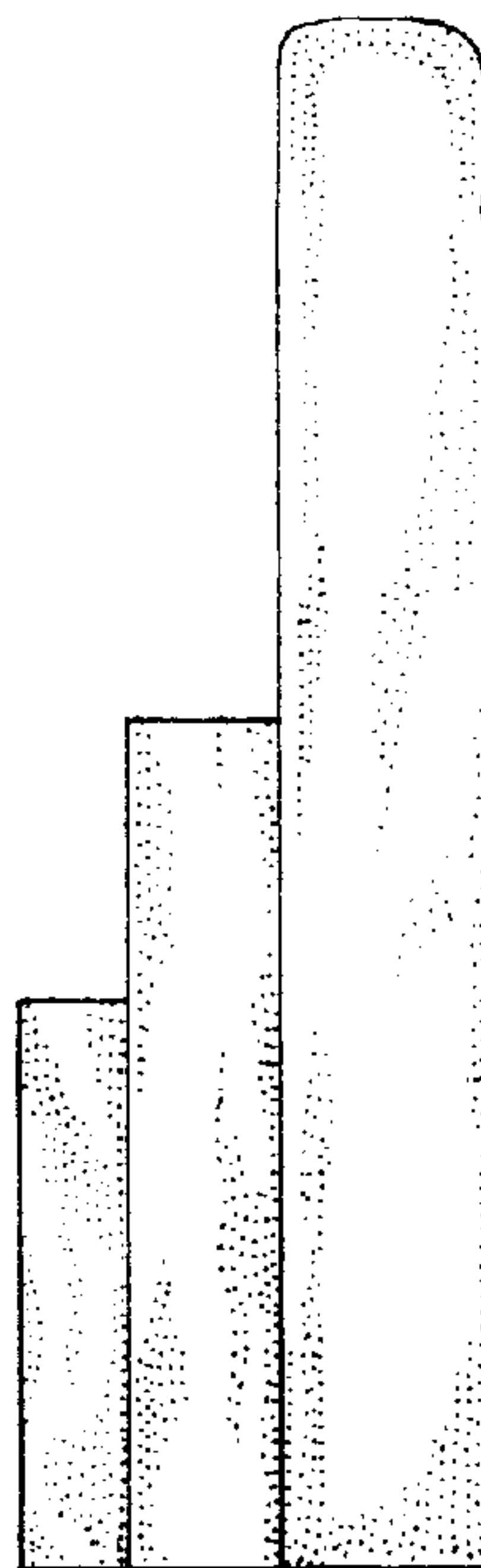


FIG. 6

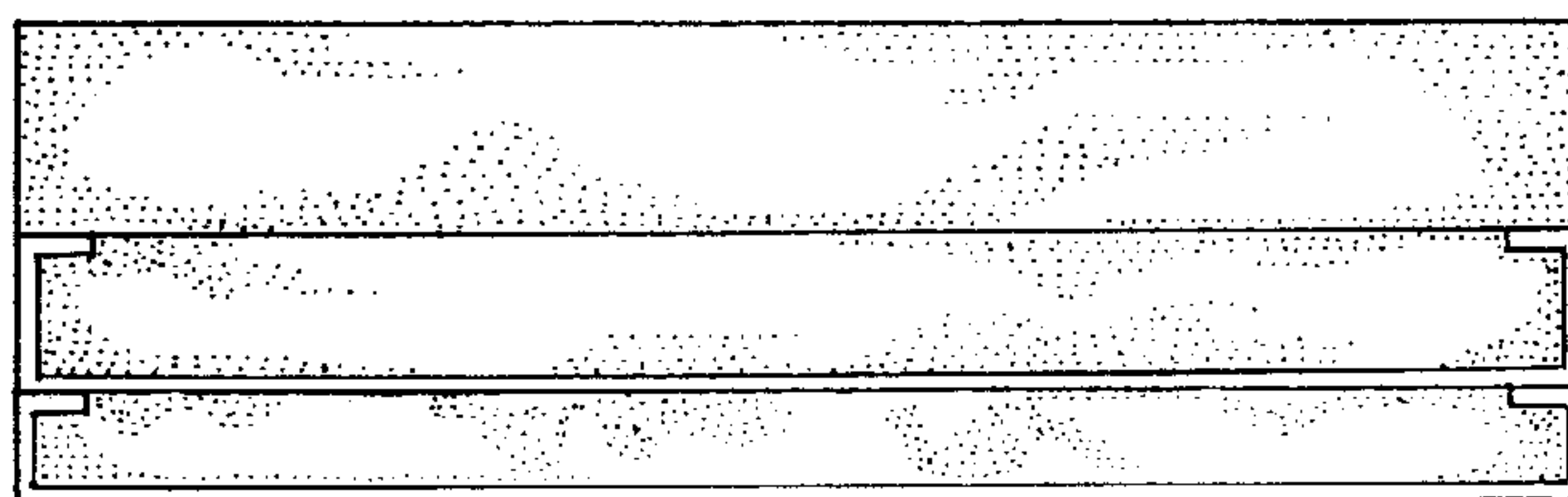


FIG. 7

