



US00D411352S

United States Patent [19]

[11] **Patent Number: Des. 411,352**

Golenz et al.

[45] **Date of Patent: ** Jun. 22, 1999**

[54] **TRAVEL BAG**

[75] Inventors: **Douglas J. Golenz**, Lakewood, Colo.;
Thomas J. Melk, Chicago, Ill.

[73] Assignee: **Outer Circle Products, Ltd.**, Chicago, Ill.

[**] Term: **14 Years**

[21] Appl. No.: **29/082,403**

[22] Filed: **Jan. 21, 1998**

[51] **LOC (6) Cl.** **03-01**

[52] **U.S. Cl.** **D3/301; D3/283**

[58] **Field of Search** **D3/283, 273, 286,**
D3/287, 289, 301; 190/100, 110, 111, 115;
D7/332

[56] **References Cited**

U.S. PATENT DOCUMENTS

D. 268,711	4/1983	Outcalt	D3/283
D. 273,535	4/1984	Weinreb	D3/289
D. 281,647	12/1985	Bome et al.	D3/287
D. 292,846	11/1987	Kim	D3/287
D. 299,406	1/1989	Jacober	D7/332
D. 328,550	8/1992	Mogil et al.	D7/605
D. 340,356	10/1993	Hughes	D3/283
D. 355,301	2/1995	Tumulty	D3/289
4,673,117	6/1987	Calton	224/151
4,767,039	8/1988	Jacober	224/151

Primary Examiner—Philip S. Hyder
Attorney, Agent, or Firm—Trexler, Bushnell, Giangiorgi & Blackstone, Ltd.

[57] **CLAIM**

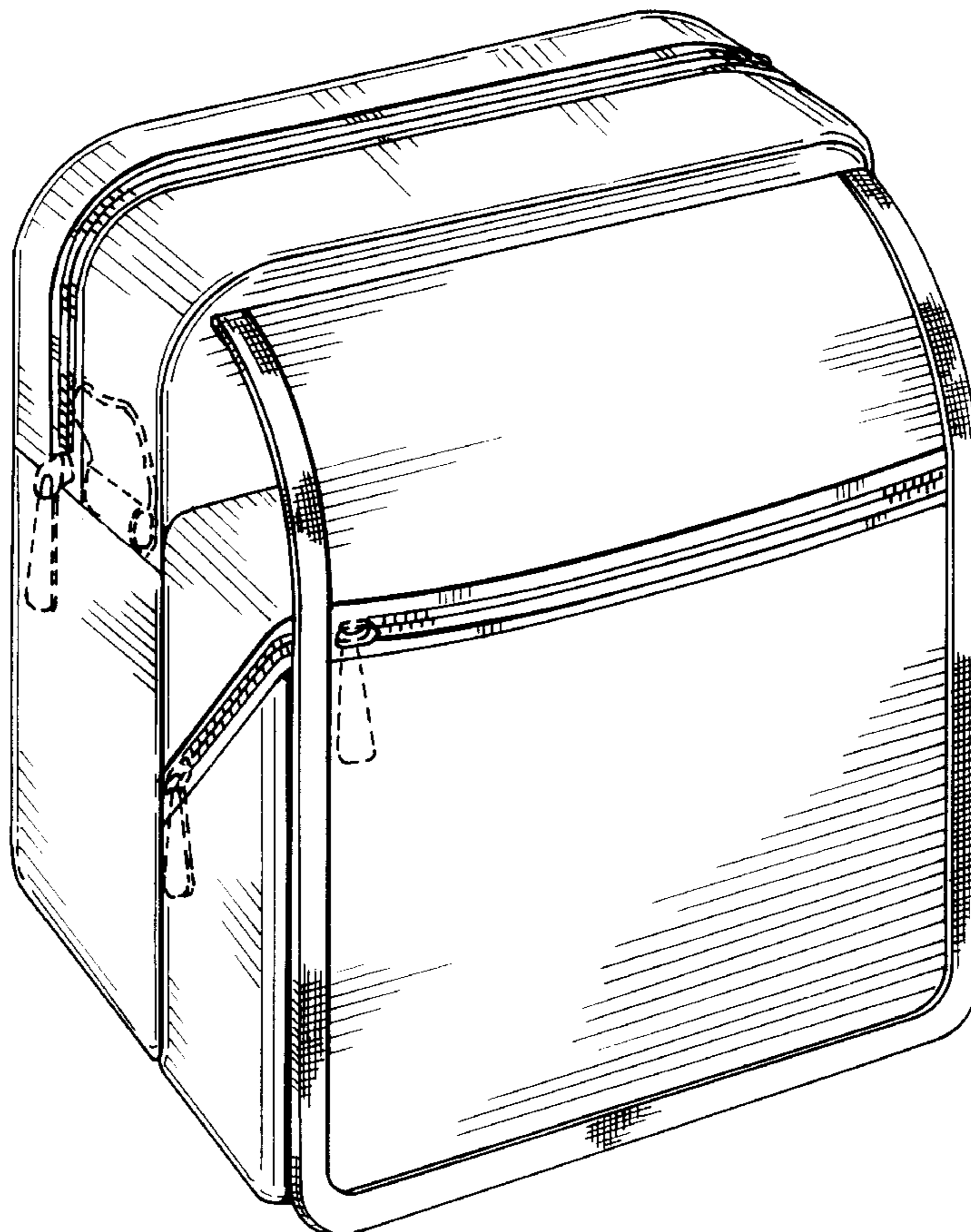
The ornamental design for a travel bag, as shown and described.

DESCRIPTION

FIG. 1 is a top, left side, perspective view of a travel bag of the present design;
 FIG. 2 is a top, right side, perspective view thereof;
 FIG. 3 is a left side elevational view thereof;
 FIG. 4 is a front elevational view thereof;
 FIG. 5 is a right side elevational view thereof;
 FIG. 6 is a rear elevational view thereof;
 FIG. 7 is a top plan view thereof;
 FIG. 8 is a bottom plan view thereof;
 FIG. 9 is a top, left side, perspective view thereof with a flap being raised to show a portion of the travel bag covered thereby;
 FIG. 10 is an alternate embodiment of the travel bag shown in FIG. 9; and,
 FIG. 11 is an alternate embodiment of the travel bag shown in FIG. 1.

The broken line portions of the drawings are for illustrative purposes only and form no part of the claimed design.

1 Claim, 8 Drawing Sheets



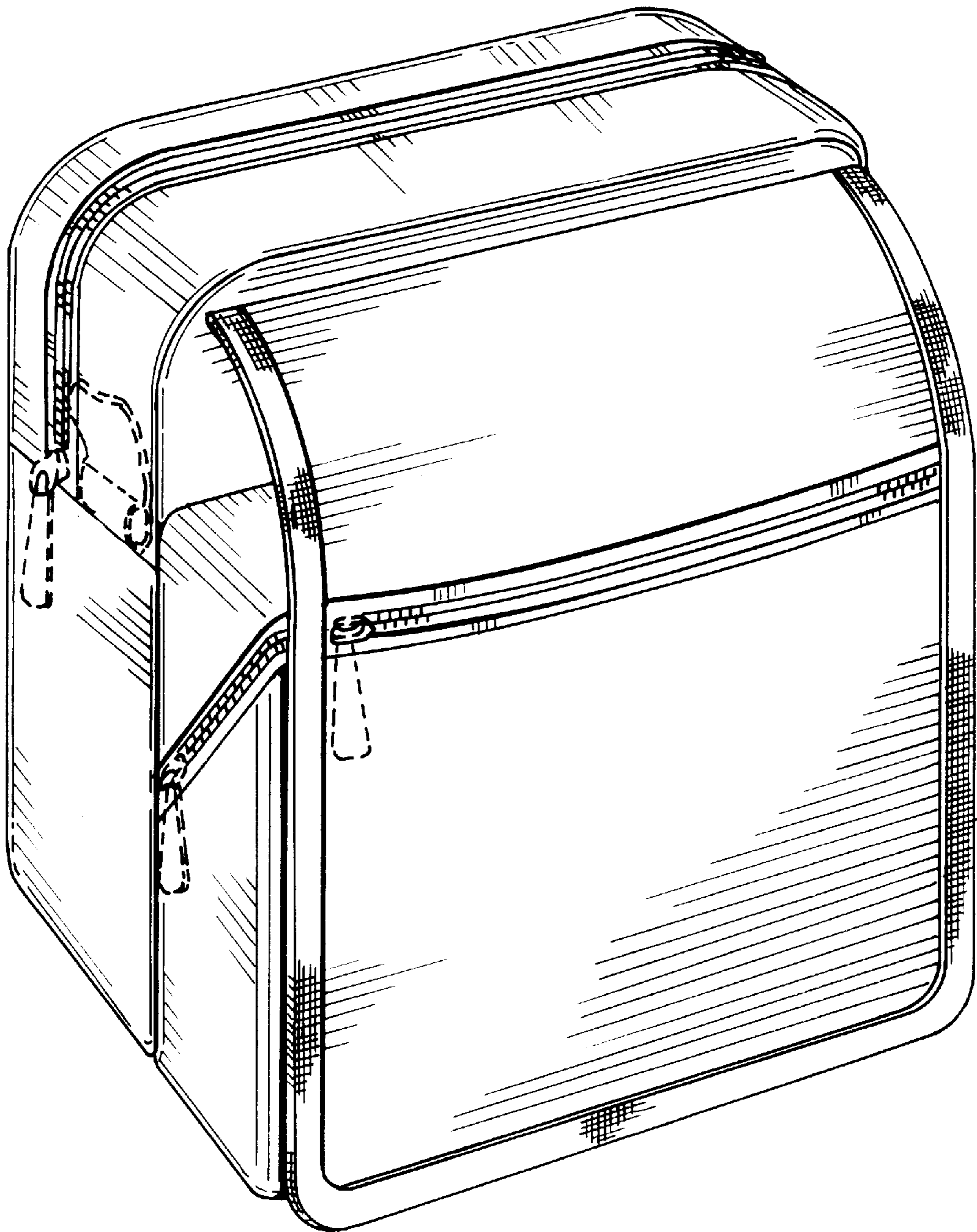


FIG. 1

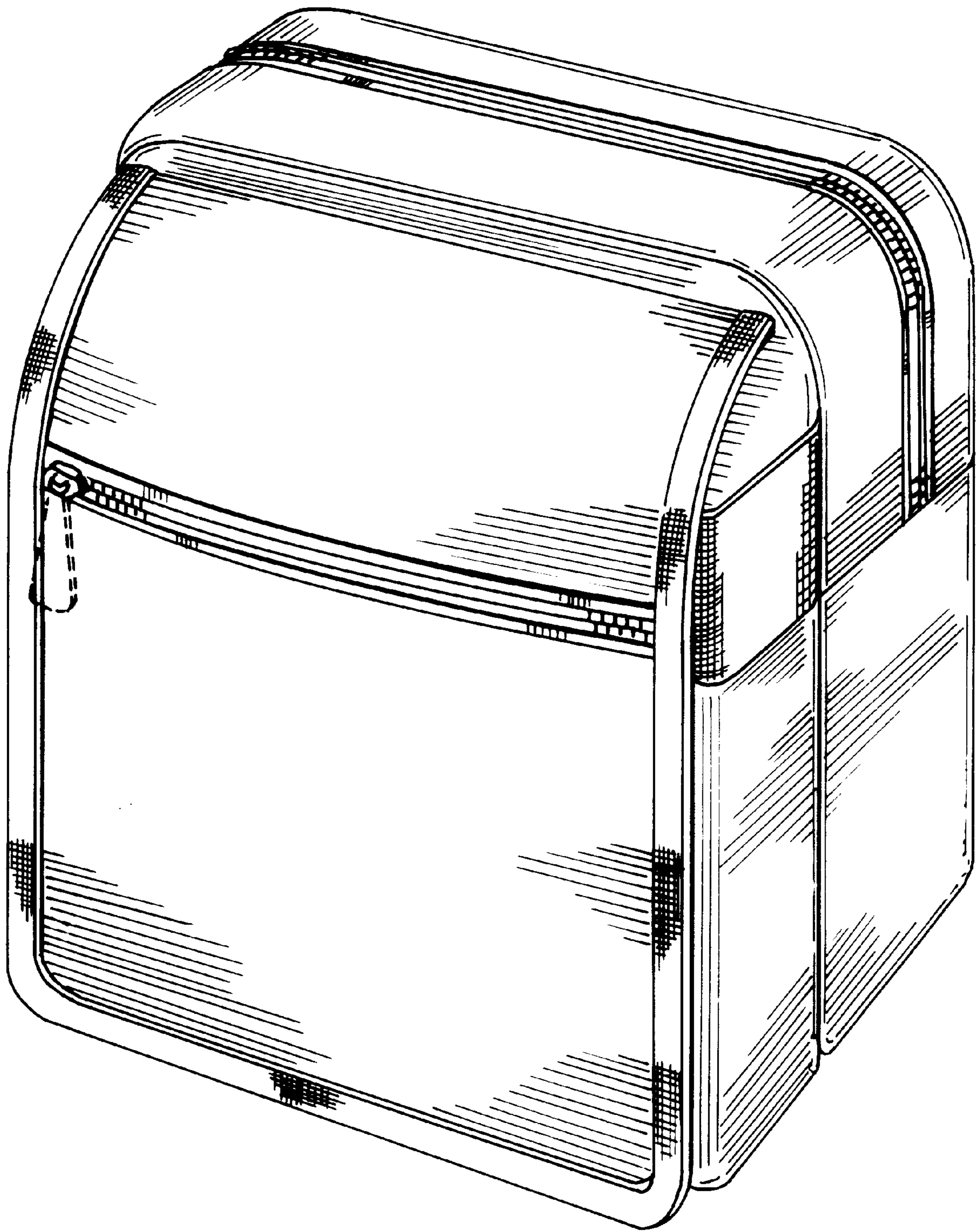


FIG. 2

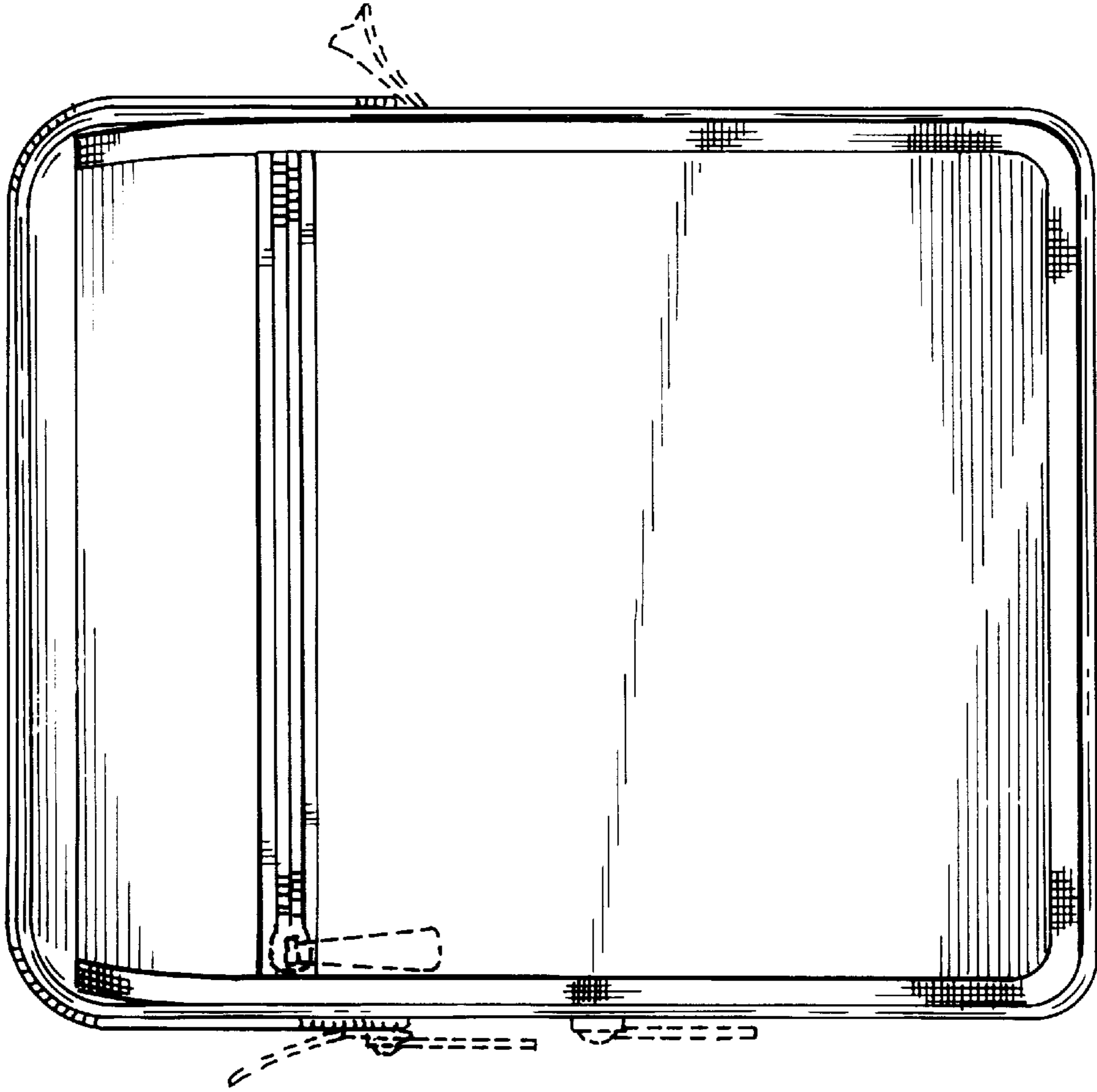


FIG. 3

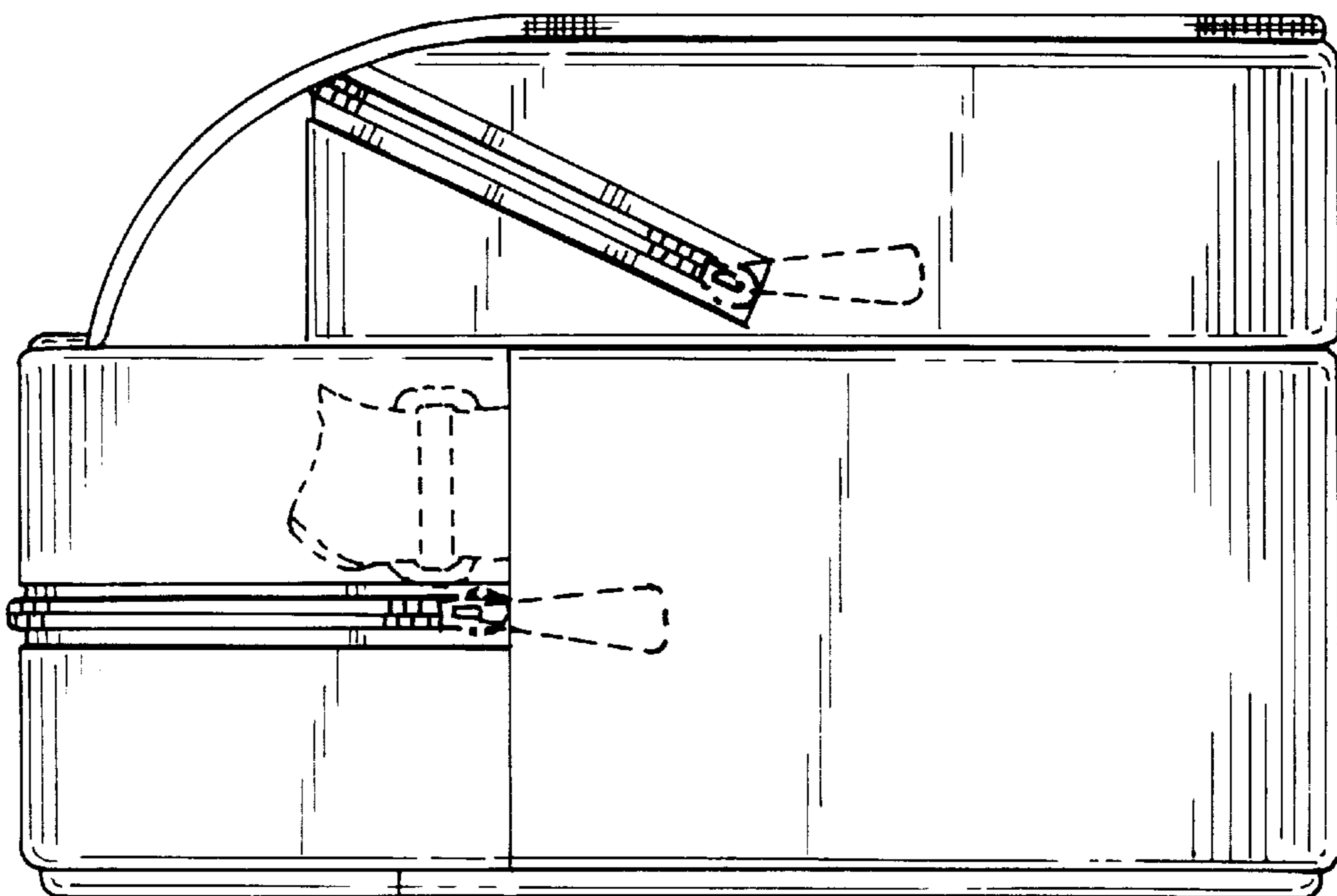


FIG. 4

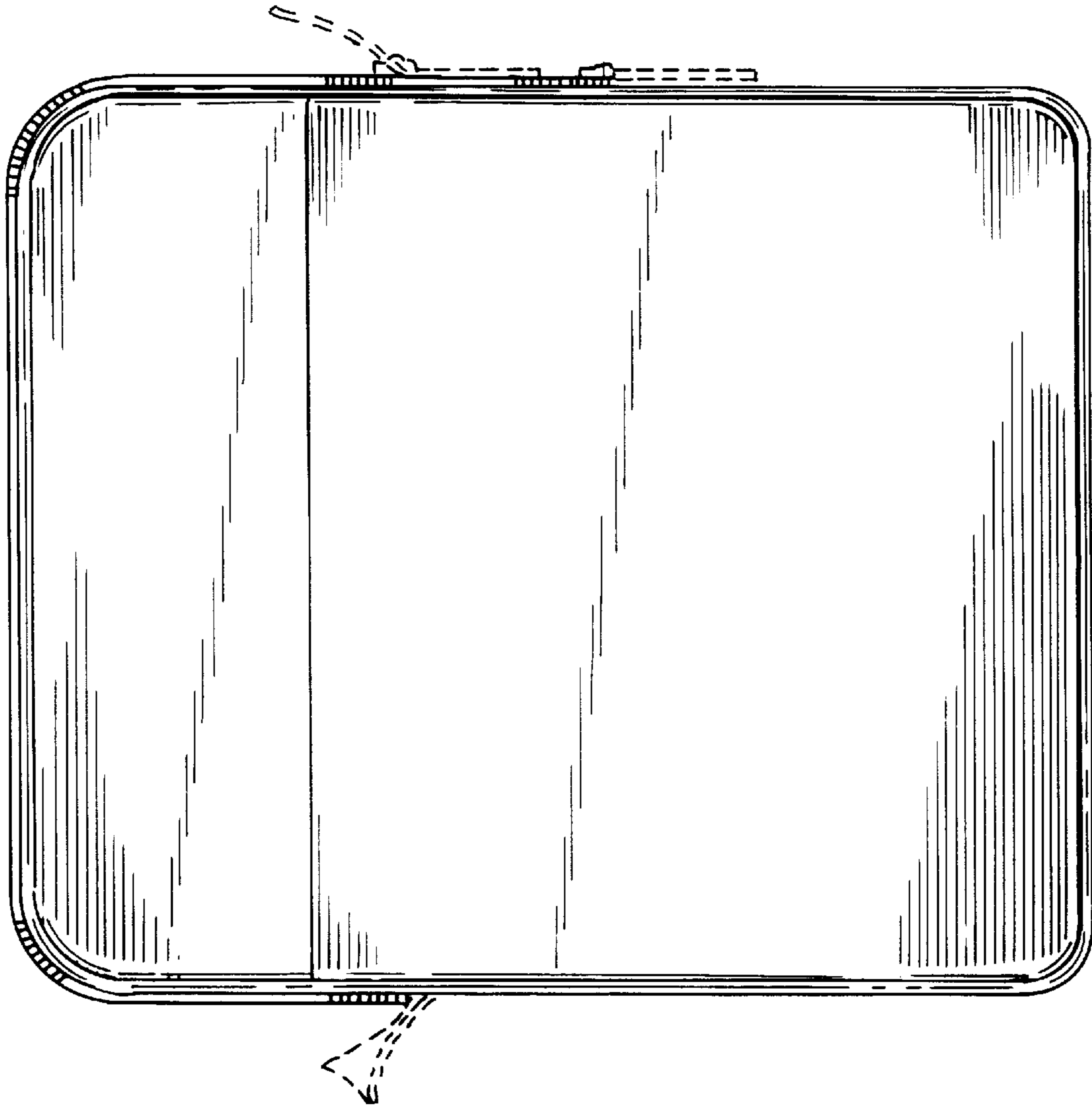


FIG. 6

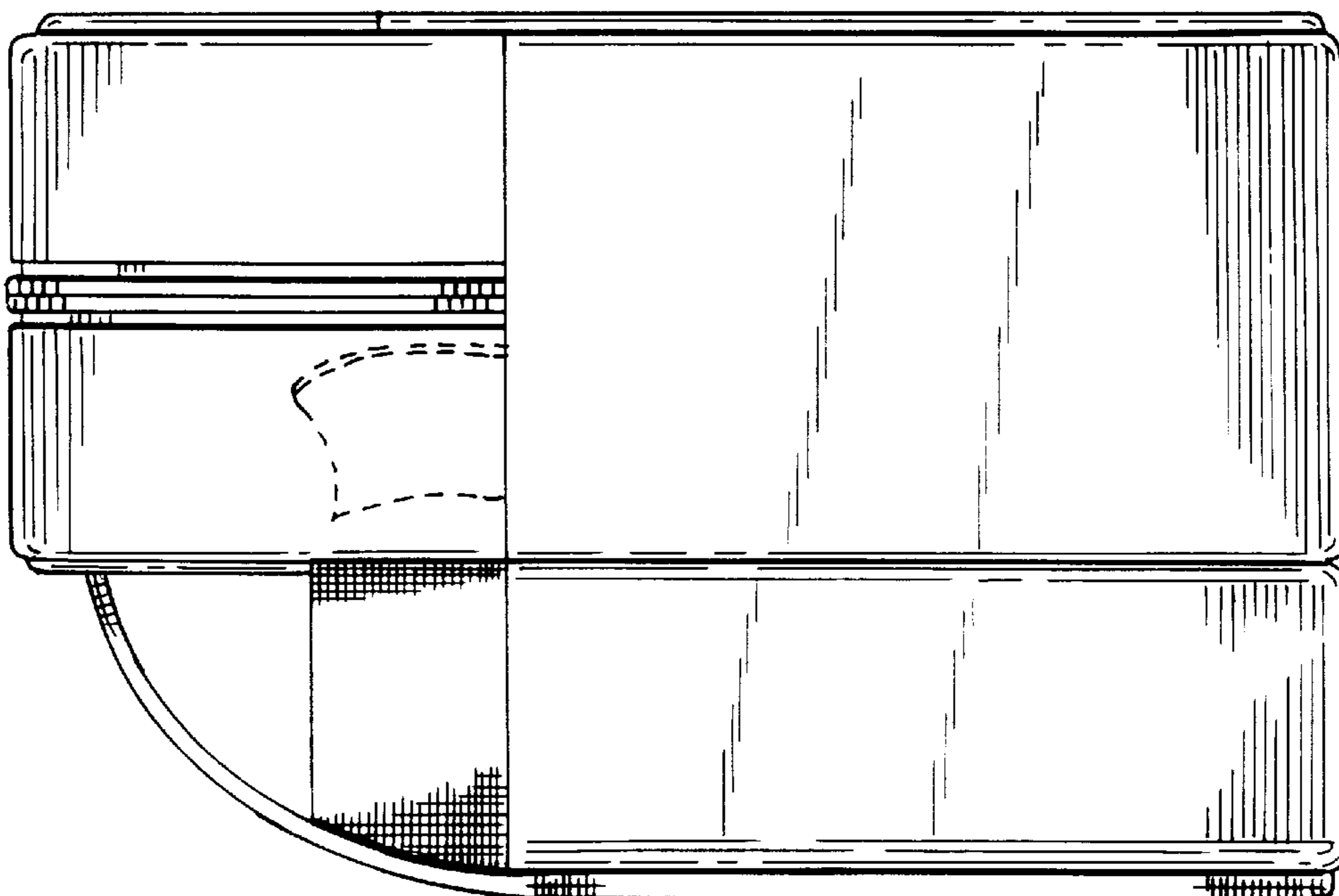


FIG. 5

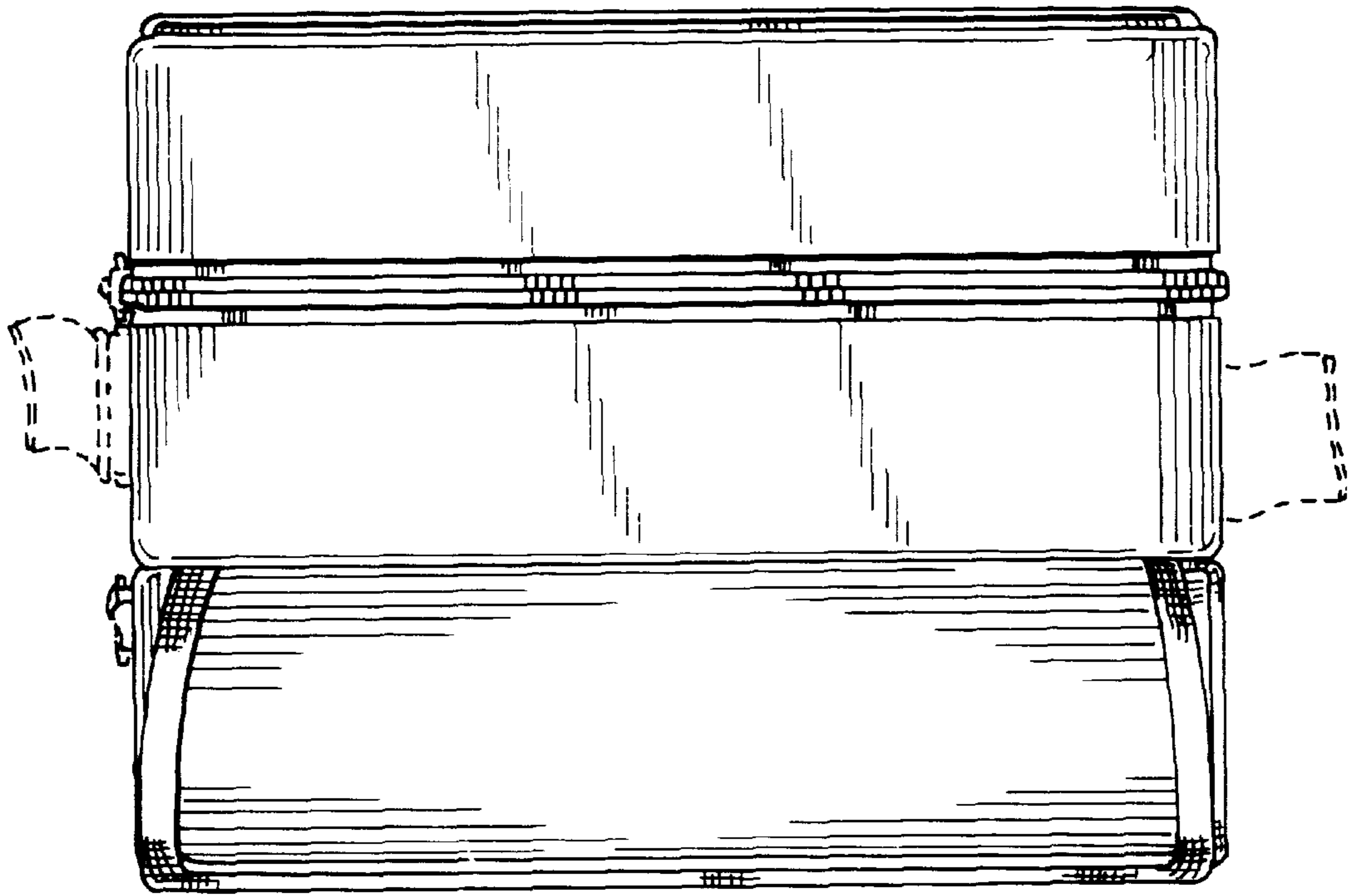


FIG. 7

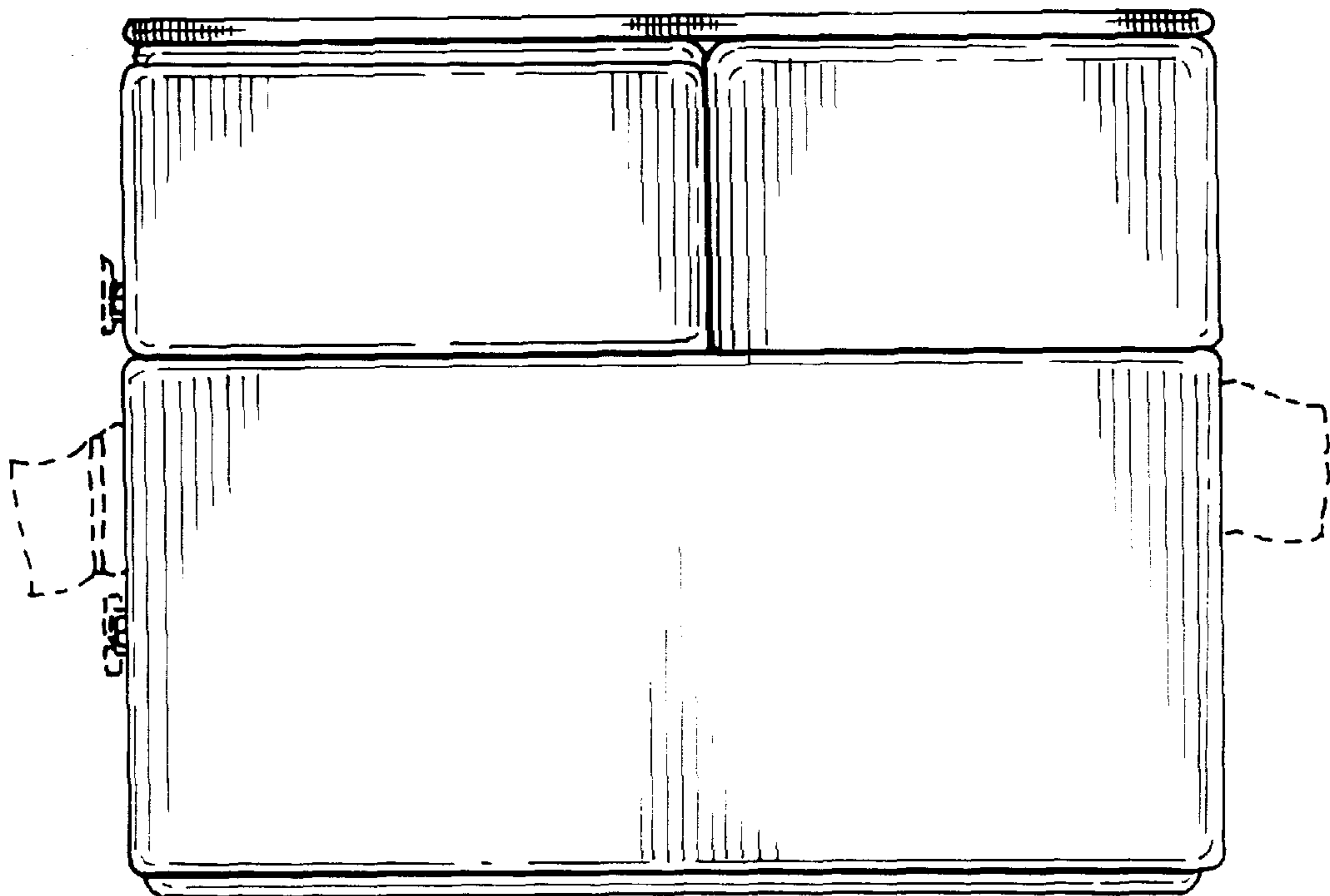


FIG. 8

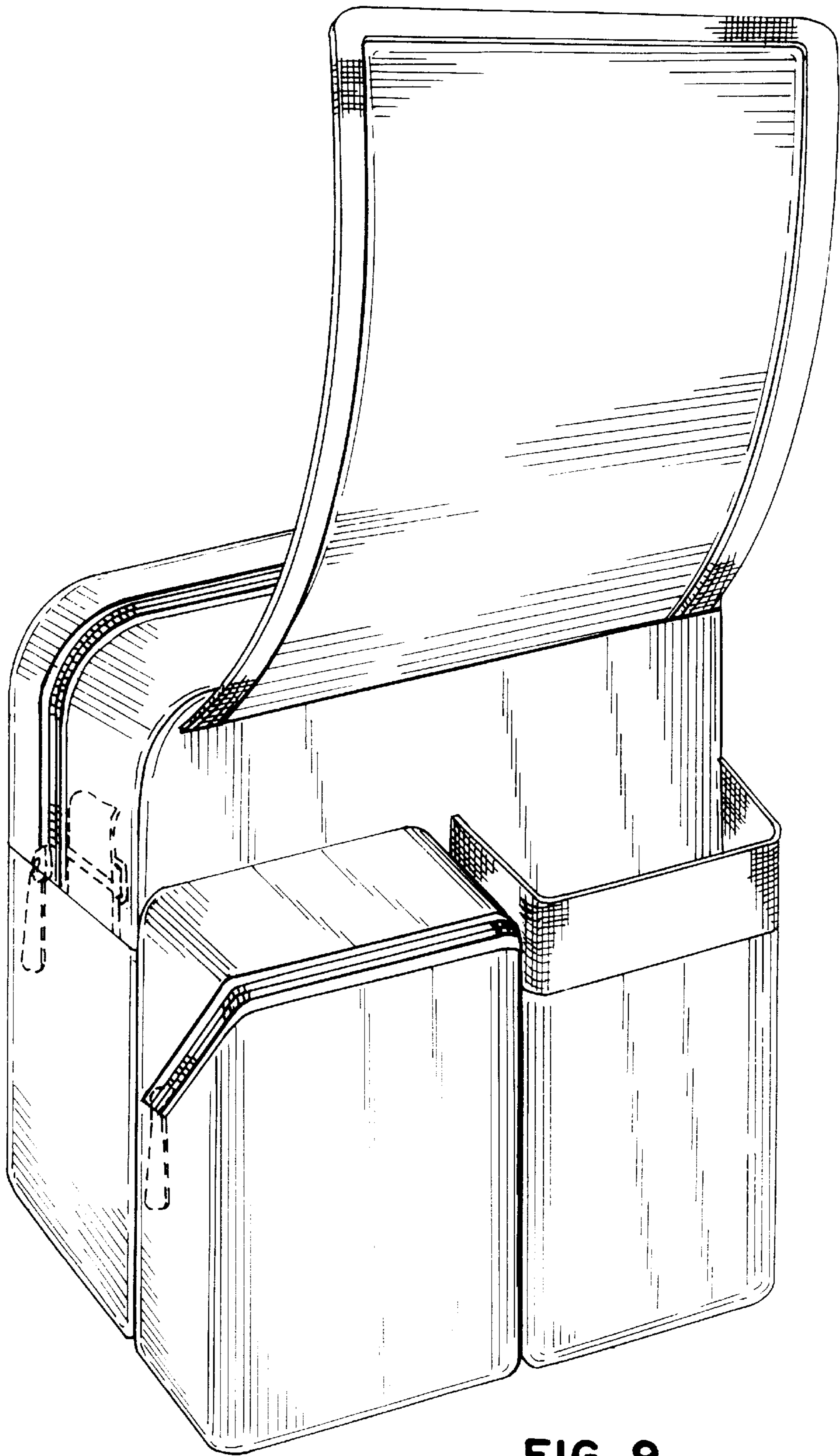


FIG. 9

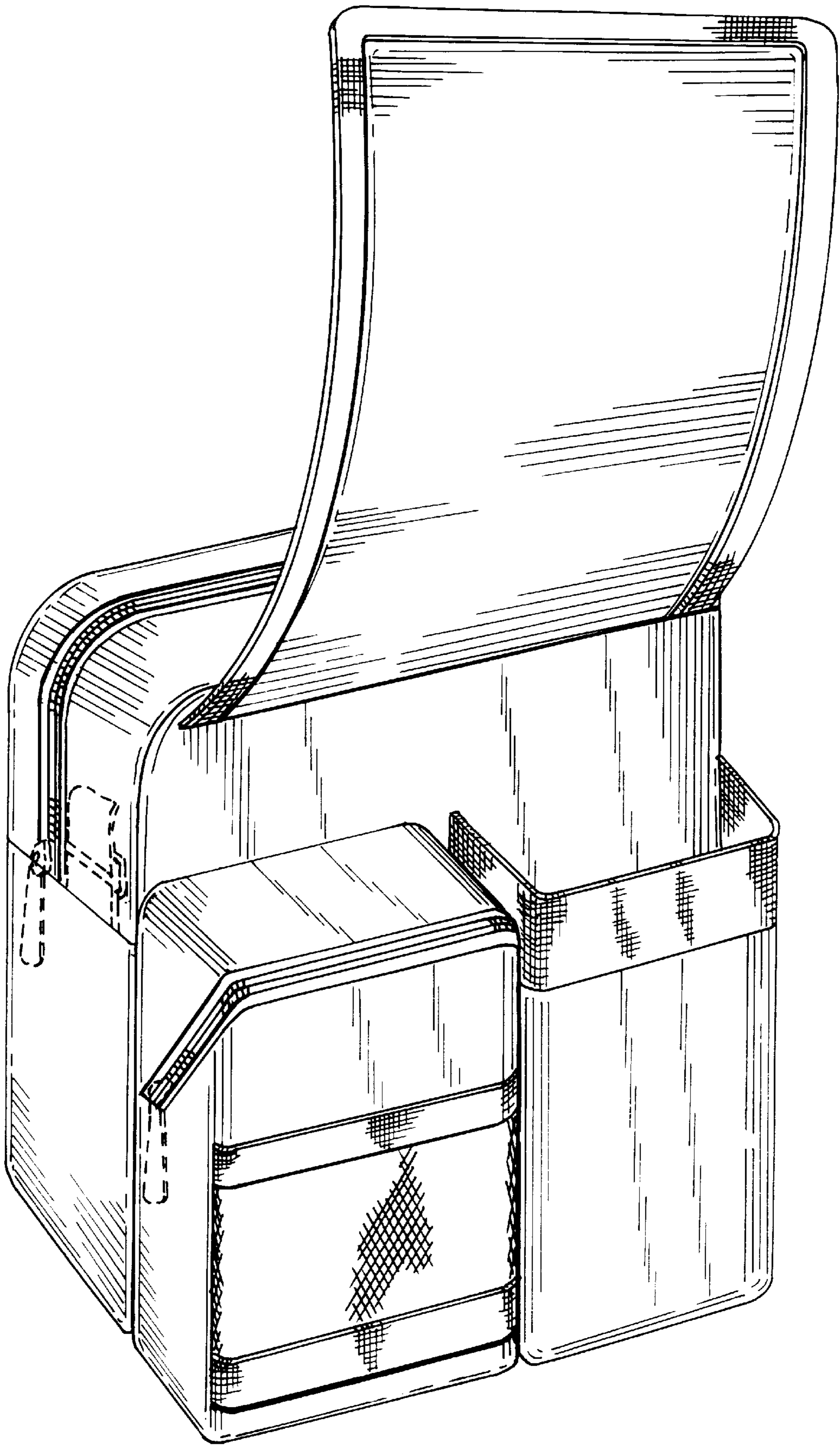


FIG. 10

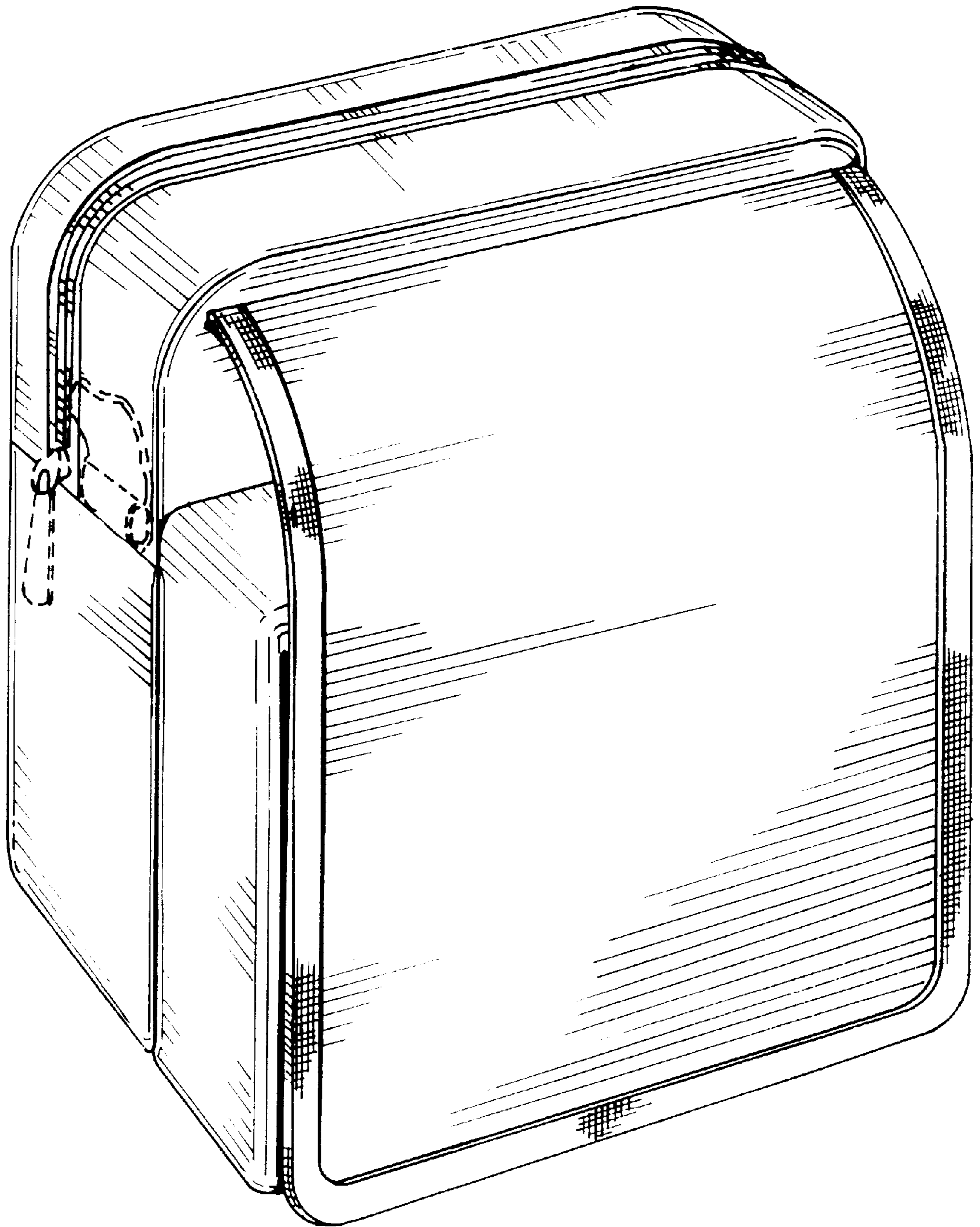


FIG. 11