



US00D411351S

United States Patent [19]

Kohagen et al.

[11] Patent Number: Des. 411,351

[45] Date of Patent: ** Jun. 22, 1999

[54] STEP TOOL BOX

[75] Inventors: Steven Frederick Kohagen, Waverly;
Fred Philip Ritchie, Waterloo; Deonna
Jene Fritz, LaPorte, all of Iowa

[73] Assignee: Waterloo Industries, Inc., Waterloo,
Iowa

[**] Term: 14 Years

[21] Appl. No.: 29/077,410

[22] Filed: Oct. 2, 1997

[51] LOC (6) Cl. 03-01

[52] U.S. Cl. D3/281; D3/274; D3/276;
D3/291; D3/905

[58] Field of Search D3/276, 274, 273,
D3/281, 904, 905, 294; 206/373, 378, 379,
682; 224/671, 677, 678, 679, 680, 681;
D6/336, 349, 350, 355; D9/424, 423, 425;
D25/63

[56] References Cited

U.S. PATENT DOCUMENTS

- D. 276,861 12/1984 Keddie .
- D. 314,472 2/1991 Brantingham et al. .
- D. 347,527 6/1994 Breen et al. .
- D. 354,210 1/1995 Dickinson et al. .
- D. 355,828 2/1995 Dickinson et al. D3/281 X
- D. 355,878 2/1995 Jenkins et al. .
- D. 378,874 4/1997 Dickinson et al. D3/281
- D. 379,266 5/1997 Dickinson et al. D3/281
- D. 382,113 8/1997 DuRapau .
- D. 389,309 1/1998 Shaw D3/905 X
- 3,606,511 9/1971 Henning et al. D3/905 X
- 4,356,916 11/1982 Anglemyer .
- 4,366,998 1/1983 Kaiser .
- 4,458,963 7/1984 Keddie .
- 4,460,085 7/1984 Jantzen .
- 4,744,613 5/1988 Brantingham et al. .

- 4,768,651 9/1988 Lanius .
- 5,011,013 4/1991 Meisner et al. .
- 5,178,795 1/1993 Roberts .
- 5,344,339 9/1994 Cheslock .
- 5,439,108 8/1995 Lackie .
- 5,503,571 4/1996 Cheslock .
- 5,518,139 5/1996 Trower et al. .
- 5,595,778 1/1997 Huang et al. .
- 5,680,932 10/1997 Dickinson et al. .

OTHER PUBLICATIONS

- Catalog Page, Remline, Stand 'N Store Tool Box, #22500.
- Catalog Page, Rubbermaid, Step Stool Tool Box, No. 245-2999.
- Catalog Page, Rubbermaid, Tool Carriers, Stepstool Utility Box, Part No. 53790WR.
- Page 14, Craftsman catalog stool.
- Keter brochure for a super stool box.
- Page 6, Stand 'N Store Box catalog.
- Page 3, catalog entitled "Tool Storage".
- Page 23, Stack-On tool brochure.
- "Stand 'N Store" stool.

Primary Examiner—Louis G. Zarfes
Assistant Examiner—Catherine R. Olnier
Attorney, Agent, or Firm—Banner & Witcoff, Ltd.

[57] CLAIM

A step tool box, in the form described and depicted.

DESCRIPTION

FIG. 1 is a perspective view of the step tool box showing my new design;
FIG. 2 is a front elevational view thereof;
FIG. 3 is a top plan view thereof;
FIG. 4 is a side elevational view, with the opposite side being a mirror image thereof; and,
FIG. 5 is a rear elevational view thereof.
The bottom of claimed design is plain and unornamented

1 Claim, 3 Drawing Sheets

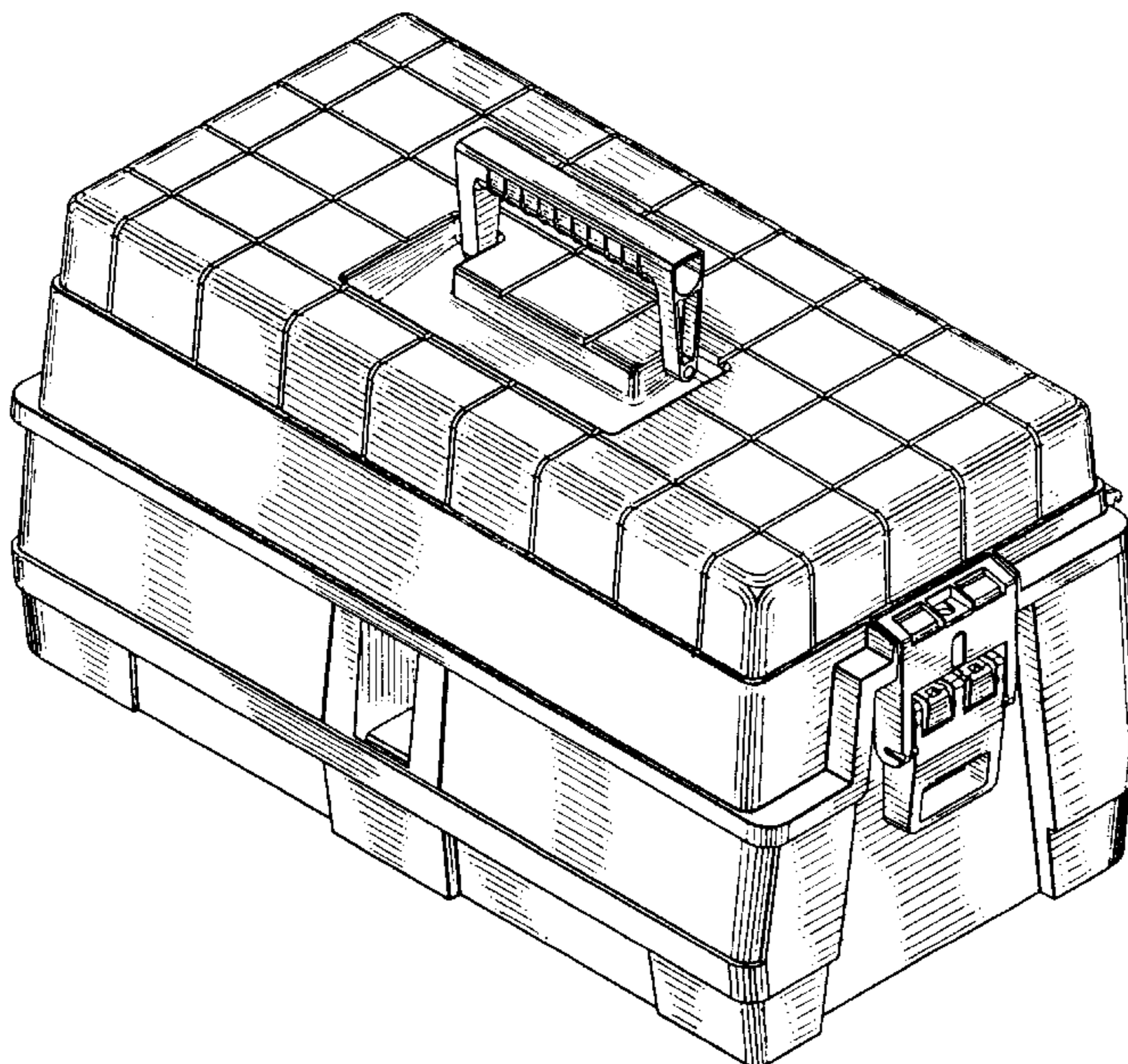


FIG. 1

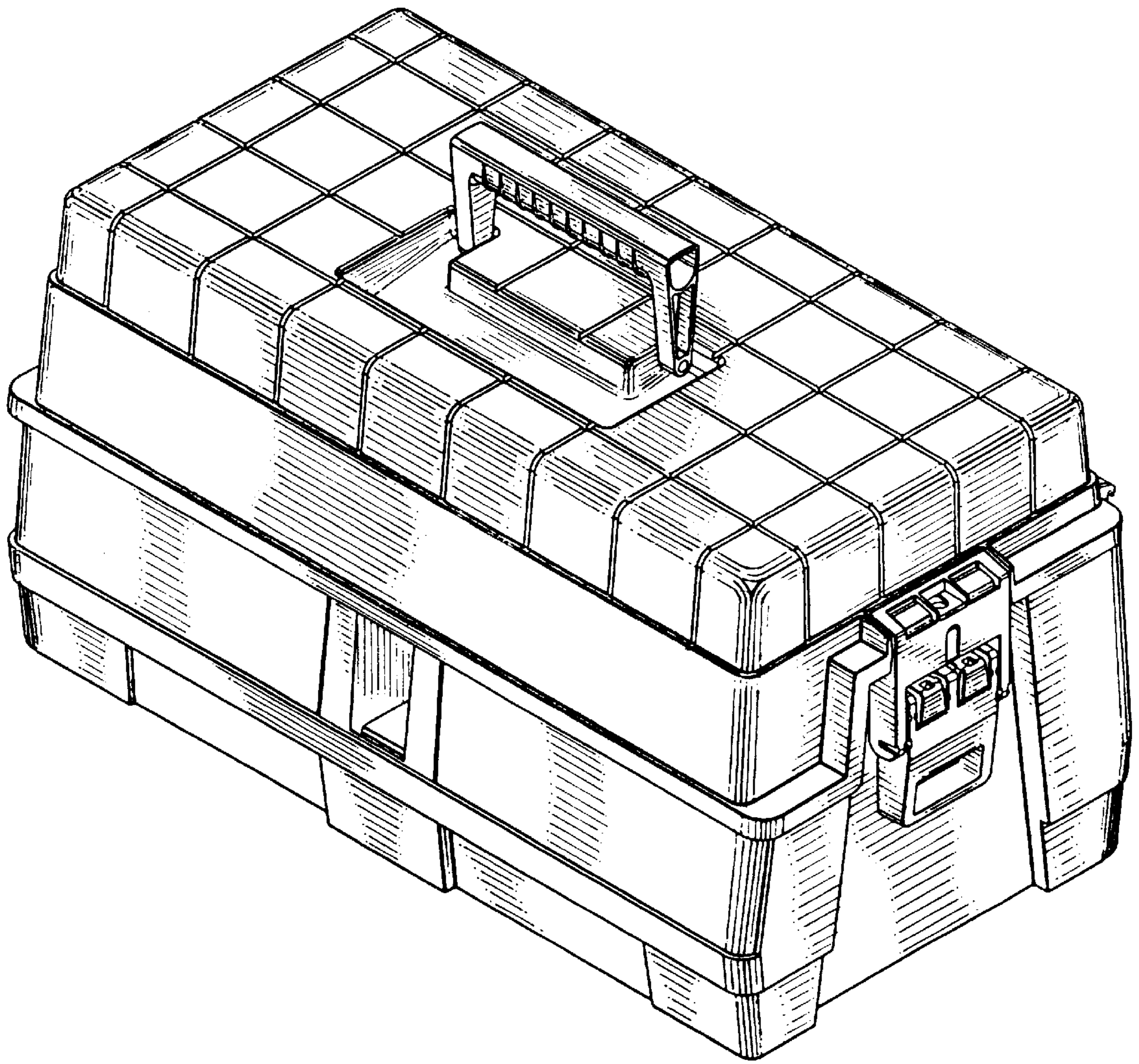


FIG. 2

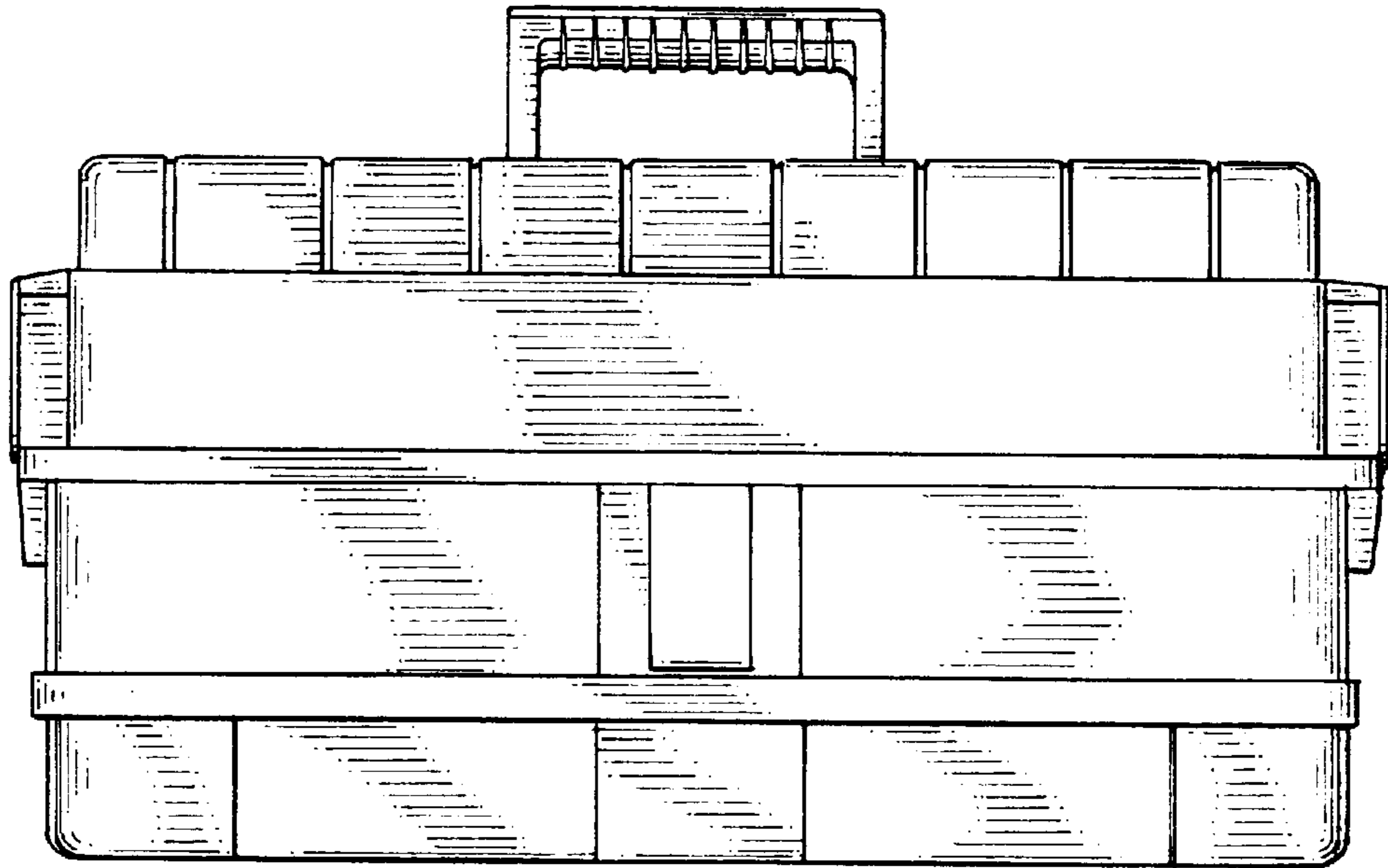


FIG. 3

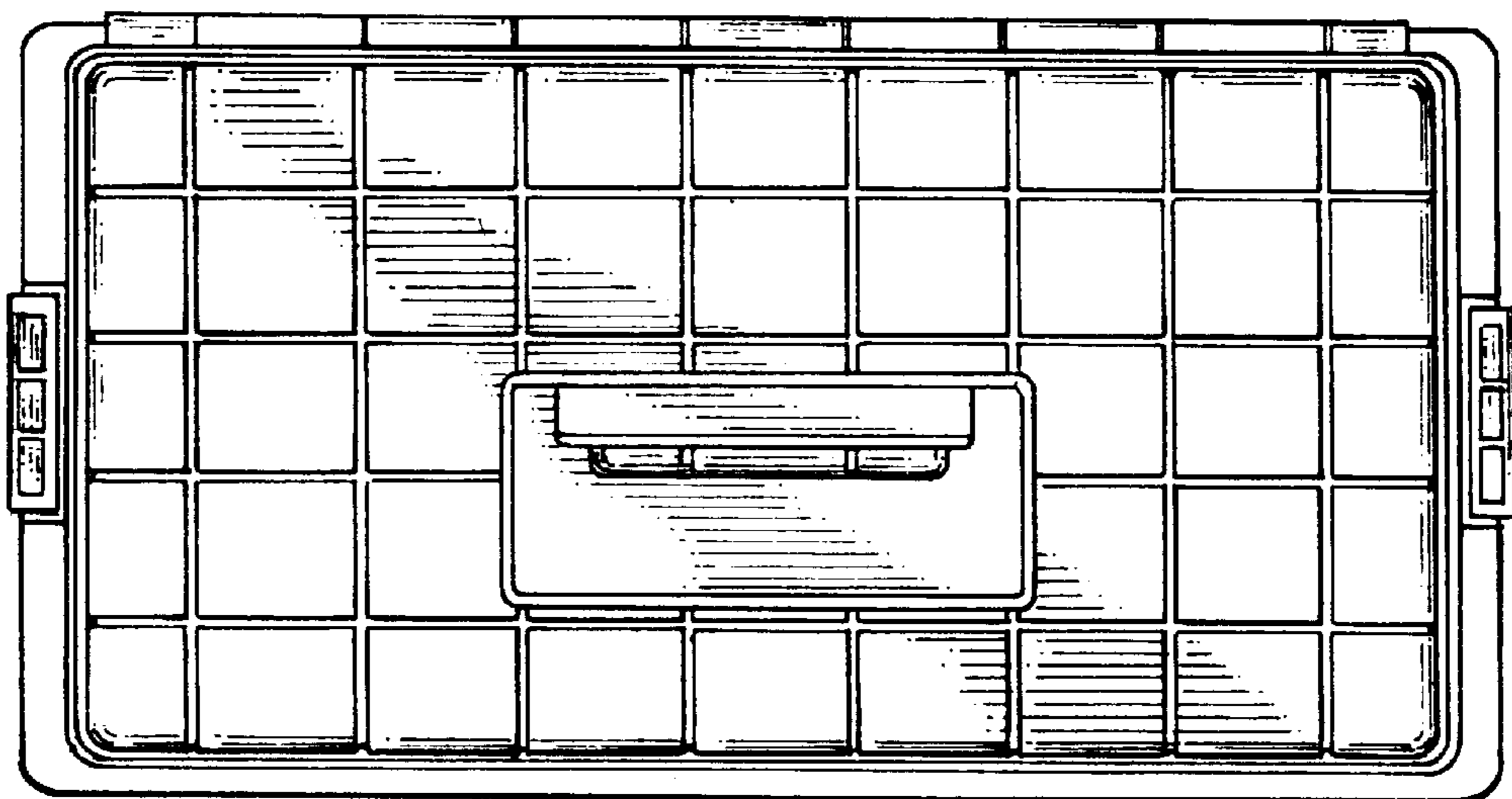


FIG. 4

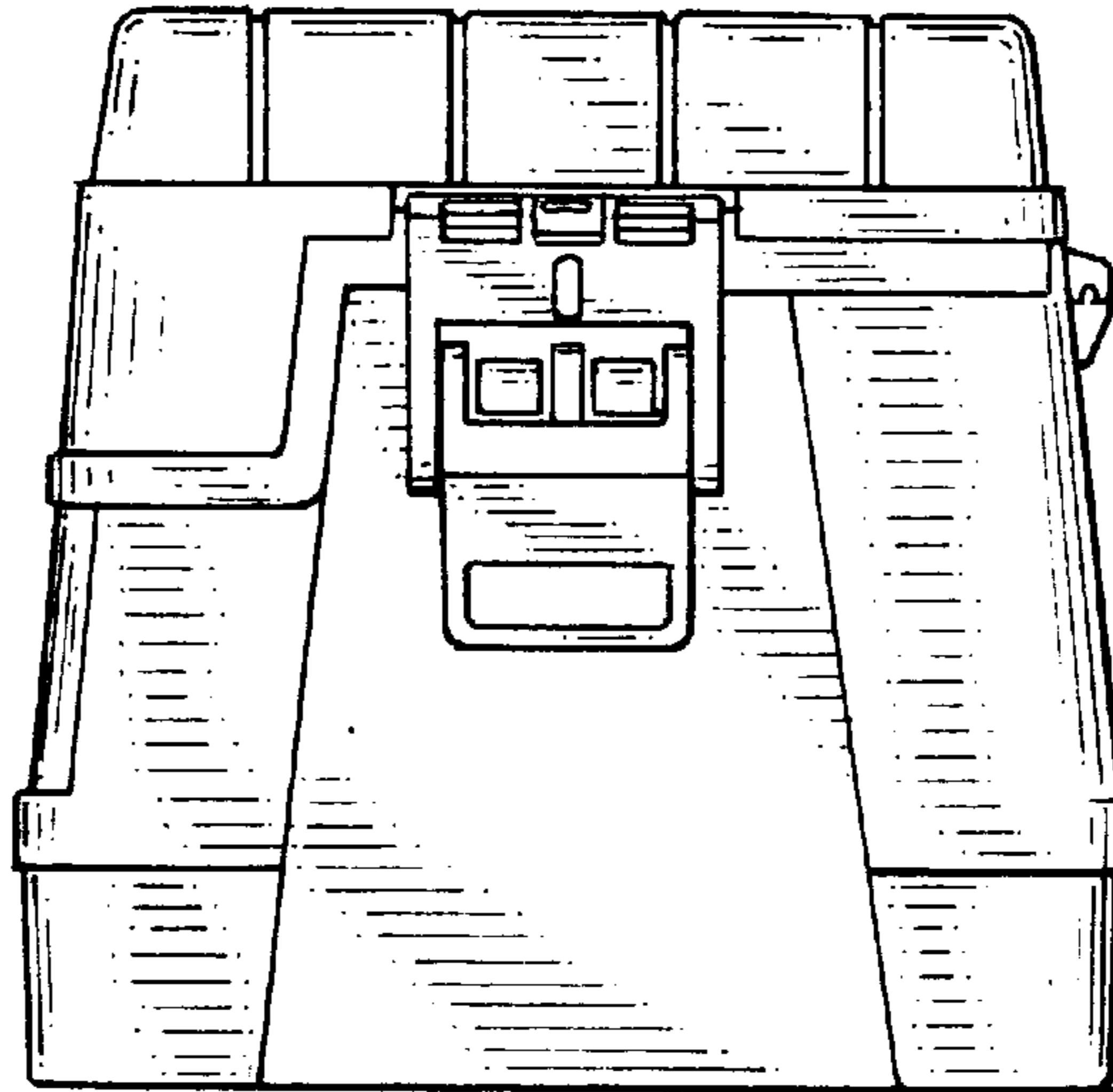


FIG. 5

