



US00D411350S

# United States Patent [19] Chen

[11] Patent Number: **Des. 411,350**

[45] Date of Patent: **\*\* Jun. 22, 1999**

[54] **TOOL BOX**

[76] Inventor: **Guo-Shy Chen**, 11F-2 43, Jan-I Street, Taichung, Taiwan

[\*\*] Term: **14 Years**

[21] Appl. No.: **29/092,484**

[22] Filed: **Aug. 20, 1998**

[51] **LOC (6) Cl.** ..... **03-01**

[52] **U.S. Cl.** ..... **D3/273; D3/905; D3/294**

[58] **Field of Search** ..... **D3/273, 276, 282, D3/274, 905, 294, 281; 206/315.1, 349, 372, 373**

D. 339,684 9/1993 Cislo ..... D3/282  
D. 341,935 12/1993 Peersmann ..... D3/294  
D. 347,731 6/1994 Hayakawa et al. .... D3/282  
D. 358,709 5/1995 Chang ..... D3/282

*Primary Examiner*—Philip S. Hyder  
*Attorney, Agent, or Firm*—Charles E. Baxley, Esq.

### [57] CLAIM

The ornamental design for a tool box, as shown and described.

### DESCRIPTION

FIG. 1 is a front-right-top perspective view of a tool box, showing my new design;

FIG. 2 is a front elevational view thereof, the rear side being a mirror image thereof;

FIG. 3 is a right side elevational view thereof, the left side being a mirror image thereof;

FIG. 4 is a top plan view thereof; and,

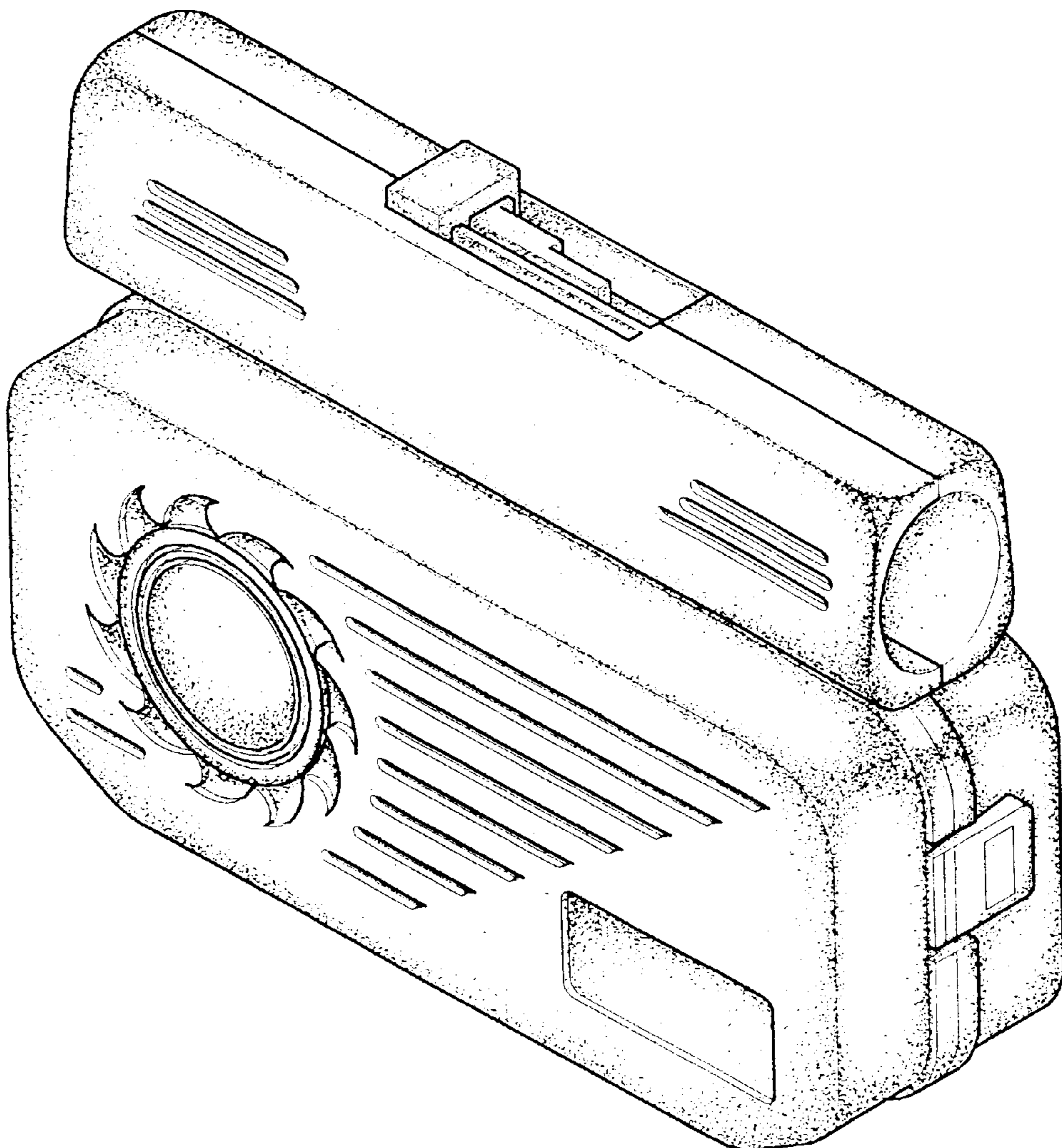
FIG. 5 is a bottom plan view thereof.

### [56] References Cited

#### U.S. PATENT DOCUMENTS

D. 305,809 1/1990 Weber et al. .... D3/282  
D. 309,143 7/1990 Yang ..... D3/281  
D. 309,832 8/1990 Hung ..... D3/282  
D. 311,449 10/1990 Paschal ..... D3/294  
D. 321,985 12/1991 Ward ..... D3/282

**1 Claim, 2 Drawing Sheets**



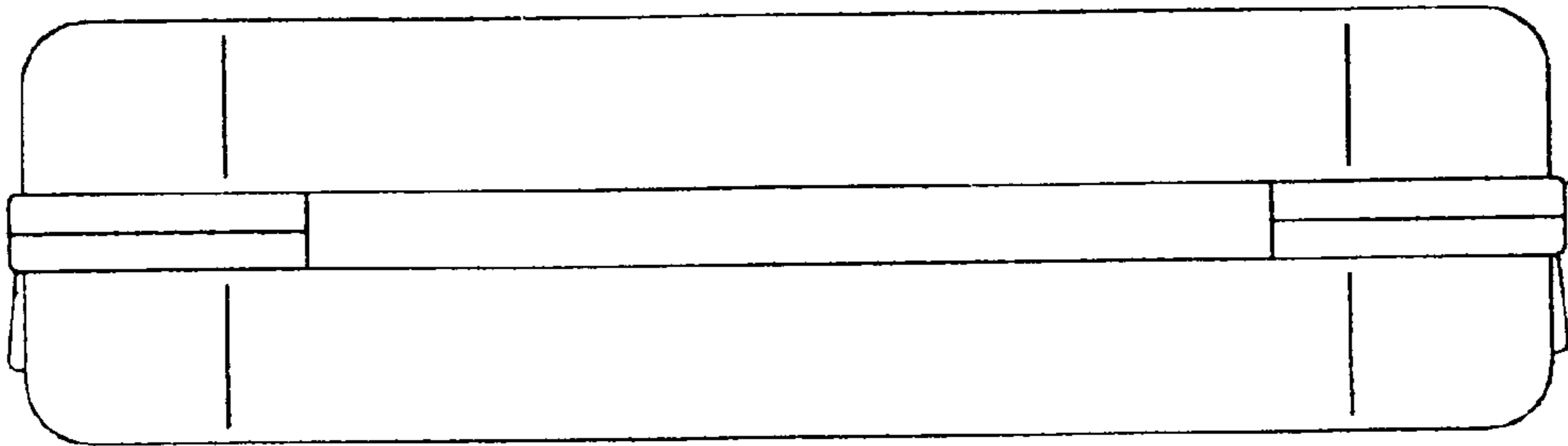


FIG. 5

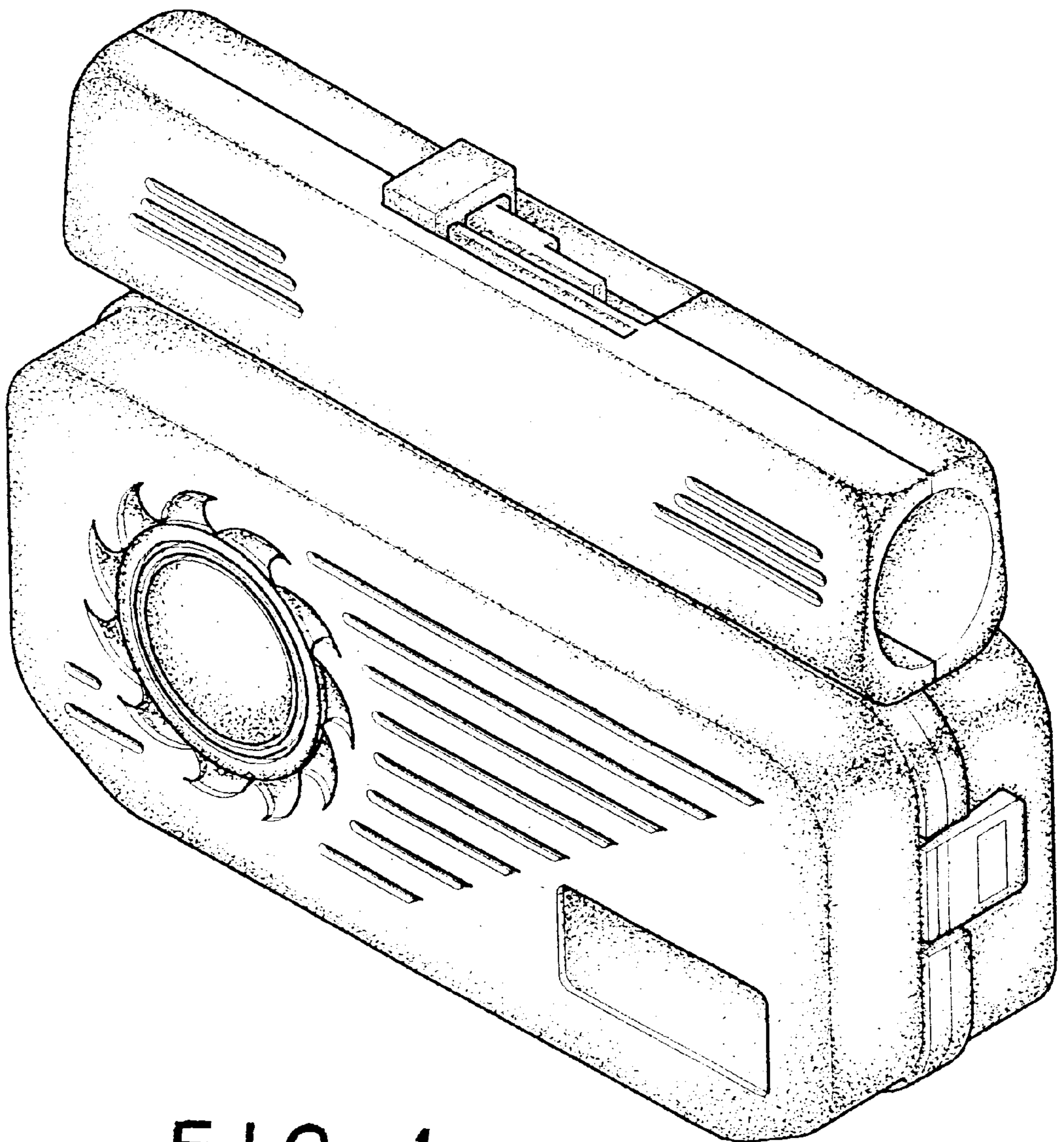


FIG. 1

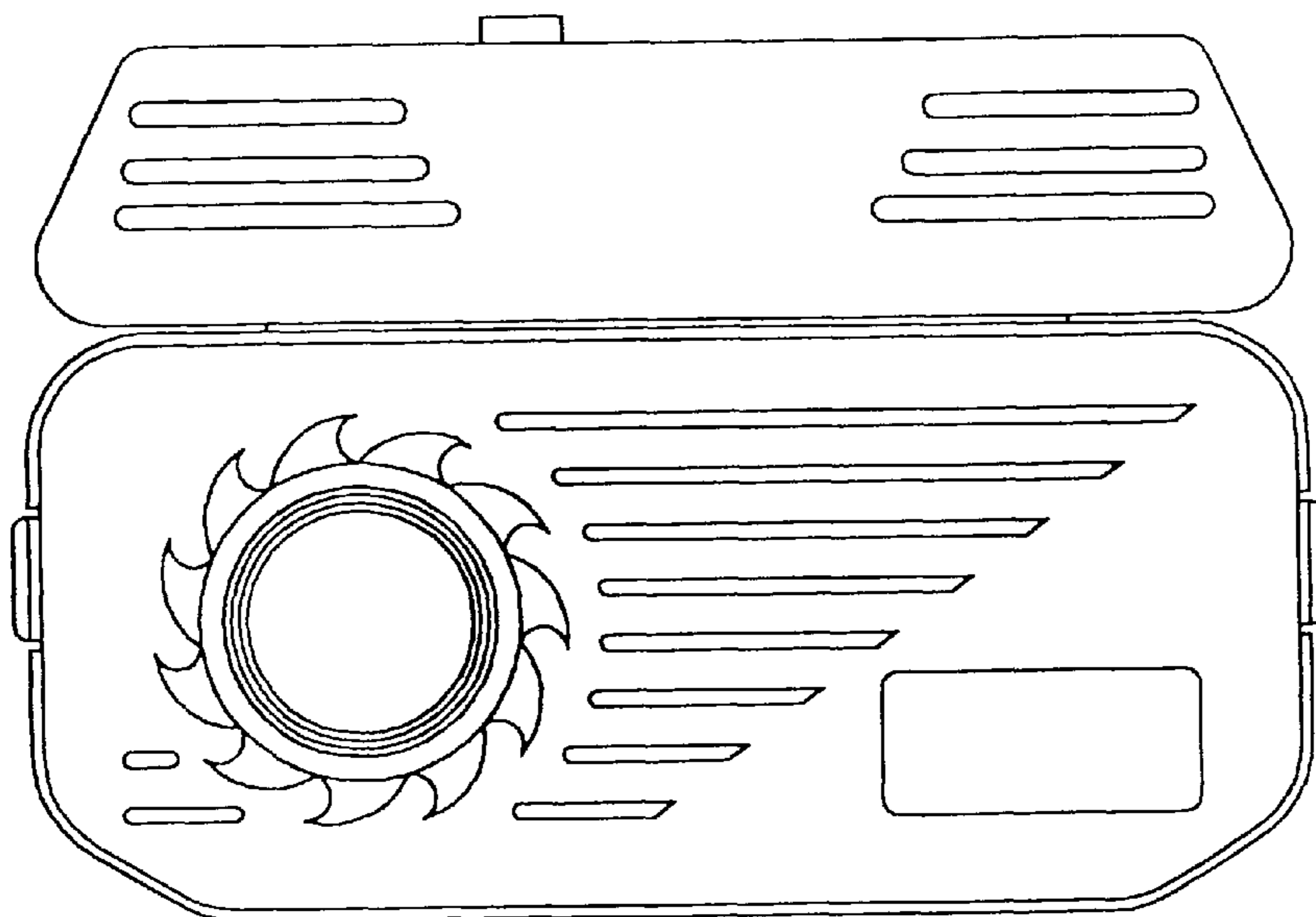


FIG. 2

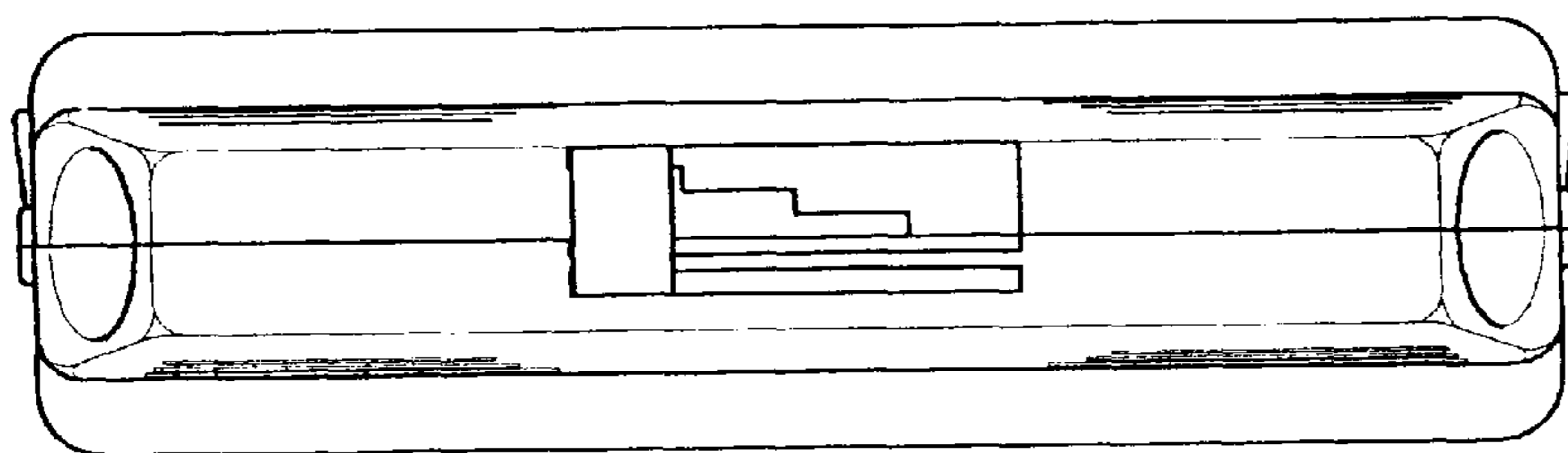


FIG. 4

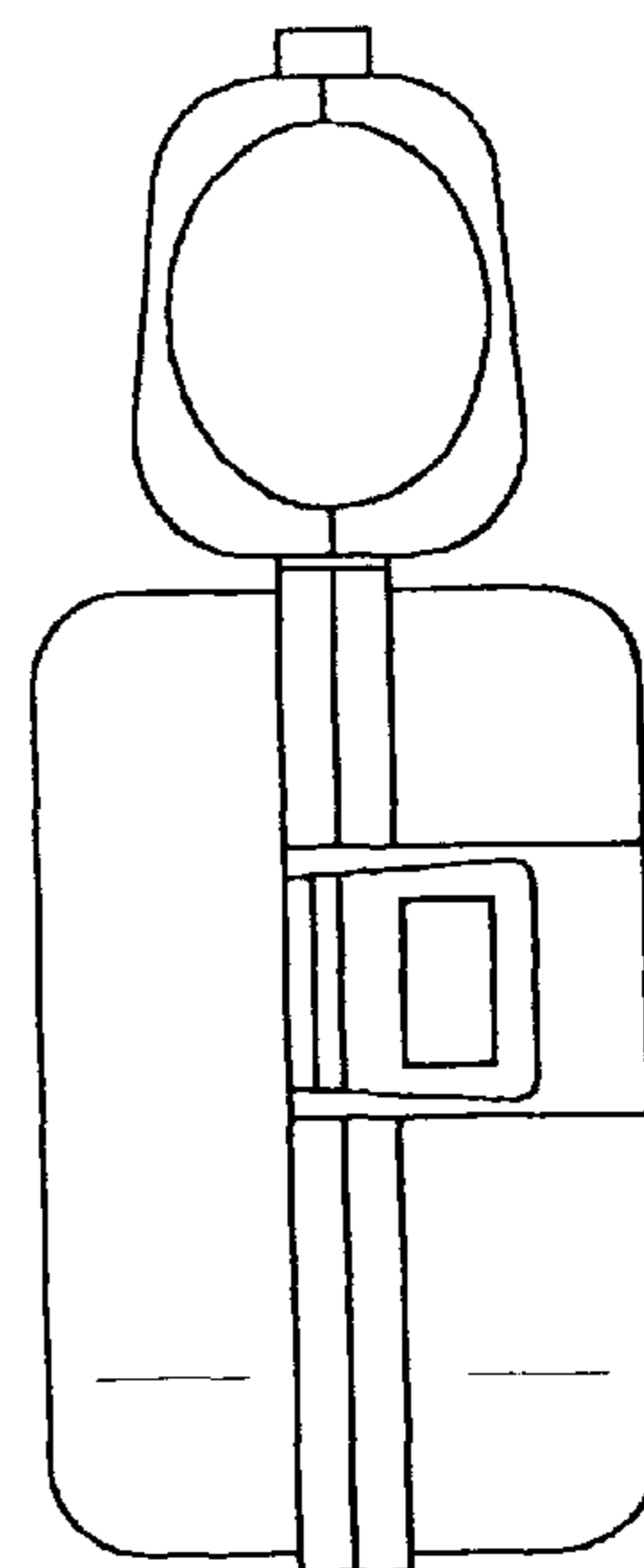


FIG. 3