



US00D411346S

United States Patent [19] Pracht

[11] Patent Number: **Des. 411,346**

[45] Date of Patent: **** Jun. 22, 1999**

[54] TOTE BAG

[75] Inventor: **Richard J. Pracht**, Sartell, Minn.

[73] Assignee: **The Antioch Company**, St. Cloud, Minn.

[**] Term: **14 Years**

[21] Appl. No.: **29/096,386**

[22] Filed: **Nov. 12, 1998**

[51] LOC (6) Cl. **03-01**

[52] U.S. Cl. **D3/233; D3/303; D3/900**

[58] Field of Search D3/232, 233, 245, D3/246, 303, 285, 900; 150/106, 107, 108, 110, 117; 190/100, 101, 102, 108, 110, 111, 112, 115, 116, 119, 120

[56] **References Cited**

U.S. PATENT DOCUMENTS

D. 280,780	10/1985	Thomas	D3/285
D. 302,211	7/1989	Sears	D3/900 X
D. 367,955	3/1996	Peters	D3/233
D. 367,956	3/1996	Peters	D3/233

2,453,663	11/1948	Hinson	190/100
2,554,215	5/1951	Schell et al.	190/901
3,221,848	12/1965	O'Neil	190/100
4,257,463	3/1981	Monaco	150/110
5,413,199	5/1995	Clement	190/108
5,788,032	8/1998	Krulik	150/107

Primary Examiner—Sandra L. Morris
Assistant Examiner—Monica A. Weingart
Attorney, Agent, or Firm—Biebel & French

[57] **CLAIM**

The ornamental design for a tote bag, as shown and described.

DESCRIPTION

FIG. 1 is a perspective view of the tote bag of the present invention;
FIG. 2 is a front elevational view thereof;
FIG. 3 is a rear elevational view thereof;
FIG. 4 is a right edge view thereof;
FIG. 5 is a left edge view thereof;
FIG. 6 is a top view thereof; and,
FIG. 7 is a bottom view thereof.

1 Claim, 5 Drawing Sheets

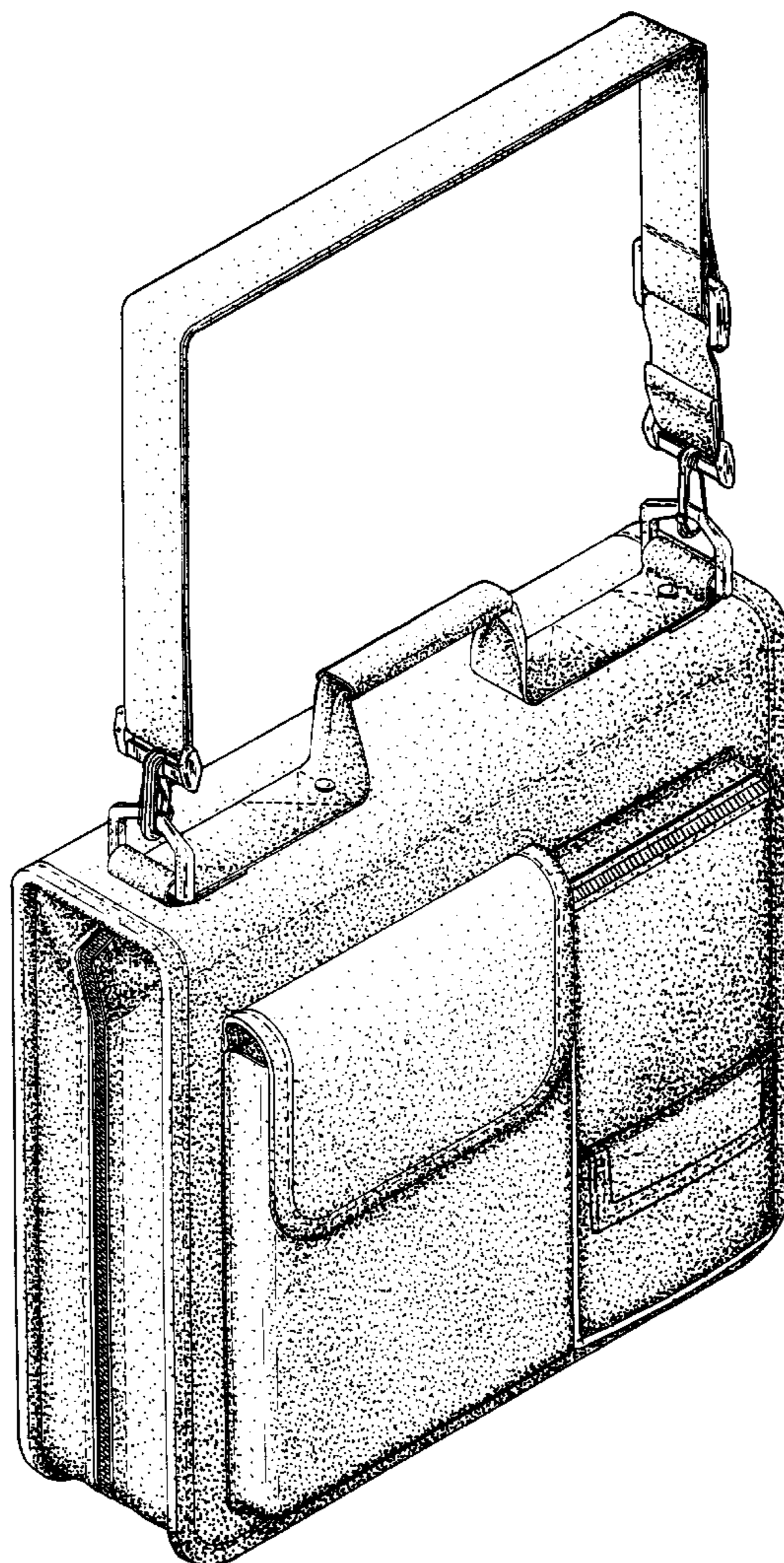


FIG -1

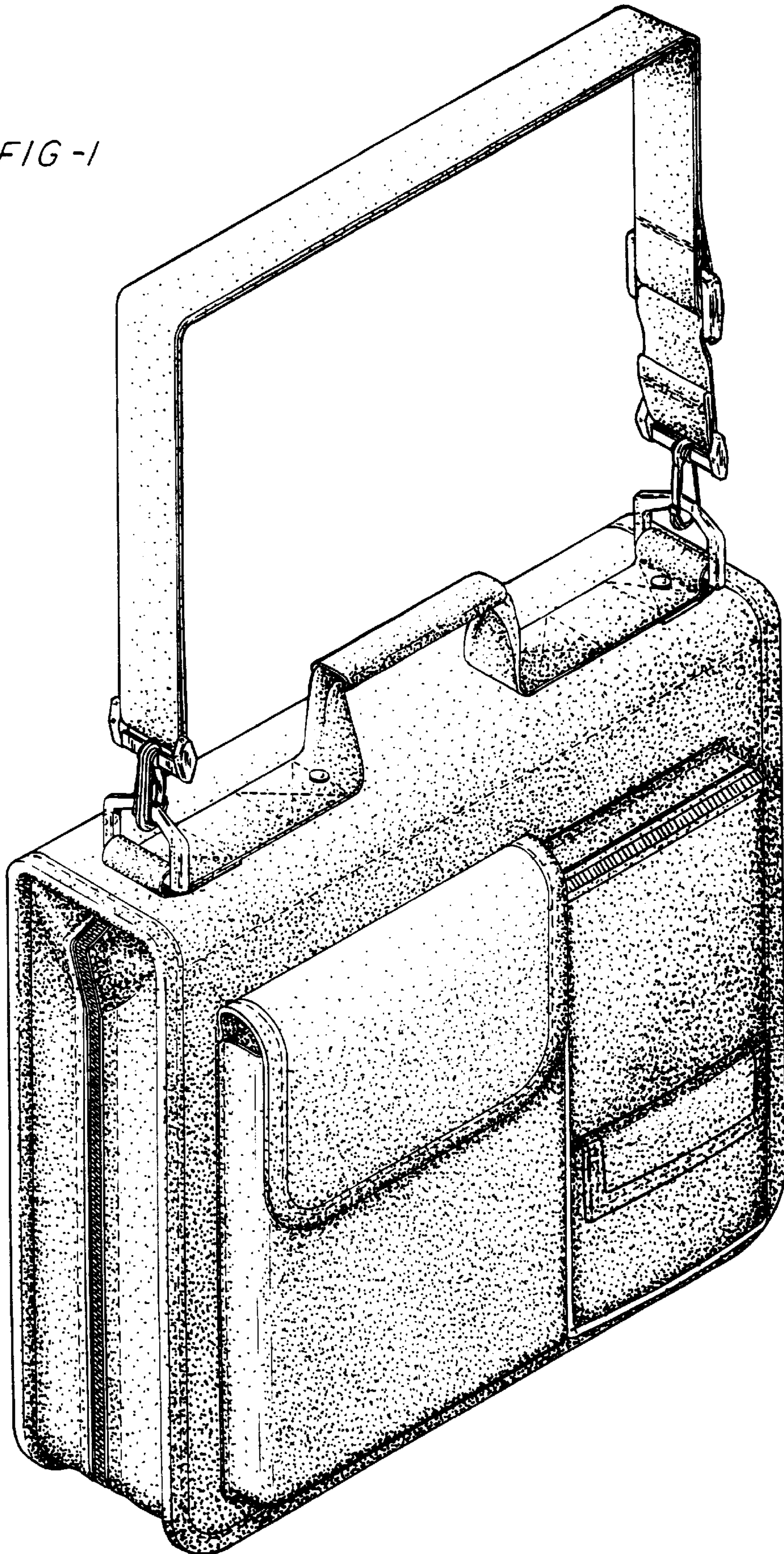


FIG - 2

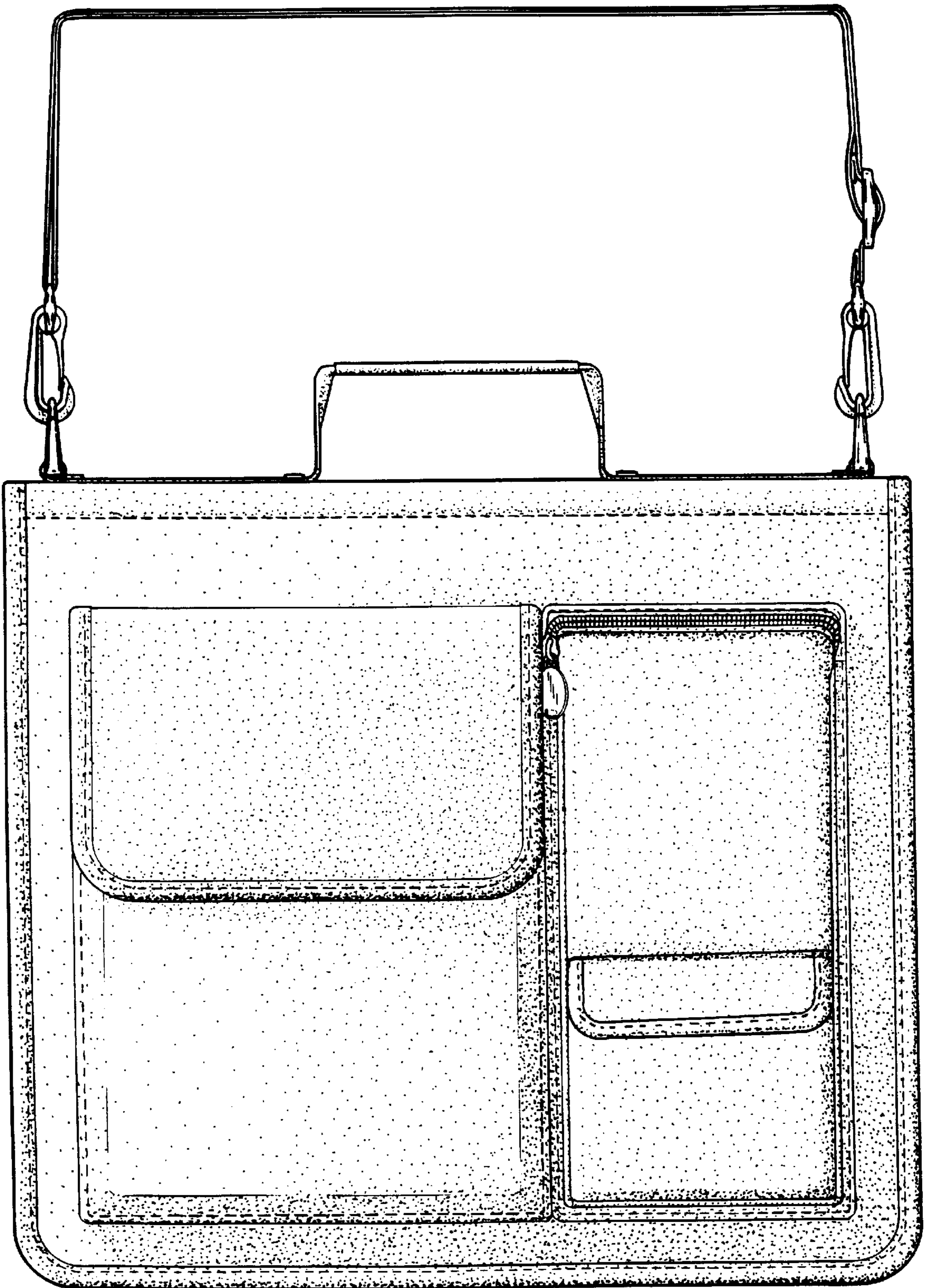


FIG - 3

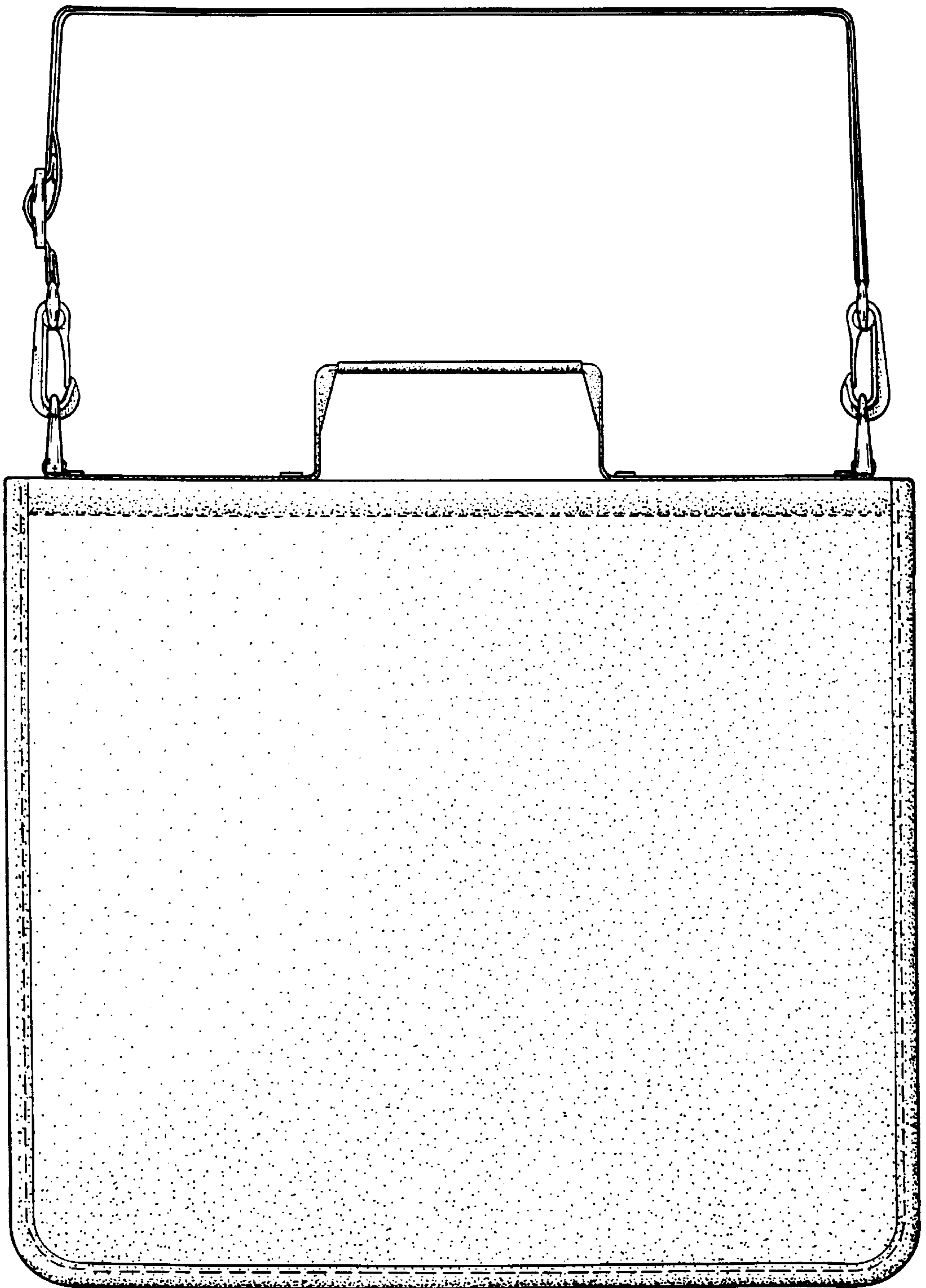


FIG - 4

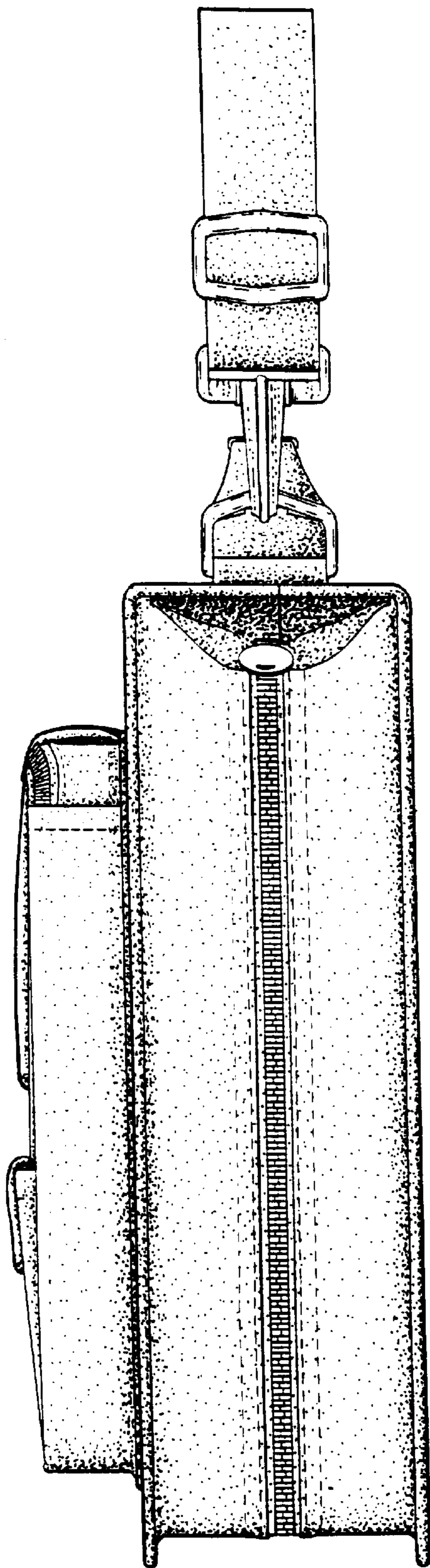


FIG - 5

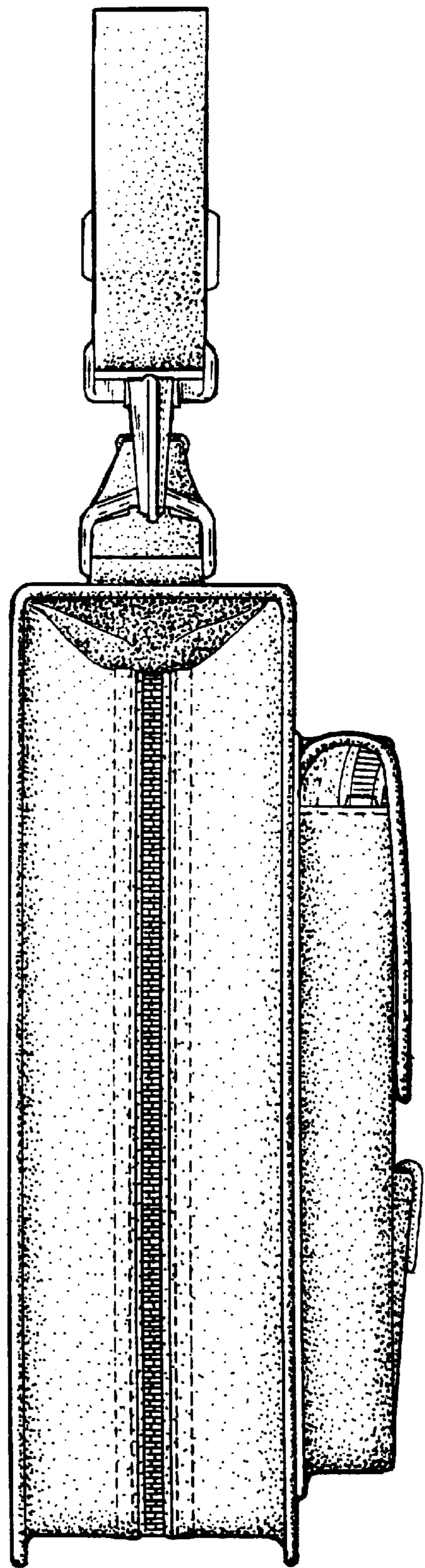


FIG - 6

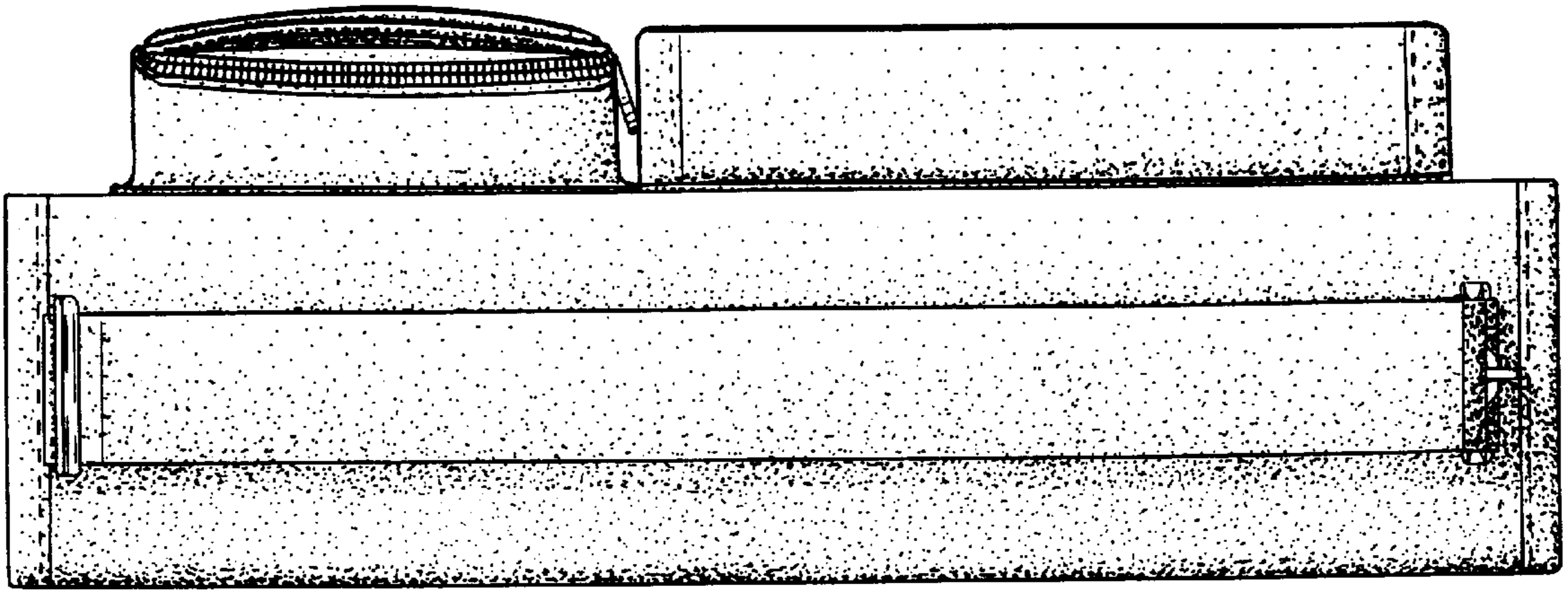


FIG - 7

