



US00D411345S

United States Patent [19]
McEvoy Sherman

[11] **Patent Number: Des. 411,345**
[45] **Date of Patent: ** Jun. 22, 1999**

[54] **PORTION OF A MAKE-UP PLANNER**

Attorney, Agent, or Firm—Kenyon & Kenyon

[75] Inventor: **Patricia McEvoy Sherman**, New York, N.Y.

[57] **CLAIM**

The ornamental design for a portion of a make-up planner, as shown and described.

[73] Assignee: **Trish McEvoy, Ltd.**, New York, N.Y.

[**] Term: **14 Years**

DESCRIPTION

[21] Appl. No.: **29/080,990**

FIG. 1 is a perspective view of a portion of a make-up planner with an insert showing my new design;

[22] Filed: **Dec. 22, 1997**

FIG. 2 is a right side elevational view of the insert for the portion of a make-up planner of FIG. 1;

[51] **LOC (6) Cl.** **03-01**

FIG. 3 is a bottom plan view of the insert of FIG. 2;

[52] **U.S. Cl.** **D3/205; D3/201; D3/901**

FIG. 4 is a front elevational view of the insert of FIG. 2;

[58] **Field of Search** D3/201, 205, 901;
150/104, 113; 190/901; 206/6, 216; 383/40,
907

FIG. 5 is a rear elevational view of the insert of FIG. 2;

FIG. 6 is a perspective view of an alternate embodiment of the portion of a make-up planner with an insert showing my new design;

[56] **References Cited**

FIG. 7 is a right side elevational view of the insert for the portion of a make-up planner of FIG. 6;

U.S. PATENT DOCUMENTS

D. 80,169	12/1929	Danco	D3/901 X
839,529	12/1906	Weissbrod	206/6
1,600,633	9/1926	Hilderbrand	383/907
2,115,993	5/1938	Kranhold	190/901
2,681,296	6/1954	Dobbs et al.	383/907
2,734,584	2/1956	Spooner	190/901

FIG. 8 is a bottom plan view of the insert of FIG. 6;

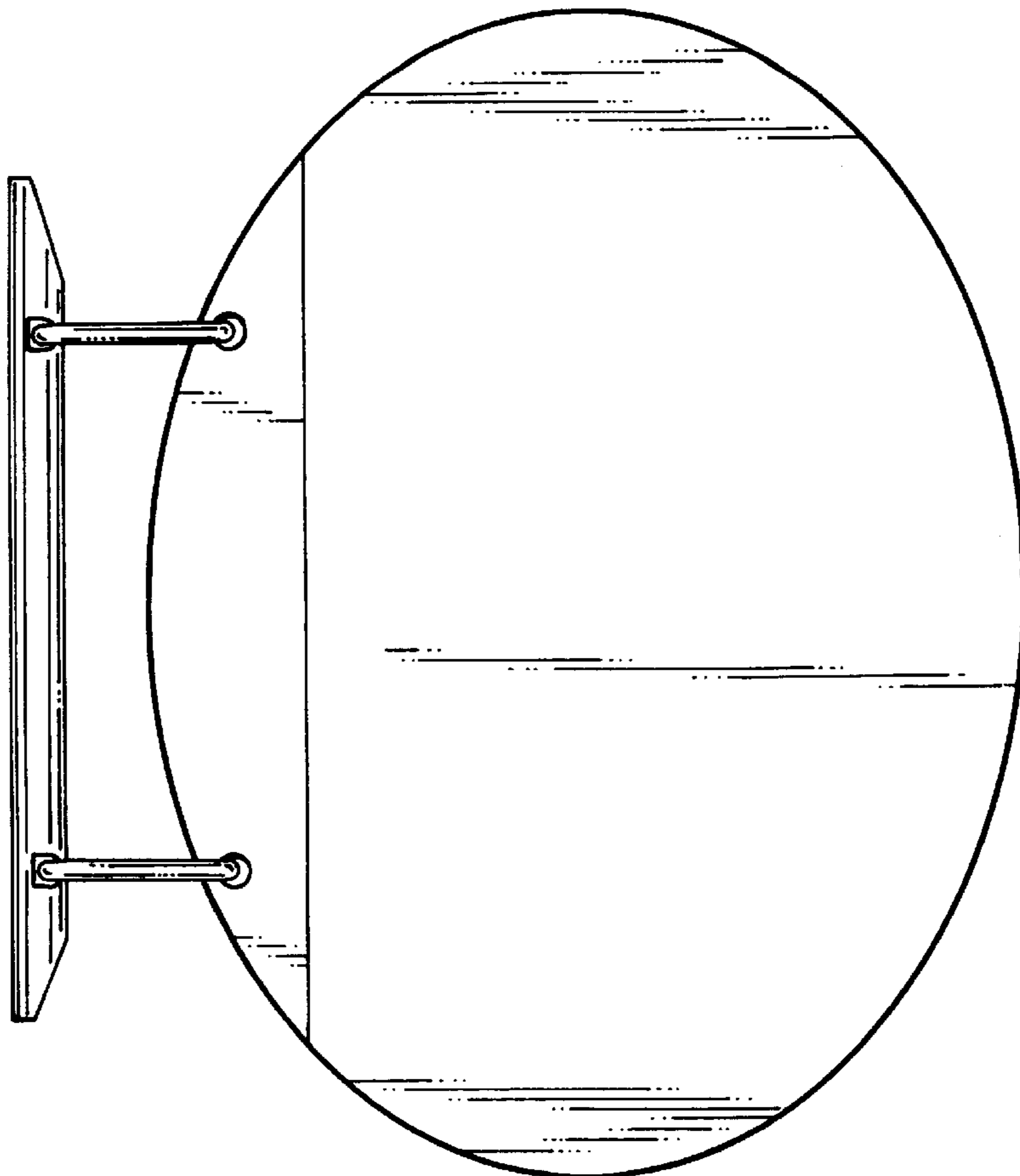
FIG. 9 is a front elevational view of the insert of FIG. 6; and,

FIG. 10 is a rear elevational view of the insert of FIG. 6.

The broken line showing of a binder in FIGS. 1 and 6 is for illustrative purposes only and forms no part of the claimed design.

Primary Examiner—Louis S. Zarfes
Assistant Examiner—Monica A. Weingart

1 Claim, 5 Drawing Sheets



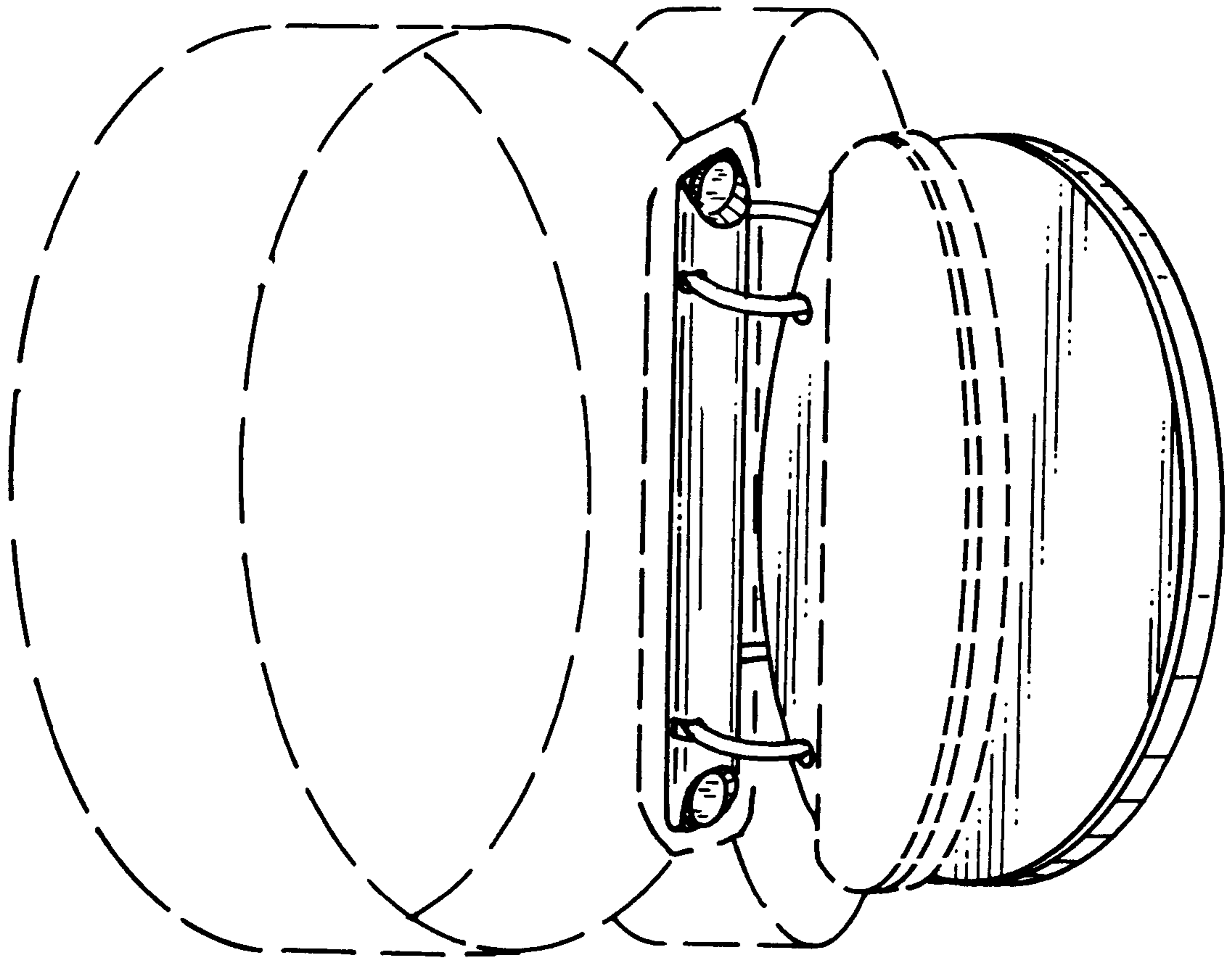


FIG. 1

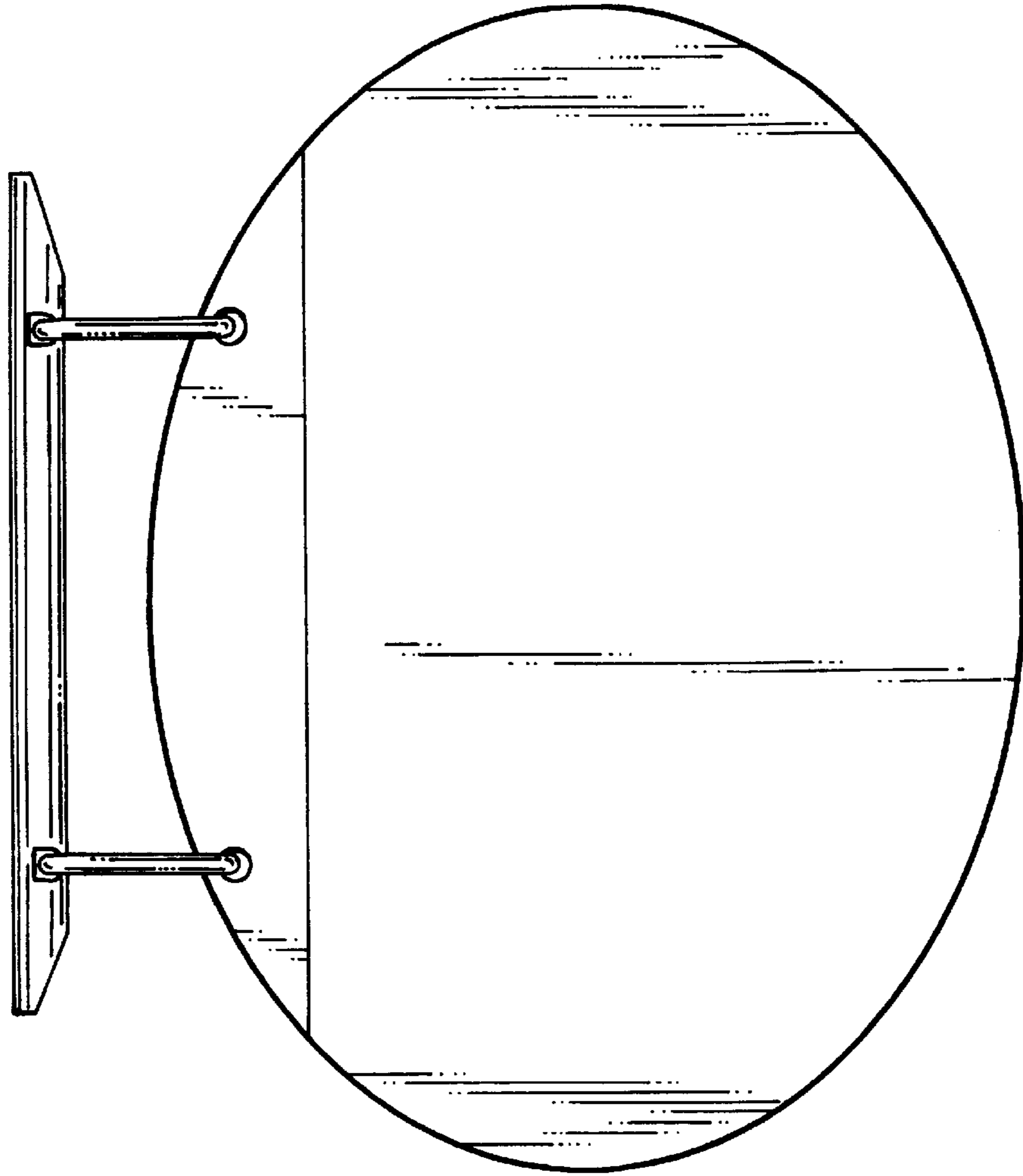


FIG. 2

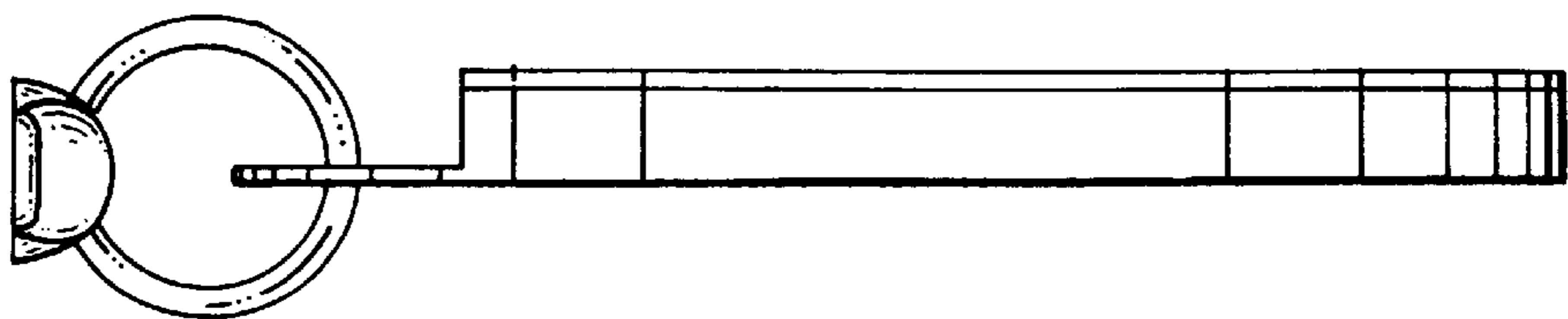


FIG. 3

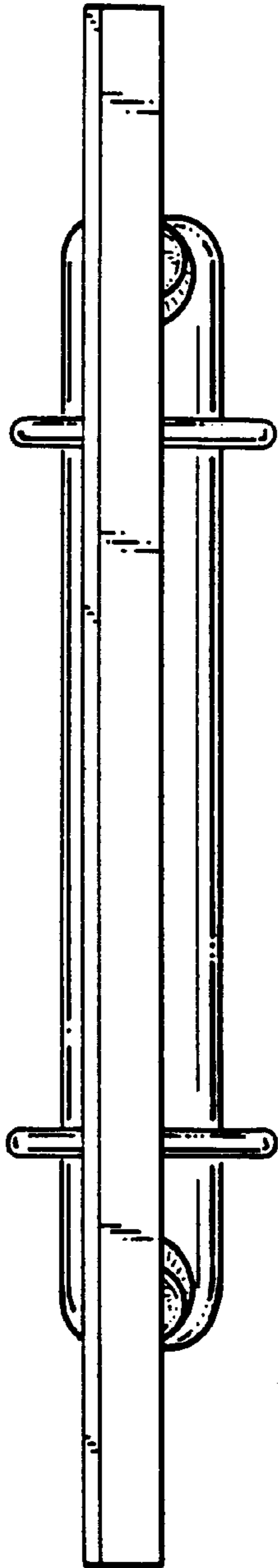


FIG. 4

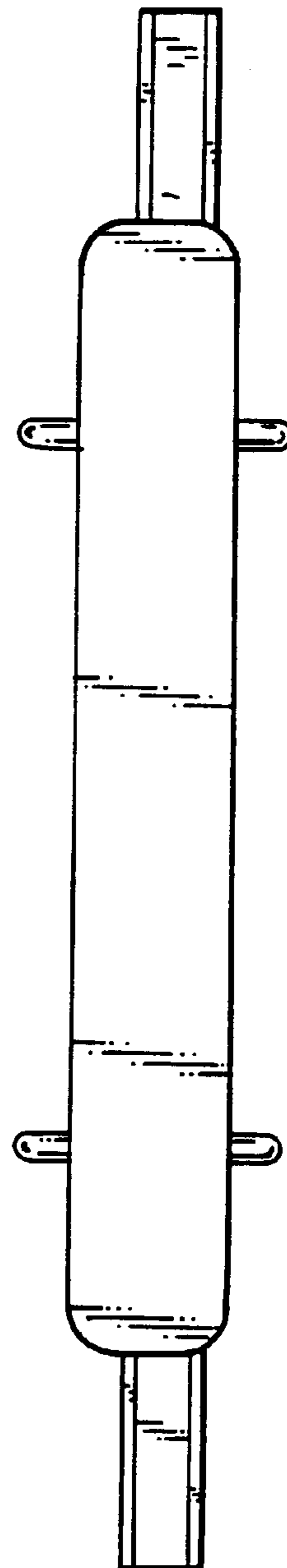


FIG. 5

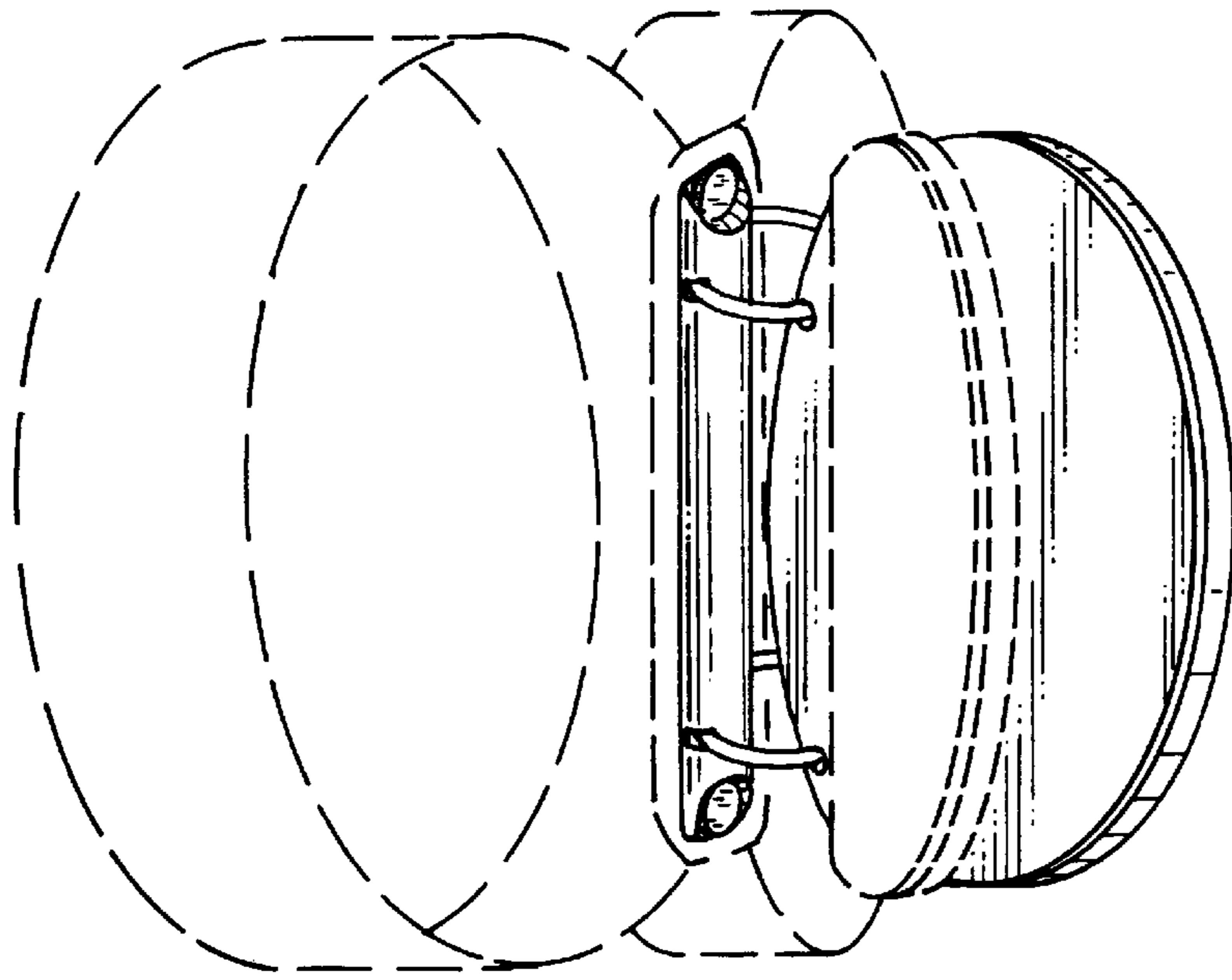


FIG. 6

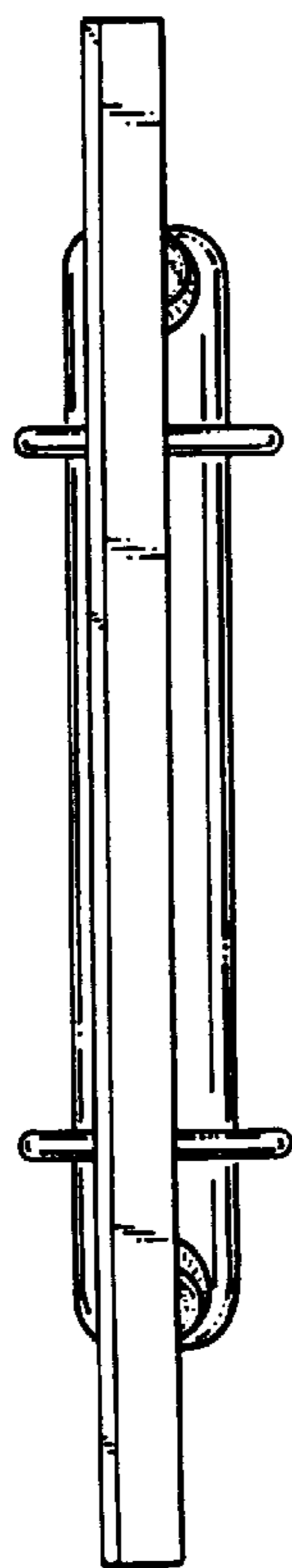


FIG. 7

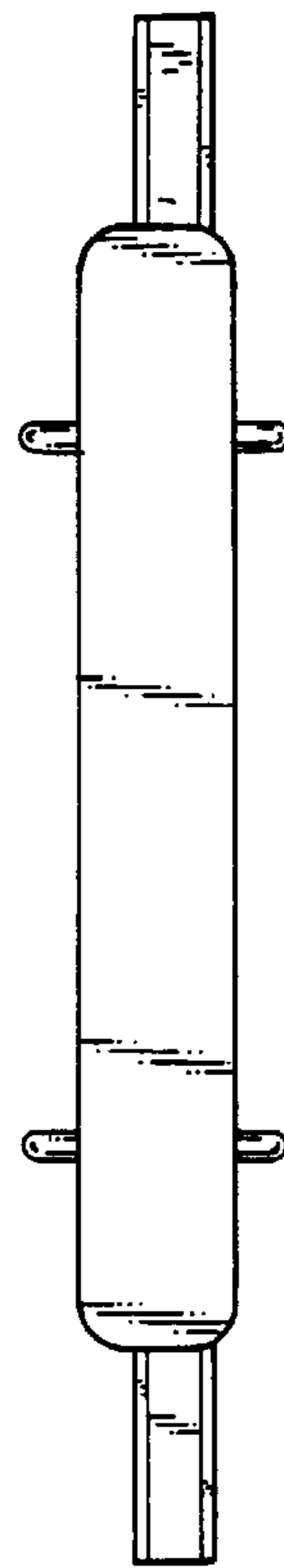


FIG. 8

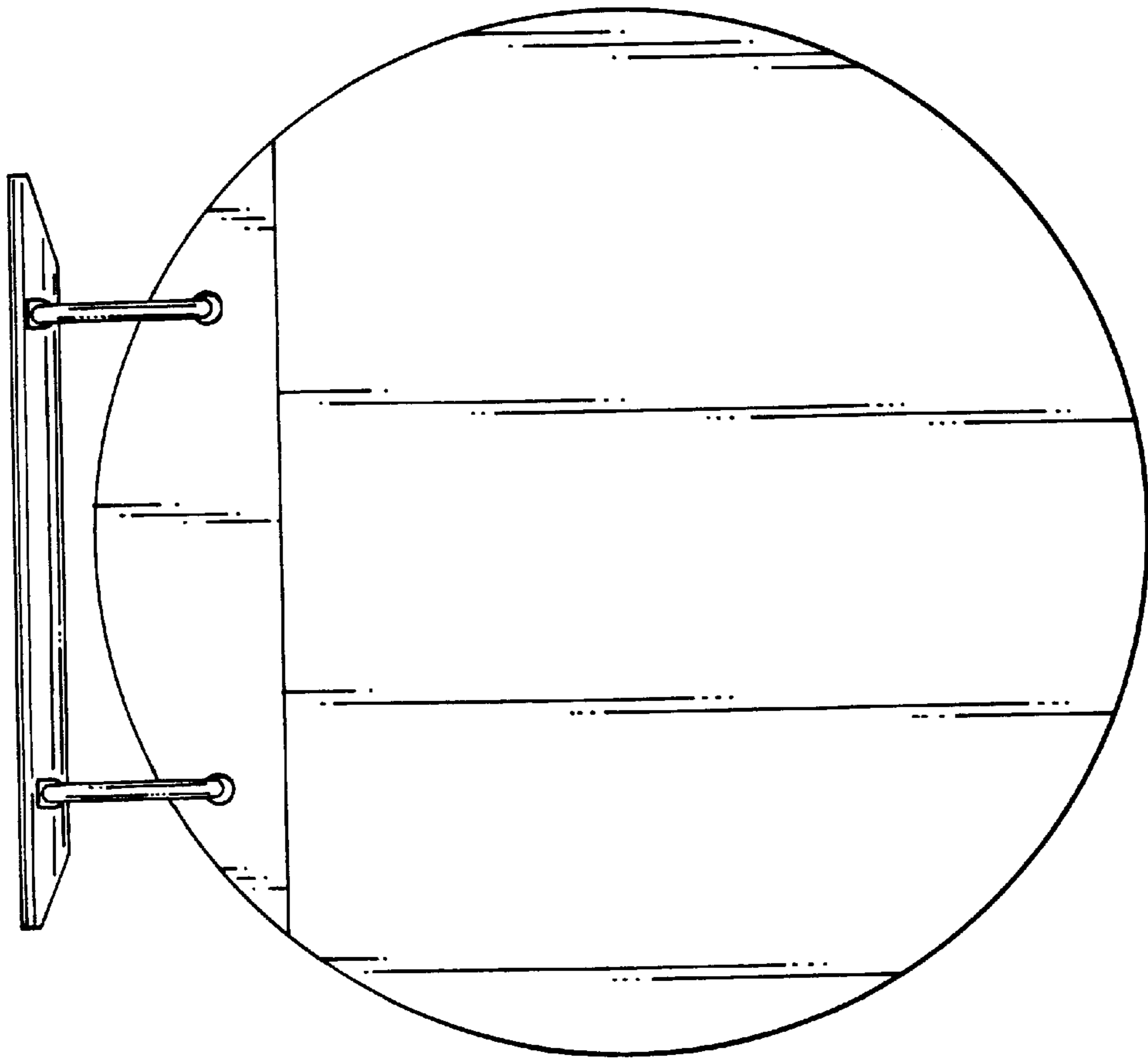


FIG. 9

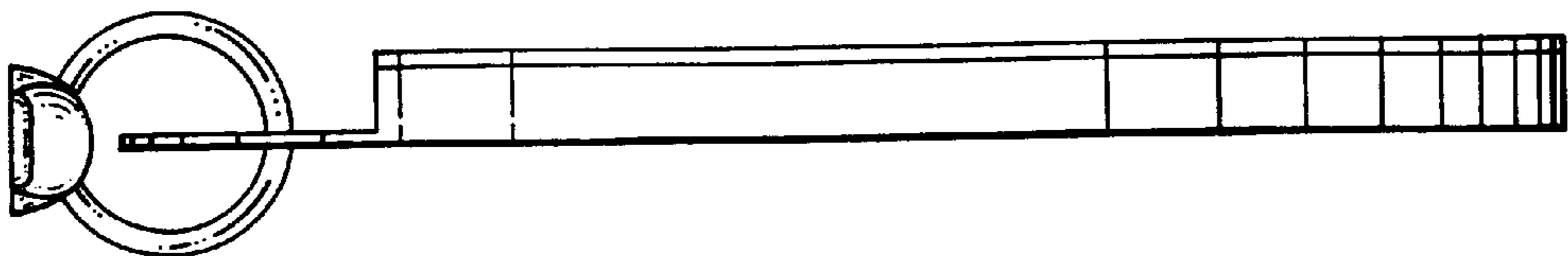


FIG. 10