



US00D411339S

# United States Patent [19]

Copeland et al.

[11] Patent Number: Des. 411,339

[45] Date of Patent: \*\* Jun. 22, 1999

[54] HELMET

[75] Inventors: Steve Arthur Copeland, Barrie; Roger McLaren Ball, Toronto, both of Canada

[73] Assignee: Construction Safety Association of Ontario, Etobicoke, Canada

[\*\*] Term: 14 Years

[21] Appl. No.: 29/088,985

[22] Filed: Jun. 4, 1998

[51] LOC (6) Cl. .... 29-02

[52] U.S. Cl. .... D29/102

[58] Field of Search ..... D29/102-111, D29/122; 2/411, 412, 414, 417, 418, 421, 423, 425

D. 218,385	8/1970	Bohner .....	D2/231
D. 234,411	3/1975	Zuppert .....	D2/231
D. 277,425	2/1985	Higginson .....	D2/231
D. 300,275	3/1989	Sjogren et al. ....	D29/14
D. 358,905	5/1995	Stinson et al. .	
D. 370,308	5/1996	Nilsson .....	D29/102
2,931,042	4/1960	Austin .....	2/418
3,280,402	10/1966	Scheibchen .....	2/414

Primary Examiner—Ruth McInroy  
Attorney, Agent, or Firm—George A. Seaby

### [57] CLAIM

The ornamental design for a helmet, as shown and described.

### DESCRIPTION

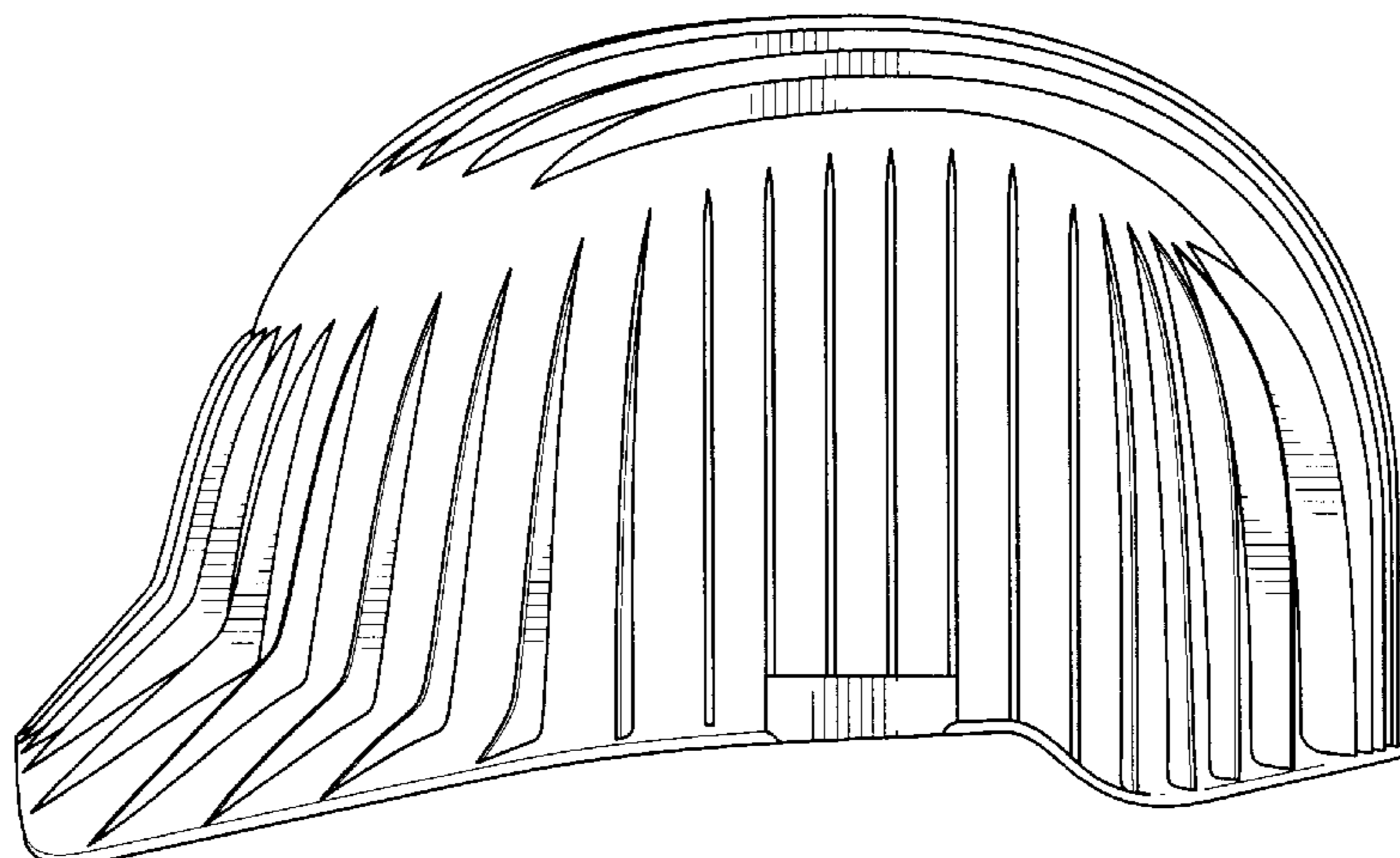
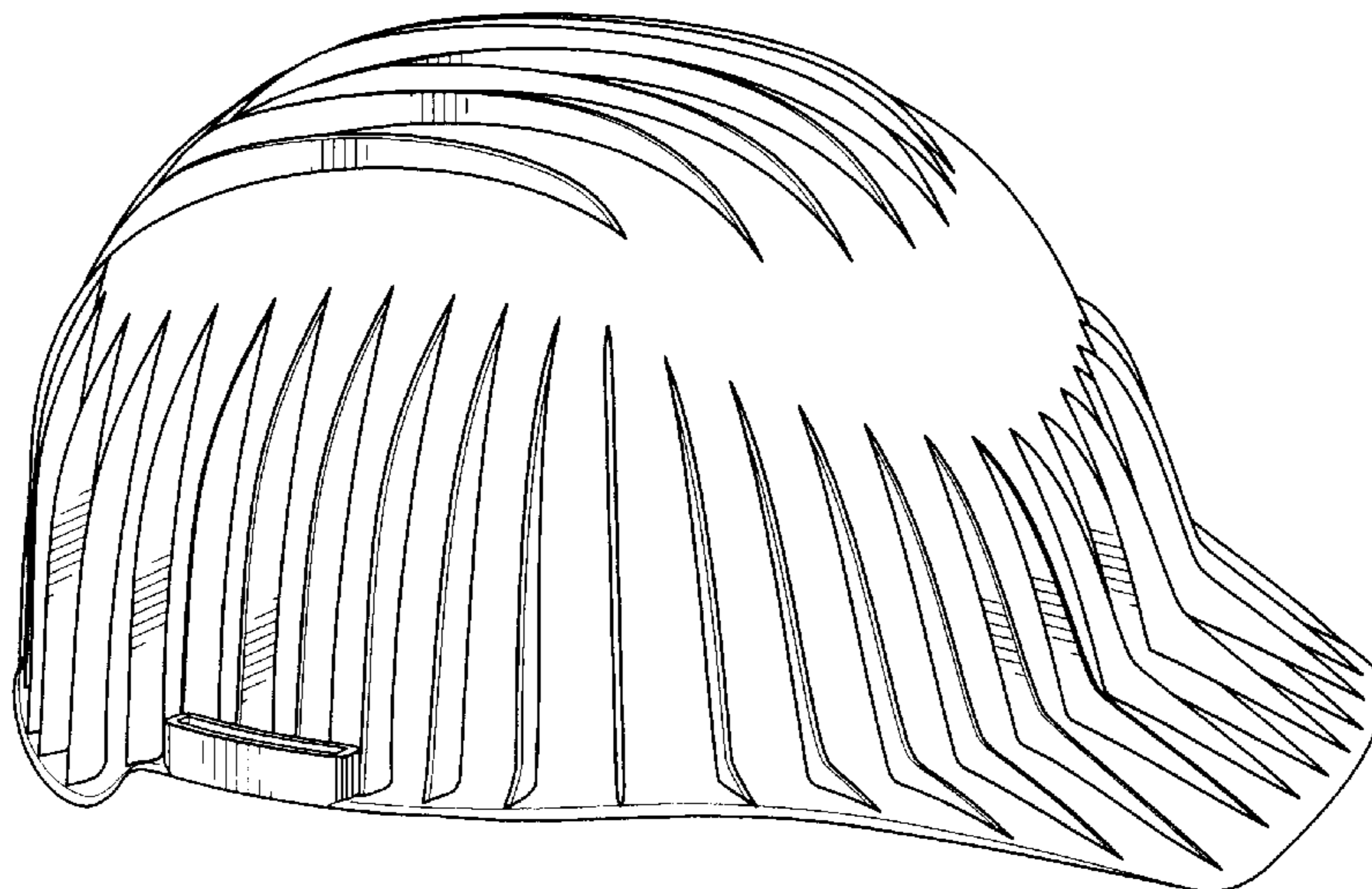
FIG. 1 is a perspective view from the front of a helmet showing our new design;  
FIG. 2 is a perspective view from the rear thereof;  
FIGS. 3 and 4 are side elevational views thereof;  
FIG. 5 is a rear elevational view thereof;  
FIG. 6 is a front elevational view thereof;  
FIG. 7 is a top elevational view thereof; and,  
FIG. 8 is a bottom elevation view thereof.

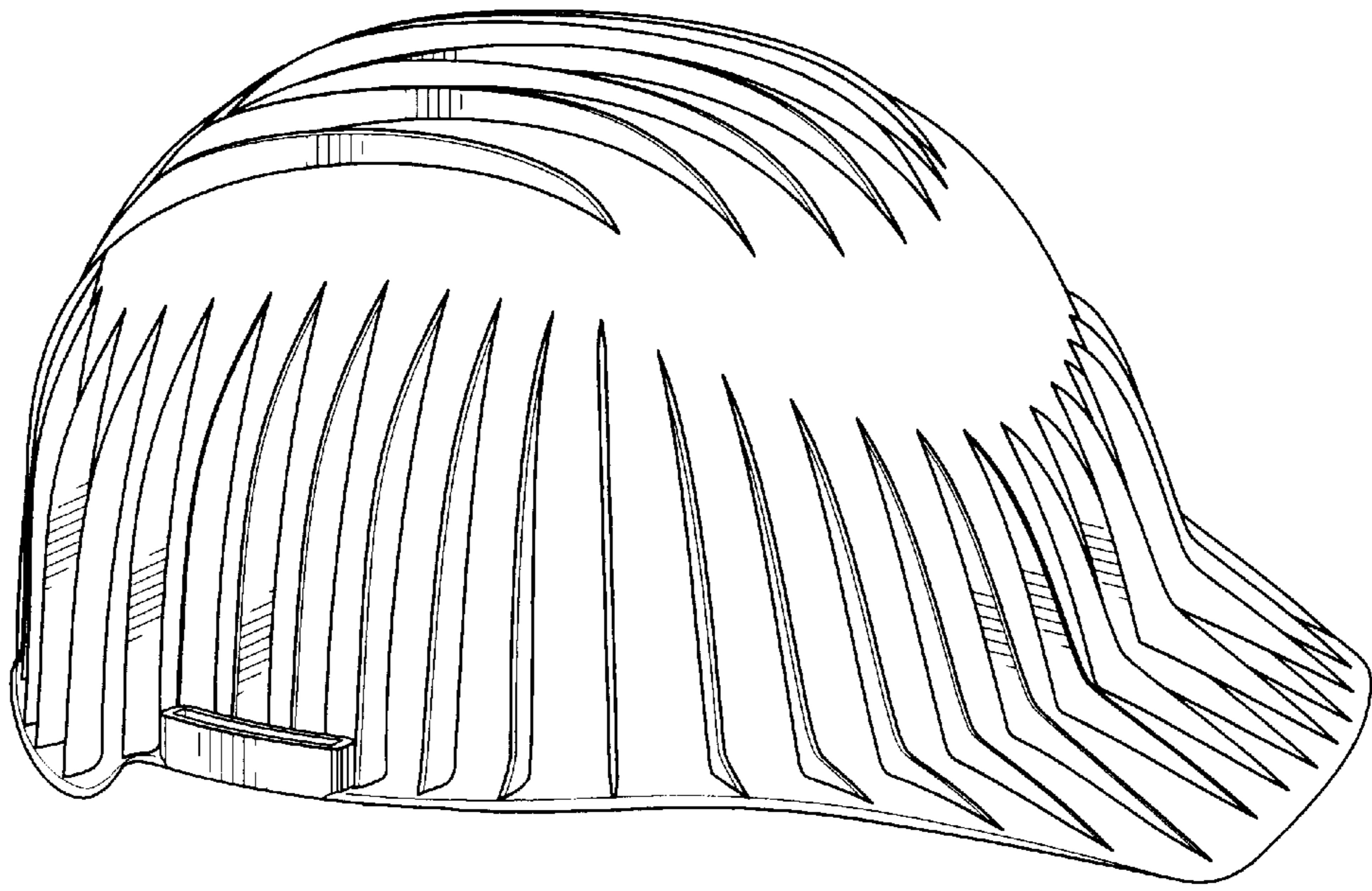
1 Claim, 4 Drawing Sheets

### [56] References Cited

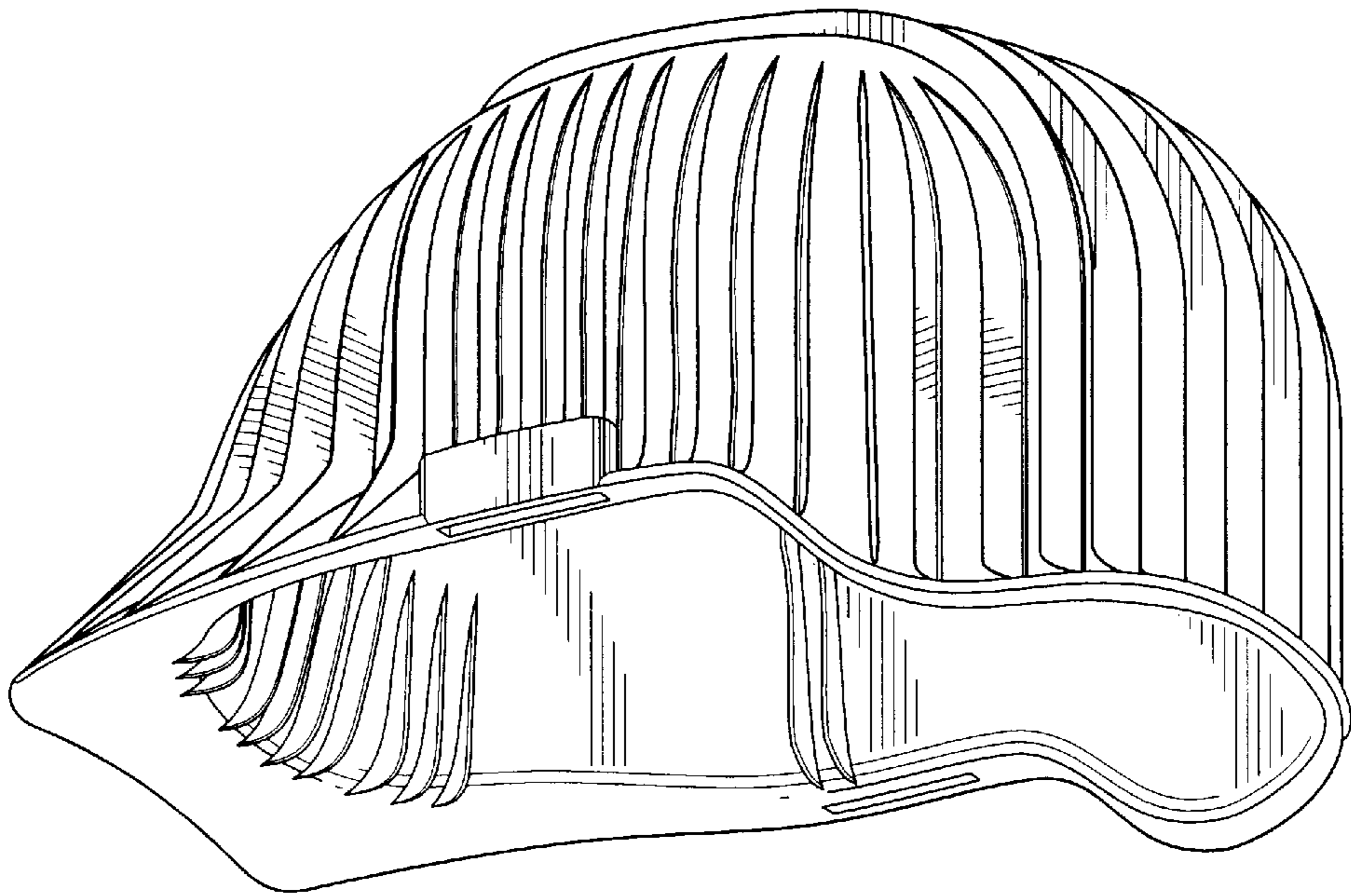
#### U.S. PATENT DOCUMENTS

D. 192,071	1/1962	Tucker .....	D29/104
D. 205,179	7/1966	Miller .....	D29/103
D. 205,990	10/1966	Raschke .....	D29/102
D. 215,400	9/1969	Sinclair et al. ....	D29/104

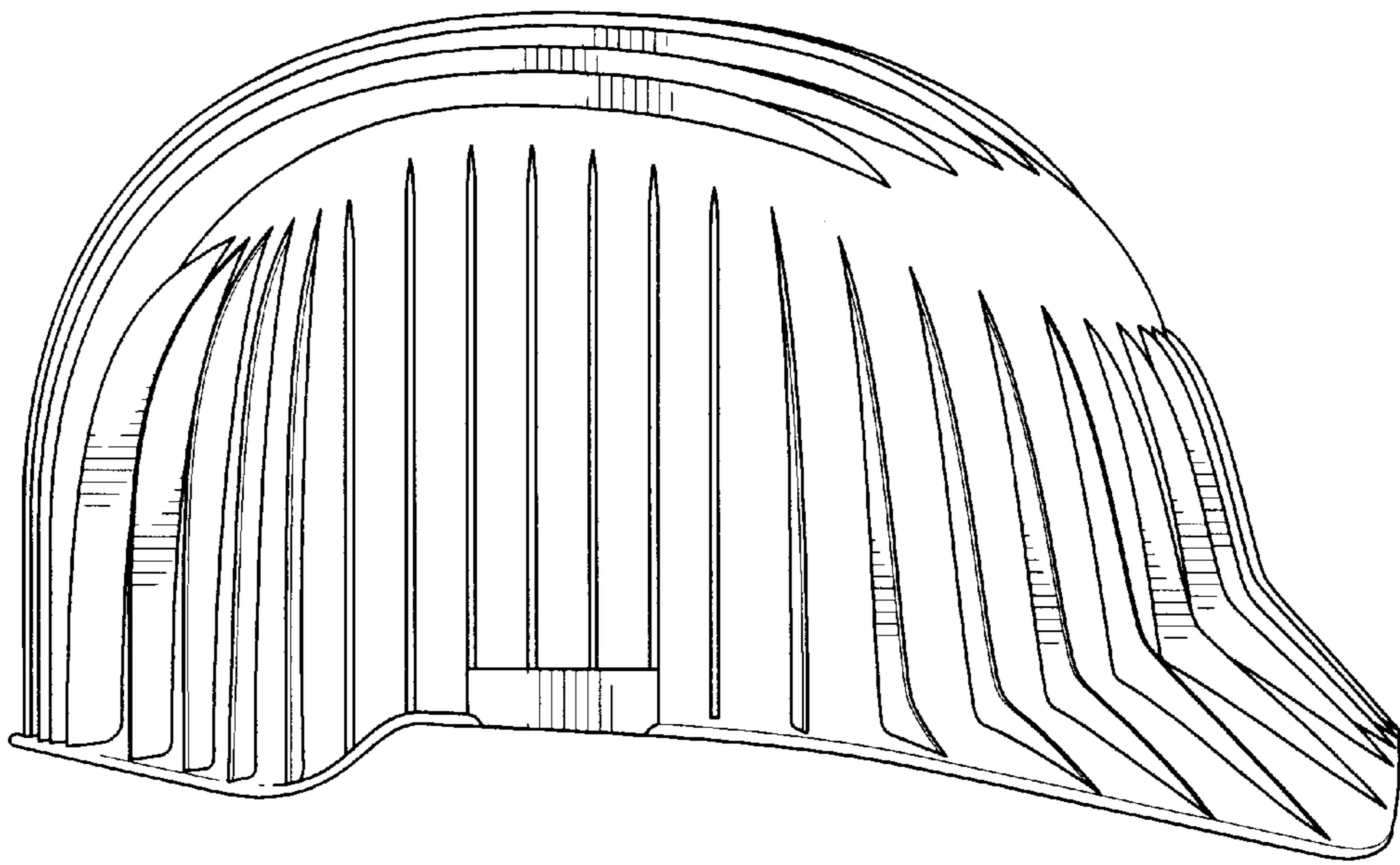




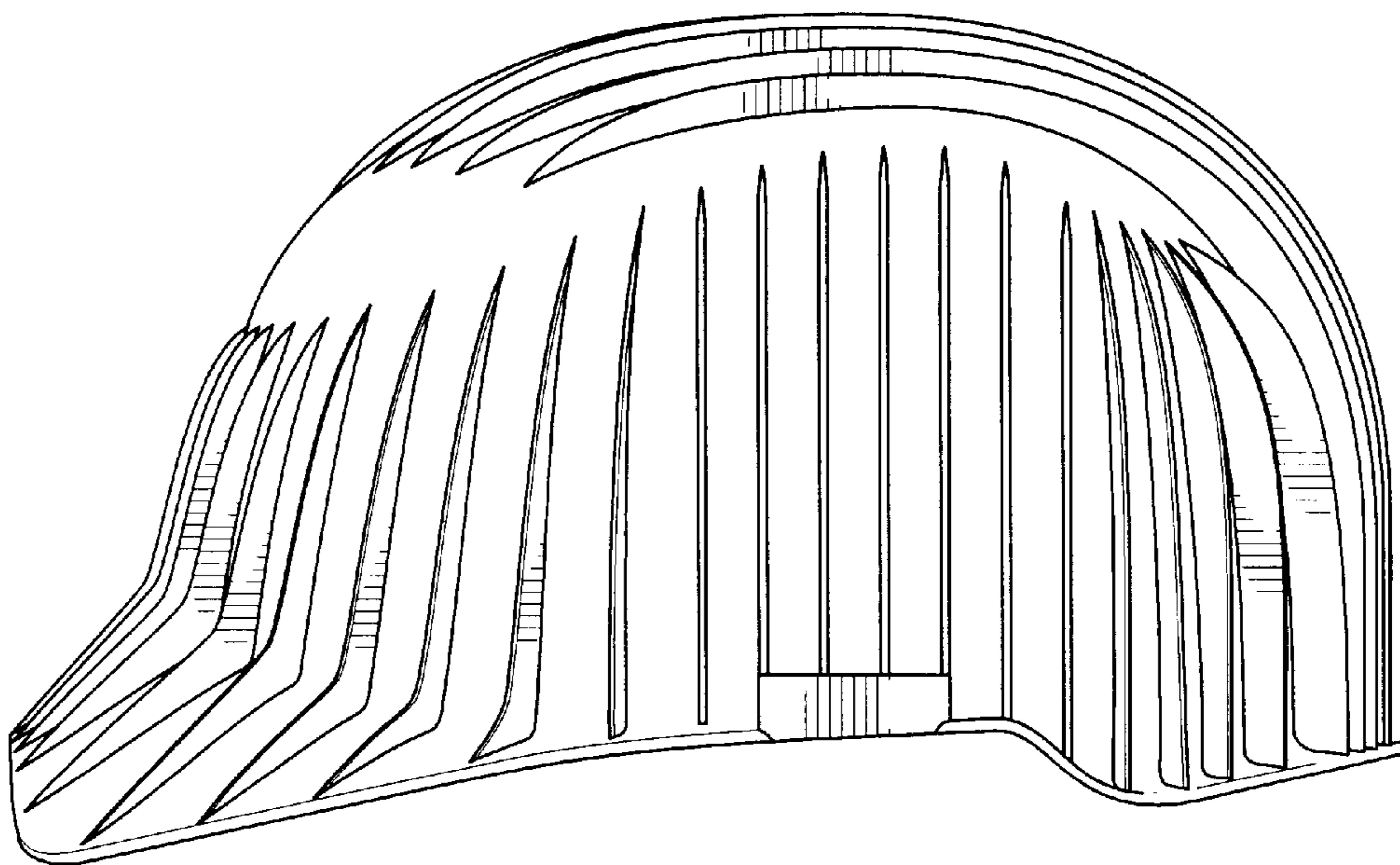
**FIG. 1**



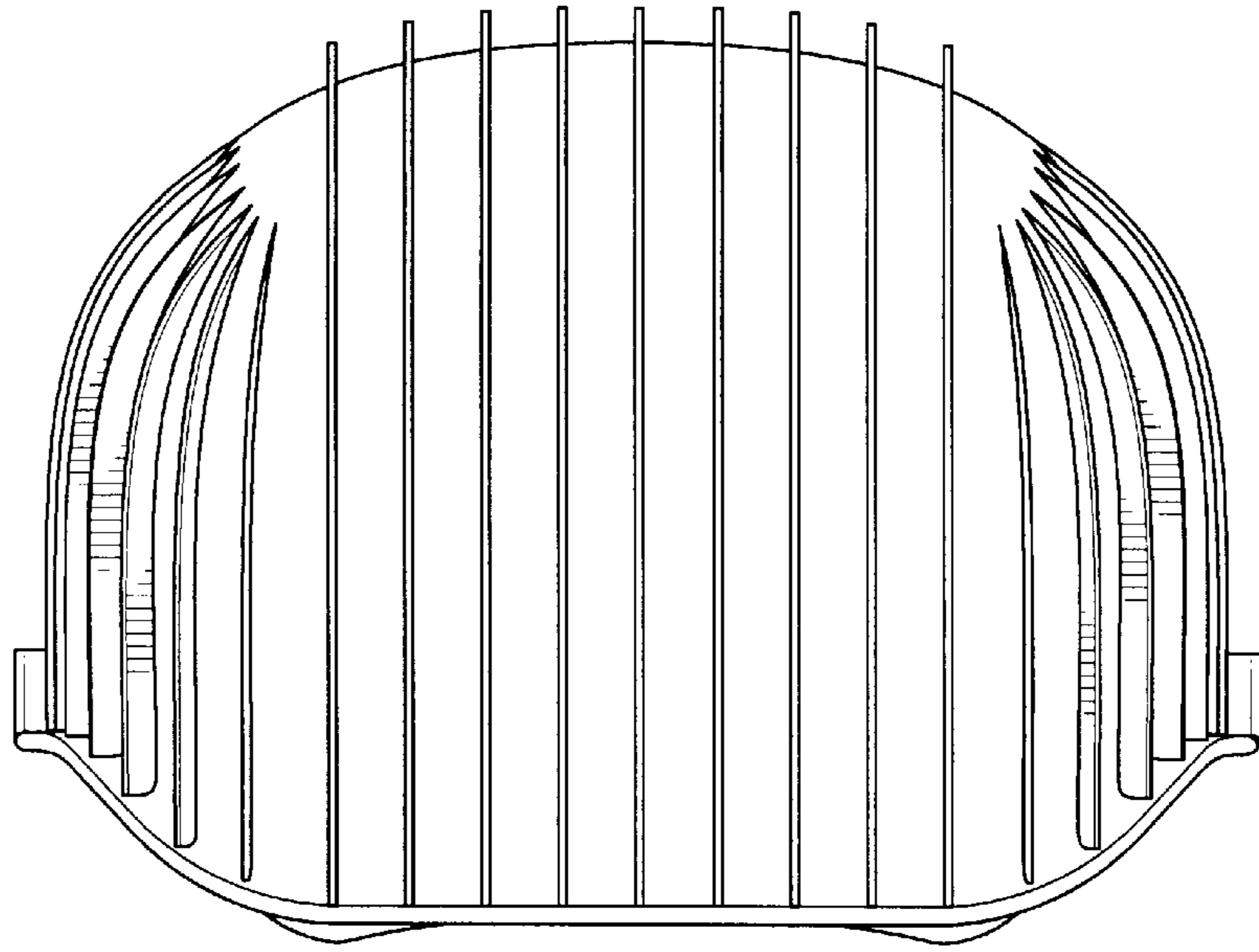
**FIG. 2**



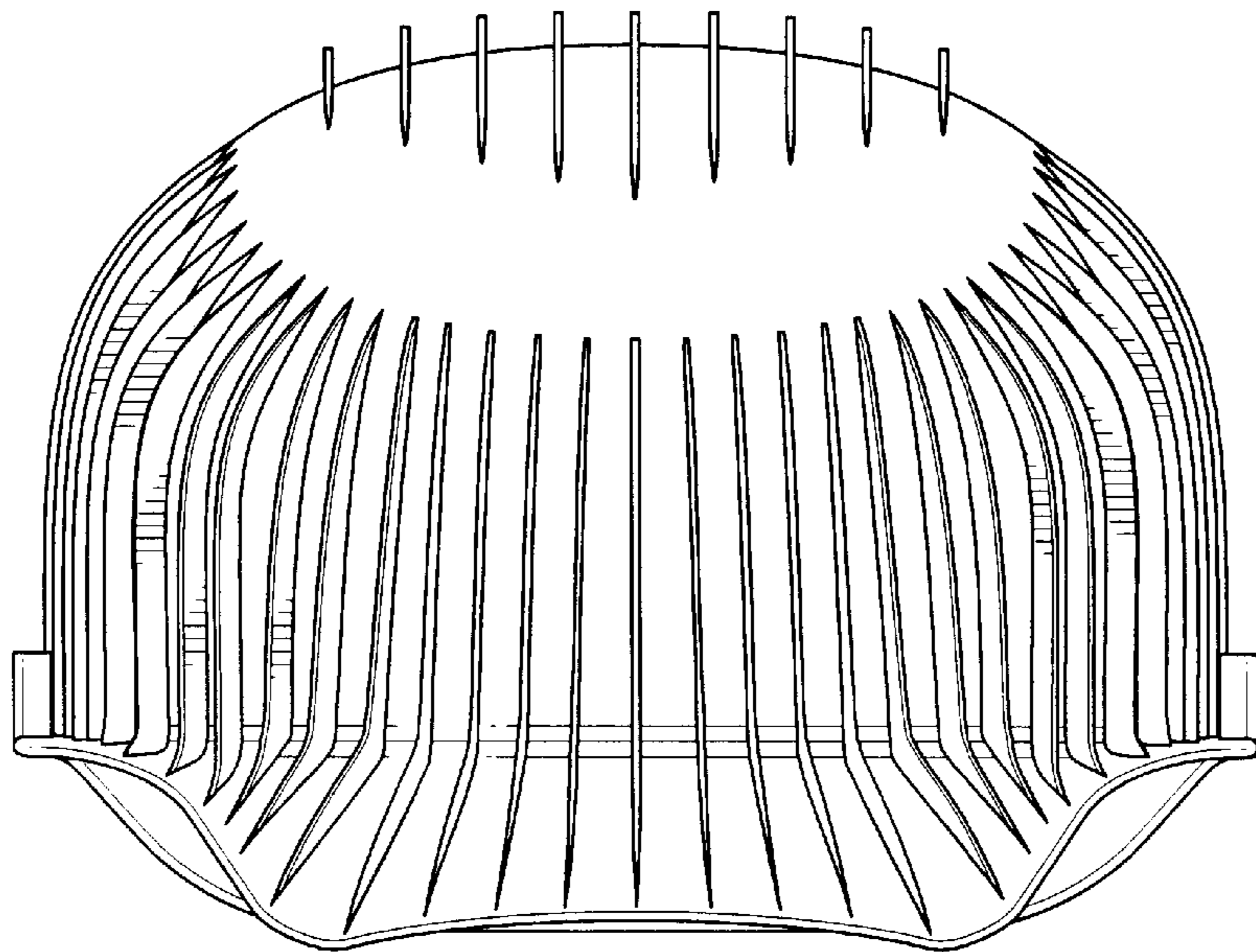
**FIG. 3**



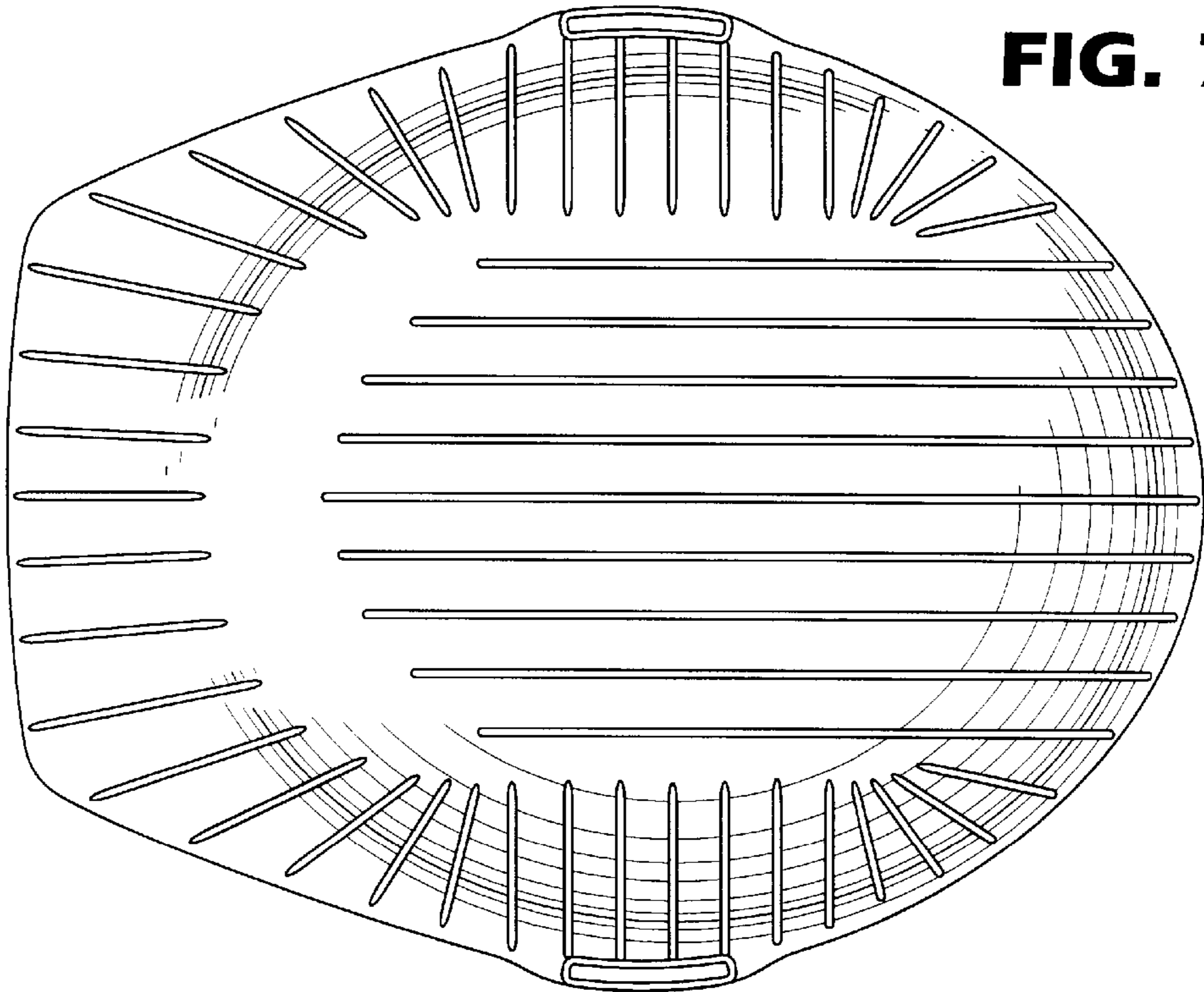
**FIG. 4**



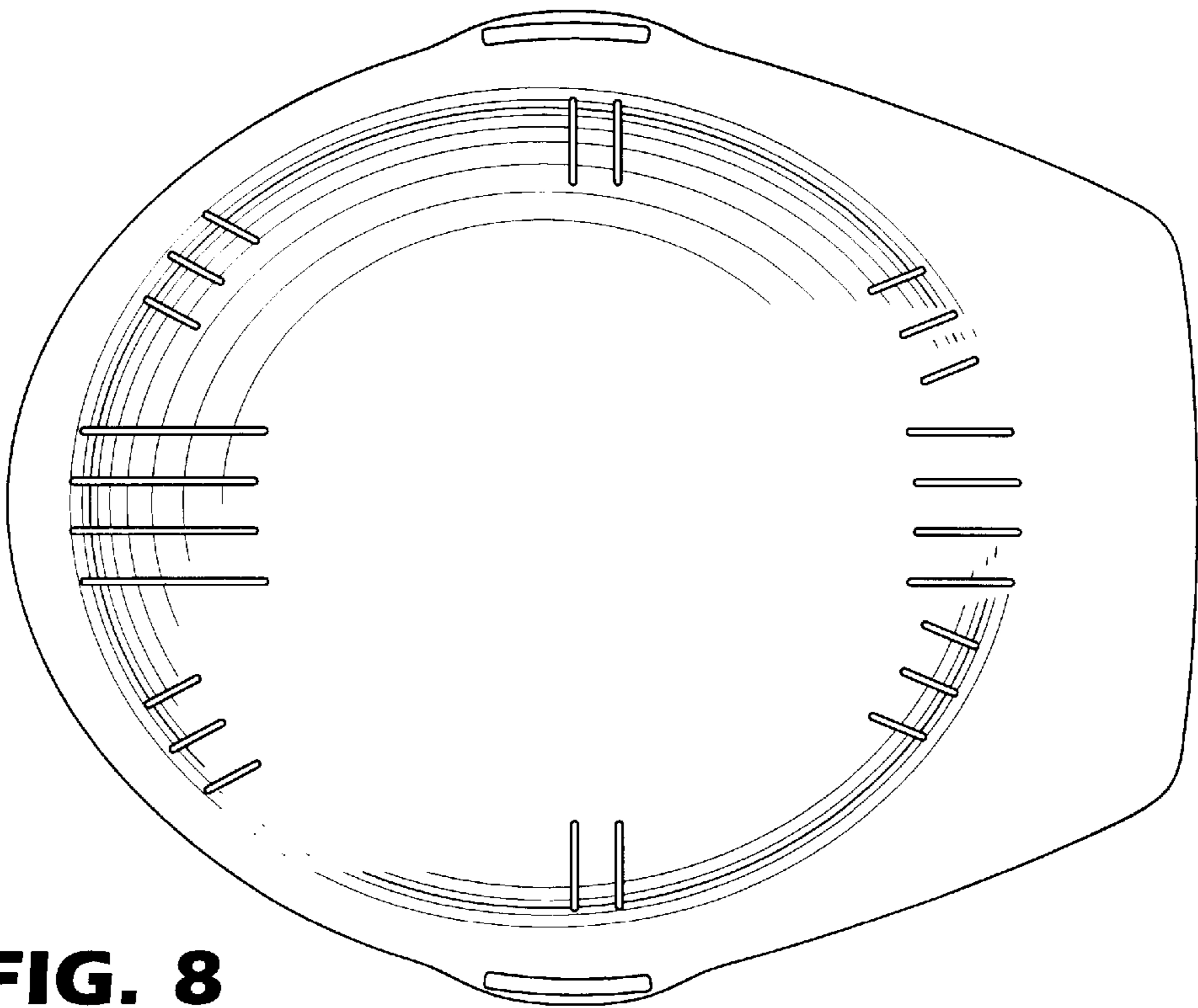
**FIG. 5**



**FIG. 6**



**FIG. 7**



**FIG. 8**