



US00D411327S

United States Patent [19]

Wang

[11] Patent Number: **Des. 411,327**

[45] Date of Patent: **** Jun. 22, 1999**

[54] LAMP

D. 403,800 1/1999 Chen D26/104

[76] Inventor: **Kuang-Ting Wang**, 2F., No.23-3, Alley
160, Lane Yi Pen, Du Hsing Rd.,
Panchiao City, Taipei Hsien, Taiwan

Primary Examiner—Susan J. Luces
Attorney, Agent, or Firm—Pro-Techtor International
Services

[**] Term: **14 Years**

[57] CLAIM

[21] Appl. No.: **29/090,771**

The ornamental design for lamp, as shown and described.

[22] Filed: **Jul. 15, 1998**

DESCRIPTION

[51] LOC (6) Cl. **26-05**

[52] U.S. Cl. **D26/106**

[58] Field of Search D26/93, 101, 102-112;
362/410-414, 806

FIG. 1 is a perspective view of a lamp showing my new design;

FIG. 2 is the front elevational view thereof;

FIG. 3 is the rear elevational view thereof;

FIG. 4 is the top plan view thereof;

FIG. 5 is the bottom plan view thereof;

FIG. 6 is the left side elevational view thereof; and,

FIG. 7 is the right side elevational view thereof.

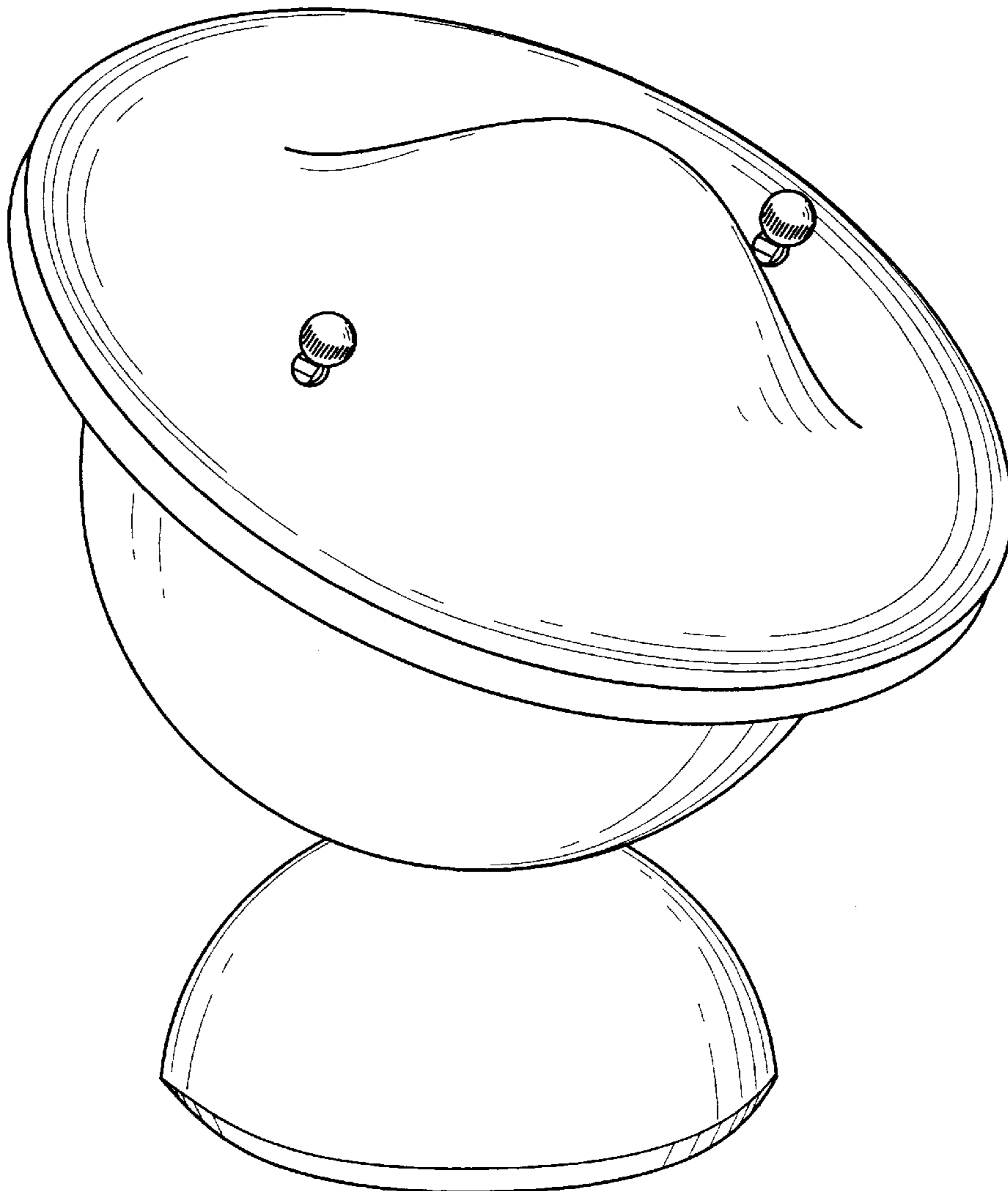
[56] References Cited

U.S. PATENT DOCUMENTS

D. 238,960 2/1976 Leung D26/112

D. 381,110 7/1997 Wang D26/110

1 Claim, 7 Drawing Sheets



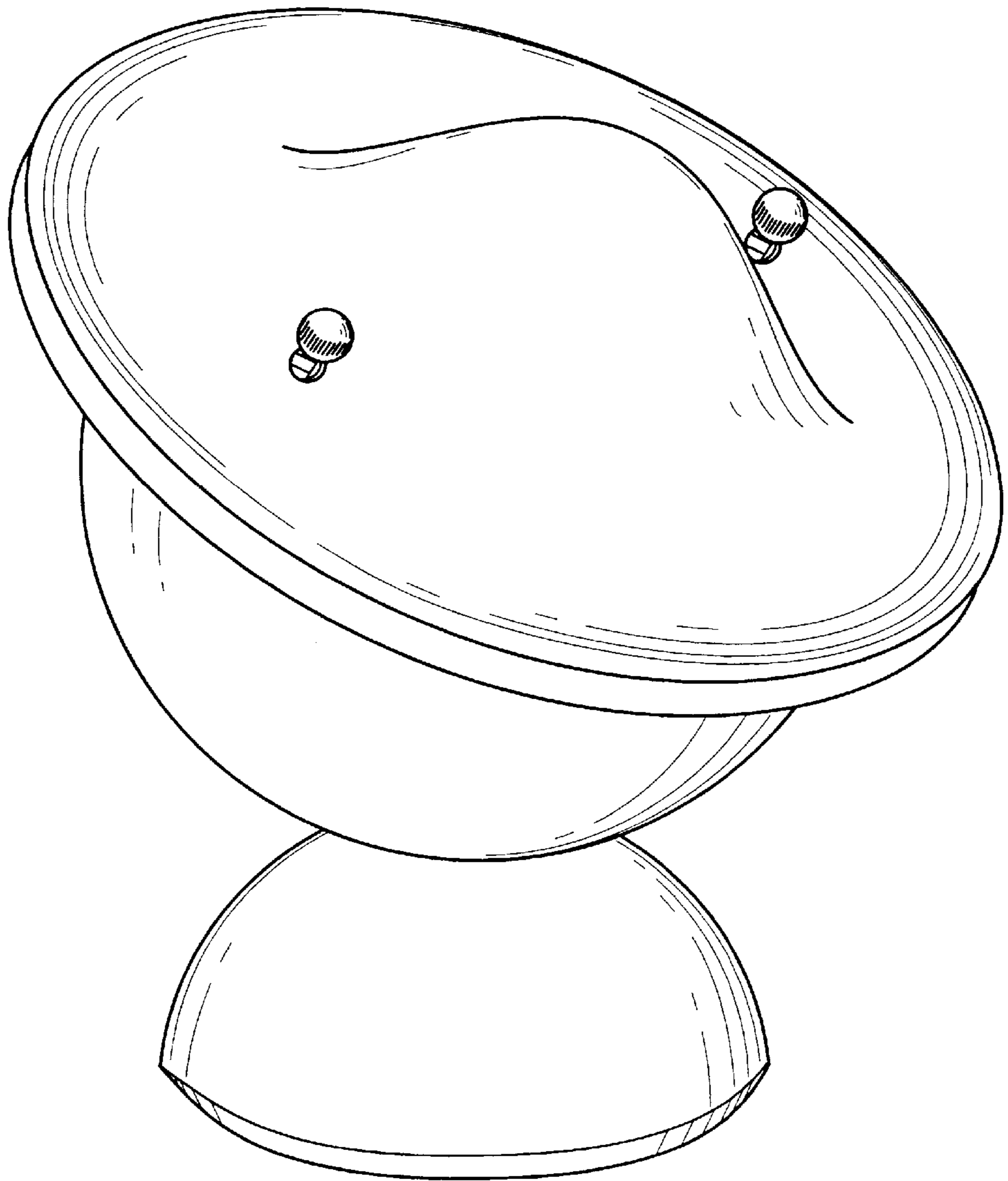


FIG. 1

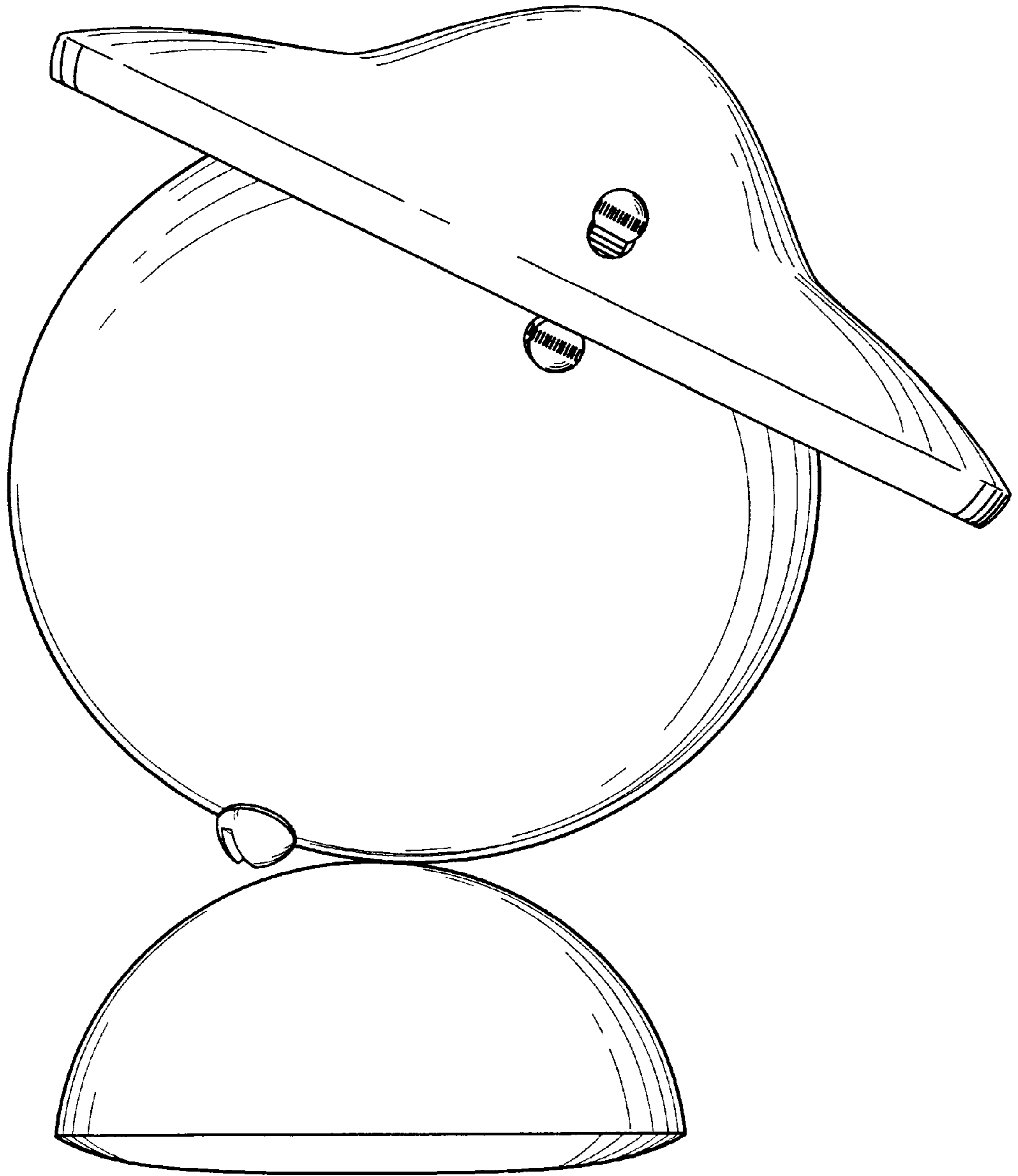


FIG. 2

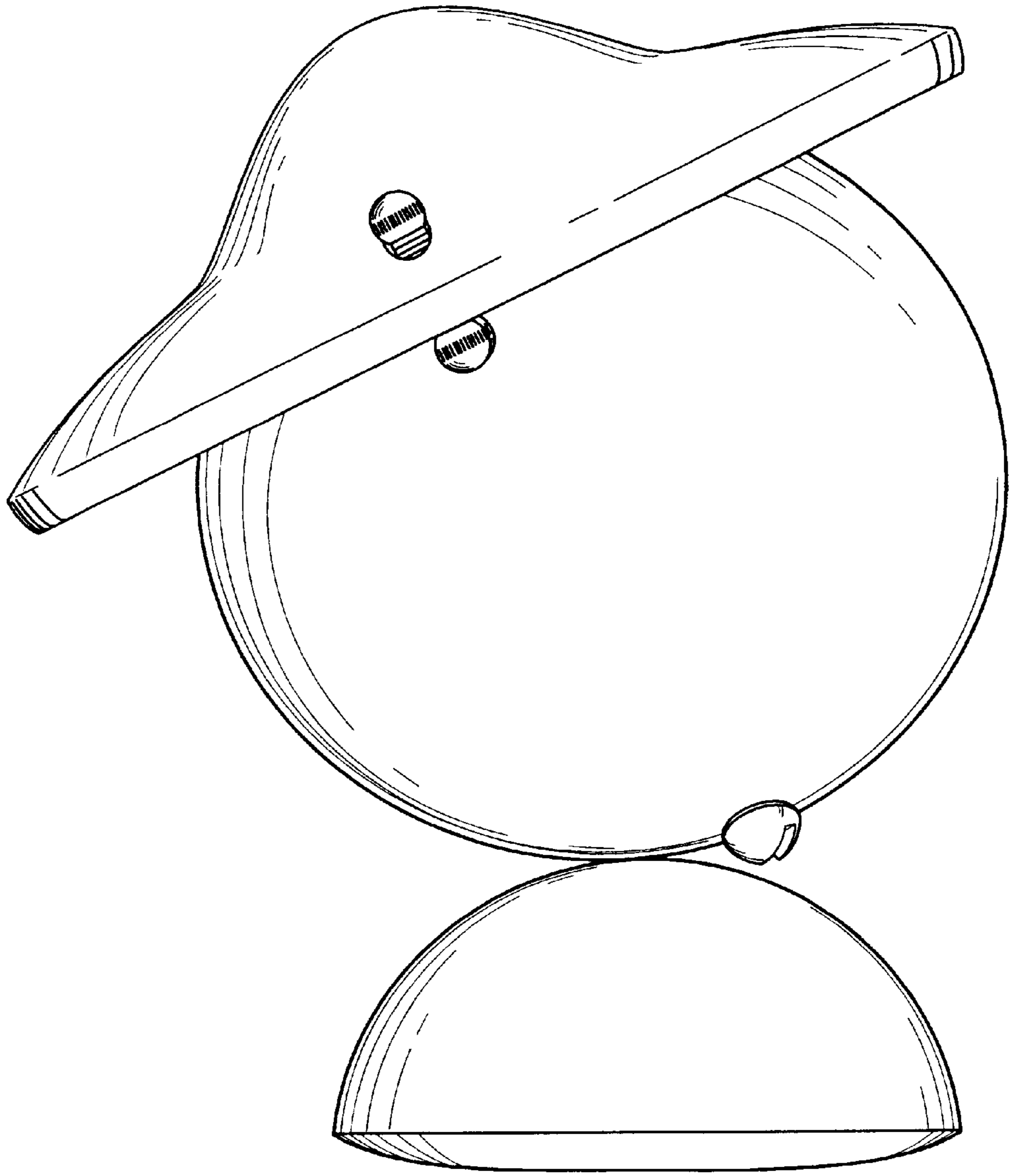


FIG. 3

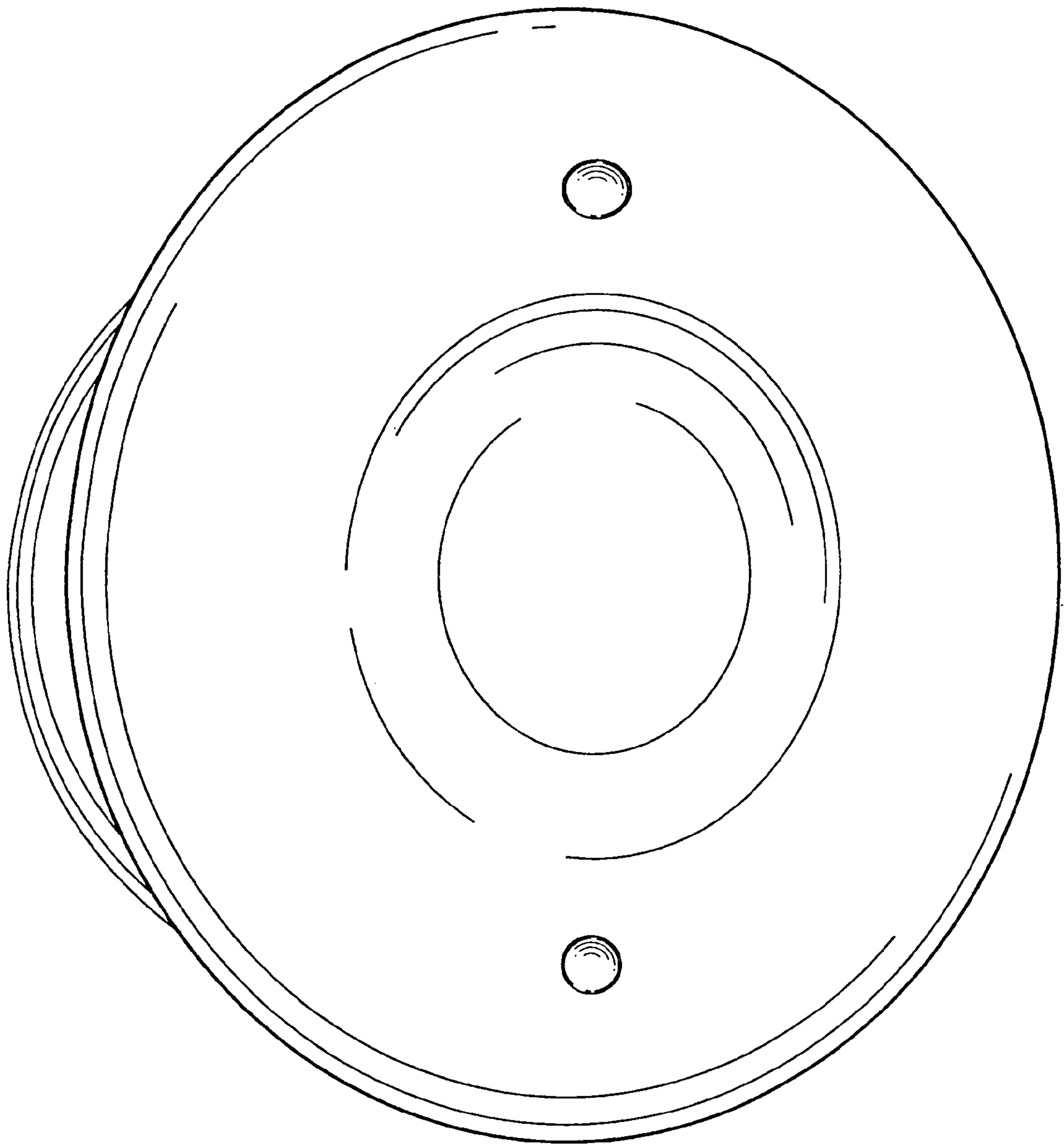


FIG. 4

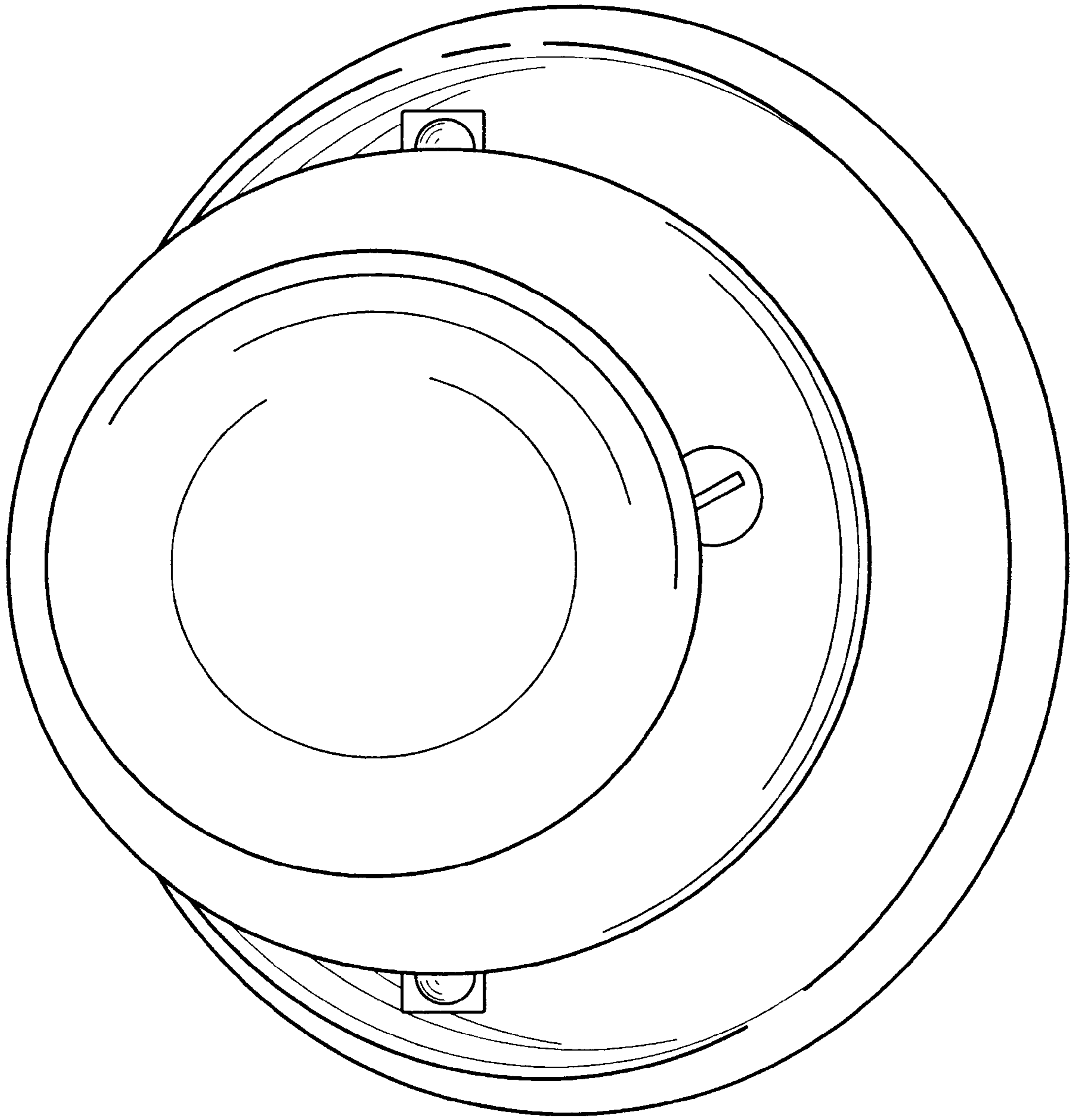


FIG. 5

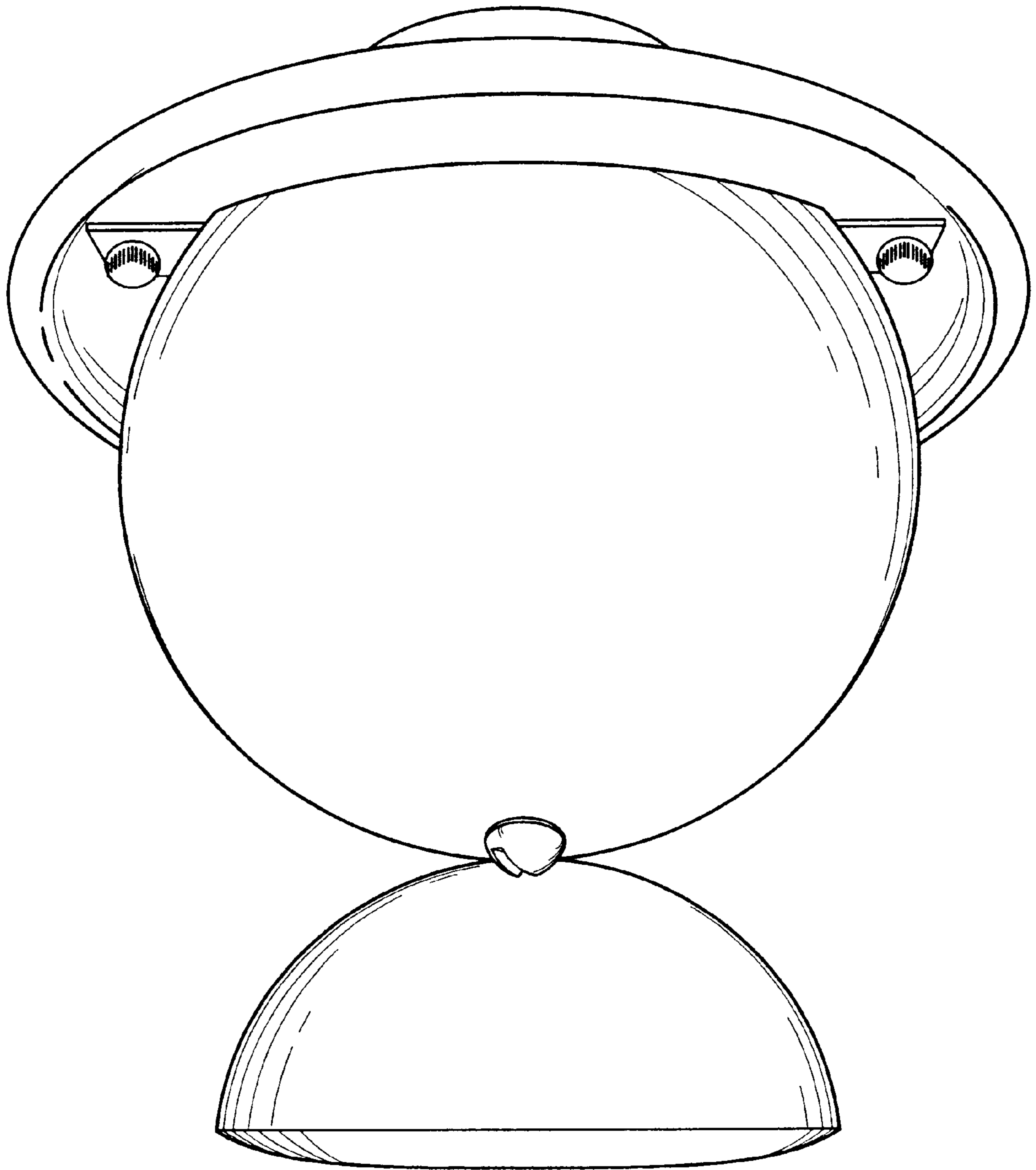


FIG. 6

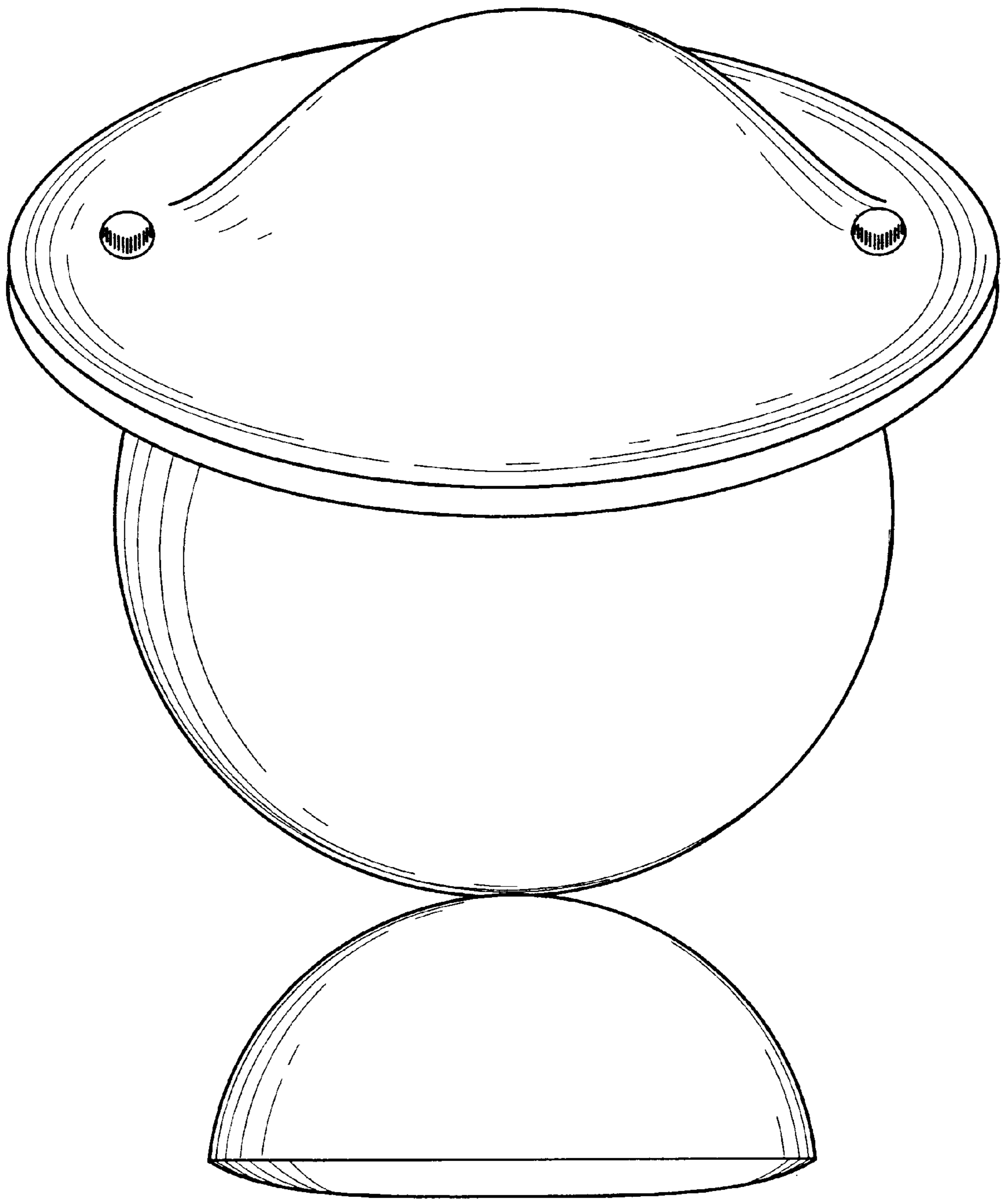


FIG. 7