



US00D411326S

# United States Patent [19] Roorda

[11] **Patent Number: Des. 411,326**

[45] **Date of Patent: \*\* \*Jun. 22, 1999**

[54] **UNDER CABINET HALOGEN LIGHT BAR WITH DOUBLE RECTANGULAR LENS BEZEL**

[75] Inventor: **John W. Roorda**, Del Mar, Calif.

[73] Assignee: **Westek Associates**, San Diego, Calif.

[\*] Notice: This patent is subject to a terminal disclaimer.

[\*\*] Term: **14 Years**

[21] Appl. No.: **29/091,305**

[22] Filed: **Jul. 27, 1998**

[51] **LOC (6) Cl. .... 26-05**

[52] **U.S. Cl. .... D26/87; D26/72**

[58] **Field of Search .... D26/28, 35, 72, D26/80, 81, 82, 83, 84, 85, 86, 87, 88, 89, 90, 91, 92; 362/147, 404-408, 33, 240, 249, 250, 252**

[56] **References Cited**

**U.S. PATENT DOCUMENTS**

D. 279,927	7/1985	Preisler et al. .	
D. 313,863	1/1991	Macaluso .....	D26/72
D. 359,374	6/1995	Weinstock .	
D. 384,762	10/1997	Roorda .	
D. 384,763	10/1997	Roorda .	
D. 397,486	8/1998	Engle et al. ....	D26/87
4,930,056	5/1990	Stephenson et al. ....	362/147 X
5,084,806	1/1992	Nagai .	
5,426,572	6/1995	Weinstock .	
5,437,504	8/1995	Halvatzis .	

**OTHER PUBLICATIONS**

Home Lighting and Accessories, p. 66, AFCO halogen undercabinet light, Feb. 1996.

Ace Momentum Co., Ltd., Low Voltage Light Bars, Model Nos. BA 2, BA2A, BA3, BA3A one page undated. Prior to Filing Date.

Trulite by SimiLights, one page product brochure dated 1993.

Lincs Fluorescent Light Fixture by Alkco, one page product brochure (undated) Prior to Filing Date.

Under Cabinet Lighting System by Tresco, one page product brochure (undated) Prior to Filing Date.

Lampi Fluorescent Light Fixture, one page product brochure (undated) Prior to Filing Date.

Eclairage AXIS Lighting, one page product brochure (undated) Prior to Filing Date.

*Primary Examiner*—Susan J. Lucas

*Attorney, Agent, or Firm*—Brown Martin Haller & McClain

[57] **CLAIM**

The ornamental design for an under cabinet halogen light bar with double rectangular lens bezel, as shown and described.

**DESCRIPTION**

FIG. 1 is a perspective view of an under cabinet halogen light bar with double rectangular lens bezel embodying my new design.

FIG. 2 is a top plan view thereof;

FIG. 3 is a front end elevation view thereof taken from the bottom of FIG. 2;

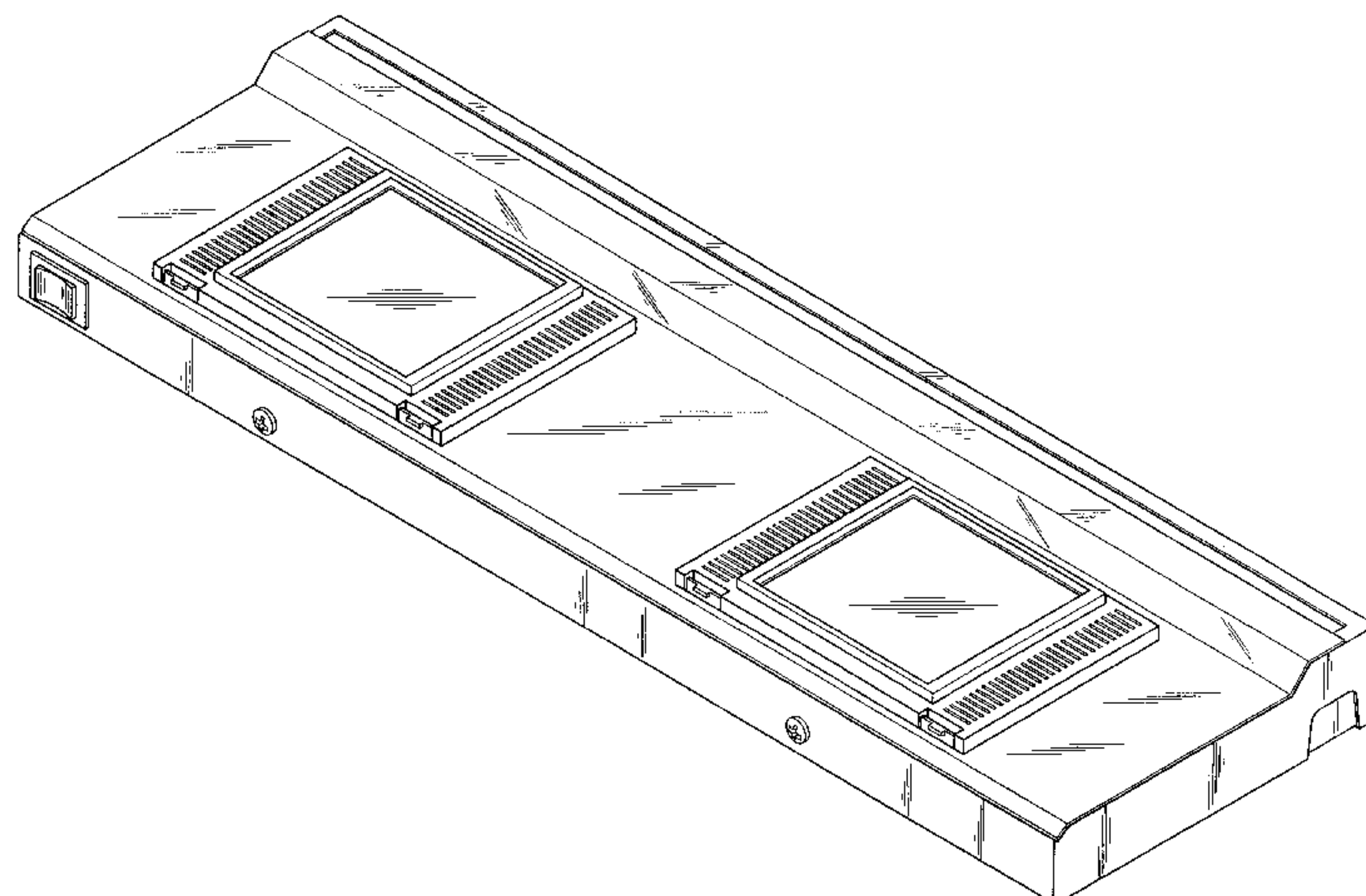
FIG. 4 is a rear end elevation view thereof taken from the top of FIG. 2;

FIG. 5 is a bottom plan view thereof;

FIG. 6 is an end elevation view thereof taken from the left end of FIG. 2; and,

FIG. 7 is an end elevation view taken from the right end of FIG. 2.

**1 Claim, 3 Drawing Sheets**



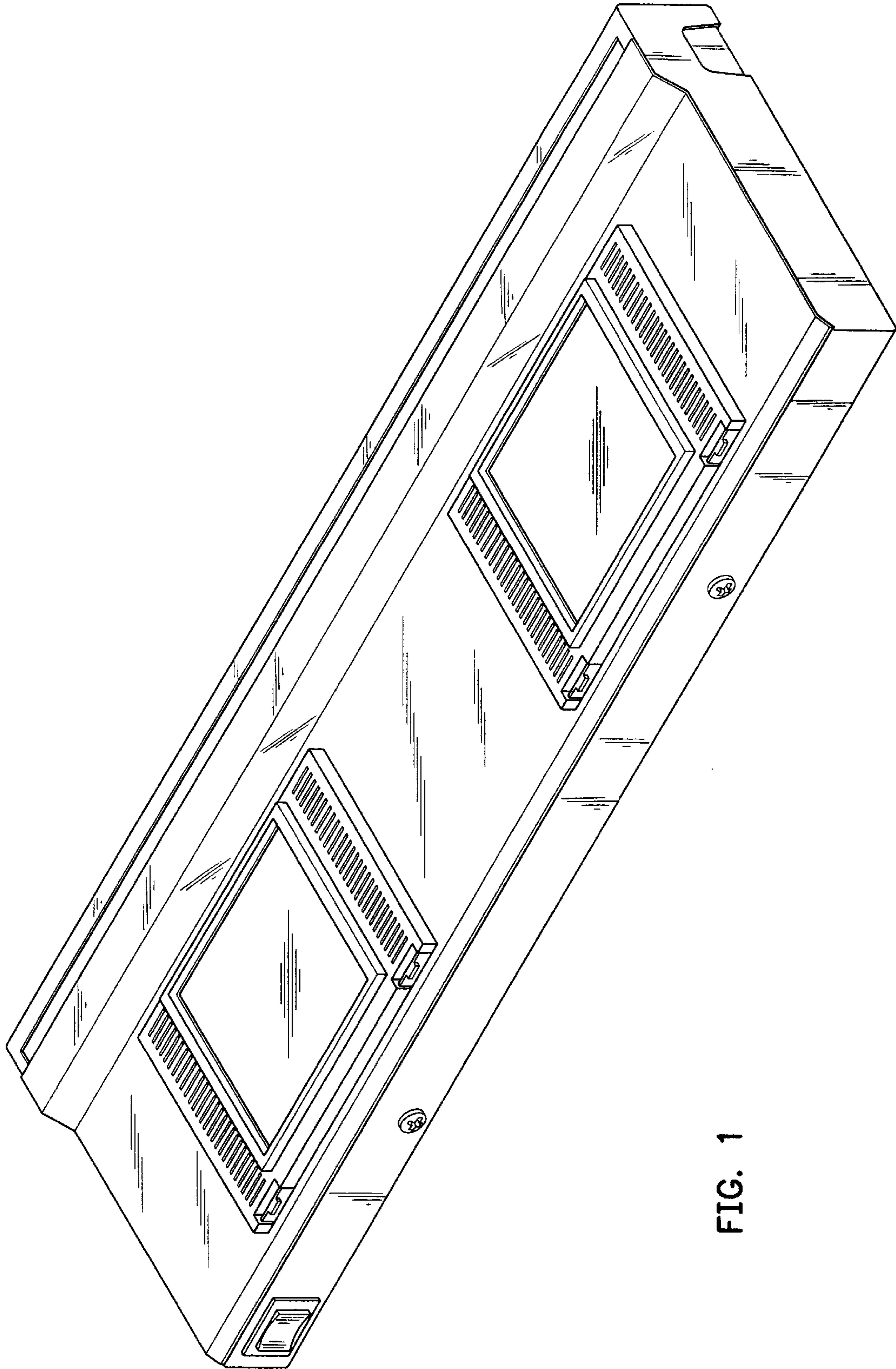


FIG. 1

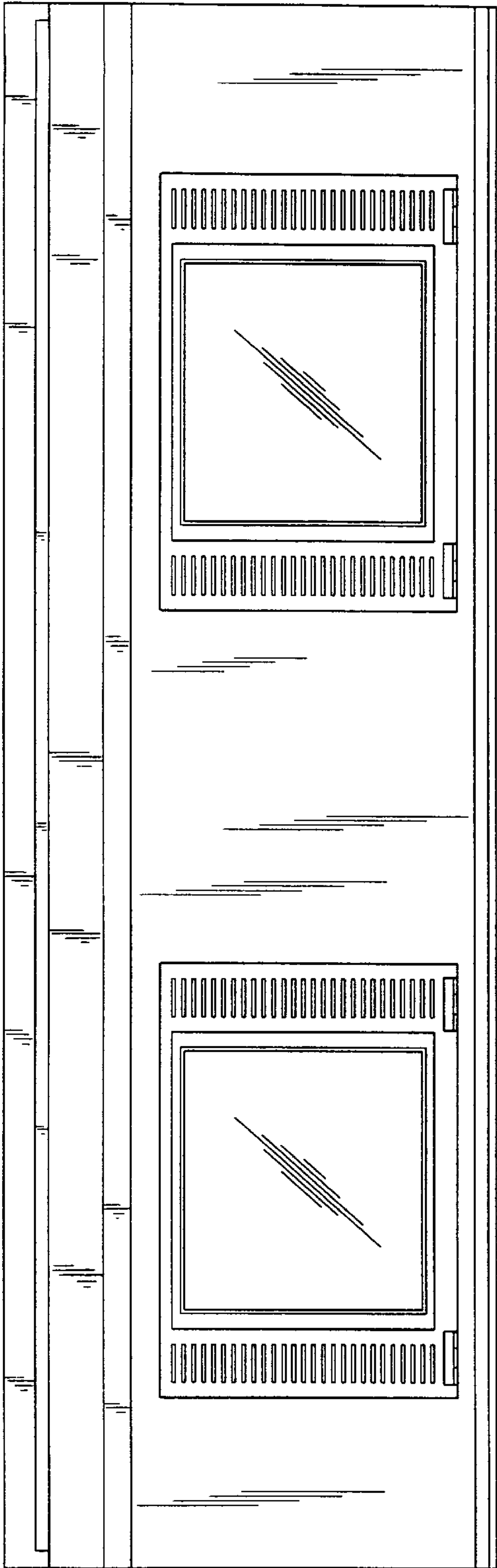


FIG. 2

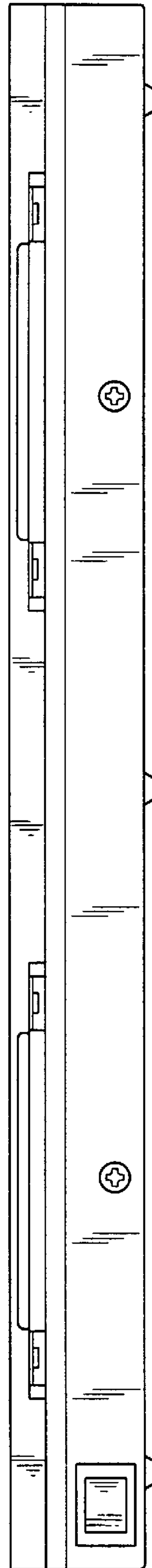


FIG. 3

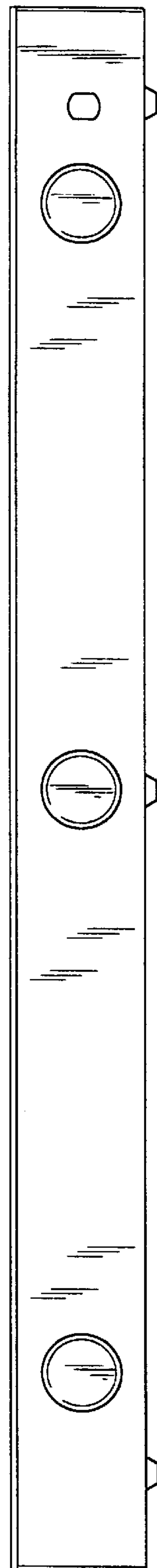


FIG. 4

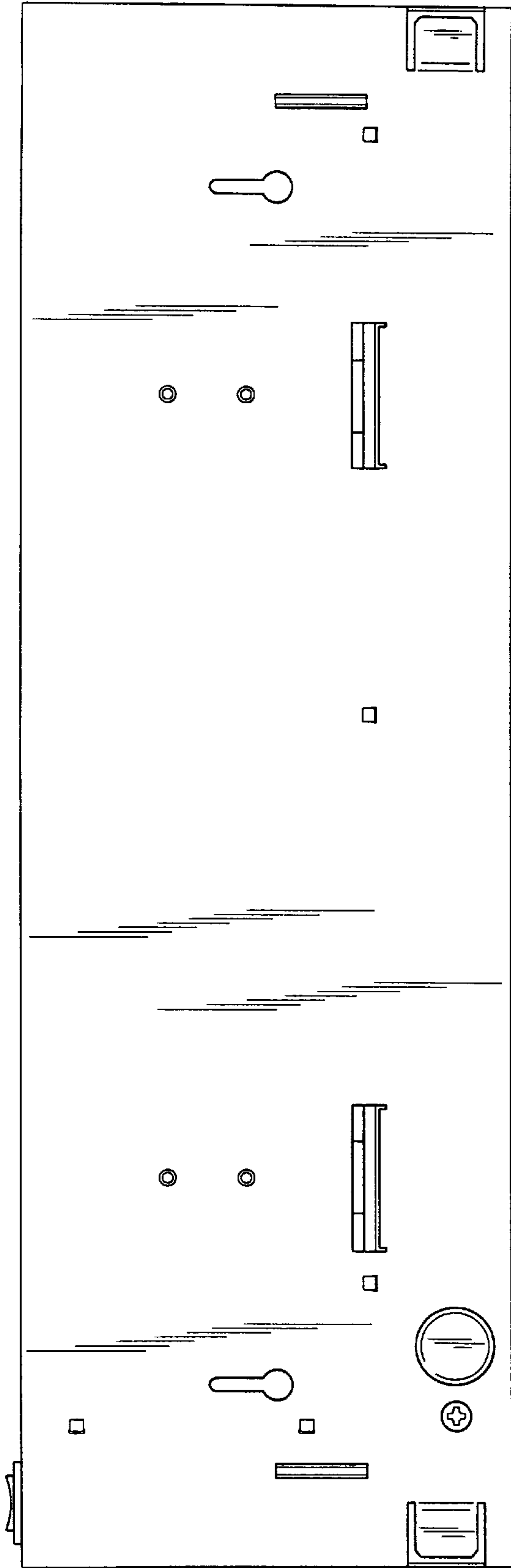


FIG. 5



FIG. 6

FIG. 7