



US00D411319S

**United States Patent** [19]  
**Baker**

[11] **Patent Number: Des. 411,319**  
[45] **Date of Patent: \*\* Jun. 22, 1999**

[54] **ORNAMENTAL LIGHT STRING**

*Primary Examiner*—Susan J. Lucas

[76] **Inventor: Robert L Baker**, 396 Rutland Dr.,  
Mount Juliet, Tenn. 37122

[57] **CLAIM**

[\*\*] **Term: 14 Years**

The ornamental design for a ornamental light string, as shown and described.

[21] **Appl. No.: 29/093,759**

**DESCRIPTION**

[22] **Filed: Sep. 17, 1998**

FIG. 1 is a front elevational view of the ornamental light string of the present invention;

[51] **LOC (6) Cl. .... 26-05**

FIG. 2 is a back elevational view of the ornamental light string of FIG. 1;

[52] **U.S. Cl. .... D26/25; D11/163; D26/125**

FIG. 3 is a right side elevational view of the ornamental light string of FIG. 1;

[58] **Field of Search .... D26/25, 26, 73,  
D26/97; 362/806, 800, 811, 240, 249, 250,  
252; D11/112, 138, 163**

FIG. 4 is a top plan view of the ornamental light string of FIG. 1; and,

[56] **References Cited**

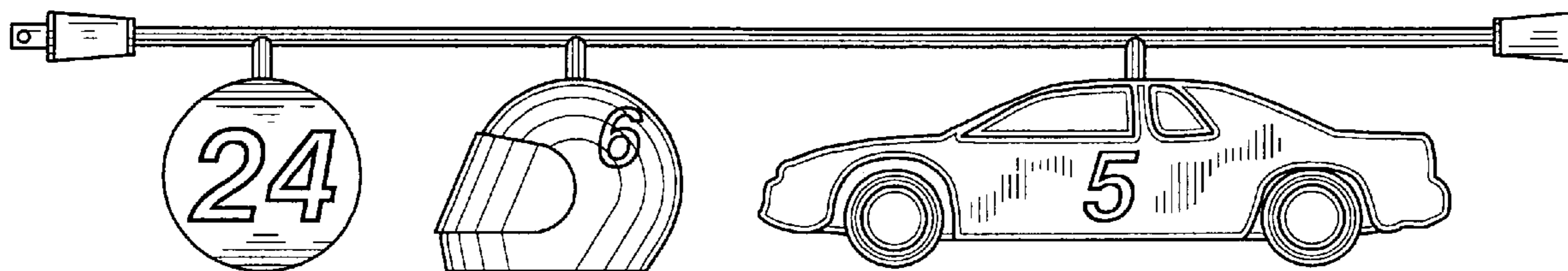
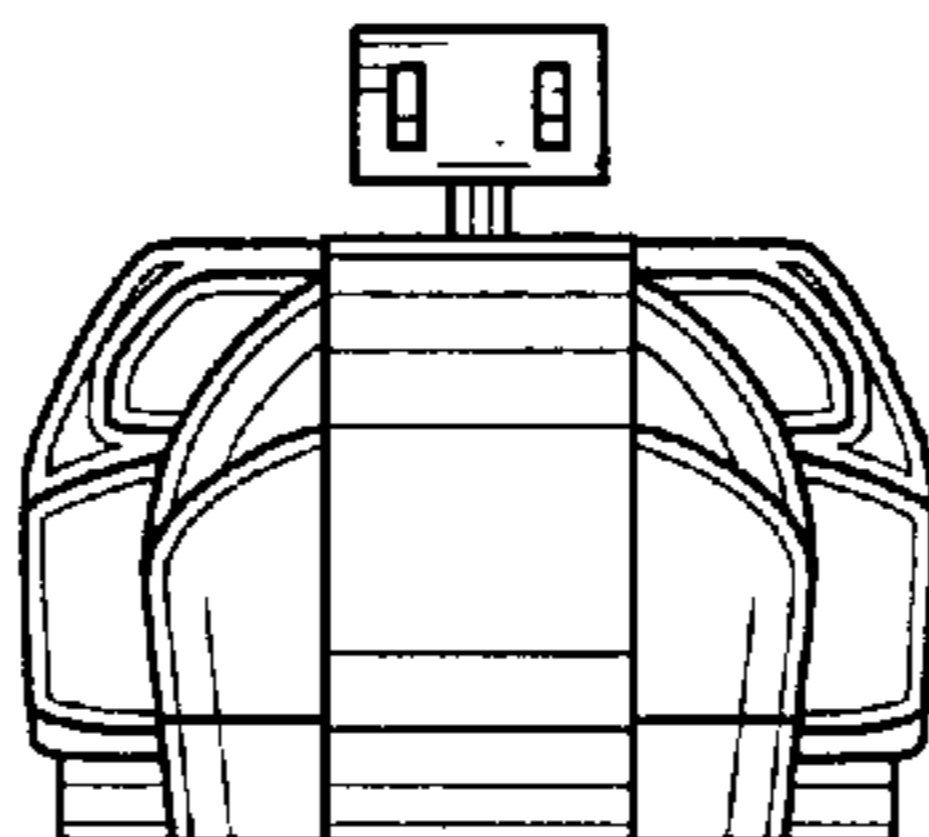
FIG. 5 is a bottom plan view of the ornamental light string of FIG. 1.

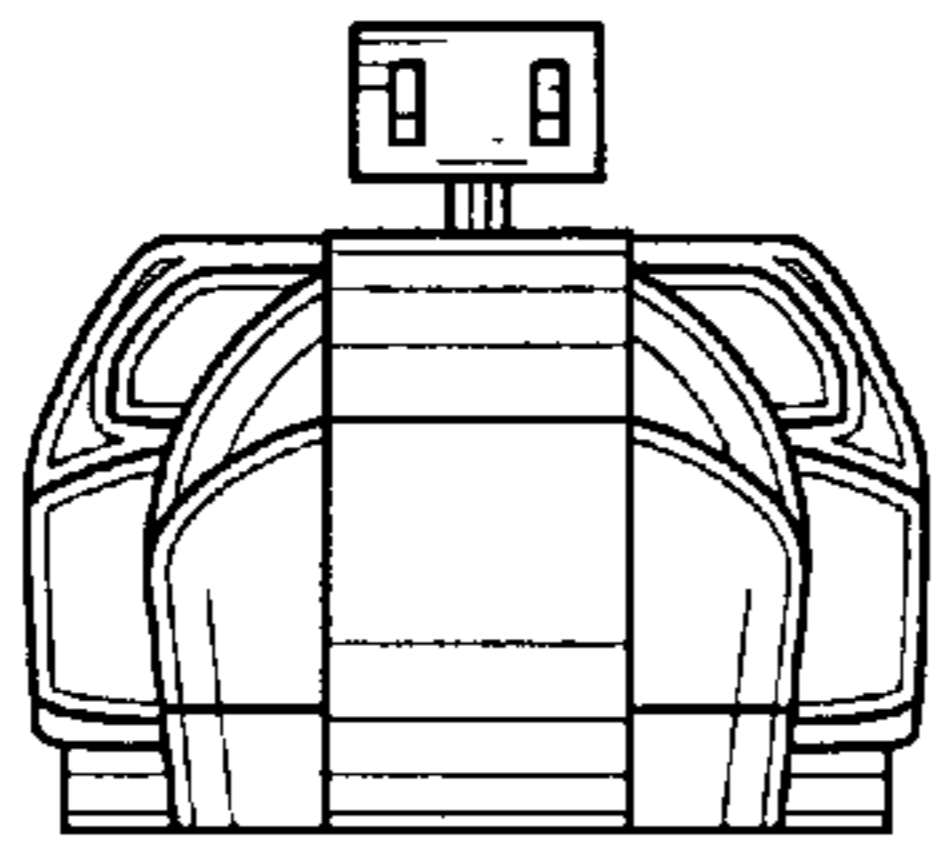
**U.S. PATENT DOCUMENTS**

The right side elevational view of the ornamental light string is a mirror image of FIG. 3.

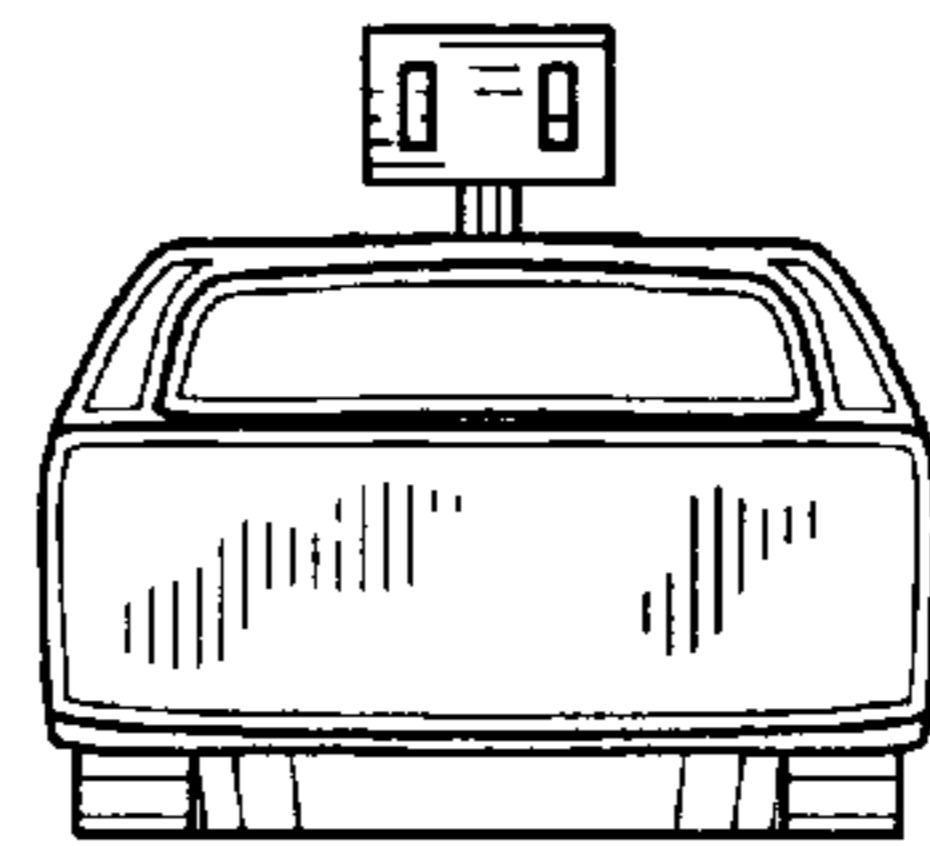
- D. 288,725 3/1987 Fisher ..... D26/94
- D. 337,836 7/1993 Johnson ..... D26/25
- D. 374,293 10/1996 Streger ..... D26/25

**1 Claim, 2 Drawing Sheets**

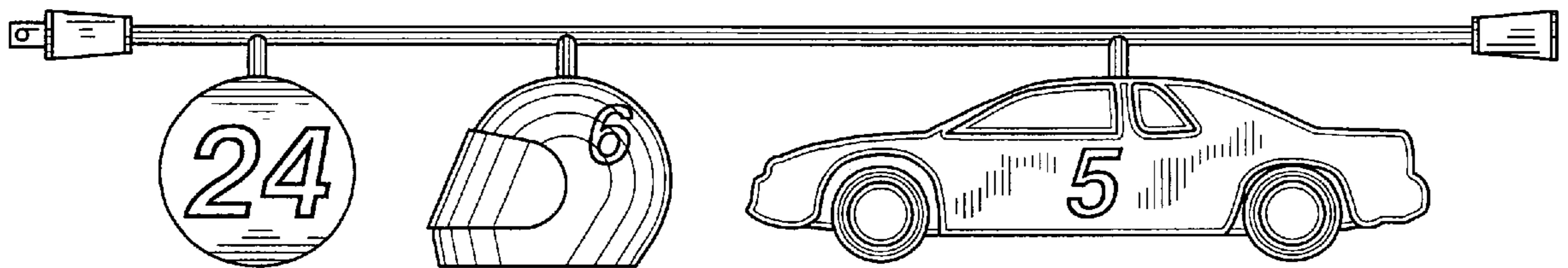




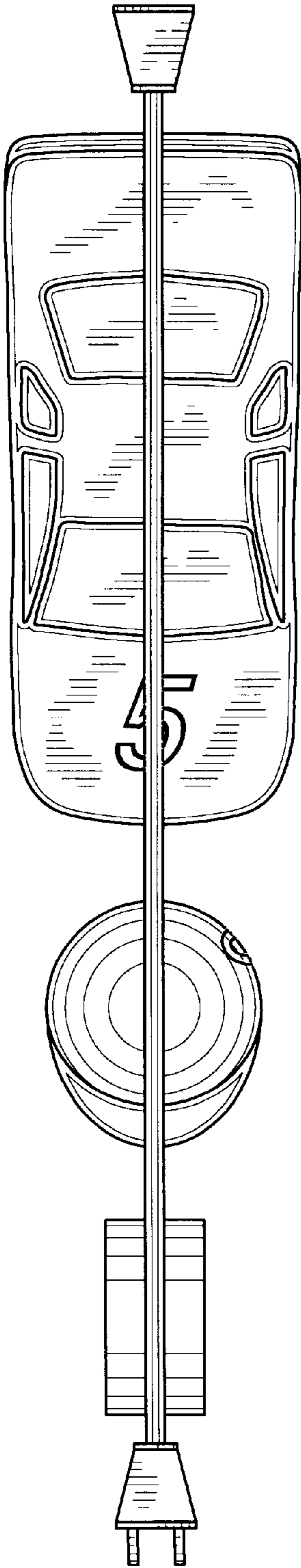
*Fig. 1*



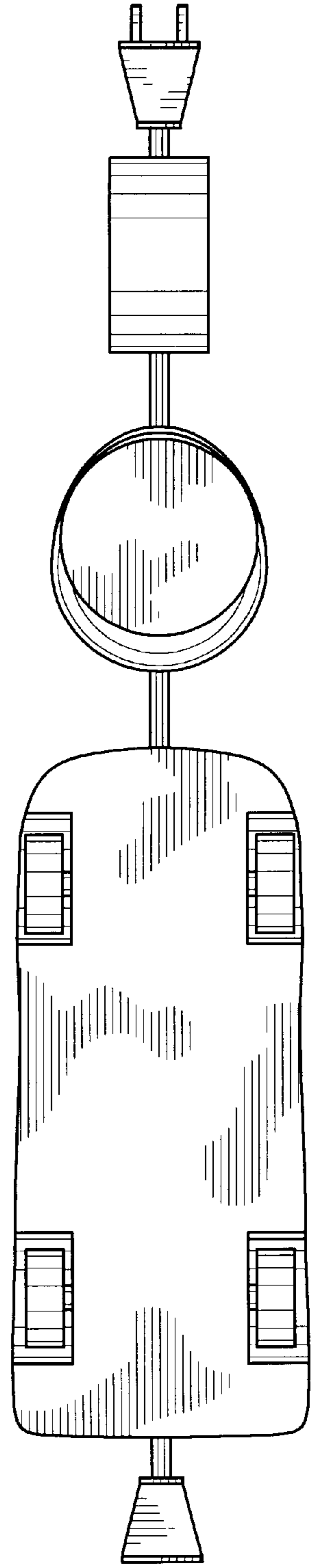
*Fig. 2*



*Fig. 3*



*Fig. 4*



*Fig. 5*