



US00D411316S

United States Patent [19]

Alvarez et al.

[11] Patent Number: Des. 411,316

[45] Date of Patent: ** Jun. 22, 1999

[54] ROOF TILE

[75] Inventors: **Alfonso V. Alvarez**, San Bernidino, Calif.; **Woods W. Burnett**, North Augusta, S.C.; **Eric Martin Hahn**, Aliso Viejo, Calif.; **Walter Arthur Schreifels**, Carlsbad, Calif.; **Joseph Edward Smith**, Rancho Mirage, Calif.; **Patrick Gene Sullivan**, Fountain Valley, Calif.

[73] Assignee: **Boral Lifetile, Inc.**, Newport Beach, Calif.

[**] Term: **14 Years**

[21] Appl. No.: **29/070,863**

[22] Filed: **Apr. 15, 1997**

[51] LOC (6) Cl. **25-01**

[52] U.S. Cl. **D25/140**

[58] Field of Search D25/139, 140; 52/519, 521, 531, 536, 539, 546, 547, 551, 554, 555, 311.2, 518

[56] **References Cited**

U.S. PATENT DOCUMENTS

- D. 27,761 10/1897 Mark .
- D. 34,586 5/1901 Weil et al. .
- D. 53,102 3/1919 Creighton D25/139
- 147,061 2/1874 Manvel .
- D. 208,887 10/1967 Gillis D25/139

(List continued on next page.)

FOREIGN PATENT DOCUMENTS

- AC 70225 3/1992 Canada .
- 0088198 A2 9/1983 European Pat. Off. .
- 0115374 A2 8/1984 European Pat. Off. .
- 0175500 A2 3/1986 European Pat. Off. .
- 0236585 A1 9/1987 European Pat. Off. .
- 0375802 A1 7/1990 European Pat. Off. .

(List continued on next page.)

Primary Examiner—Doris Clark
Attorney, Agent, or Firm—Jones & Askew, LLP

[57] **CLAIM**

We claim the ornamental design for a roof tile, as shown and described.

DESCRIPTION

FIG. 1 is a top perspective view of a first embodiment of the present invention, including two “cut-out” portions in its butt end. The broken lines are for illustrative purposes and form no part of the claimed design.

FIG. 2 is a top perspective view of a second embodiment of the present invention including one “cut-out” portion in its butt end. The broken lines are for illustrative purposes and form no part of the claimed design.

FIG. 3 is a top perspective view of a third embodiment of the present invention, including one “cut-out” portion in its butt end. The broken lines are for illustrative purposes and form no part of the claimed design.

FIG. 4 is a top perspective view of a fourth embodiment of the present invention, including one “cut-out” portion in its butt end. The broken lines are for illustrative purposes and form no part of the claimed design.

FIG. 5 is a top plan view of the fourth embodiment of the present invention of FIG. 4.

FIG. 6 is a bottom perspective view of the fourth embodiment of the present invention, the broken lines showing structural ribs are for illustrative purposes only and form no part of the claimed design.

FIG. 7 is an elevational view of the upper end of the roof tile of FIG. 4.

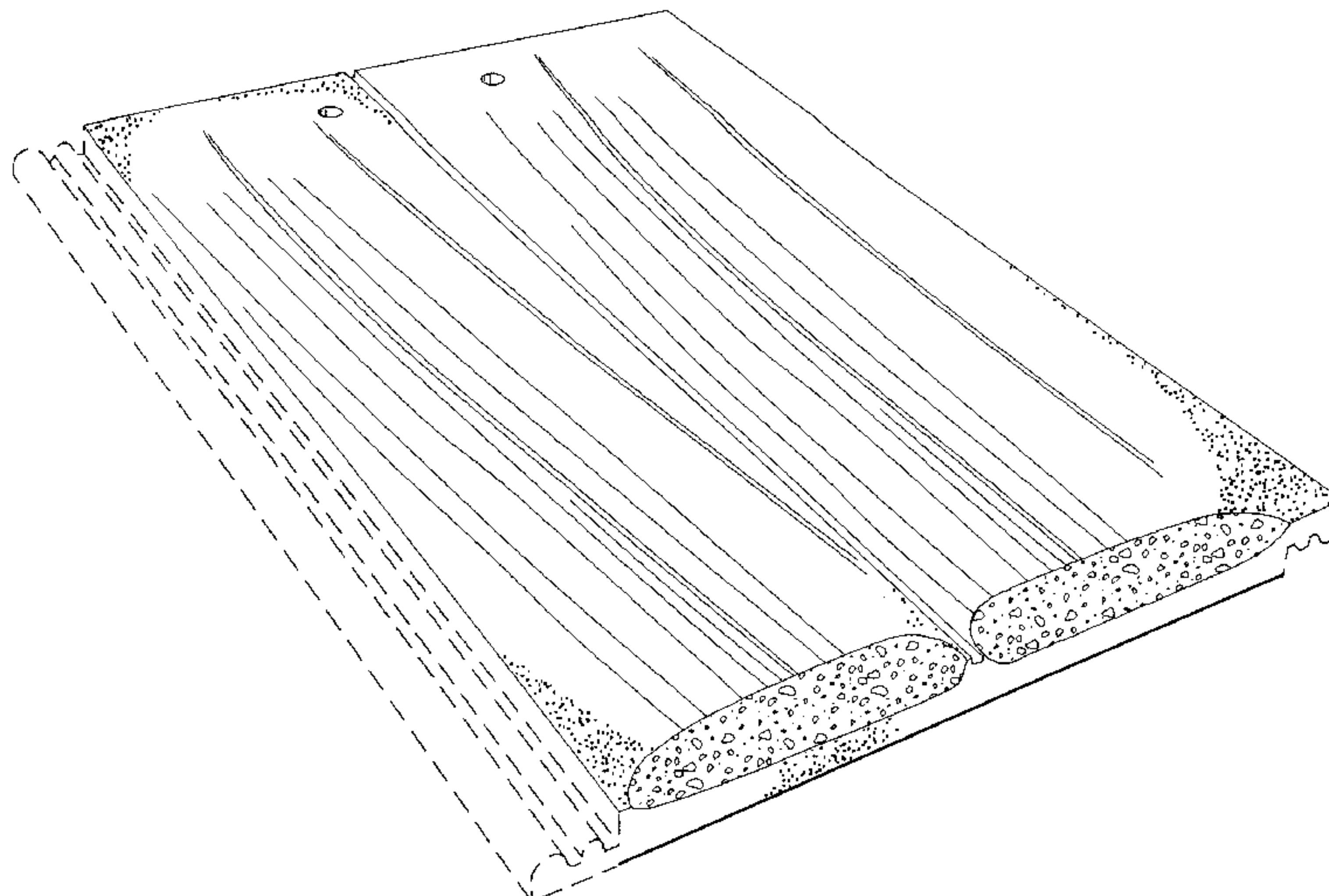
FIG. 8 is an elevational view of the butt end of the roof tile of FIG. 4.

FIG. 9 is a left side elevational view of the roof tile of FIG. 4; and,

FIG. 10 is a right side elevational view of the roof tile of FIG. 4.

The bottom of the roof tile in FIGS. 1 through 3 is substantially similar to the bottom of the roof tile in FIG. 6.

1 Claim, 4 Drawing Sheets



U.S. PATENT DOCUMENTS

D. 282,288 1/1986 Bates .
 D. 283,551 4/1986 Repasky .
 D. 320,091 9/1991 Paquette .
 D. 321,942 11/1991 Lynn .
 D. 338,541 8/1993 Fifield .
 D. 347,483 5/1994 Thomas .
 D. 356,873 3/1995 Bamber et al. .
 D. 370,539 6/1996 Treat .
 479,442 7/1892 Marvick .
 491,625 2/1893 Wutke .
 1,427,968 9/1922 Pederson .
 1,454,070 5/1923 Openshaw .
 1,993,086 3/1935 Chaffee .
 2,340,038 1/1944 Buczkowski et al. .
 2,393,379 1/1946 Jones 52/518
 2,510,416 6/1950 Pretty .
 2,624,298 1/1953 Farren .
 3,267,823 8/1966 MacRae .
 3,440,777 4/1969 Martin .
 3,667,184 6/1972 Merrill et al. D25/139
 3,740,914 6/1973 Diez .
 3,873,225 3/1975 Jakobsen .
 3,899,855 8/1975 Gadsby .
 4,034,528 7/1977 Sanders et al. .
 4,065,899 1/1978 Kirkuff .
 4,130,974 12/1978 Chalmers et al. .
 4,185,939 1/1980 Barth et al. .
 4,279,106 7/1981 Gleason et al. .
 4,506,483 3/1985 Phalen, Jr. .
 4,535,579 8/1985 Burgoyne et al. .
 4,574,536 3/1986 Bamber et al. .
 4,731,969 3/1988 Baker et al. .

4,738,068 4/1988 Mendez .
 4,752,520 6/1988 Franklin .
 4,890,432 1/1990 Shepherd .
 4,899,514 2/1990 Brookhart, Jr. .
 4,932,184 6/1990 Waller .
 5,070,671 12/1991 Fifield et al. .
 5,214,895 6/1993 Fifield .
 5,268,028 12/1993 Fifield .
 5,395,442 3/1995 Dunton et al. .
 5,406,766 4/1995 Nicholas et al. .
 5,490,360 2/1996 Fifield et al. .
 5,502,940 4/1996 Fifield .
 5,603,758 2/1997 Schreifels .

FOREIGN PATENT DOCUMENTS

1259641 8/1961 France .
 0 095 420 A1 11/1983 France .
 93888 12/1896 Germany .
 D-9125 6/1990 Ireland .
 1 569 978 6/1980 Switzerland .
 1 020 013 of 0000 United Kingdom .
 416649 10/1934 United Kingdom .
 483969 3/1938 United Kingdom .
 896450 6/1960 United Kingdom .
 995692 7/1963 United Kingdom .
 2046808 11/1980 United Kingdom .
 1586369 3/1981 United Kingdom .
 2111550 7/1983 United Kingdom .
 2123058 1/1984 United Kingdom .
 2178773 2/1987 United Kingdom .
 2245613 1/1992 United Kingdom .
 WO89/06728 7/1989 WIPO .

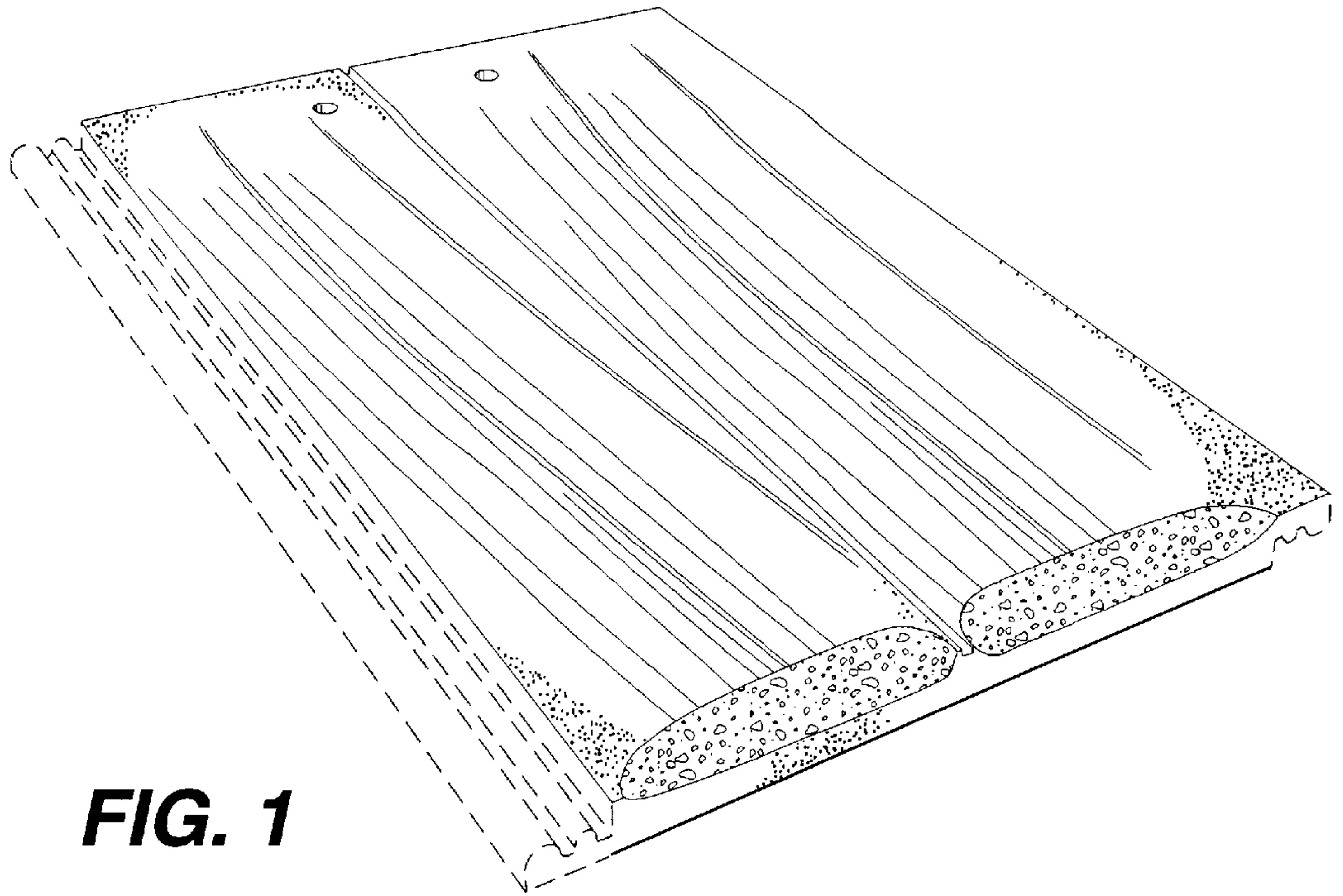


FIG. 1

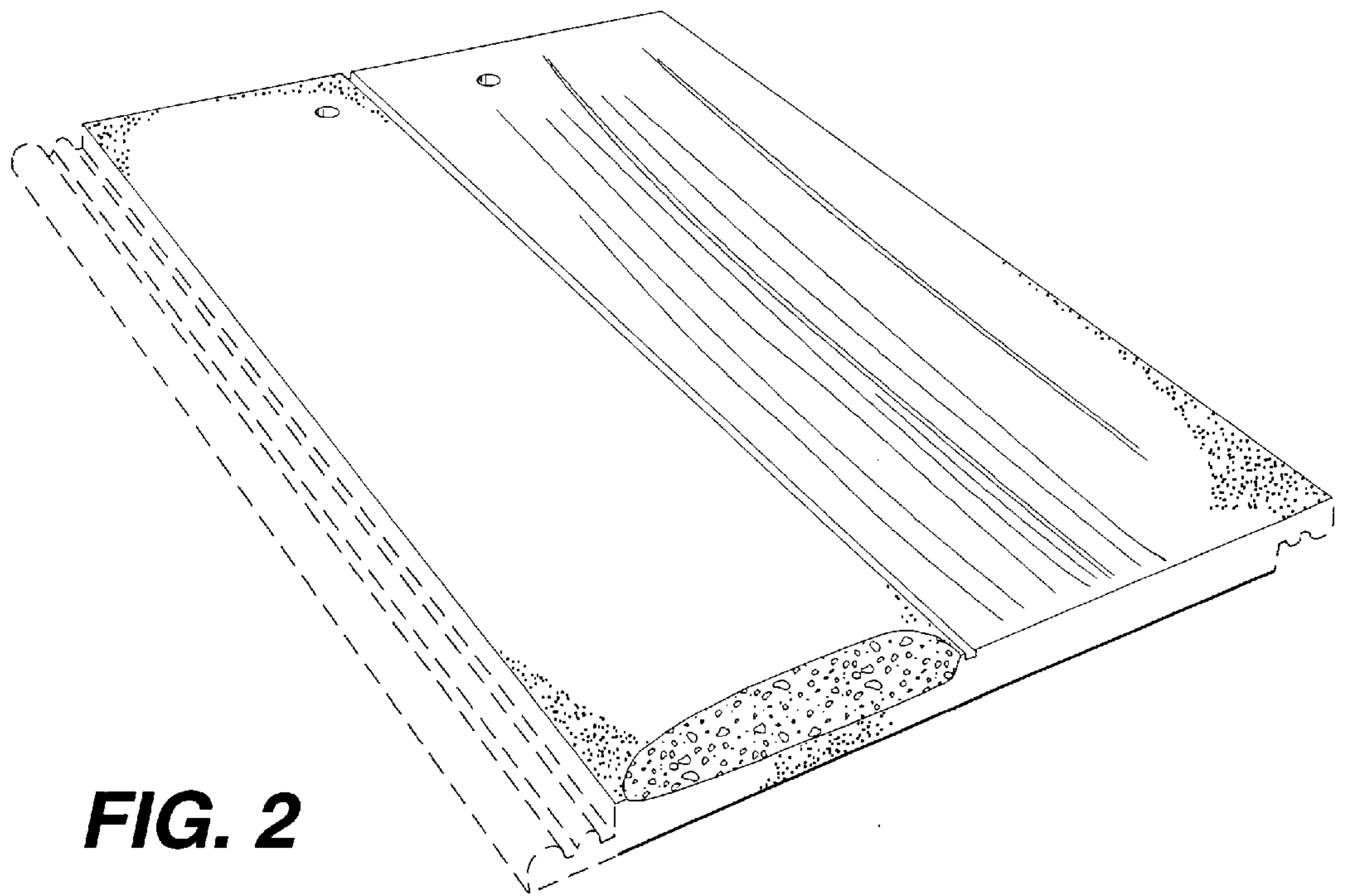


FIG. 2

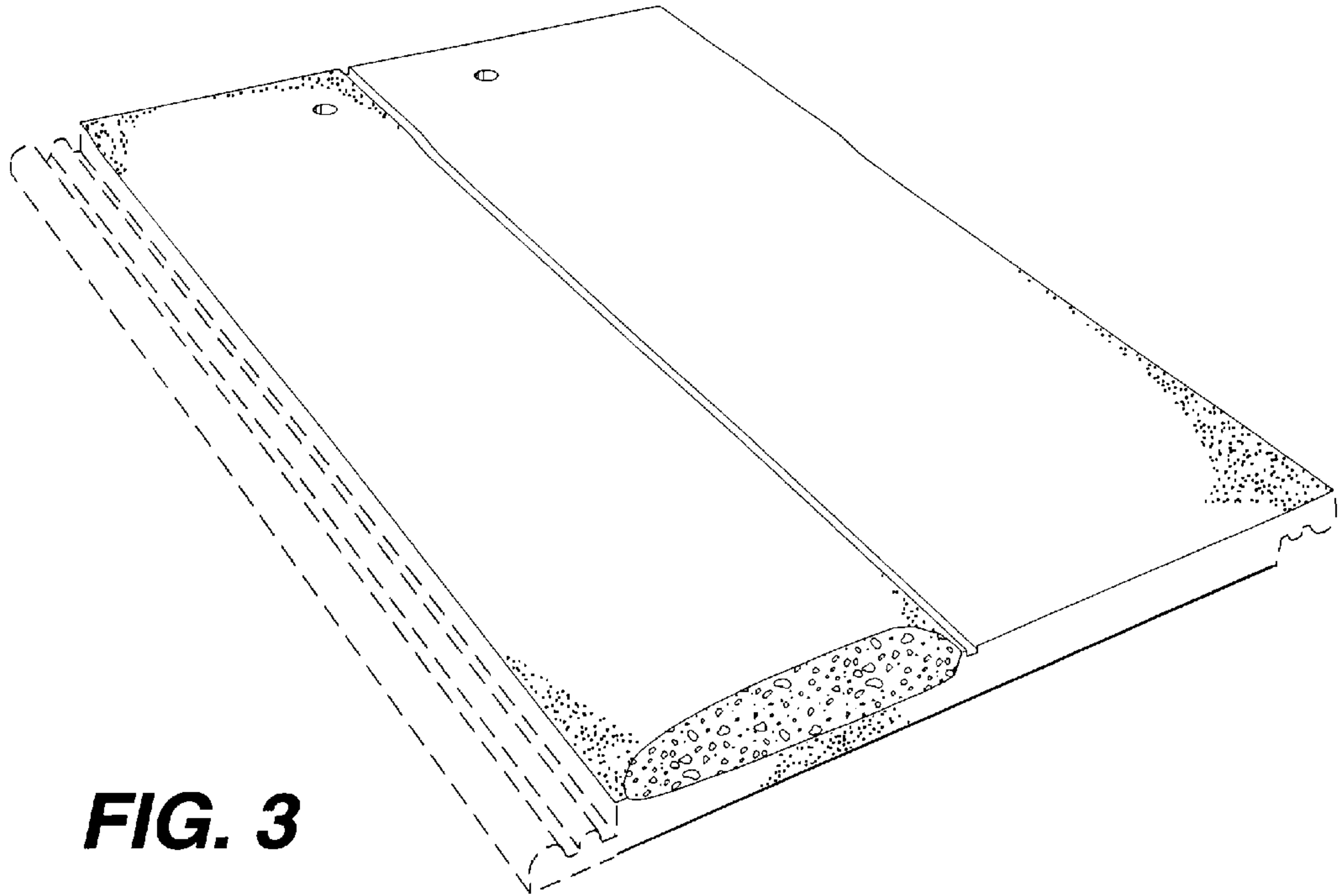


FIG. 3

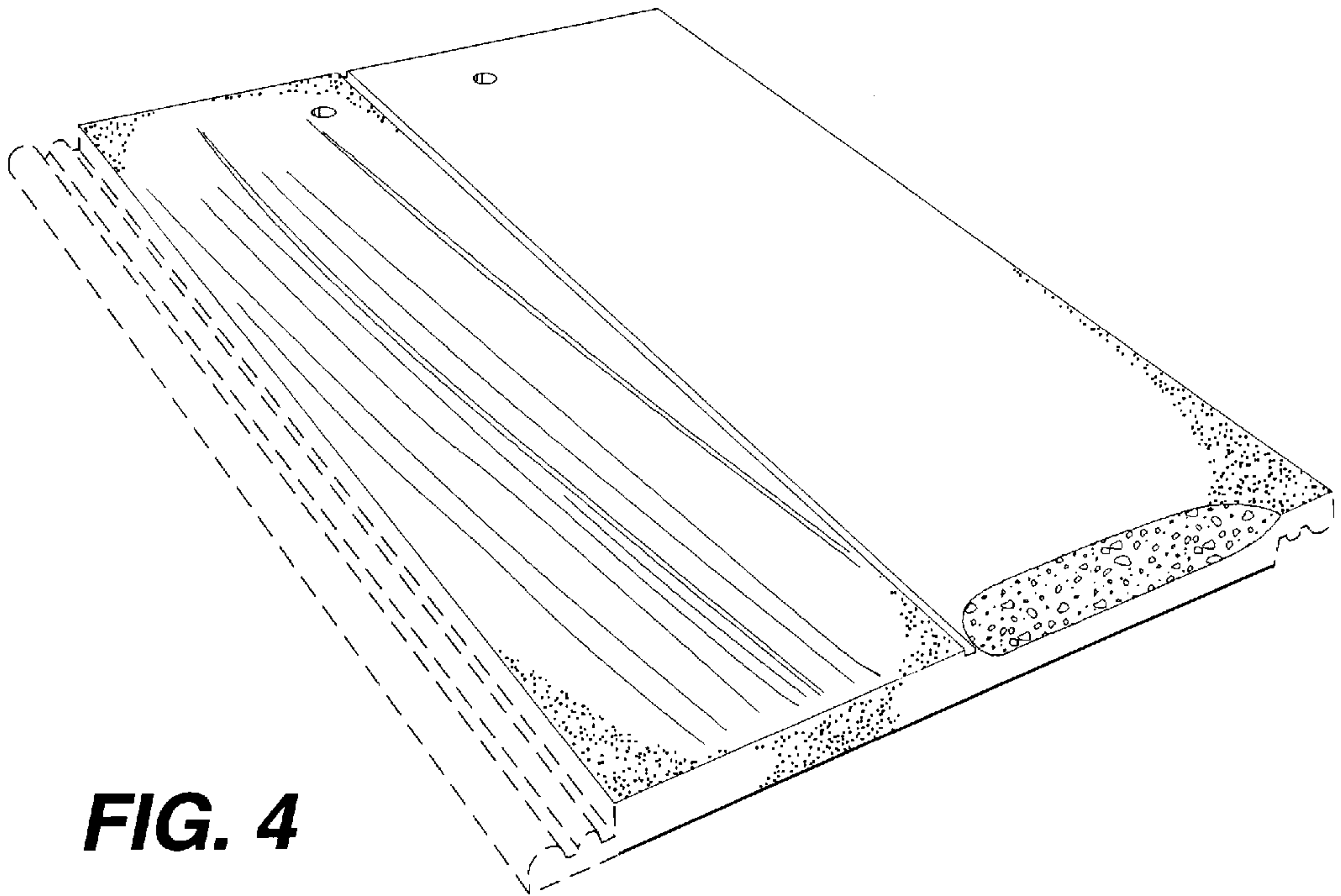


FIG. 4

FIG. 5

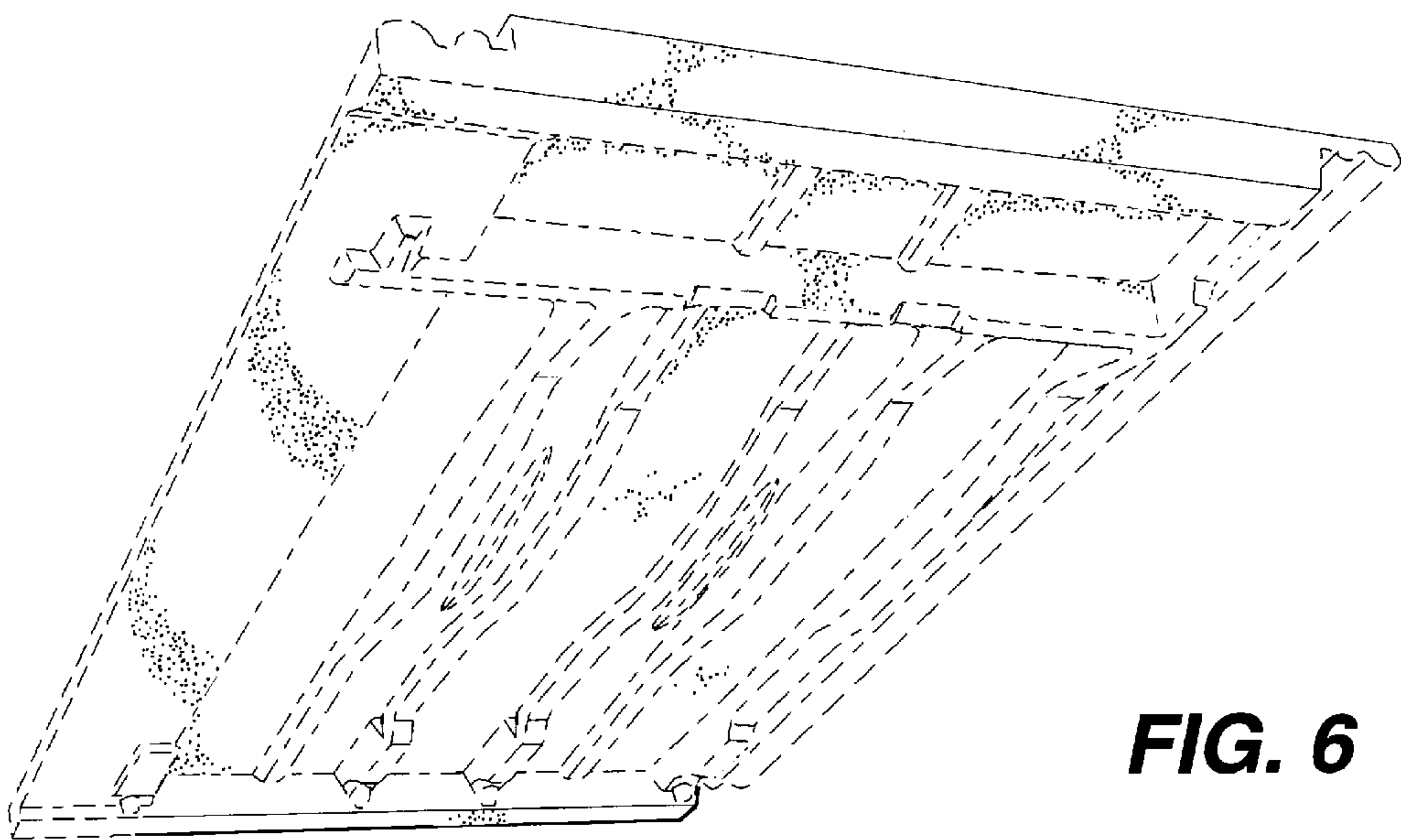
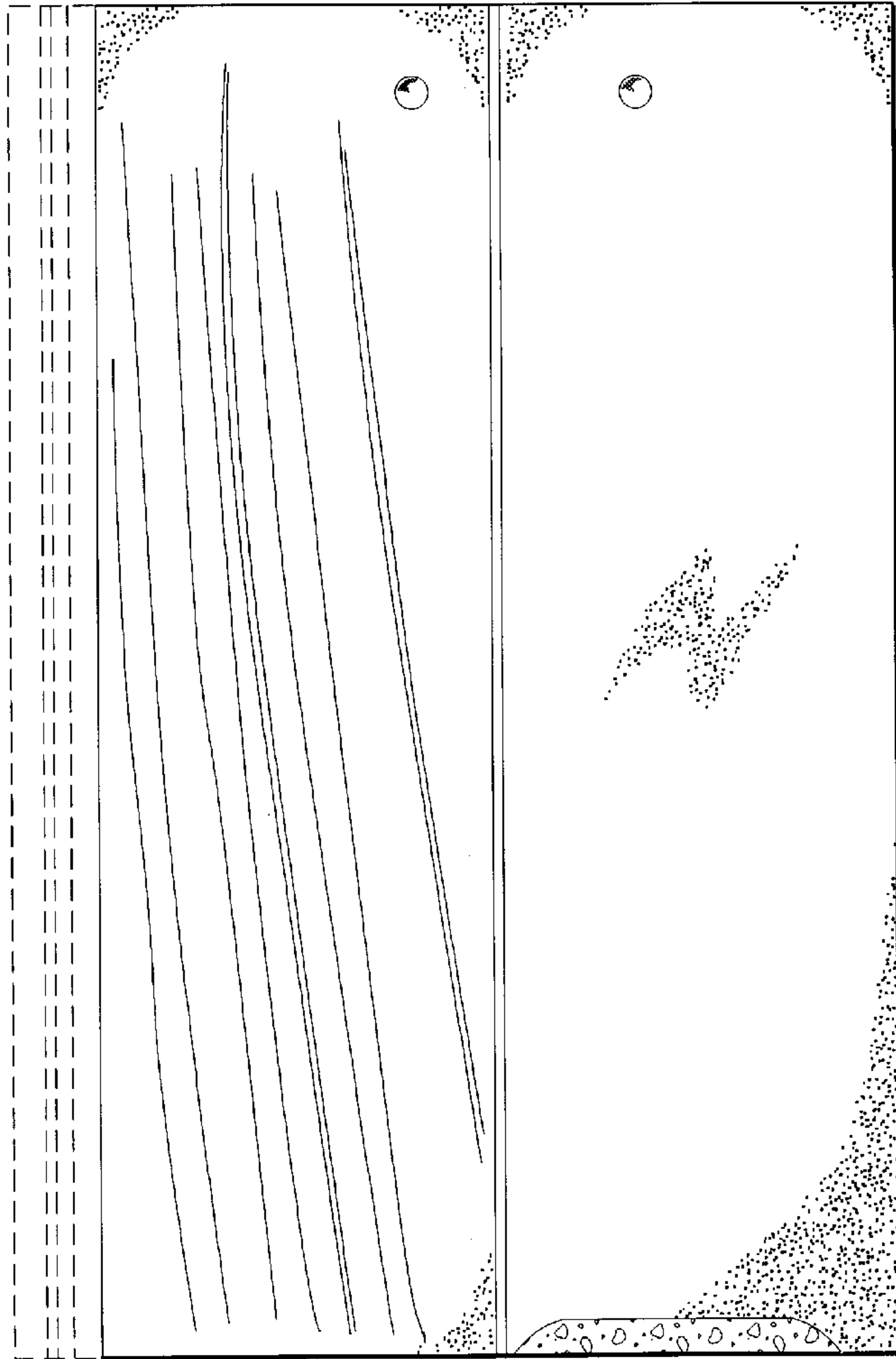


FIG. 6

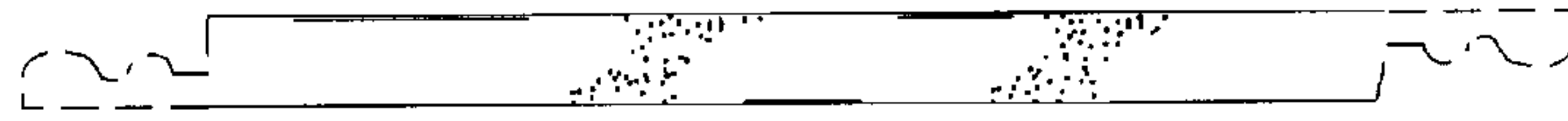


FIG. 7



FIG. 8

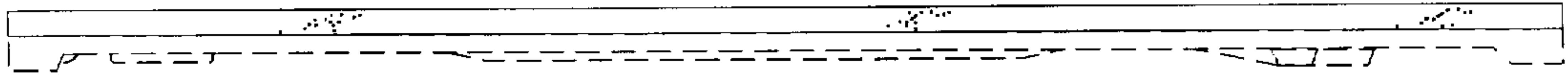


FIG. 9

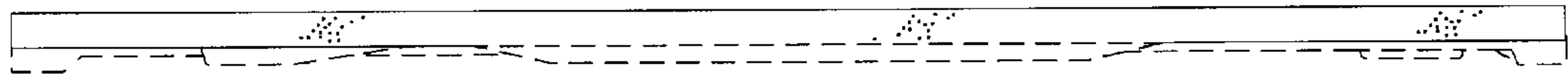


FIG. 10