



US00D411315S

# United States Patent [19]

[11] **Patent Number: Des. 411,315**

**Bott**

[45] **Date of Patent: \*\* Jun. 22, 1999**

[54] **STACKABLE, MORTARLESS LANDSCAPE EDGING BLOCK HAVING A REAR WING ELEMENT**

4,909,010 3/1990 Gravier .  
5,484,236 1/1996 Gravier .  
5,540,525 7/1996 Miller et al. .... 405/284  
5,623,797 4/1997 Gravier et al. .

[75] Inventor: **Tim Allen Bott**, Sunfish Lake, Minn.

*Primary Examiner*—Louis S. Zarfes  
*Assistant Examiner*—Robert Delehanty  
*Attorney, Agent, or Firm*—Haugen Law Firm PLLP

[73] Assignee: **Allan Block Corporation**, Edina, Minn.

[\*\*] Term: **14 Years**

[57] **CLAIM**

[21] Appl. No.: **29/084,591**

The ornamental design for the “stackable, mortarless landscape edging block having a rear wing element”, as shown and described.

[22] Filed: **Mar. 5, 1998**

**DESCRIPTION**

[51] **LOC (6) Cl.** ..... **25-01**

[52] **U.S. Cl.** ..... **D25/113**

[58] **Field of Search** ..... D25/113–114,  
D25/118; D21/484, 486, 499–502, 504;  
52/596, 604–605, 608–610; 404/19, 33–42;  
405/284–286

FIG. 1 is a perspective view of the stackable, mortarless landscape edging block having a rear wing element design; FIG. 2 is a front elevational view of the design; FIG. 3 is a rear elevational view of the design; FIG. 4 is a side view of the design taken from the left side of the embodiment of FIG. 1; FIG. 5 is a side view of the design taken from the right side of the embodiment of FIG. 1; FIG. 6 is a top plan view of the design; and, FIG. 7 is a bottom plan view of the design.

[56] **References Cited**

**U.S. PATENT DOCUMENTS**

D. 321,060 10/1991 Blomquist et al. .... D25/113  
D. 380,560 7/1997 Forsberg ..... D25/113  
D. 381,086 7/1997 Forsberg ..... D25/113

**1 Claim, 2 Drawing Sheets**

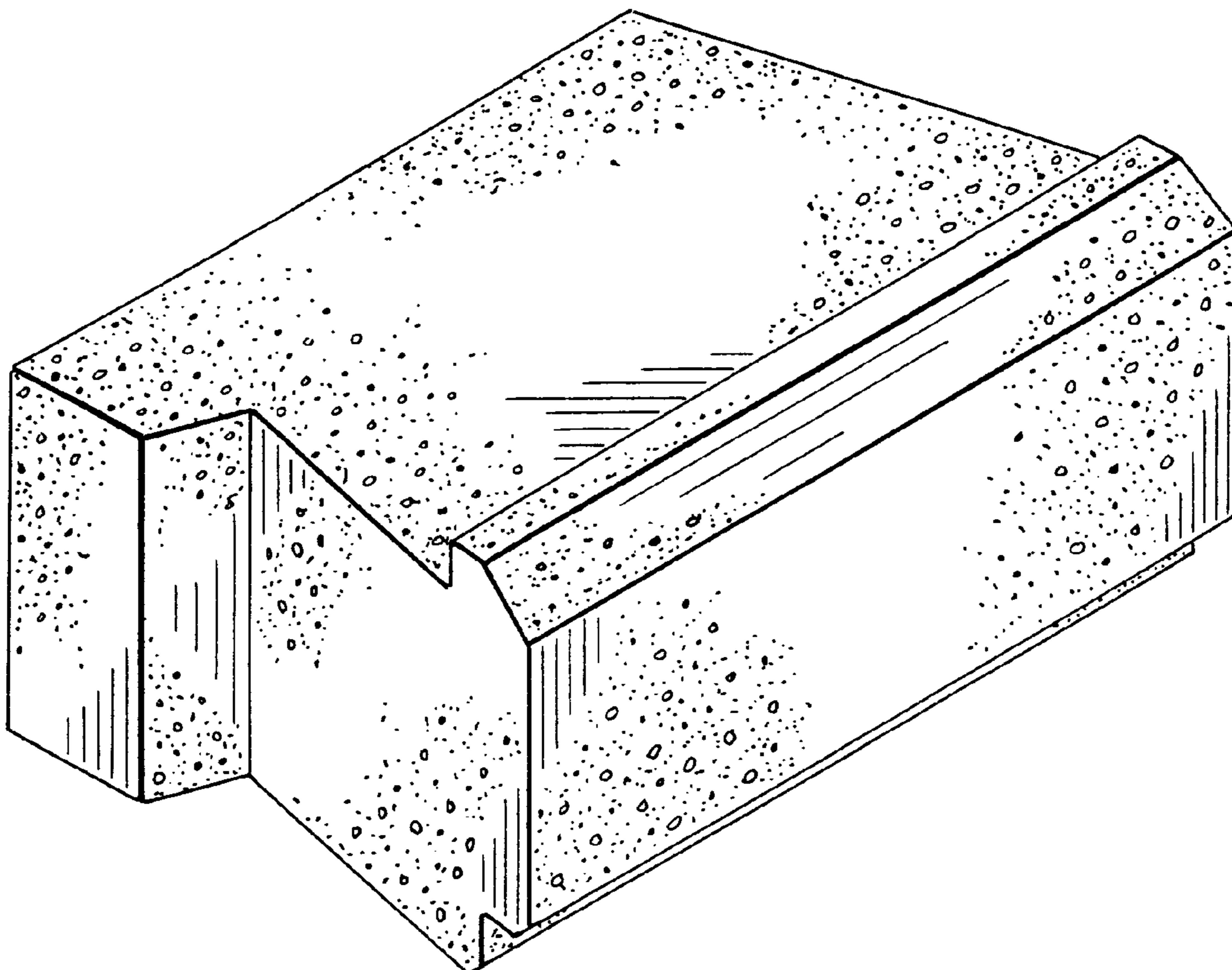


Fig.-1

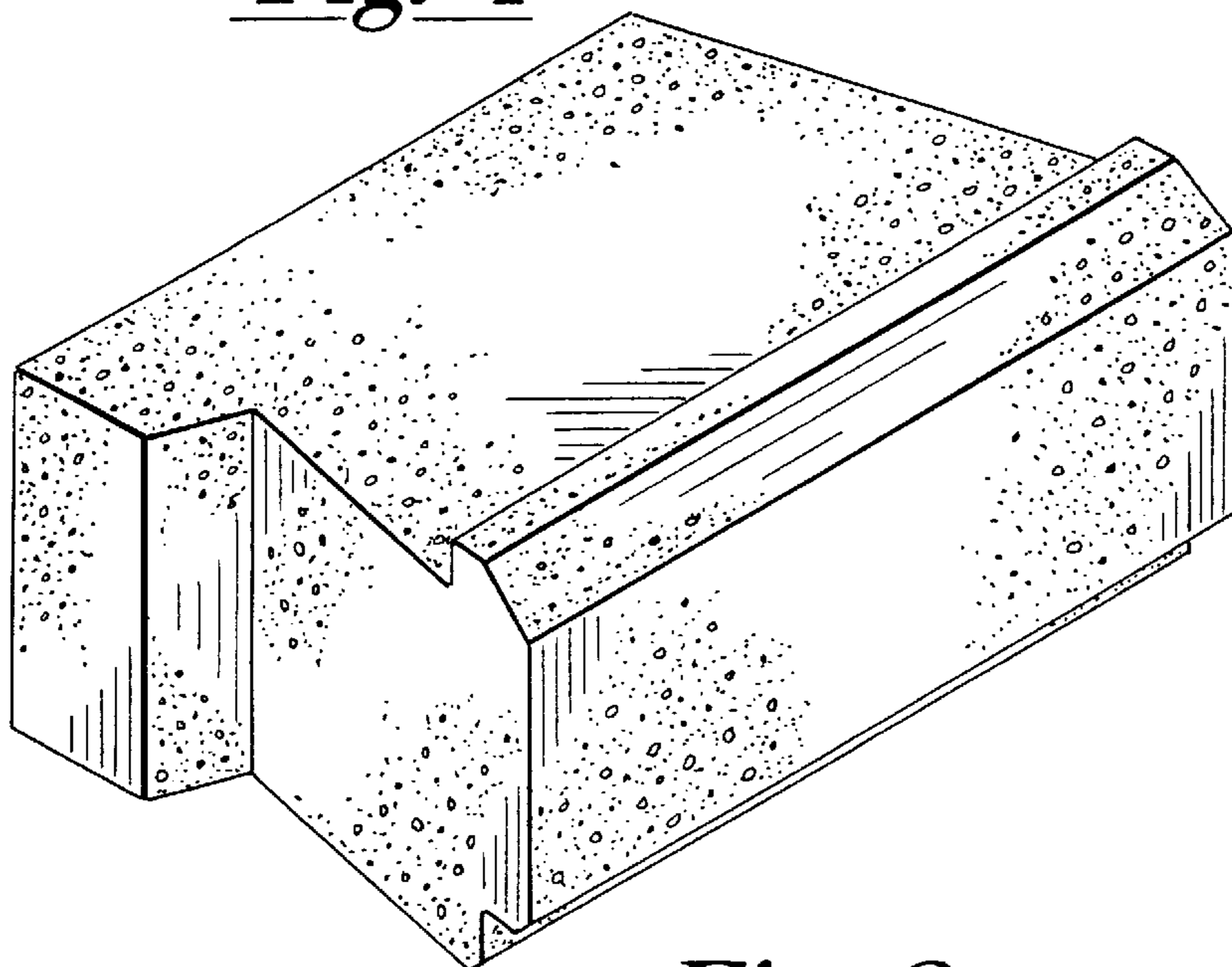


Fig.-2

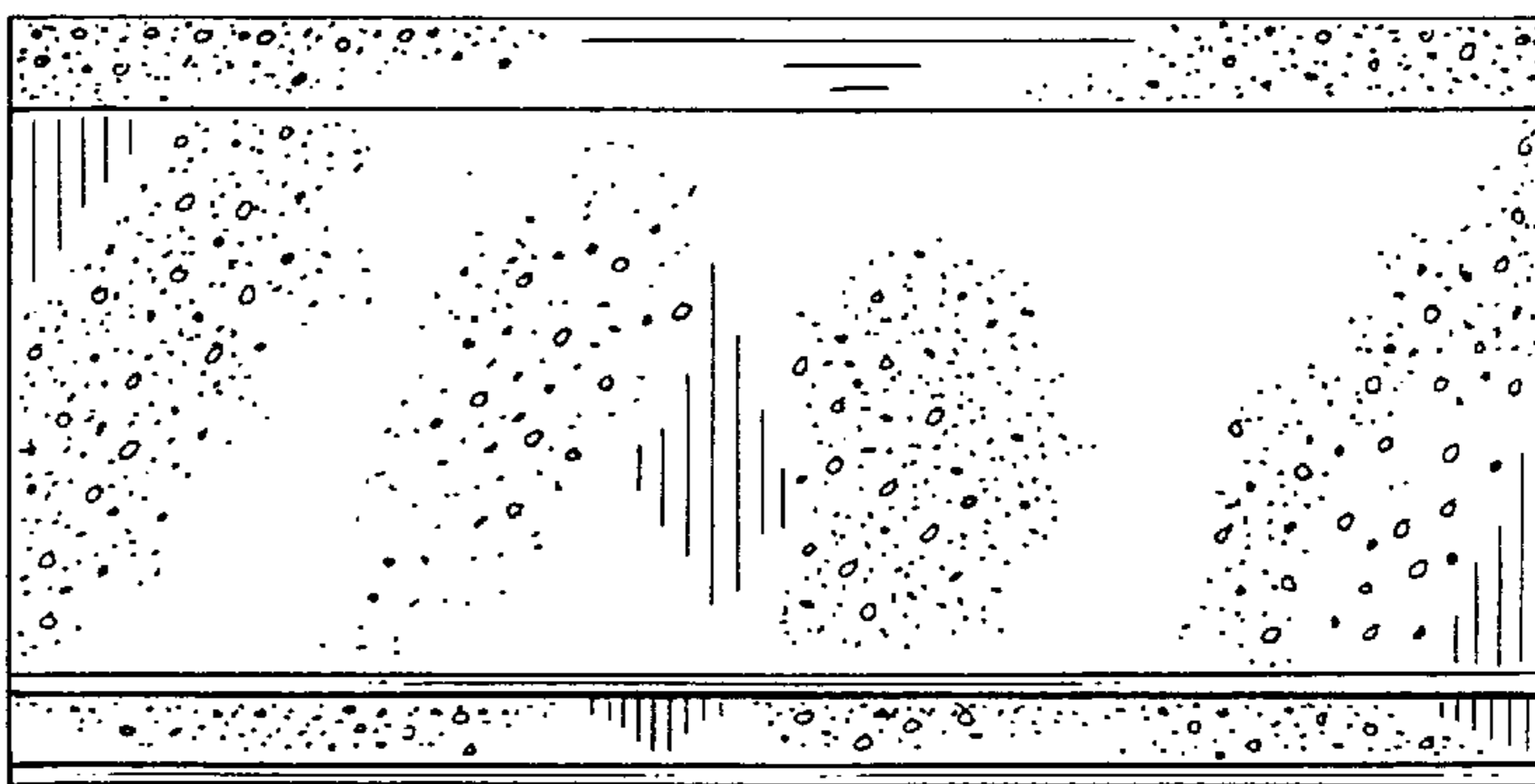


Fig.-3

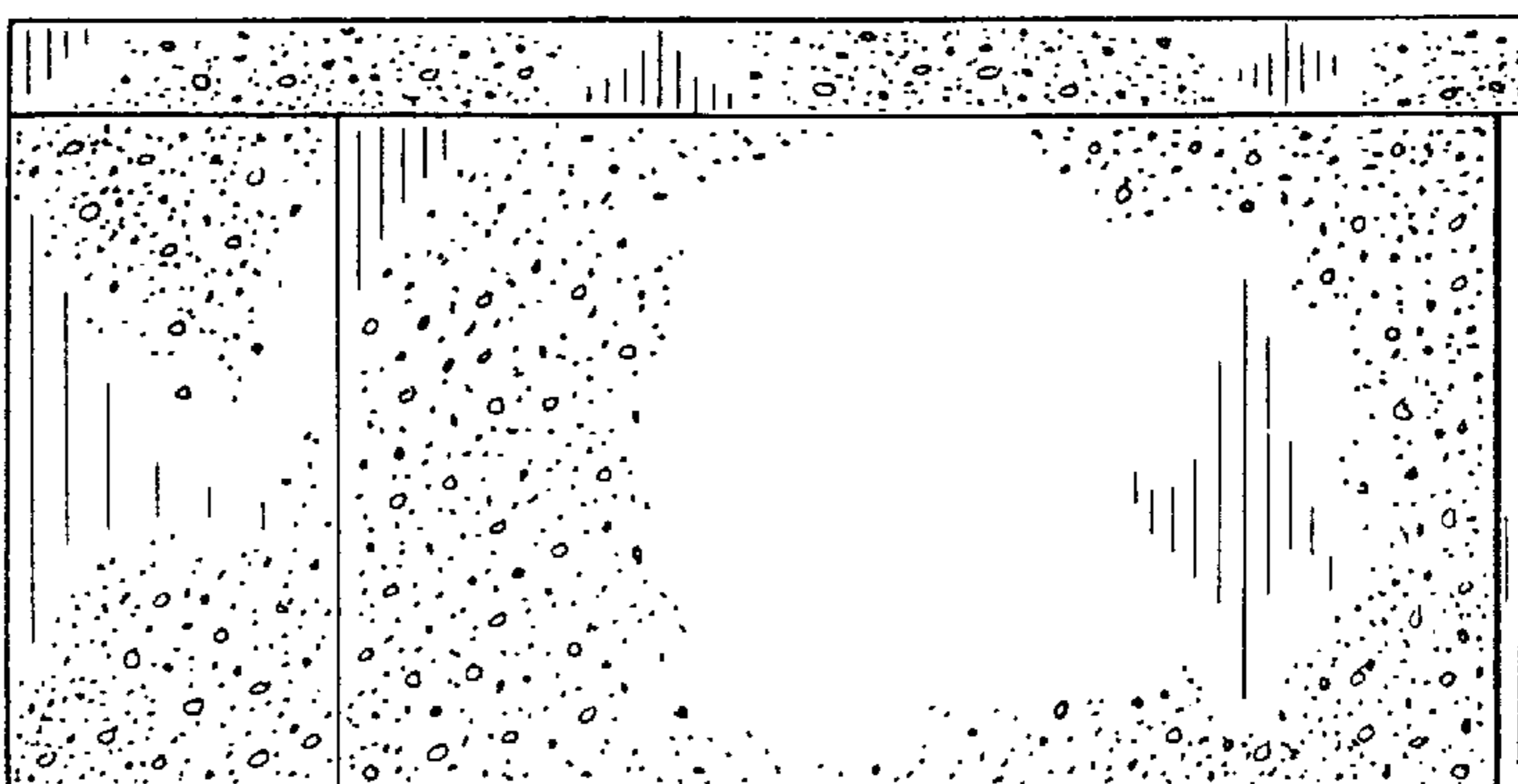


Fig.-4

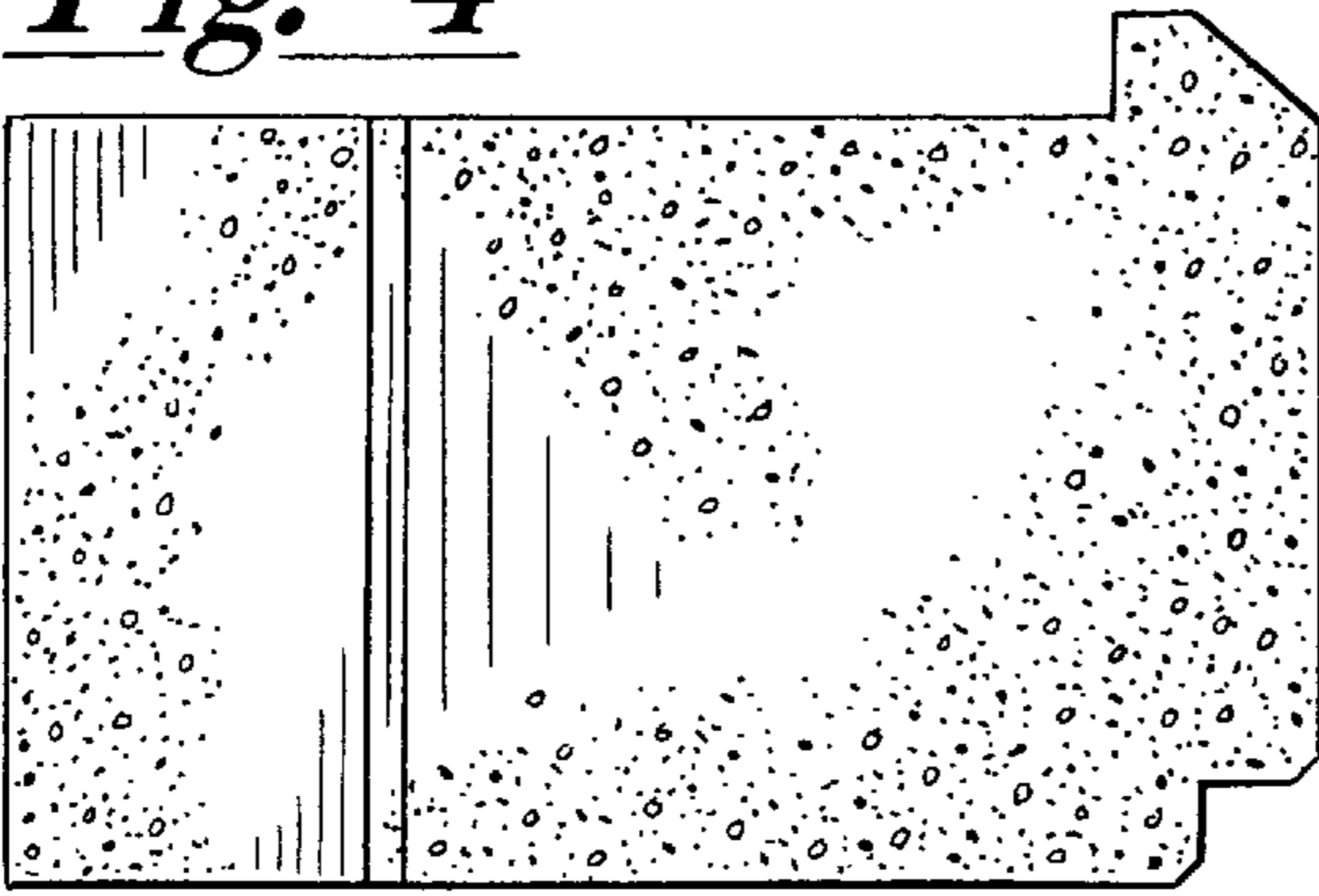


Fig.-5

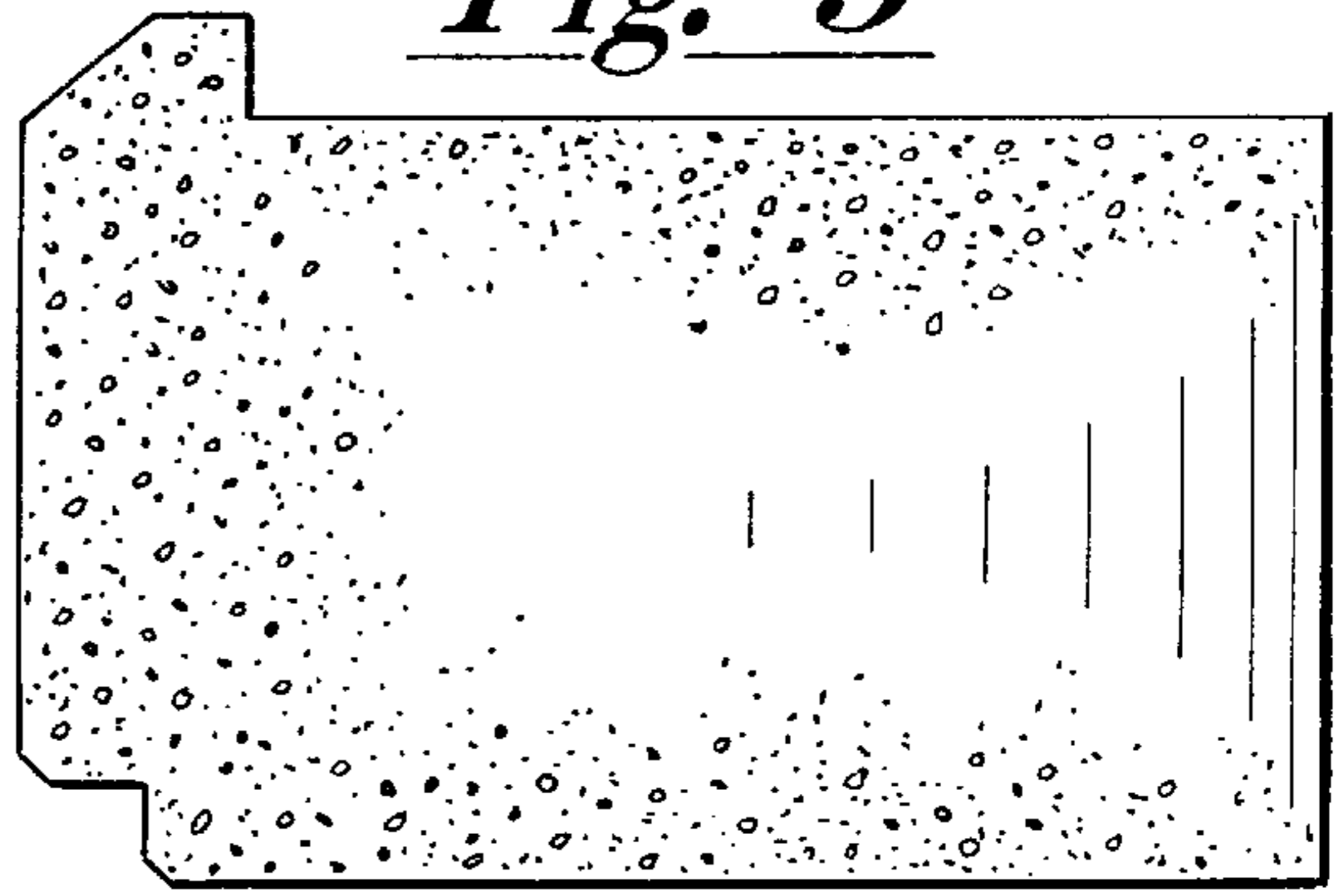


Fig.-6

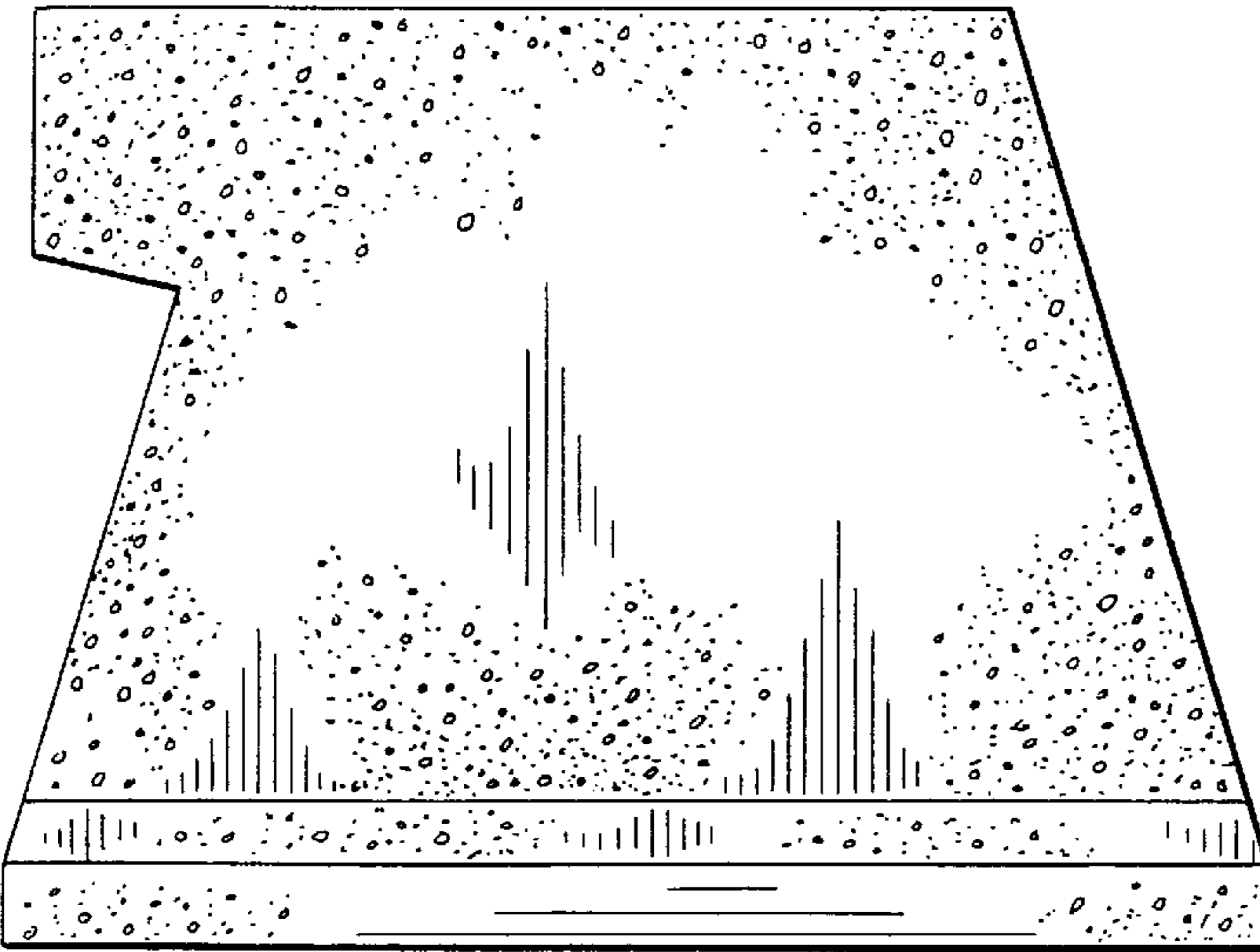


Fig.-7

