



US00D411308S

United States Patent [19]

[11] Patent Number: Des. 411,308

Pandey et al.

[45] Date of Patent: ** *Jun. 22, 1999

[54] COVERED MULTI-WELL ASSAY PLATE

[75] Inventors: Ramesh C. Pandey, Highland Park; Swami Nathan, Piscataway, both of N.J.

[73] Assignee: Xechem International, Inc., New Brunswick, N.J.

[*] Notice: This patent is subject to a terminal disclaimer.

[**] Term: 14 Years

[21] Appl. No.: 29/051,311

[22] Filed: Nov. 28, 1995

Related U.S. Application Data

[63] Continuation-in-part of application No. 29/019,859, Mar. 14, 1994, abandoned.

[51] LOC (6) Cl. 24-02

[52] U.S. Cl. D24/230; D24/229; D24/227; D24/216

[58] Field of Search D24/230, 229, D24/227, 224, 226, 216, 217; 435/288.2, 288.4, 297.5, 305.1, 305.2, 305.3, 305.4; 422/102, 104, 101, 99; 436/809

[56] References Cited

U.S. PATENT DOCUMENTS

- D. 223,874 6/1972 Ellis D24/217 X
- D. 264,810 6/1982 Voltmann D24/226 X
- D. 324,271 2/1992 Frenkel et al. D24/226

- D. 338,965 8/1993 Olanz et al. D24/226
- 3,725,004 4/1973 Johnson et al. 436/809 X
- 4,038,149 7/1977 Liner et al. 422/102 X
- 4,863,689 9/1989 Leong et al. 422/102 X
- 5,358,871 10/1994 Stevens et al. 422/102

OTHER PUBLICATIONS

VWR Scientific Catalog, ©1989, Six Well, Flat Bottom Assay Plates, Falcon, item #62406-161, DP. 1619, 1989. The Lab Book Catalog, ©1983, Cell Wells pp. 226 & 227. 1983.

Primary Examiner—Louis S. Zarfes
Assistant Examiner—Greg Andoll
Attorney, Agent, or Firm—Banner & Witcoff, Ltd.

[57] CLAIM

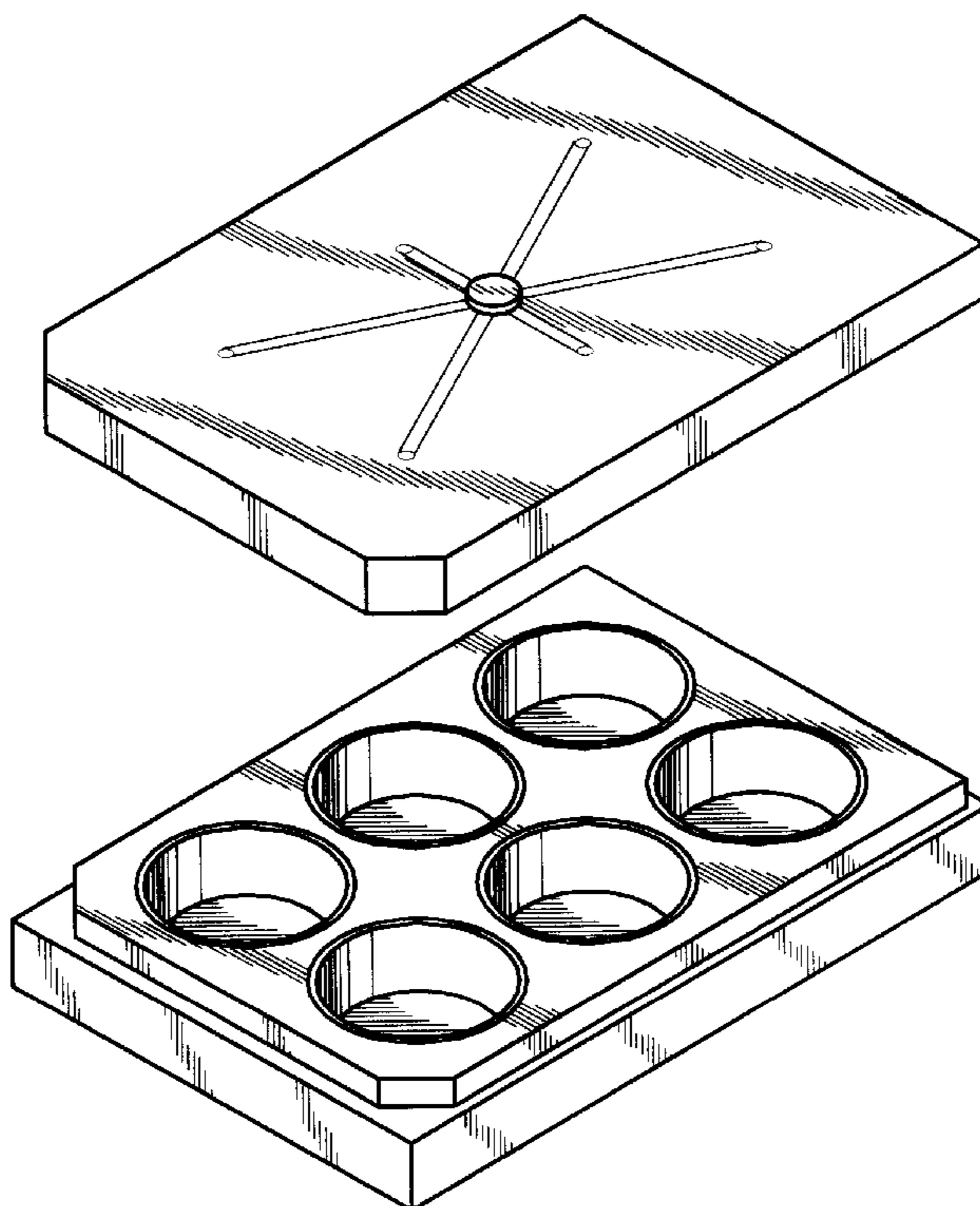
The ornamental design for a covered multi-well assay plate, as described and shown.

DESCRIPTION

FIG. 1 is a perspective view of a covered multi-well assay plate, showing our new design, with the plug removed; FIG. 2 is an exploded perspective view thereof; FIG. 3 is a top plan view thereof; FIG. 4 is a side elevational view thereof; FIG. 5 is a side elevational view thereof, opposite that shown in FIG. 4; FIG. 6 is a bottom plan view thereof; FIG. 7 is a front elevational view thereof; and, FIG. 8 is a rear elevational view thereof.

The bottom of the lid, not shown, forms no part of the claimed design.

1 Claim, 2 Drawing Sheets



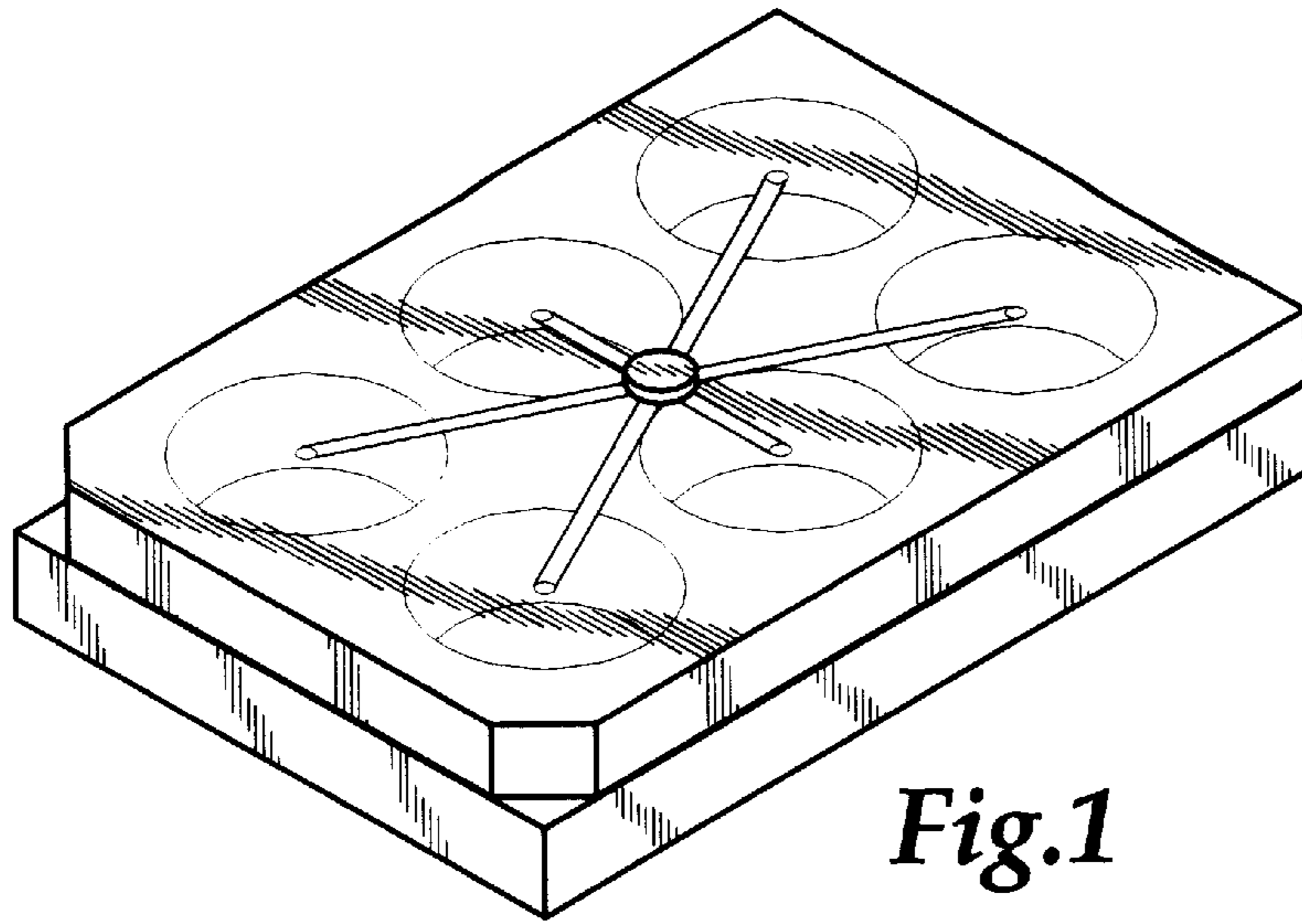


Fig.1

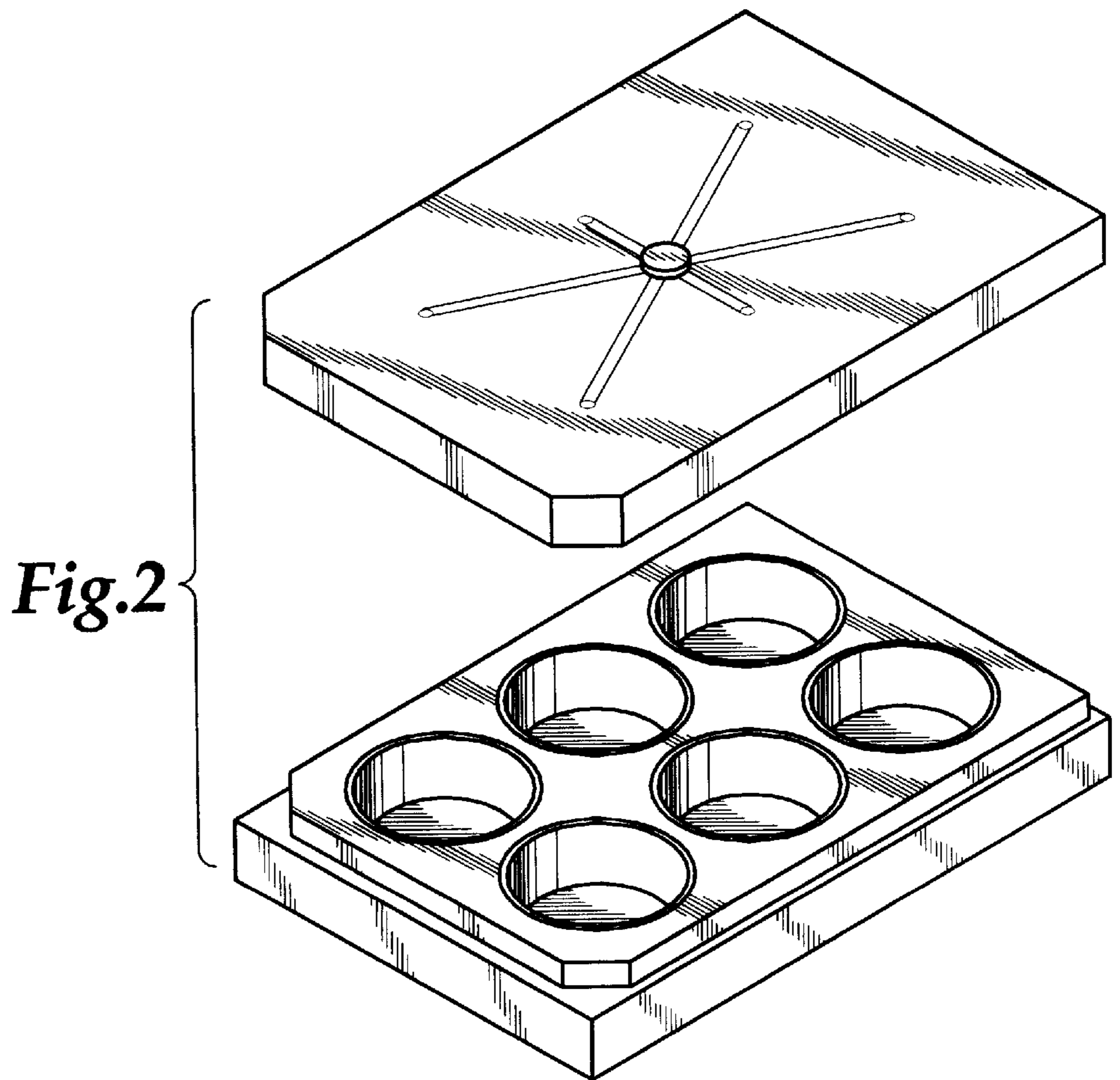


Fig.2

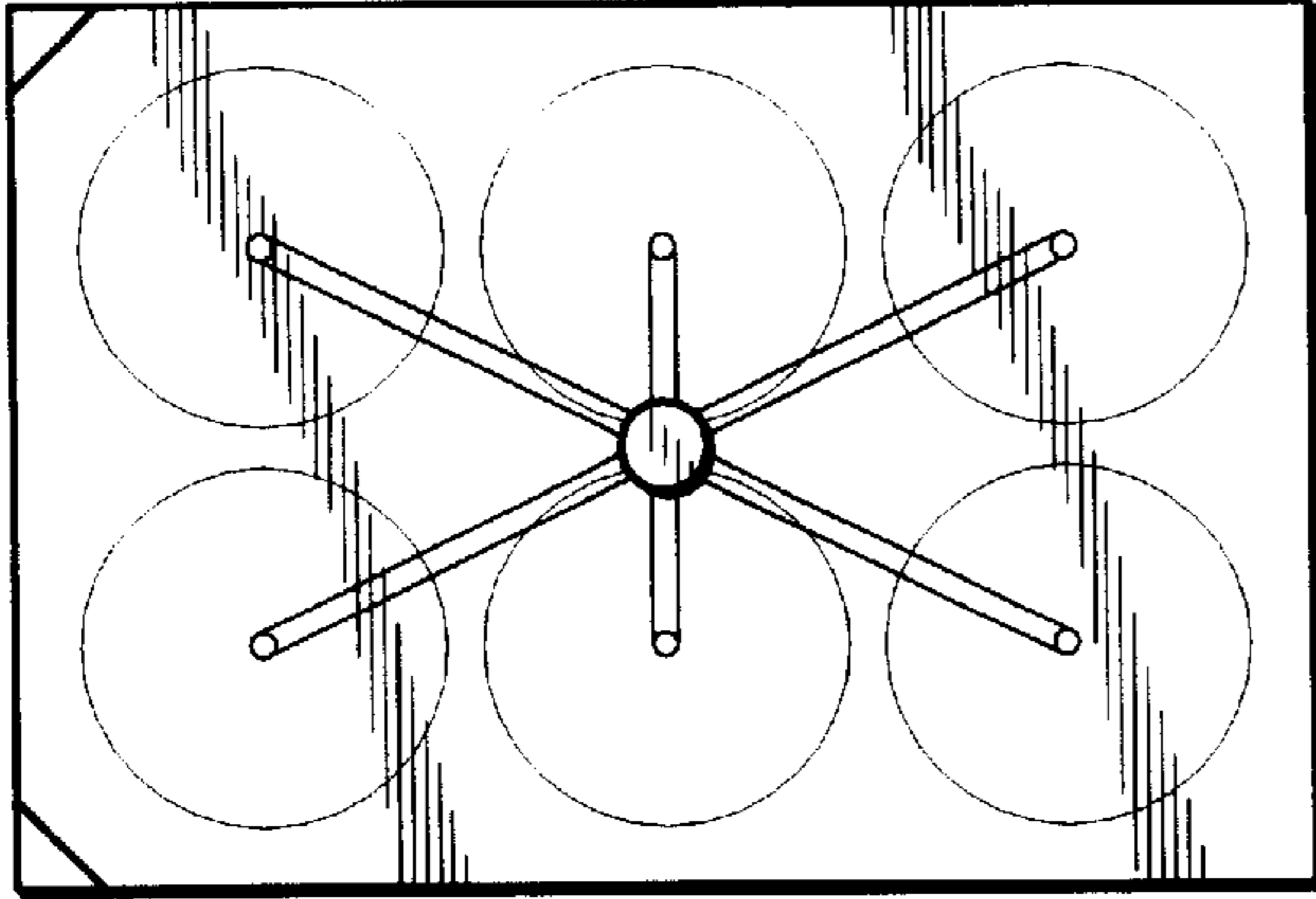


Fig.3

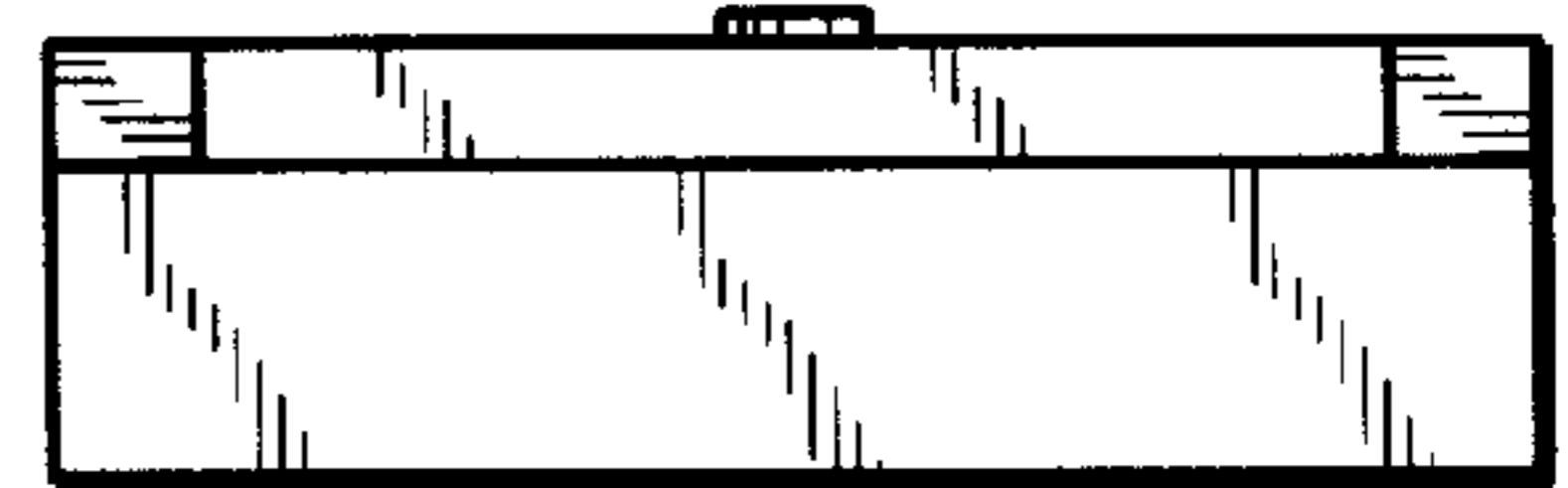


Fig.4

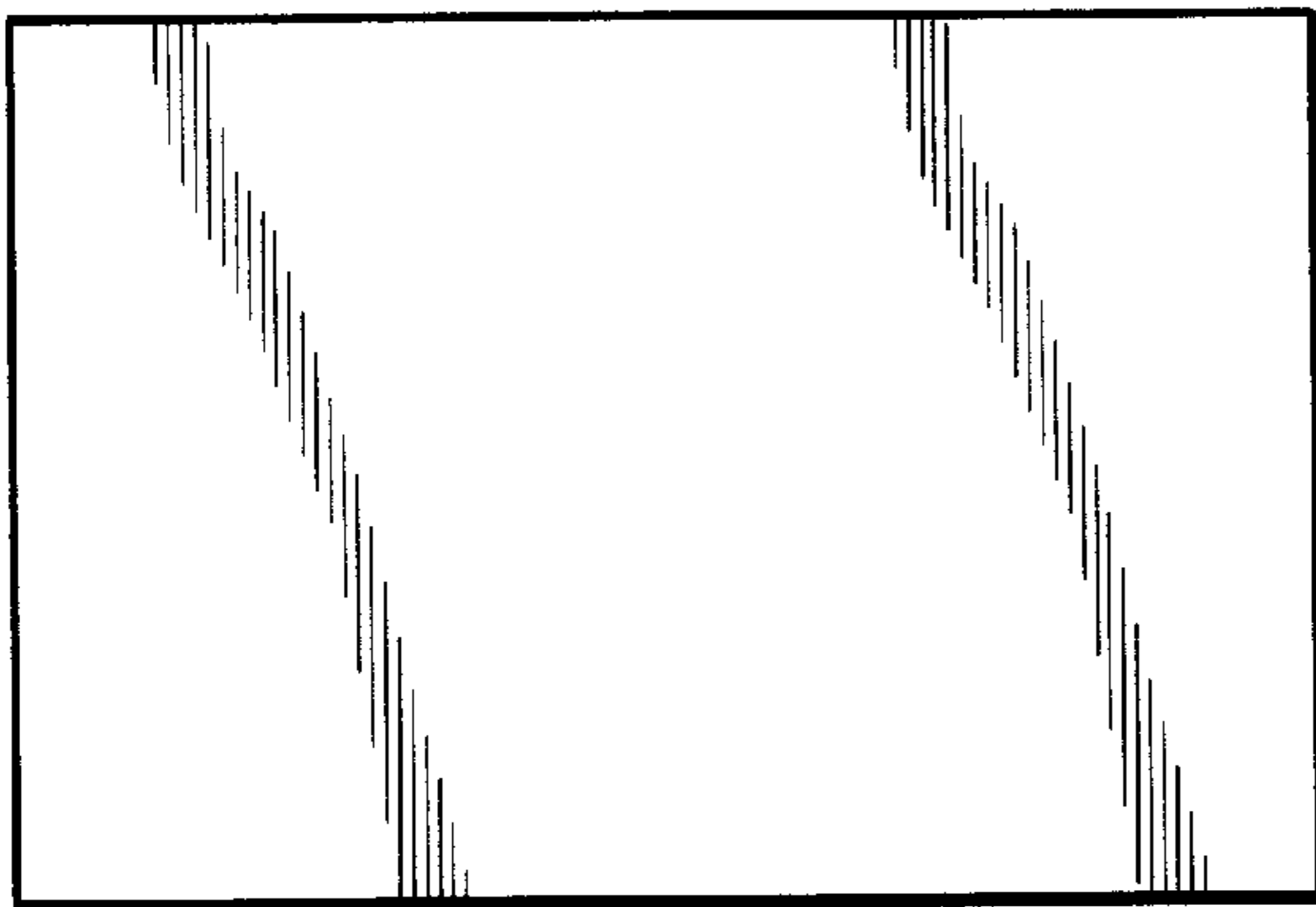


Fig.6

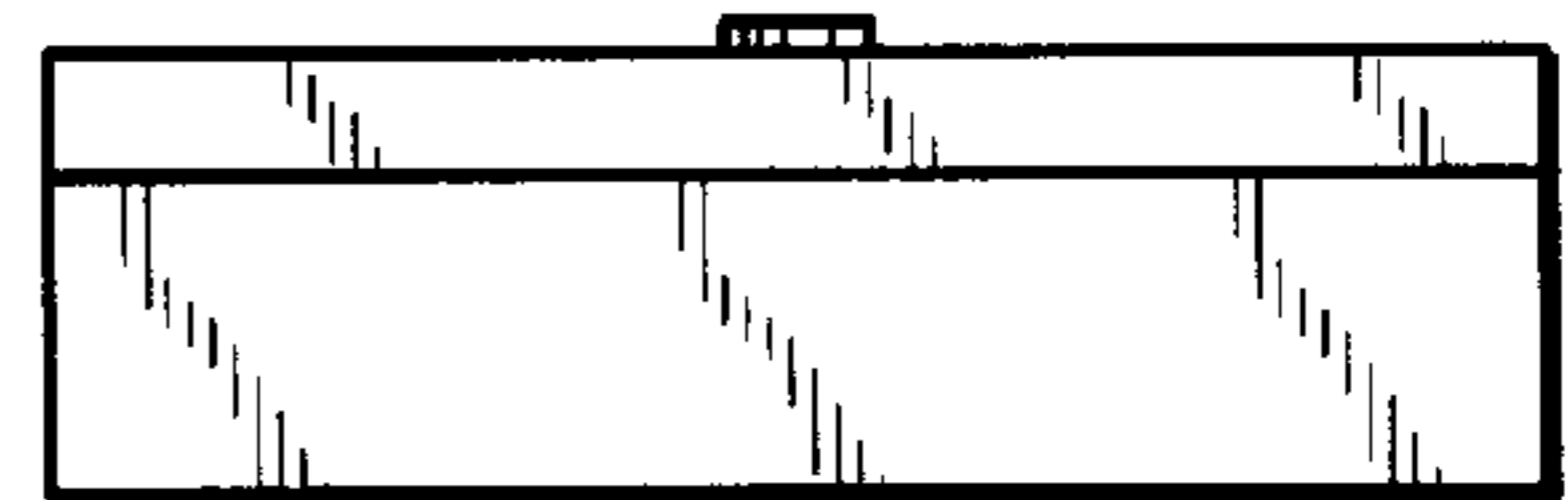


Fig.5

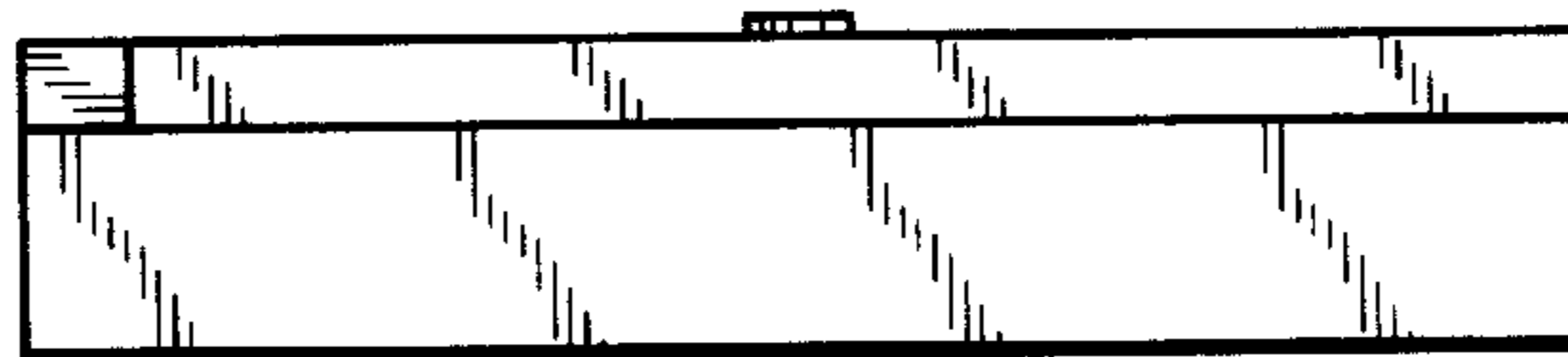


Fig.7

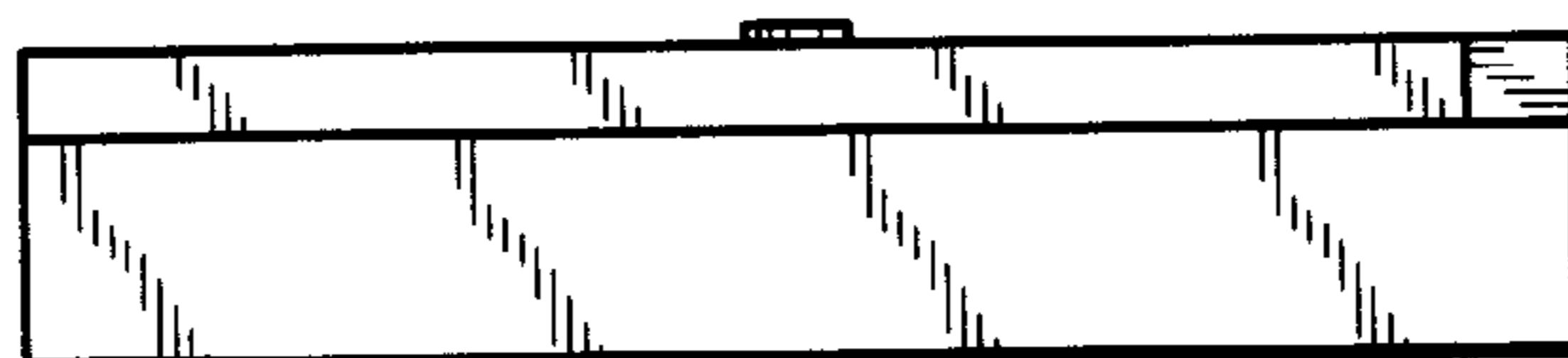


Fig.8