



US00D411307S

United States Patent [19] Oakes

[11] **Patent Number: Des. 411,307**
[45] **Date of Patent: ** Jun. 22, 1999**

[54] **DILUENT PACKAGE CONTAINER**

5,529,931 6/1996 Narayan 435/288.1
5,763,264 6/1998 Alspector 435/288.1
5,854,076 12/1998 Kundu et al. 422/101

[75] Inventor: **Andrew A. Oakes**, Harrington Park, N.J.

[73] Assignee: **Bayer Corporation**, Tarrytown, N.Y.

[**] Term: **14 Years**

Primary Examiner—Stella Reid
Assistant Examiner—G. Andoll
Attorney, Agent, or Firm—Andrew L. Klawitter, Esq.;
Rodman & Rodman

[21] Appl. No.: **29/088,045**

[57] **CLAIM**

[22] Filed: **May 14, 1998**

The ornamental design for a diluent package container, as shown and described.

[51] **LOC (6) Cl.** **24-01**

DESCRIPTION

[52] **U.S. Cl.** **D24/224; D24/216**

[58] **Field of Search** D24/224, 231,
D24/216-219; 435/287.1, 299.1, 299.2,
283.1, 288.1; 422/63, 100, 101; 73/864.31,
864.12

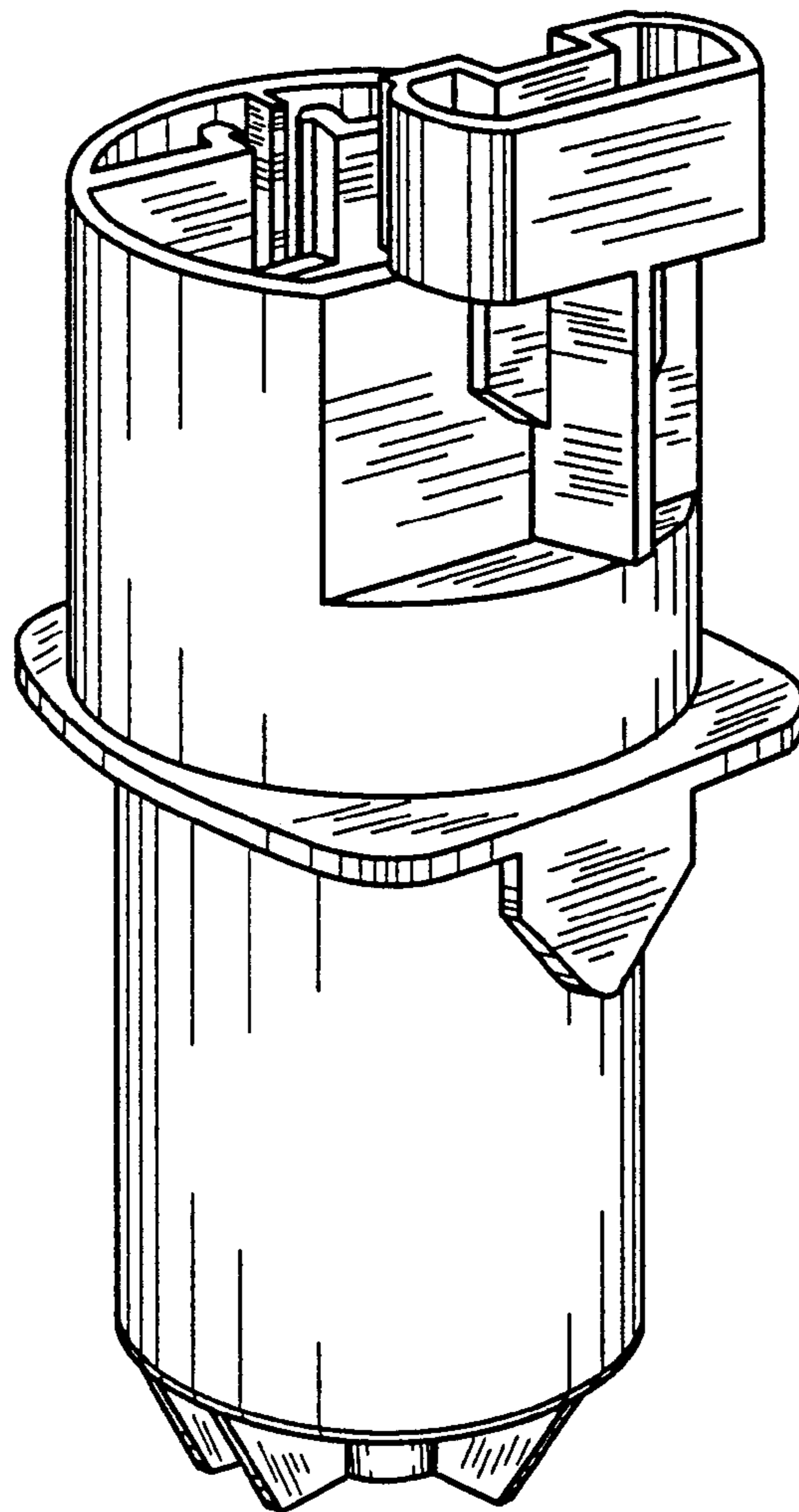
FIG. 1 is a perspective view of a diluent package container showing my new design;
FIG. 2 is a rear elevational view thereof;
FIG. 3 is a front elevational thereof;
FIG. 4 is a side elevational view thereof;
FIG. 5 is an opposite side elevational view thereof;
FIG. 6 is a top view thereof; and,
FIG. 7 is a bottom view thereof.

[56] **References Cited**

U.S. PATENT DOCUMENTS

D. 344,138 2/1994 Nagata D24/224
D. 380,555 7/1997 Kurosaki et al. D24/224

1 Claim, 4 Drawing Sheets



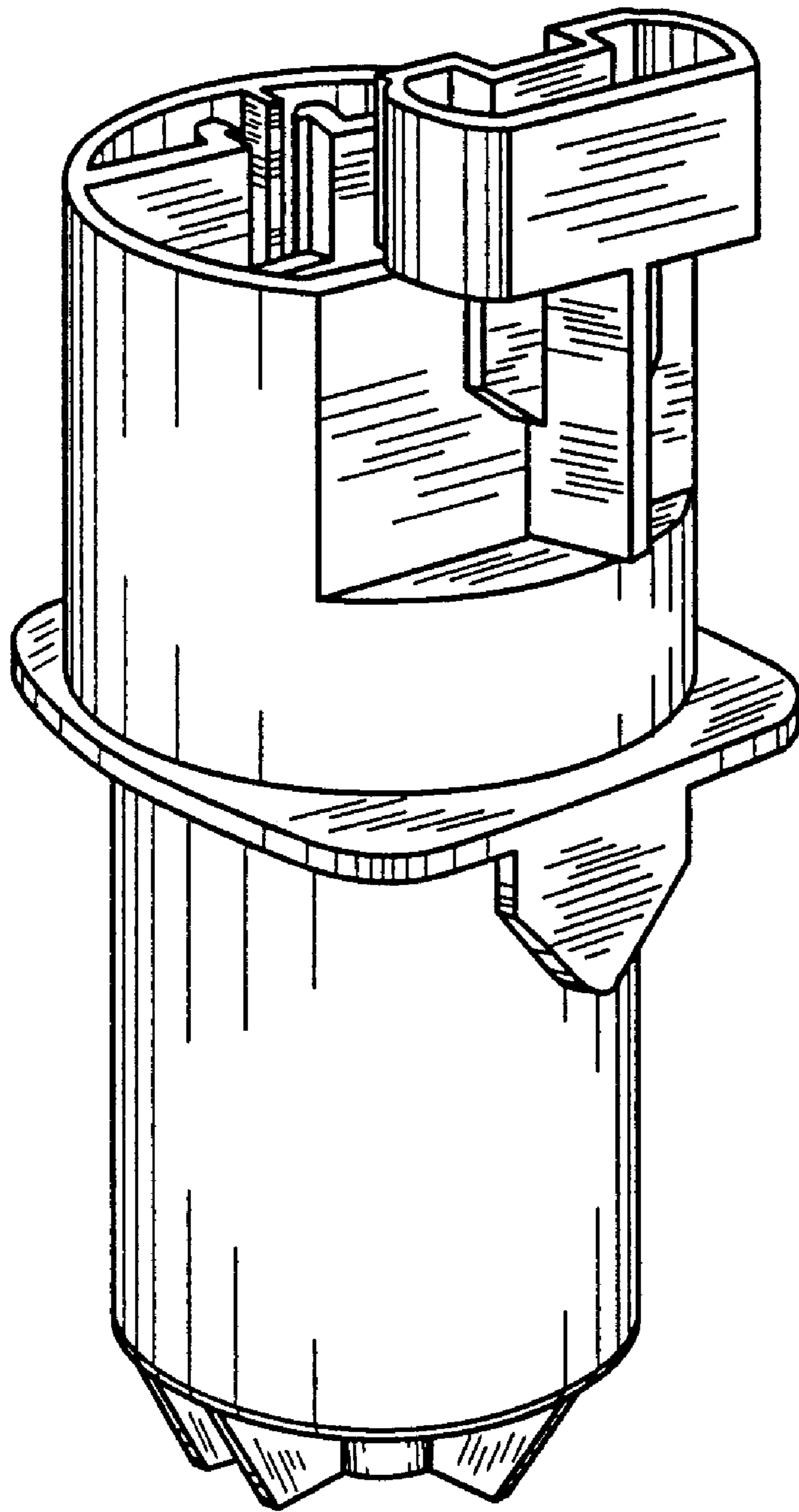


FIG. 1

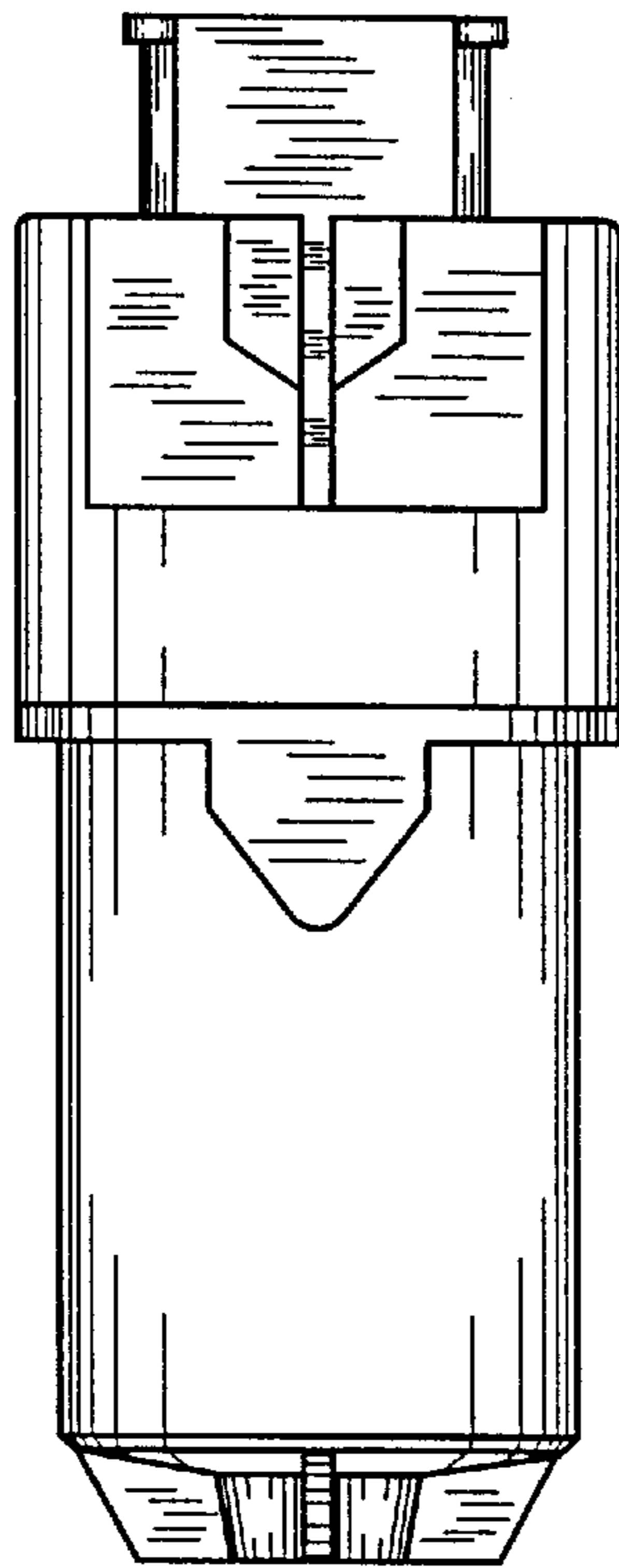


FIG. 2

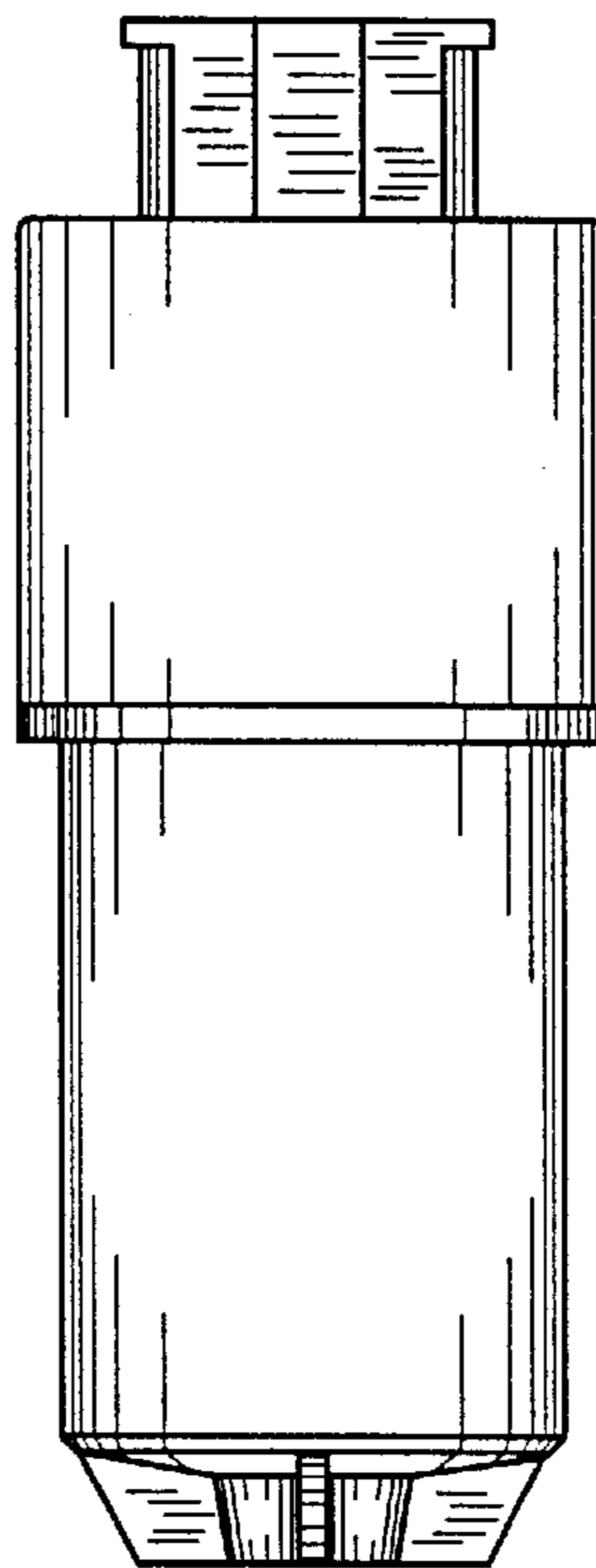


FIG. 3

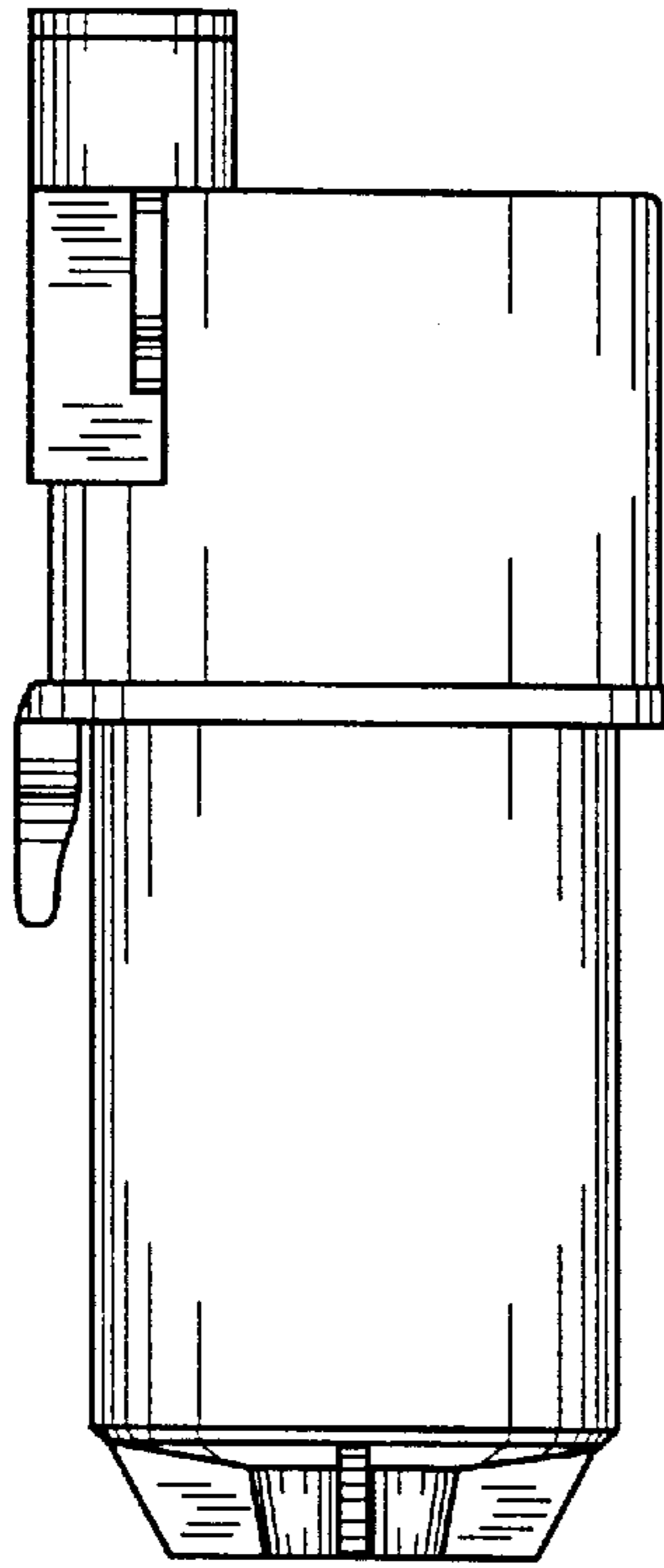


FIG. 4

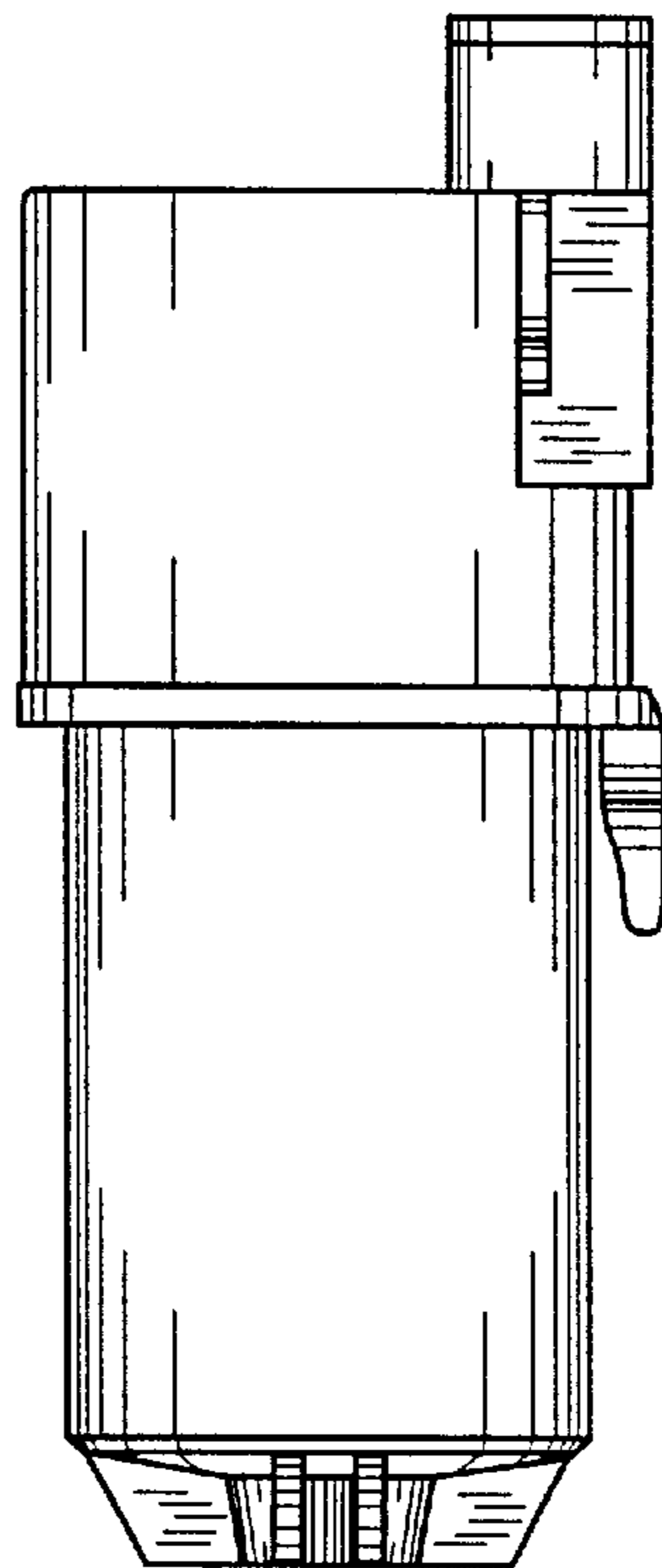


FIG. 5

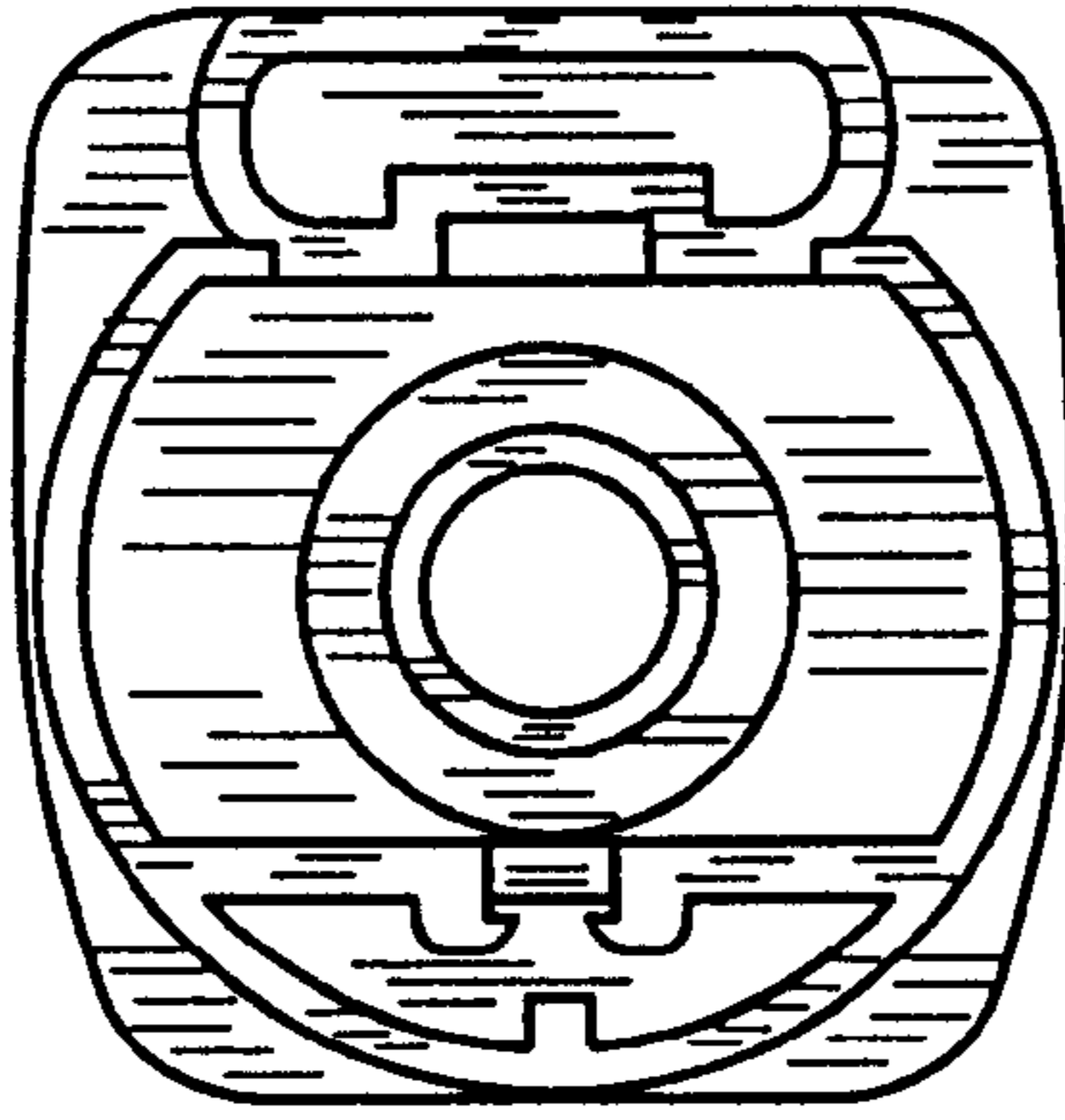


FIG. 6

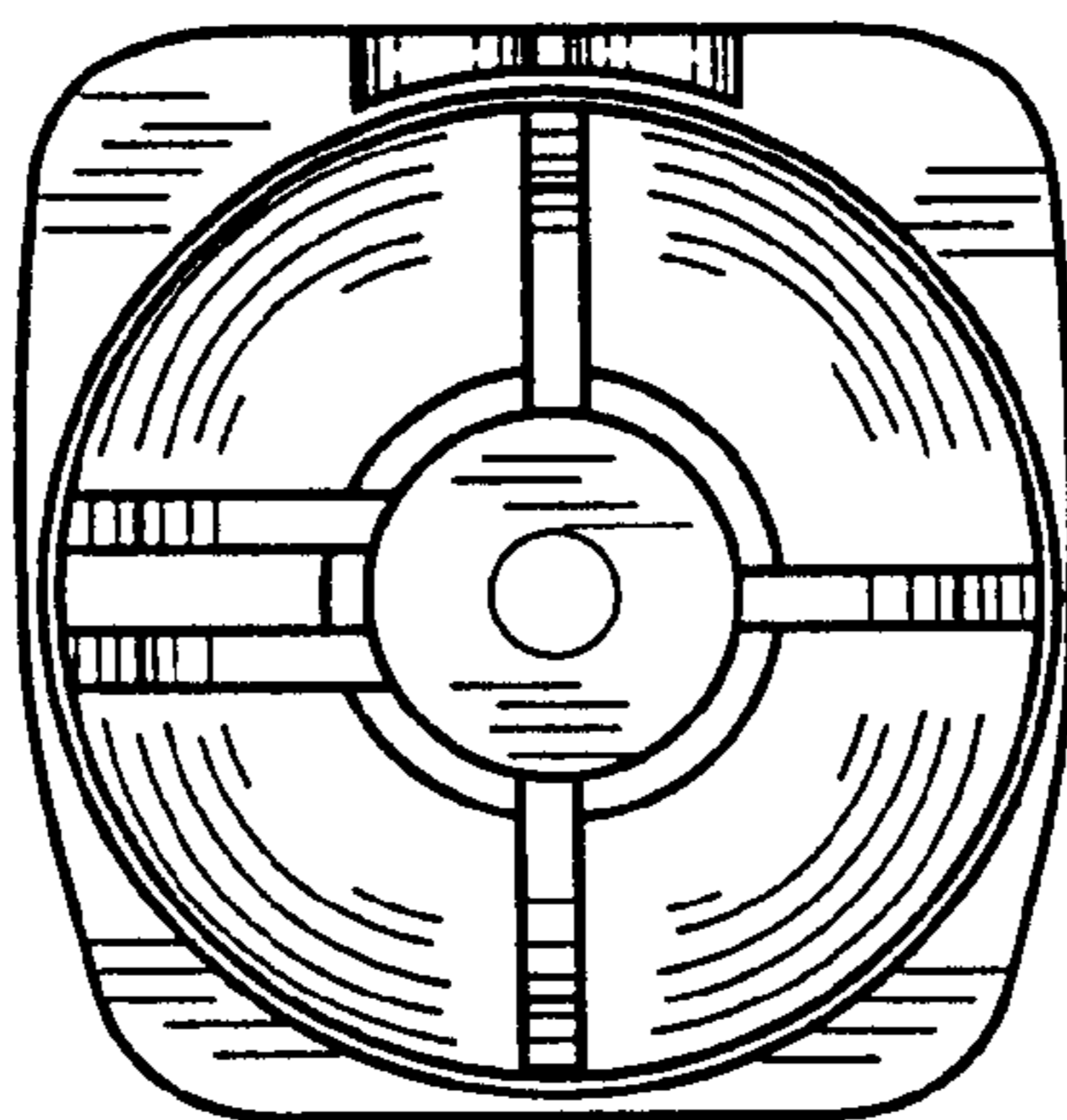


FIG. 7