



US00D411303S

United States Patent [19] Scagliotti

[11] **Patent Number: Des. 411,303**

[45] **Date of Patent: ** Jun. 22, 1999**

[54] **VIBRATING TEETHING RING**

[76] Inventor: **Livio A. Scagliotti**, 6180 St. Albans St.,
Los Angeles, Calif. 90042

[**] Term: **14 Years**

[21] Appl. No.: **29/094,892**

[22] Filed: **Oct. 13, 1998**

[51] **LOC (6) Cl. 24-04**

[52] **U.S. Cl. D24/194**

[58] **Field of Search D24/193, 194;**
606/234, 235, 236

3,753,266	8/1973	Ceniceros	606/235 X
5,511,273	4/1996	Carroll	606/235 X
5,551,952	9/1996	Falgout	601/139
5,649,964	7/1997	Berman et al.	606/235
5,683,421	11/1997	Guarini, Jr. et al.	606/235

Primary Examiner—Stella Reid
Attorney, Agent, or Firm—Goldstein & Canino

[57] CLAIM

The ornamental design for a vibrating teething ring, as shown and described.

DESCRIPTION

FIG. 1 is a perspective view of a vibrating teething ring, showing my new design;

FIG. 2 is a top plan view thereof, the bottom plan view being a mirror image of the top plan view; and,

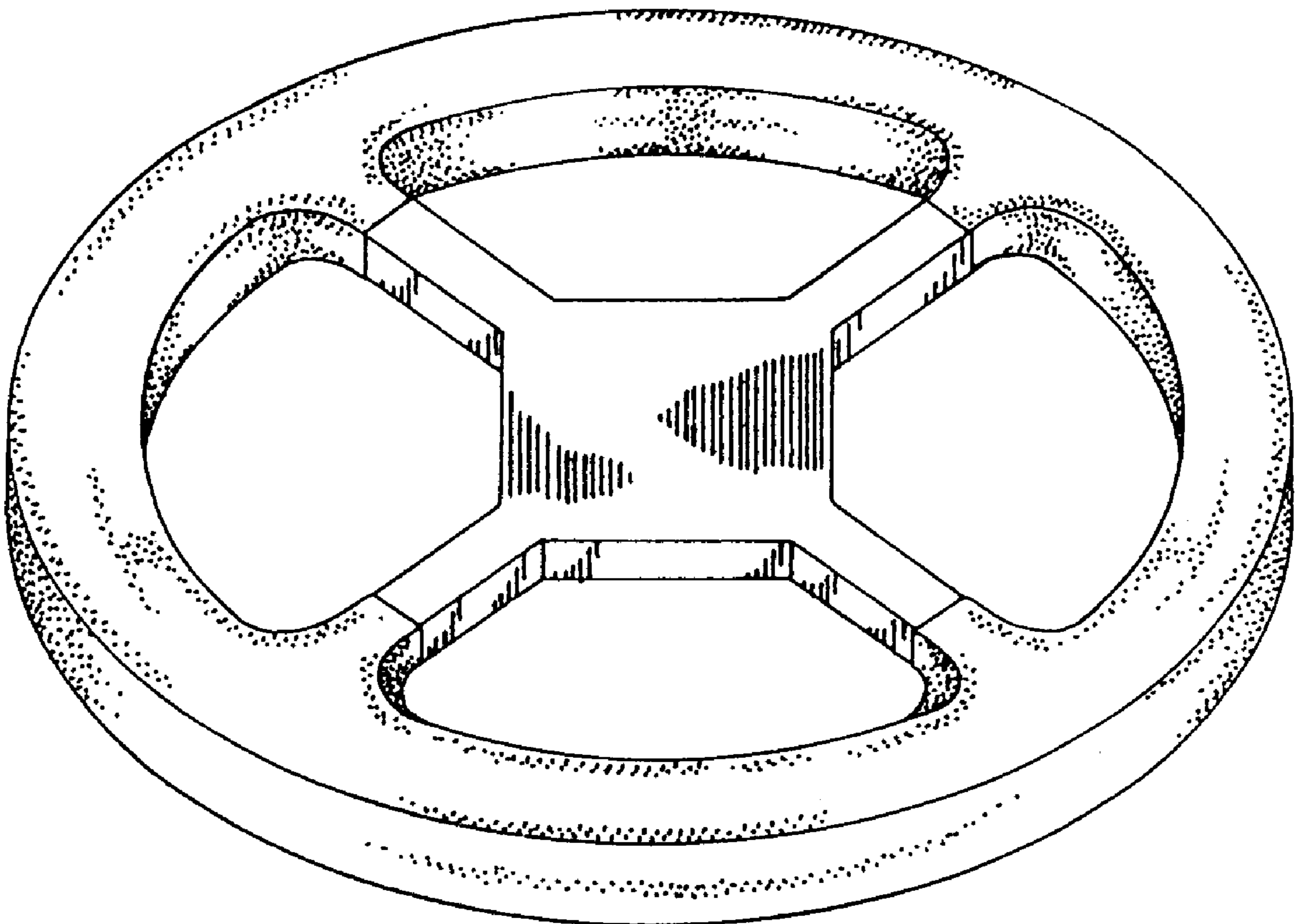
FIG. 3 is a front elevational view of the vibrating teething ring, the rear, left side, and right side elevational views being mirror images of the front elevational view.

[56] References Cited

U.S. PATENT DOCUMENTS

D. 047,419	6/1915	Golden	D24/194
D. 139,389	11/1944	Kasen	D24/194
D. 155,689	10/1949	Davis	D24/194
D. 221,496	8/1971	Herbst	D24/194
D. 306,074	2/1990	Klitsner	D24/197
D. 365,151	12/1995	Coppels et al.	D24/194

1 Claim, 1 Drawing Sheet



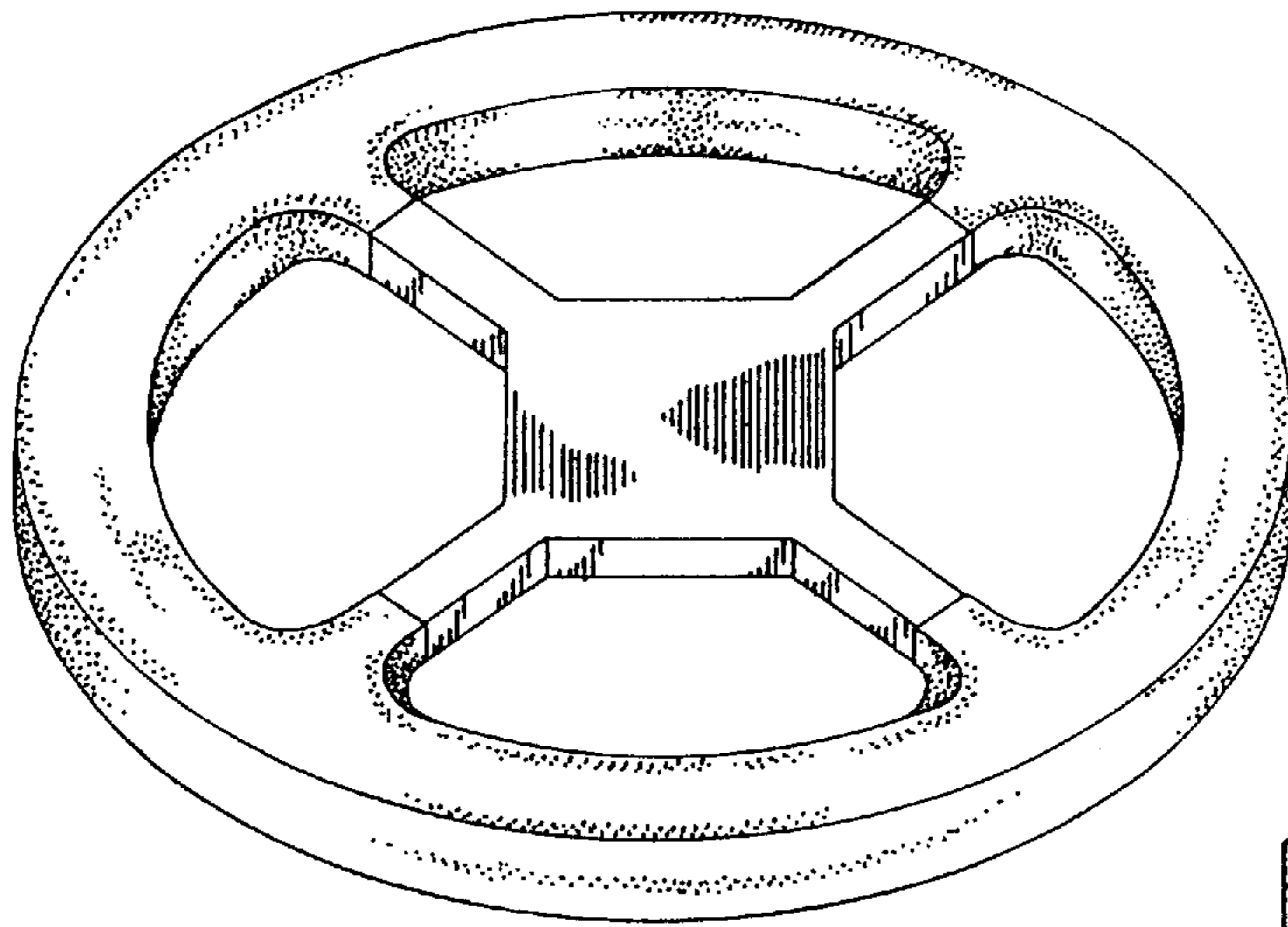


FIG. 1

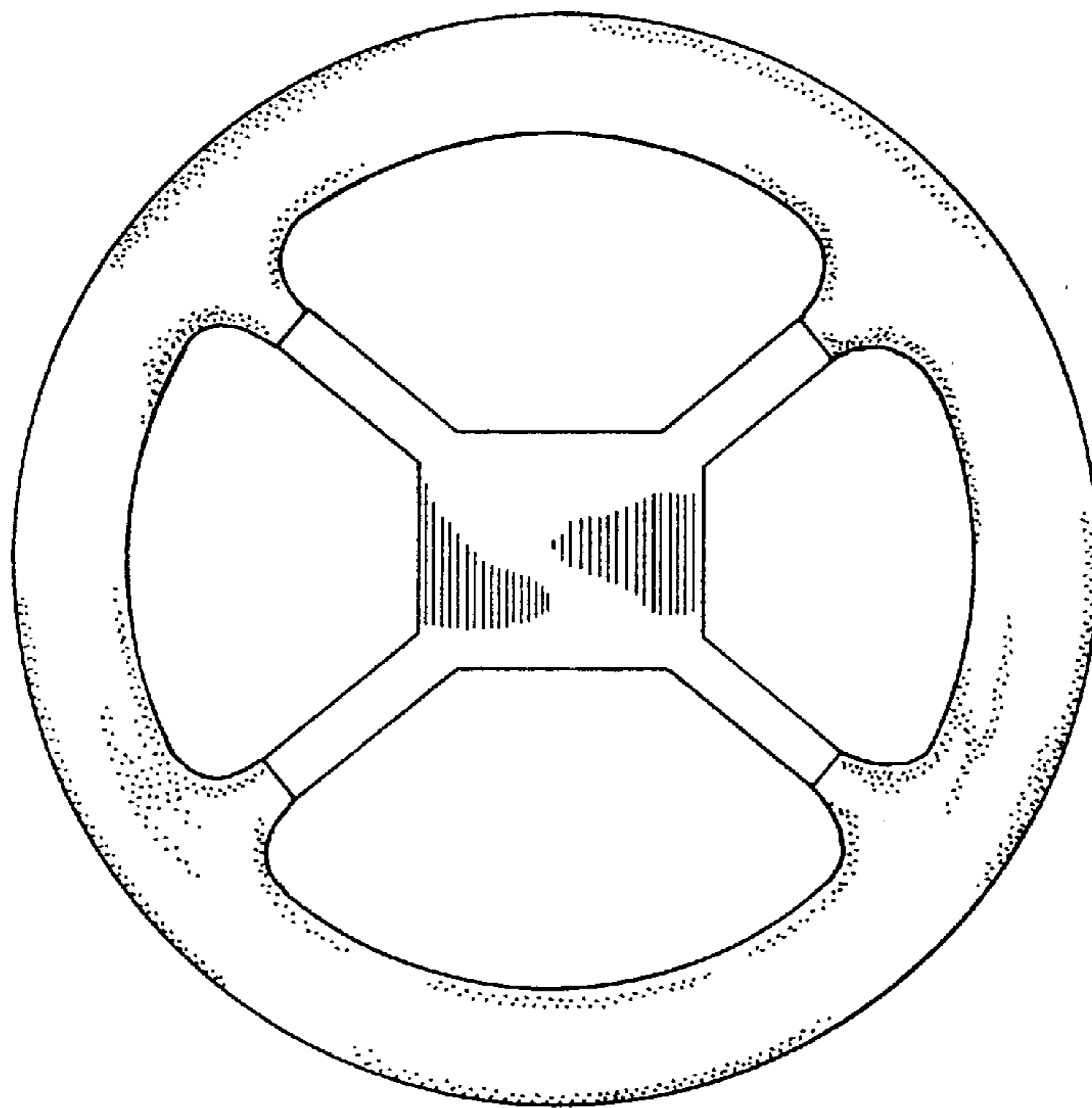


FIG. 2

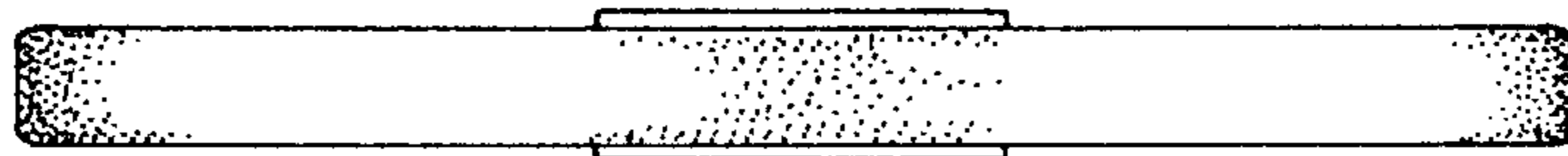


FIG. 3