



US00D411302S

# United States Patent [19] Rowell

[11] **Patent Number: Des. 411,302**

[45] **Date of Patent: \*\* Jun. 22, 1999**

[54] **DROP FOOT BRACE**

5,259,834 11/1993 Wittmeyer ..... 602/26  
5,603,692 2/1997 Maxwell ..... 602/28

[76] Inventor: **Don W Rowell**, 1552 Pleasant Crest  
La., La Habra, Calif. 90631

*Primary Examiner*—Stella Reid

[\*\*] Term: **14 Years**

[57] **CLAIM**

The ornamental design for a drop foot brace, as shown.

[21] Appl. No.: **29/091,441**

### DESCRIPTION

[22] Filed: **Jul. 30, 1998**

[51] **LOC (6) Cl. .... 24-04**

FIG. 1 is a front elevational view of the drop foot brace of the present invention;

[52] **U.S. Cl. .... D24/192**

FIG. 2 is a back elevational view of the drop foot brace of FIG. 1;

[58] **Field of Search .... D24/190, 192;  
602/28, 23, 5, 6**

FIG. 3 is a left side elevational view of the drop foot brace of FIG. 1;

### [56] **References Cited**

#### U.S. PATENT DOCUMENTS

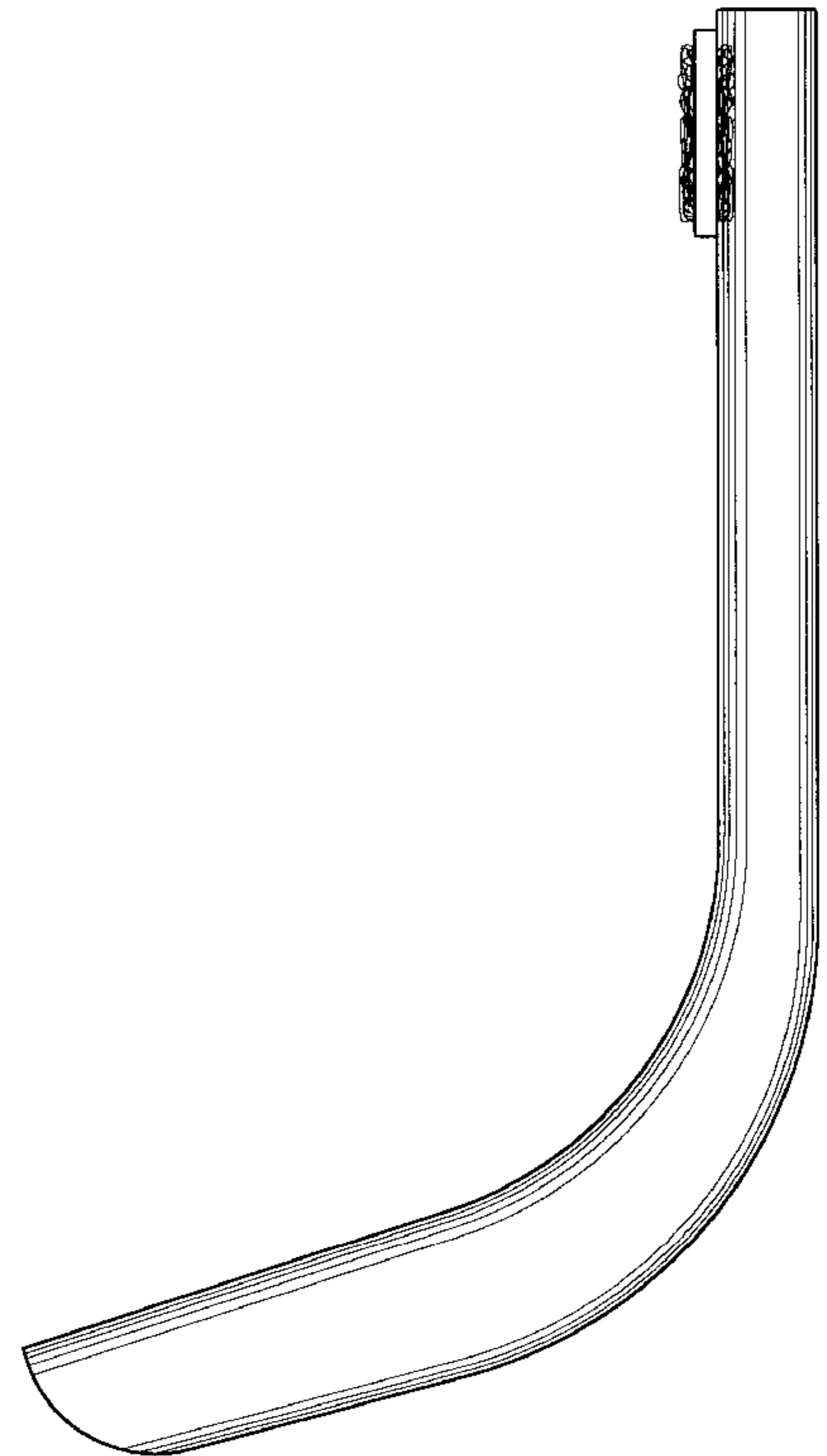
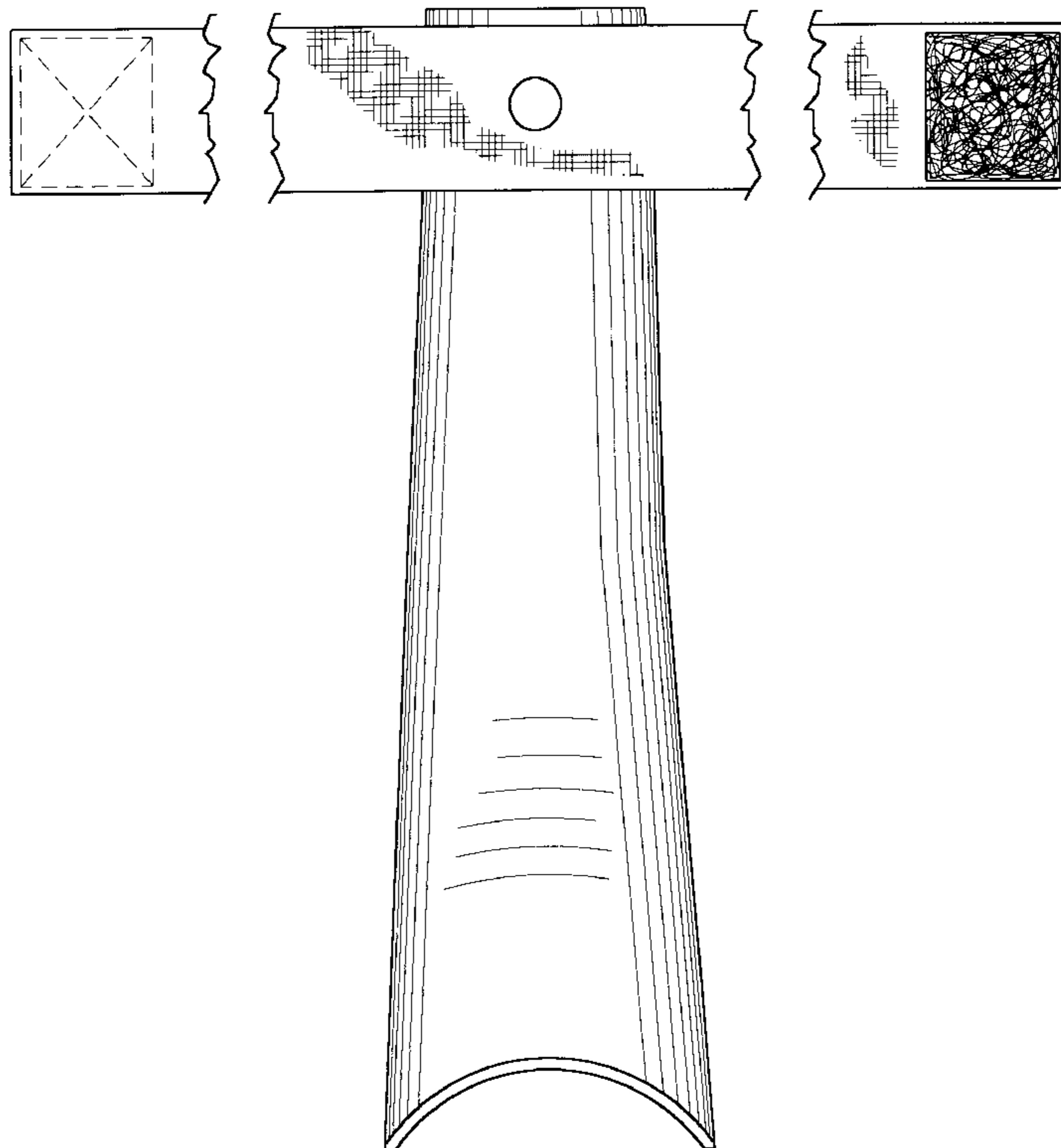
|            |         |          |       |         |
|------------|---------|----------|-------|---------|
| D. 297,368 | 8/1988  | Womack   | ..... | D24/192 |
| D. 373,194 | 8/1996  | Grifka   | ..... | D24/192 |
| D. 385,040 | 10/1997 | Keselman | ..... | D24/192 |
| 3,916,886  | 11/1975 | Rogers   | ..... | 602/28  |

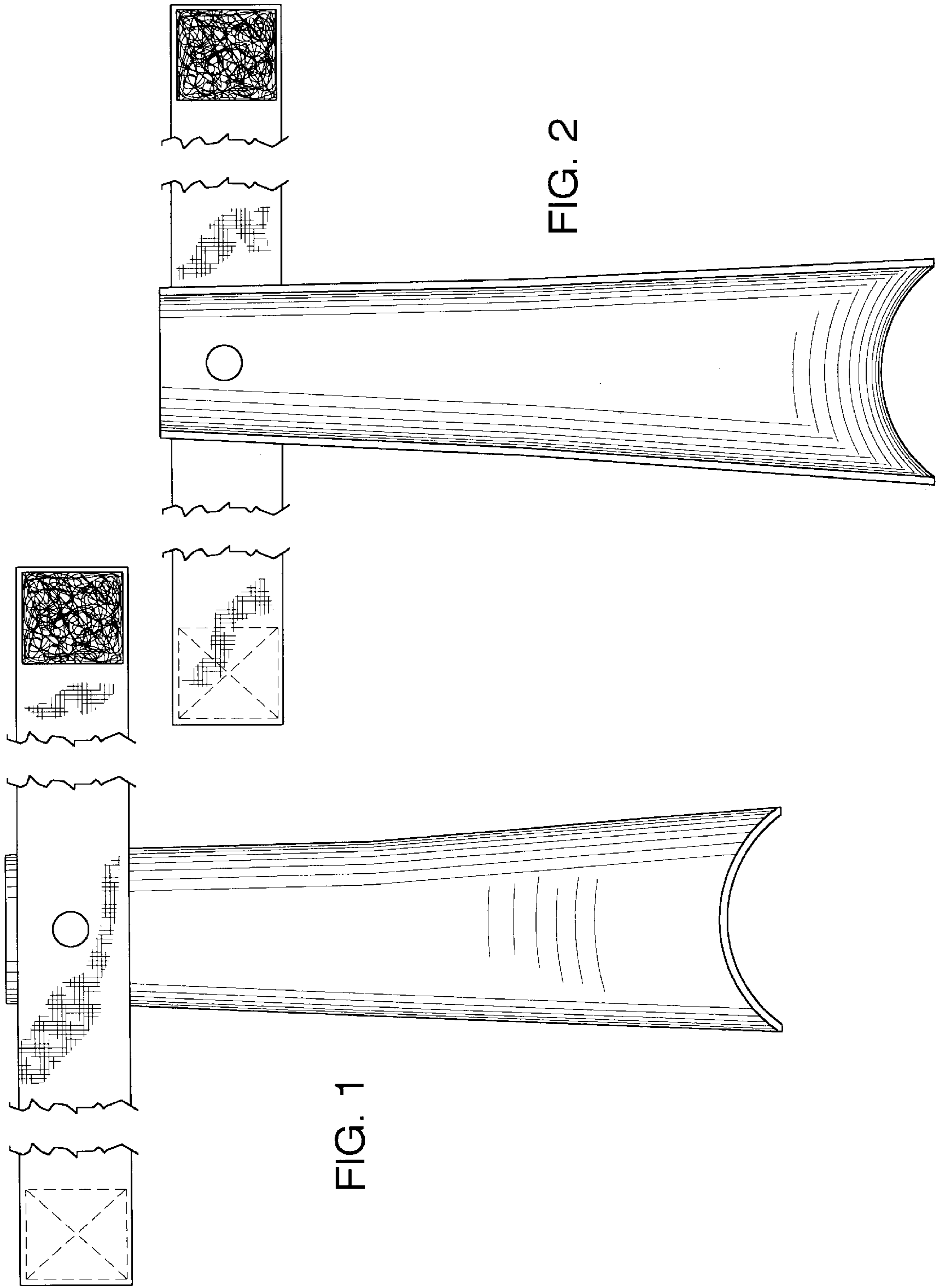
FIG. 4 is a right elevational view of the drop foot brace of FIG. 1;

FIG. 5 is a top plan view of the drop foot brace of FIG. 1; and,

FIG. 6 is bottom plan view of the drop foot brace of FIG. 1.

**1 Claim, 3 Drawing Sheets**





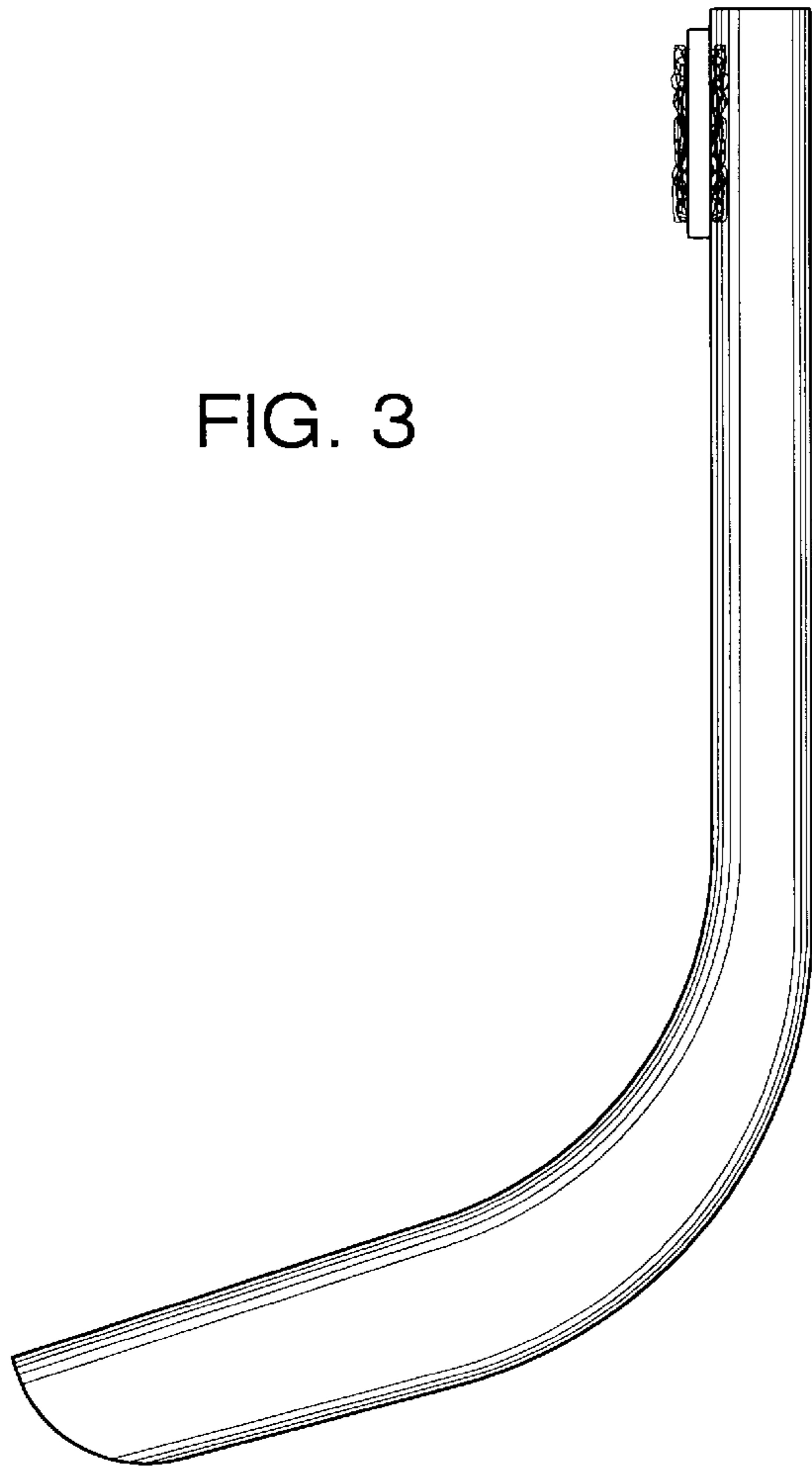


FIG. 3

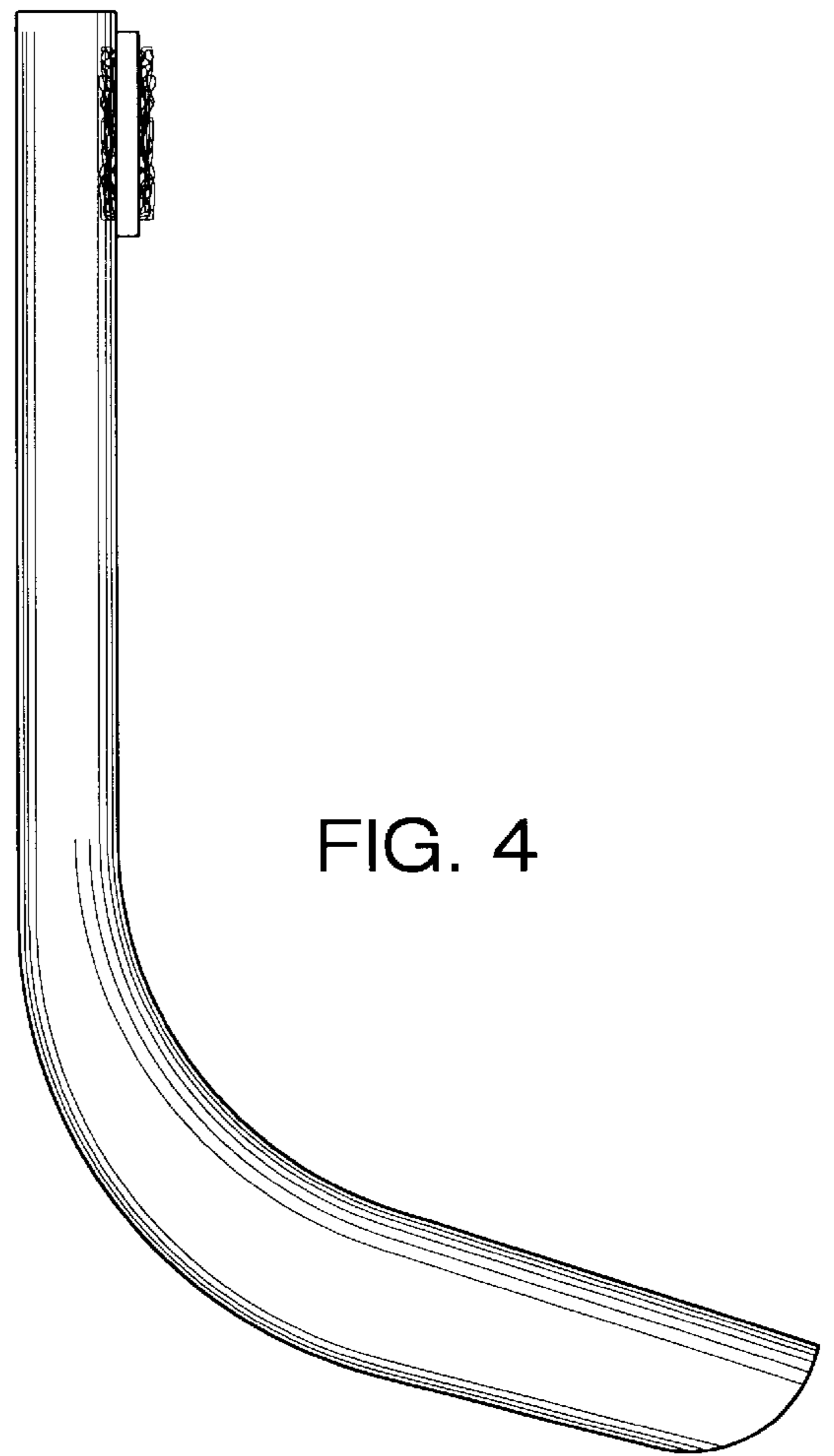


FIG. 4

FIG. 5

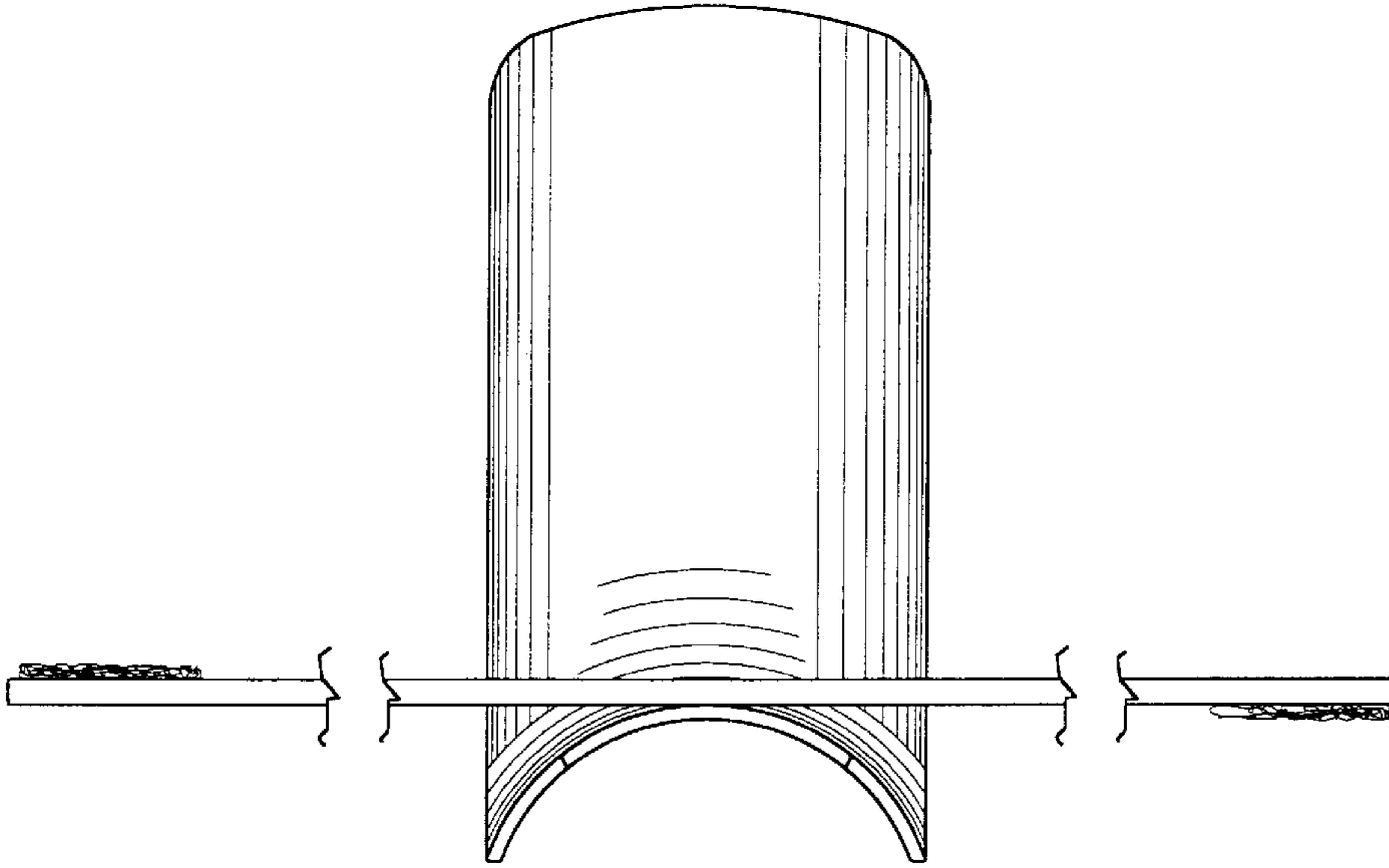


FIG. 6

