



US00D411300S

United States Patent [19]

[11] Patent Number: Des. 411,300

Kellstedt, Jr. et al.

[45] Date of Patent: ** *Jun. 22, 1999

[54] NON-INVASIVE BLOOD SENSING DEVICE

[75] Inventors: **Charles W. Kellstedt, Jr.; Joel M. Lieblein**, both of Sudbury, Mass.; **John R. Maliszewski**, Indiana, Pa.

[73] Assignee: **Diasense, Inc.**, Pittsburgh, Pa.

[*] Notice: This patent is subject to a terminal disclaimer.

[**] Term: **14 Years**

[21] Appl. No.: **29/059,103**

[22] Filed: **Sep. 3, 1996**

[51] LOC (6) Cl. **24-01**

[52] U.S. Cl. **D24/186**

[58] Field of Search D24/231, 232,
D24/169, 180, 186; 422/105; 435/287.1;
128/635, 633

[56] References Cited

U.S. PATENT DOCUMENTS

D. 249,892	10/1978	Aul et al.	D24/169 X
D. 330,596	10/1992	Frenkel et al.	D24/186
D. 338,658	8/1993	Suzuki	D14/100
D. 351,910	10/1994	Anderson et al.	D24/169
D. 358,583	5/1995	Winkler	D14/106
4,014,321	3/1977	March	128/633

Primary Examiner—Stella Reid

Attorney, Agent, or Firm—Webb Ziesenheim Logsdon Orkin Hanson, P.C.

[57] CLAIM

The ornamental design for non-invasive blood sensing device, as shown and described.

DESCRIPTION

FIG. 1 is a perspective view of the non-invasive blood sensing device according to the new design for receiving a patient's right arm with the video screen in the raised position, the arm support members in the extended position, and the ram in the retracted position;

FIG. 2 is a front elevation view of the device shown in FIG. 1;

FIG. 3 is a rear elevation view of the device shown in FIG. 1;

FIG. 4 is a top plan view of the device shown in FIG. 1;

FIG. 5 is a bottom plan view of the device shown in FIG. 1;

FIG. 6 is a left side elevation view of the device shown in FIG. 1;

FIG. 7 is a right side elevation view of the device shown in FIG. 1;

FIG. 8 is a perspective view of the non-invasive blood sensing device according to the new design for receiving a patient's right arm with the video screen in the lowered position, the arm support members in the retracted position, and the ram in the retracted position;

FIG. 9 is a front elevation view of the device shown in FIG. 8;

FIG. 10 is a rear elevation view of the device shown in FIG. 8;

FIG. 11 is a top plan view of the device shown in FIG. 8;

FIG. 12 is a bottom plan view of the device shown in FIG. 8;

FIG. 13 is a left side elevation view of the device shown in FIG. 8;

FIG. 14 is a right side elevation view of the device shown in FIG. 8;

FIG. 15 is a perspective view of the non-invasive blood sensing device according to the new design for receiving a patient's right arm with the video screen in the raised position, the arm support members in the retracted position, and the power pack detached from the measuring assembly;

FIG. 16 is a front elevation view of the device shown in FIG. 15;

FIG. 17 is a rear elevation view of the device shown in FIG. 15;

FIG. 18 is a top plan view of the device shown in FIG. 15;

FIG. 19 is a bottom plan view of the device shown in FIG. 15;

FIG. 20 is a left side elevation view of the device shown in FIG. 15 ;

FIG. 21 is a right side elevation view of the device shown in FIG. 15;

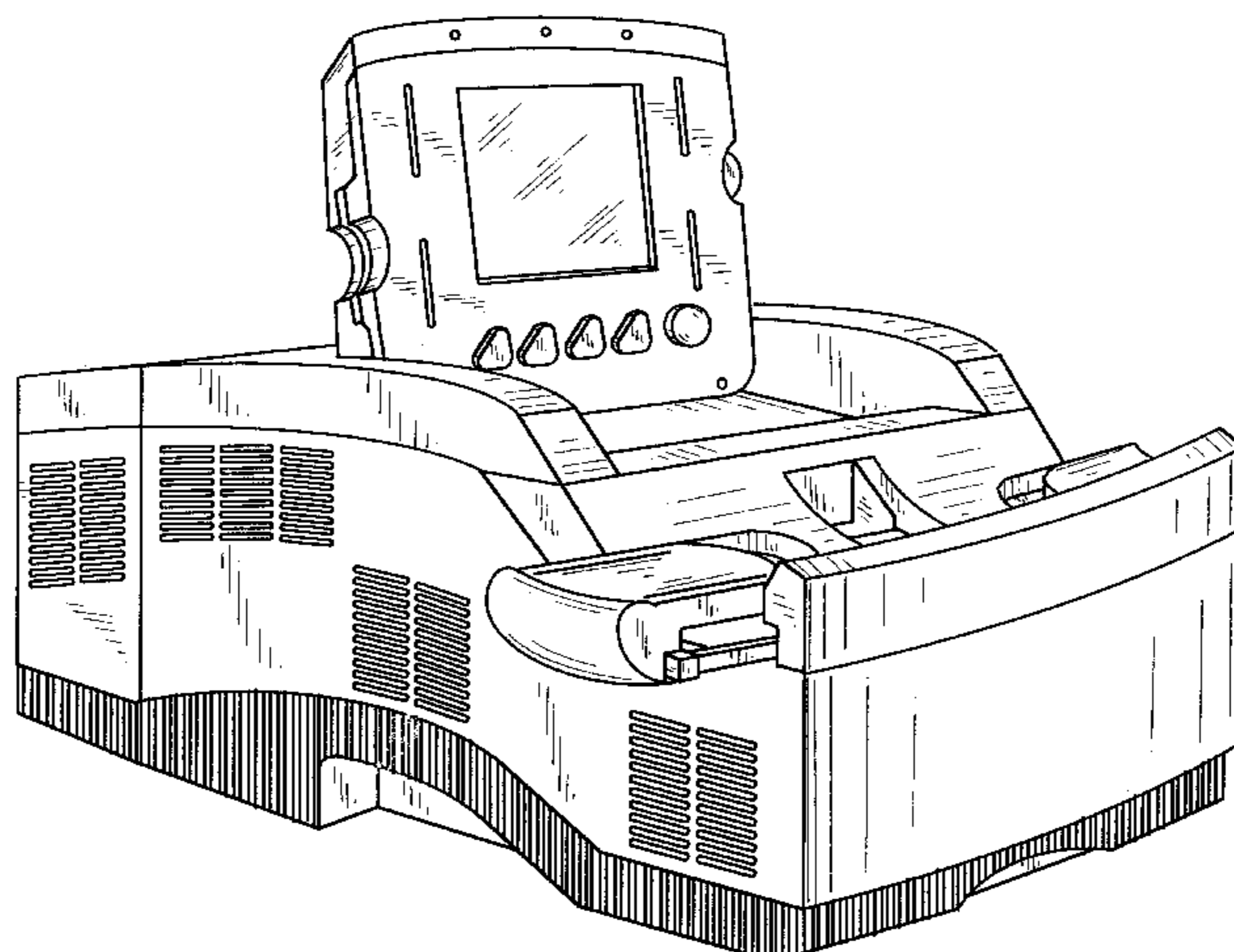


FIG. 22 is a front elevation view of the non-invasive blood sensing device according to the new design for receiving a patient's left arm with the video screen in the raised position, the arm support members in the extended position, and the ram in the retracted position;

FIG. 23 is a rear elevation view of the device shown in FIG. 22;

FIG. 24 is a top plan view of the device shown in FIG. 22; FIG. 25 is a bottom plan view of the device shown in FIG. 22; and;

FIG. 26 is a top plan view of the device shown in FIG. 1 with the ram in the extended position.

1 Claim, 25 Drawing Sheets

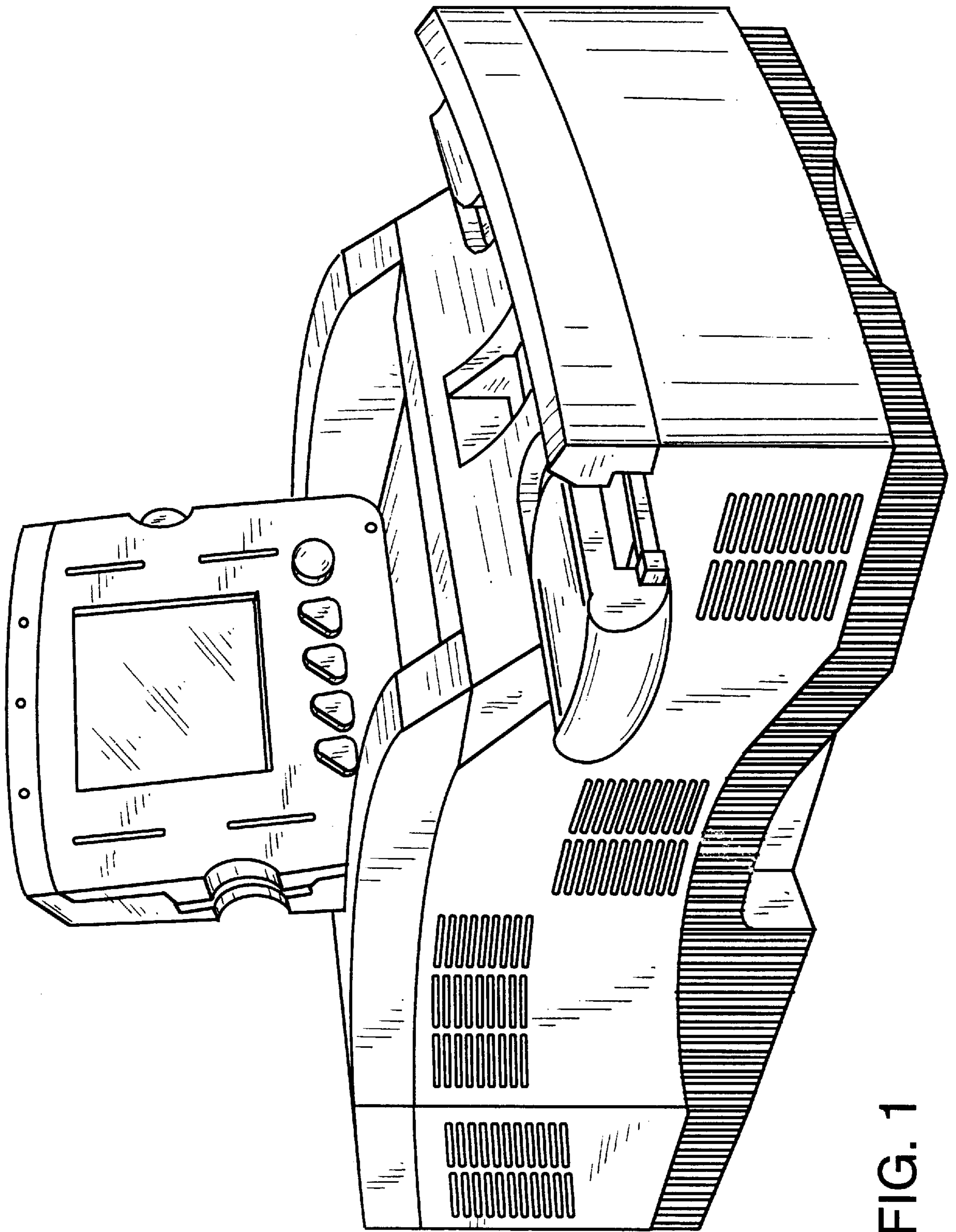


FIG. 1

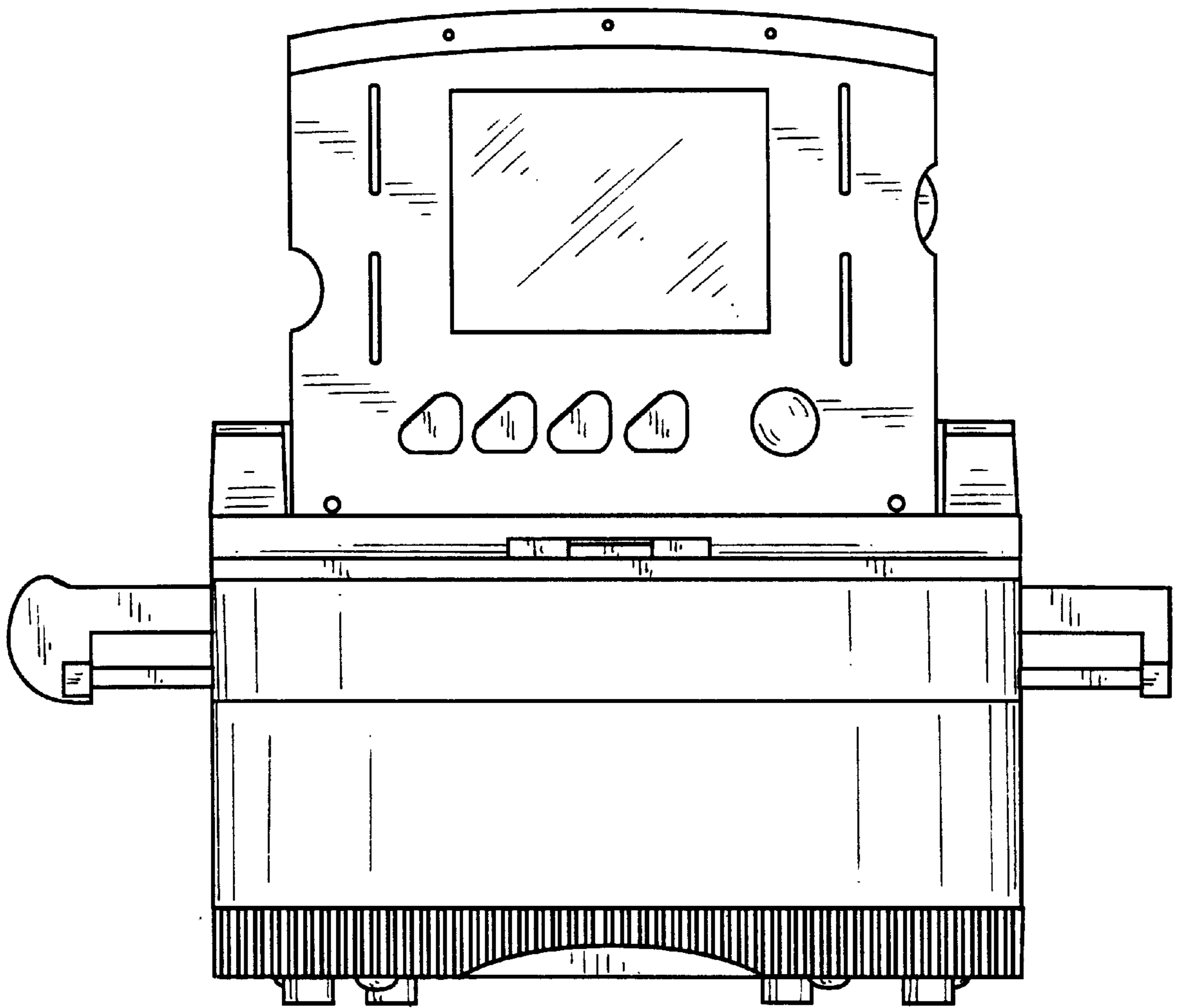


FIG. 2

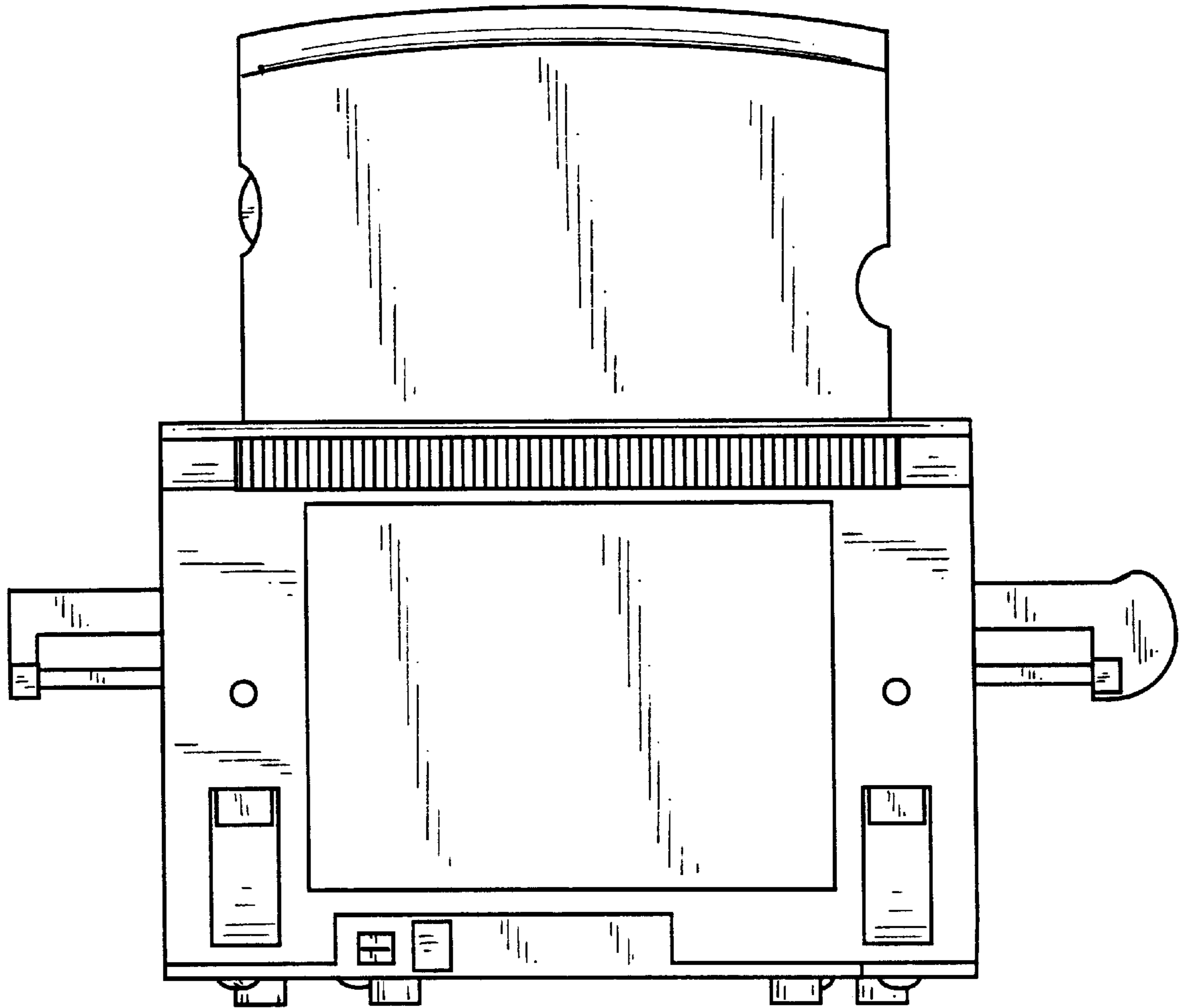


FIG. 3

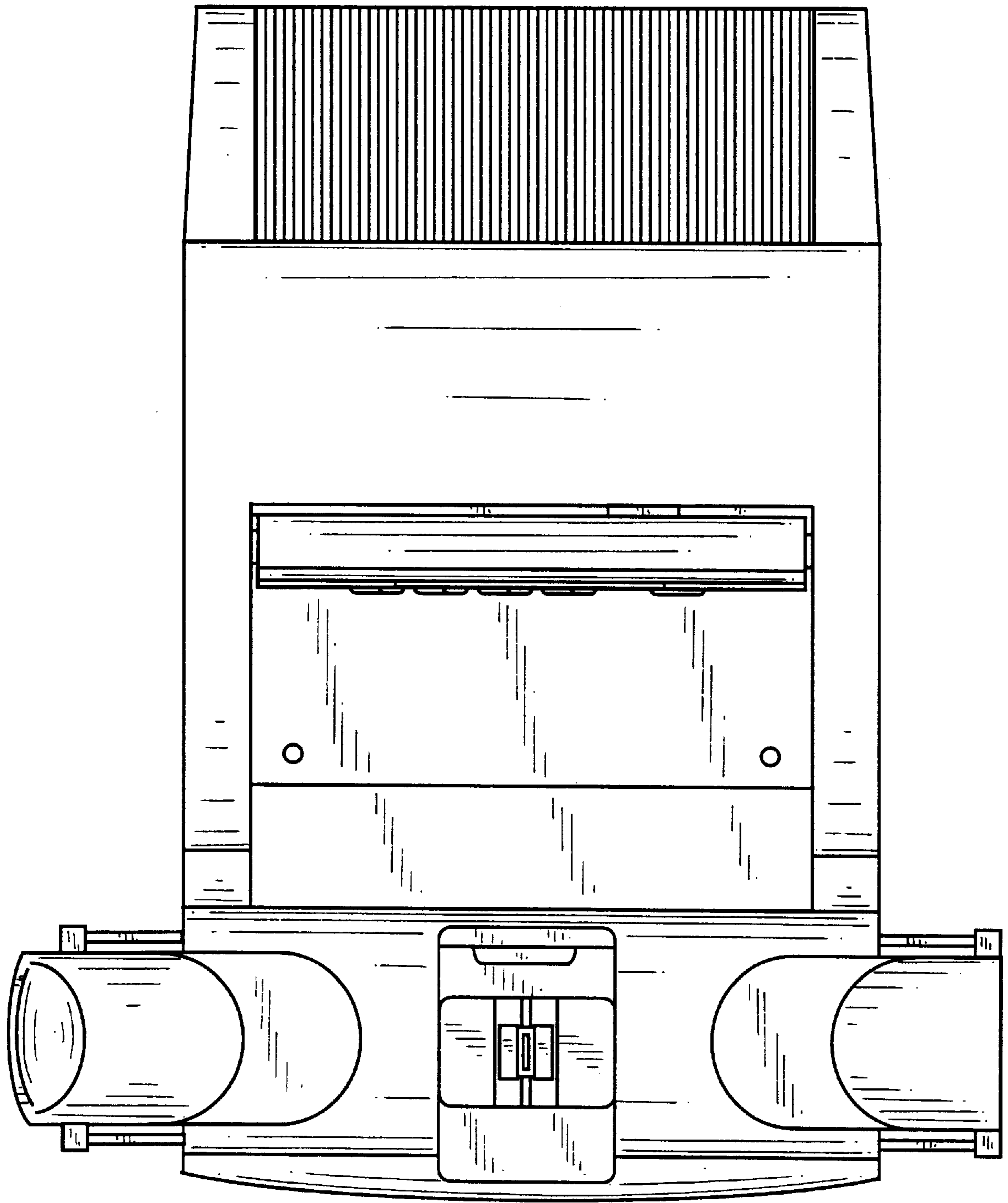


FIG. 4

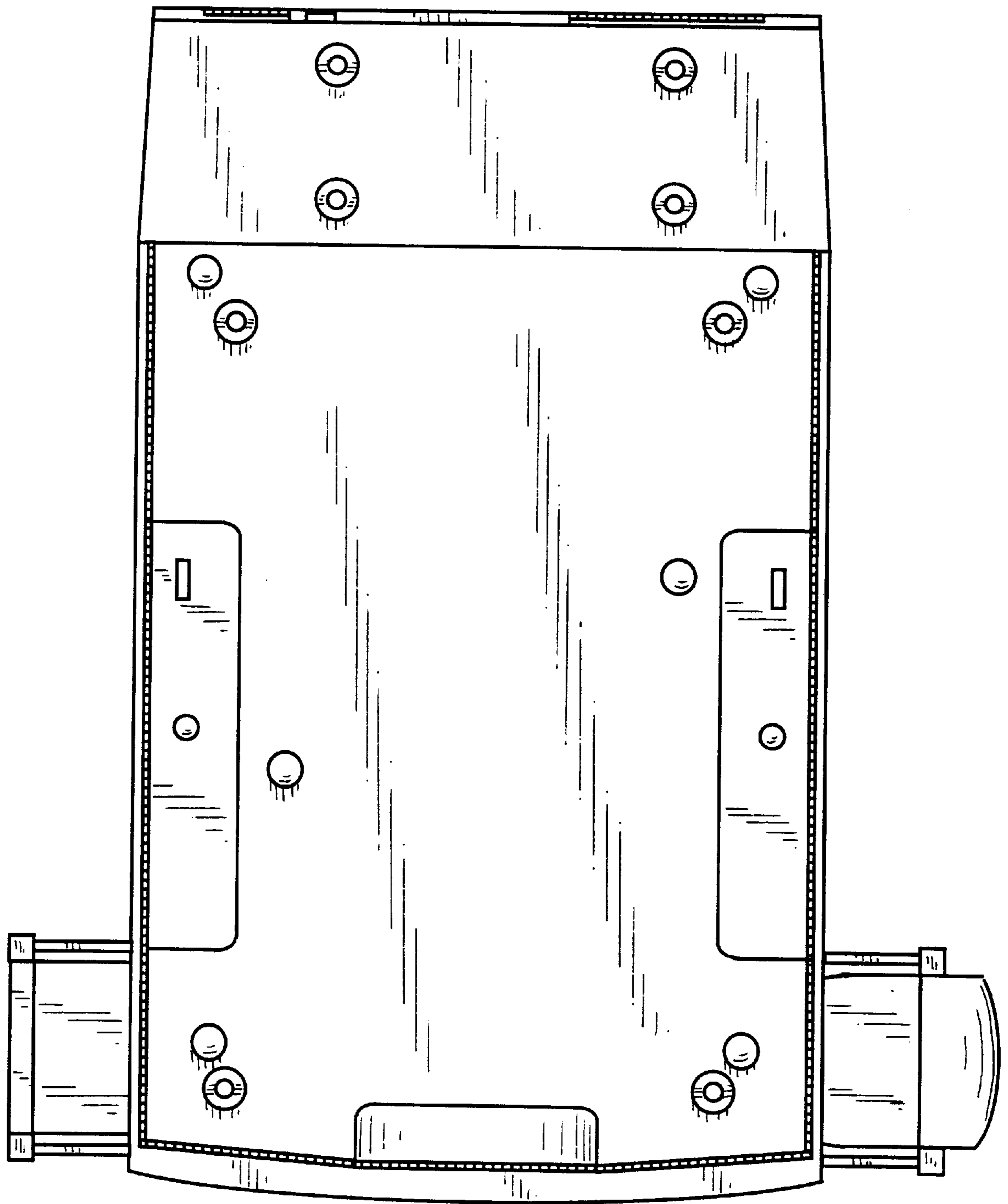


FIG. 5

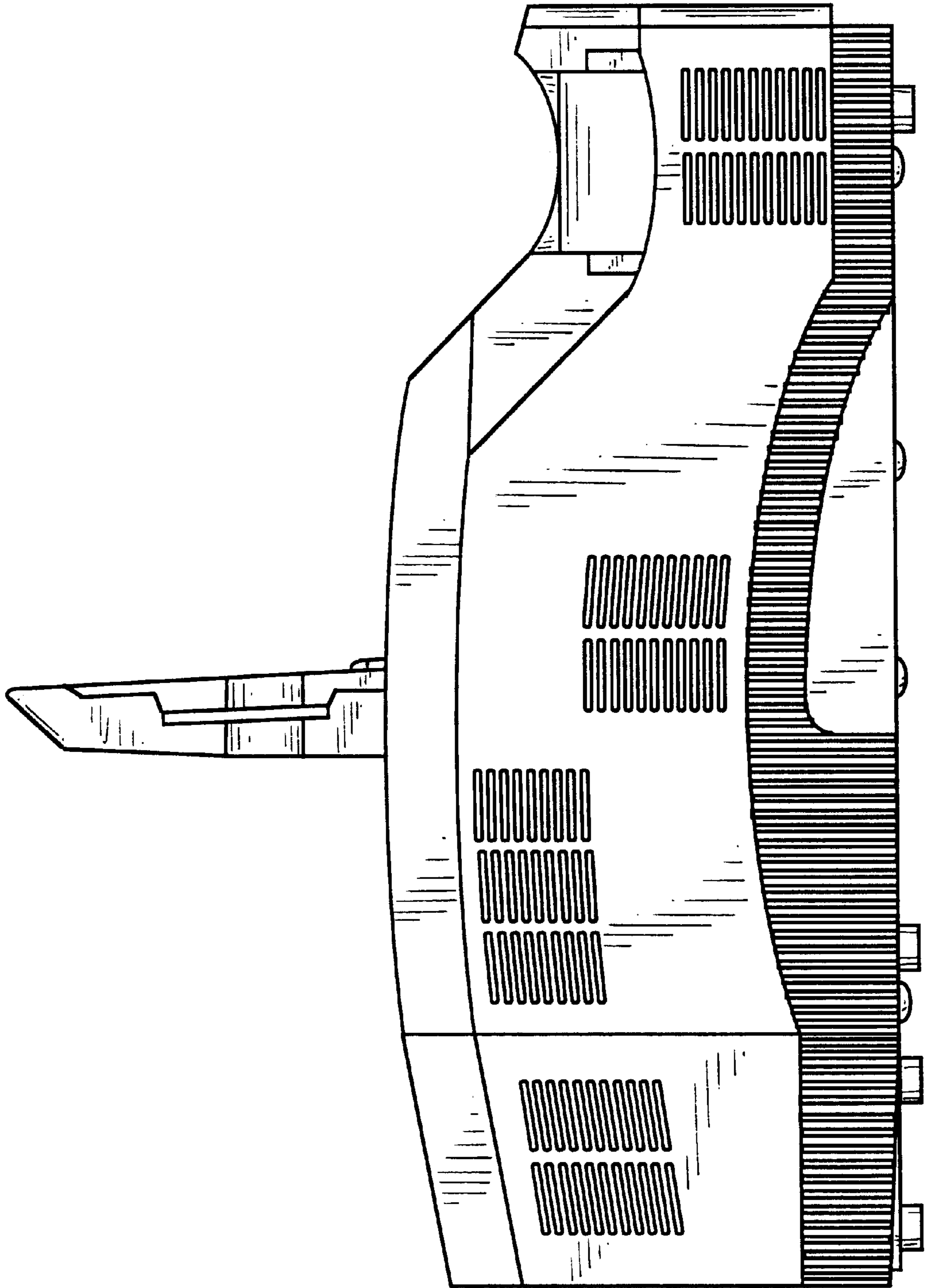


FIG. 6

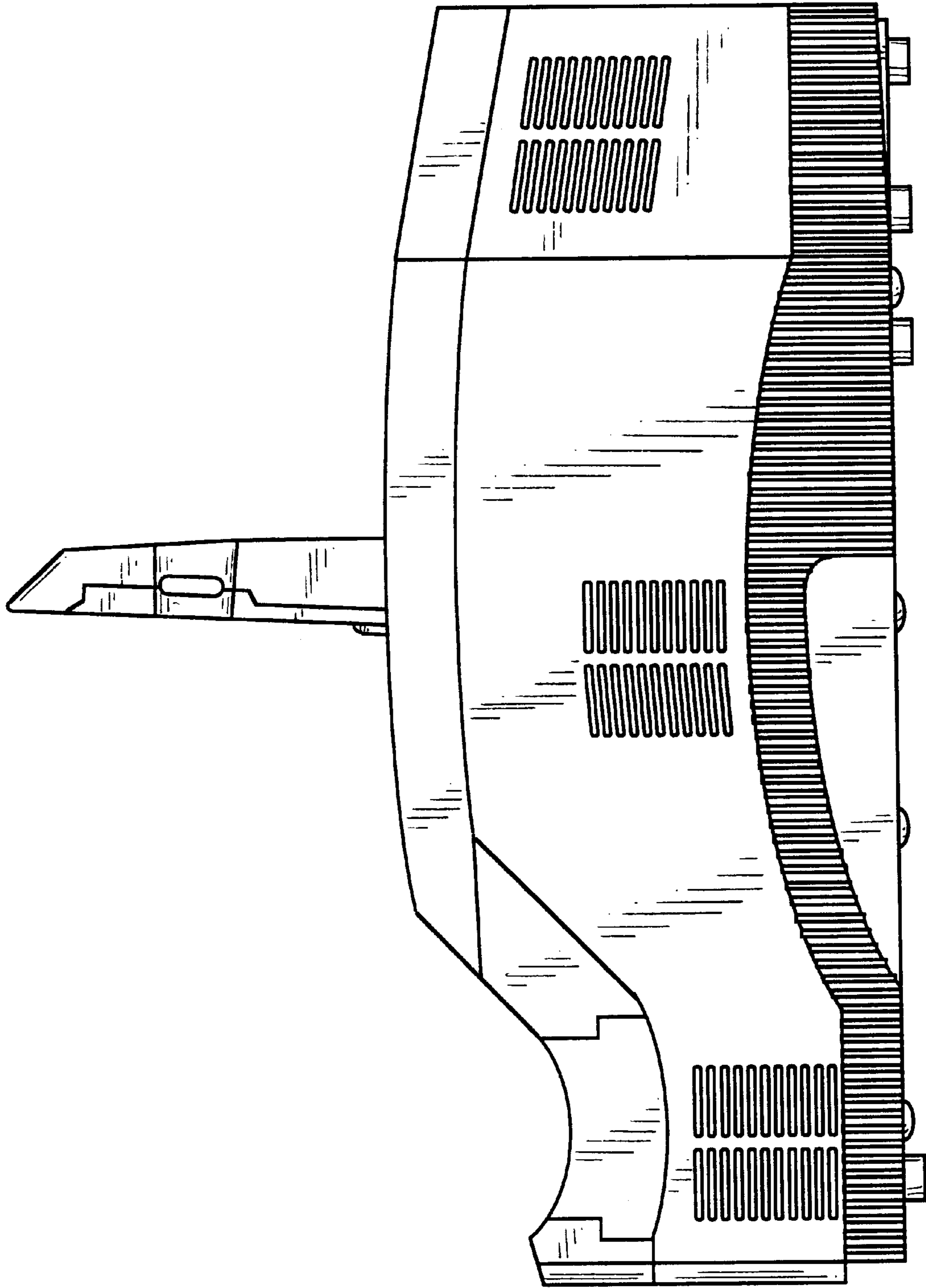


FIG. 7

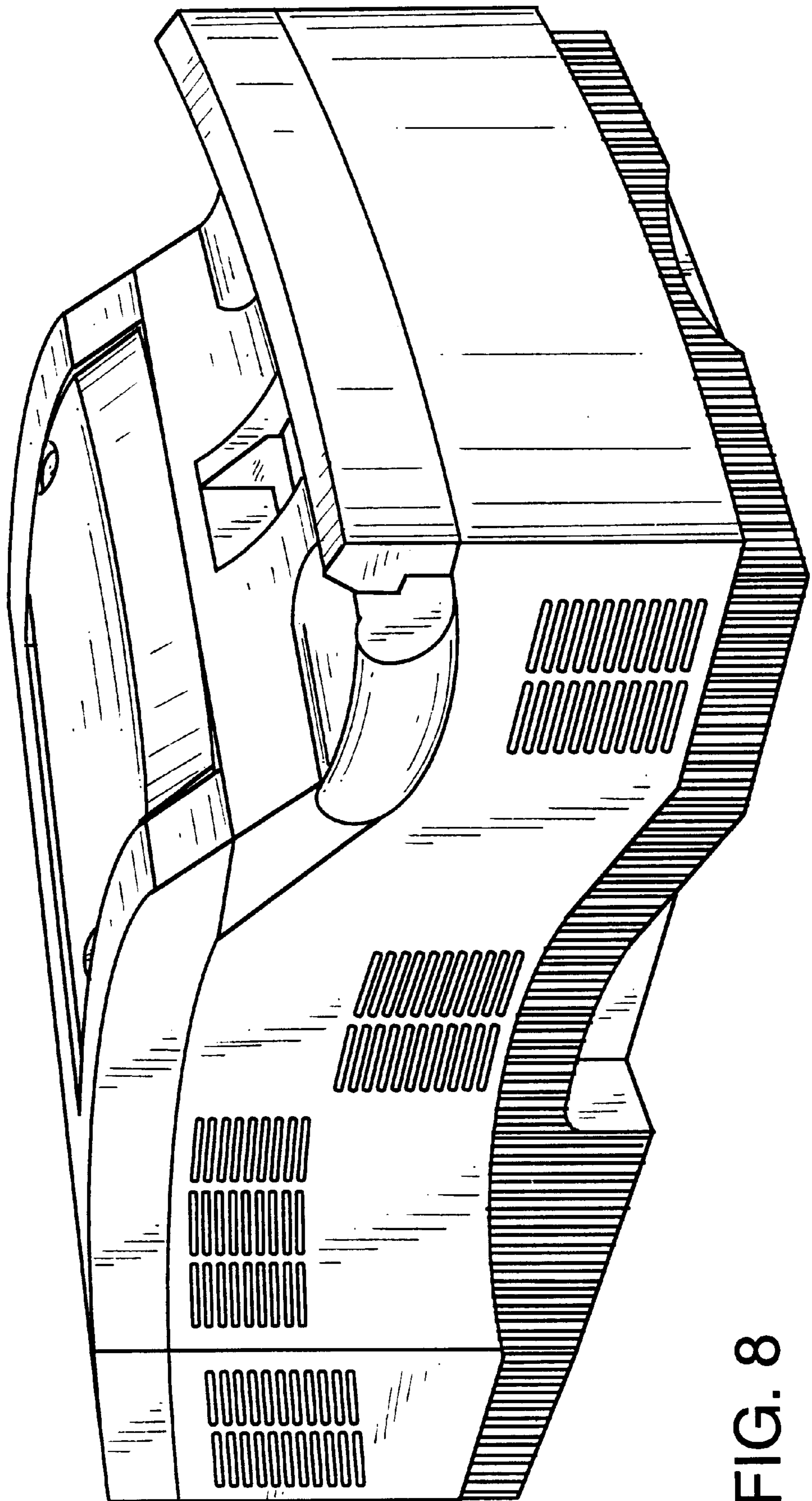


FIG. 8

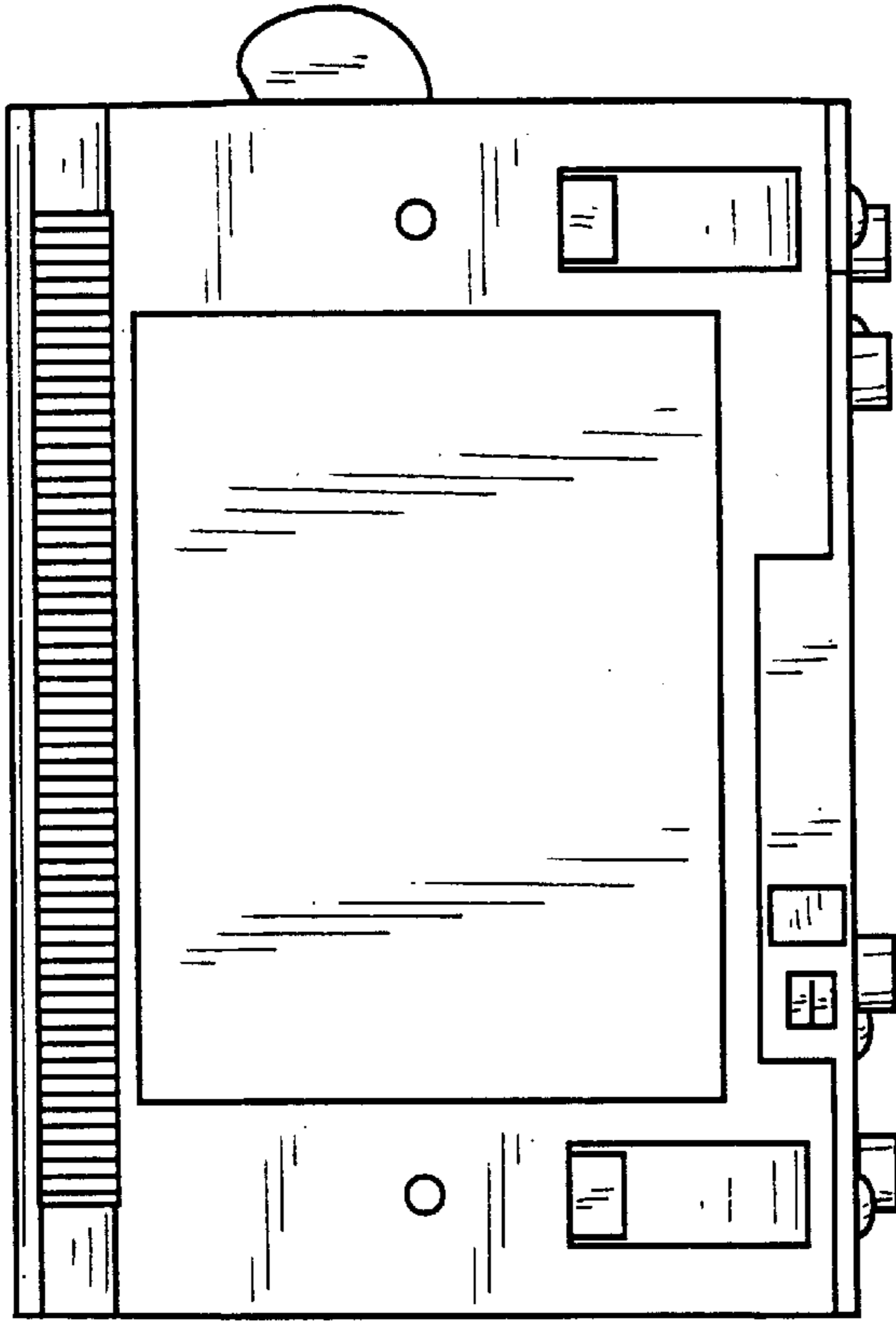


FIG. 10

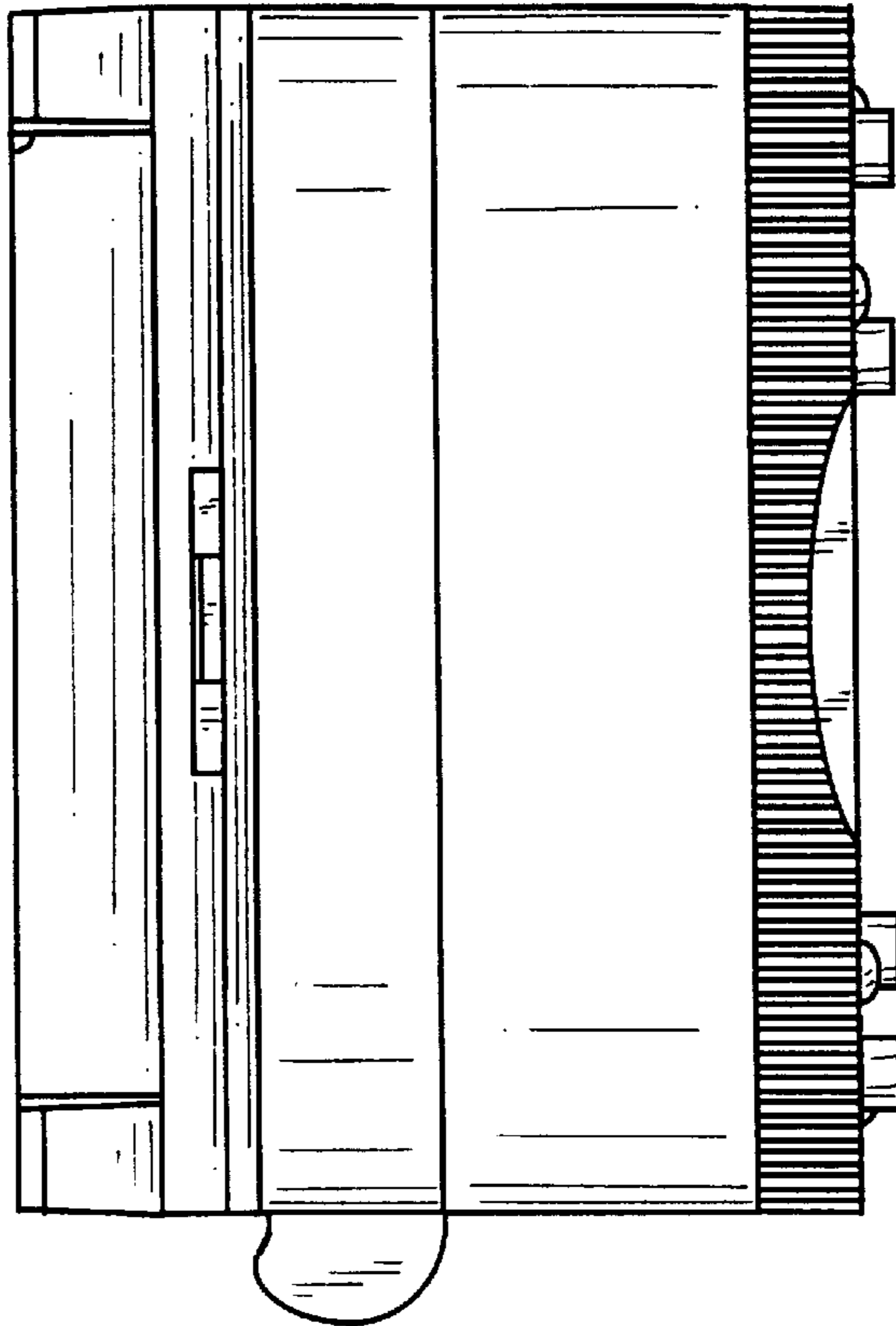


FIG. 9

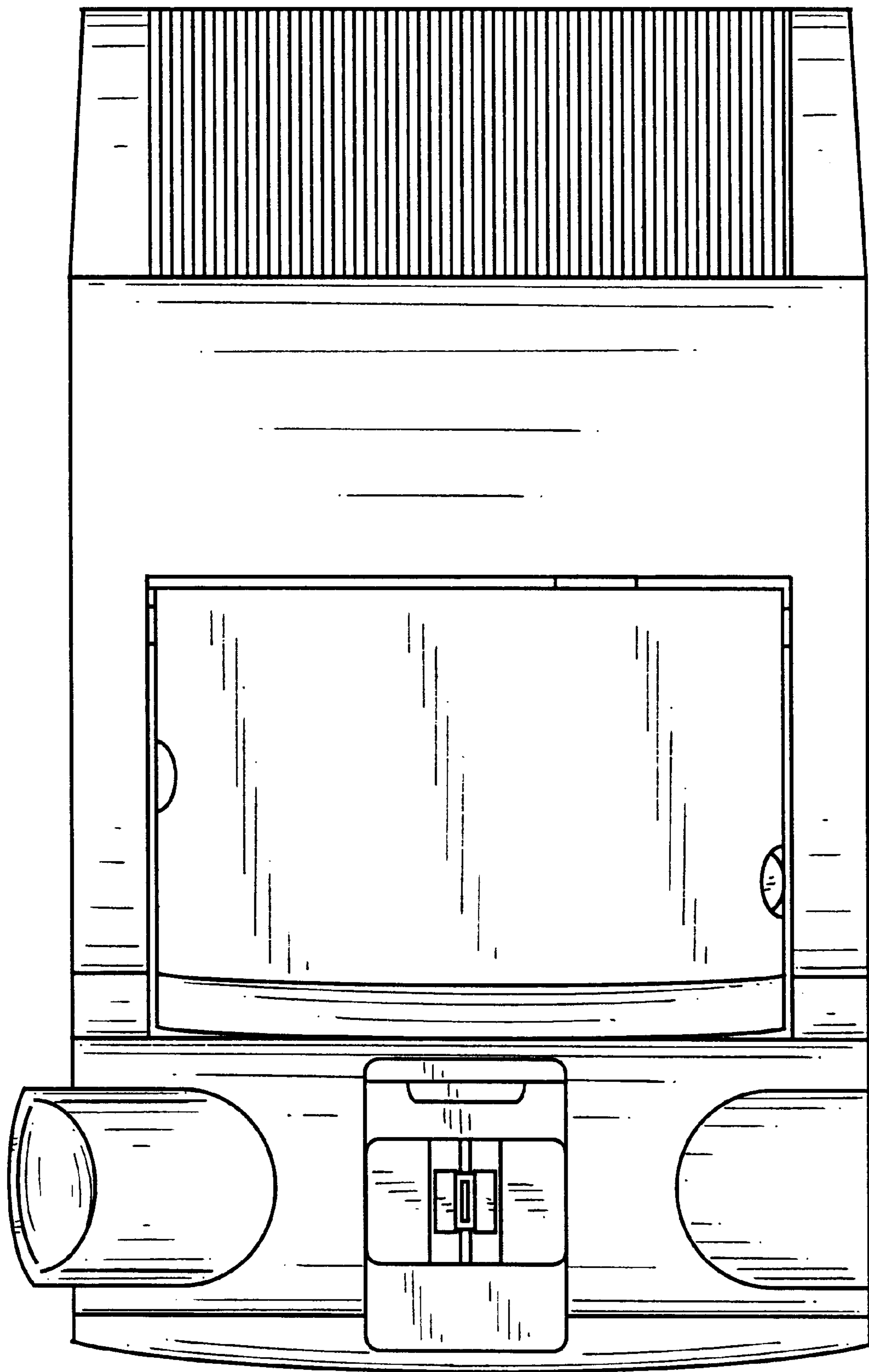


FIG. 11

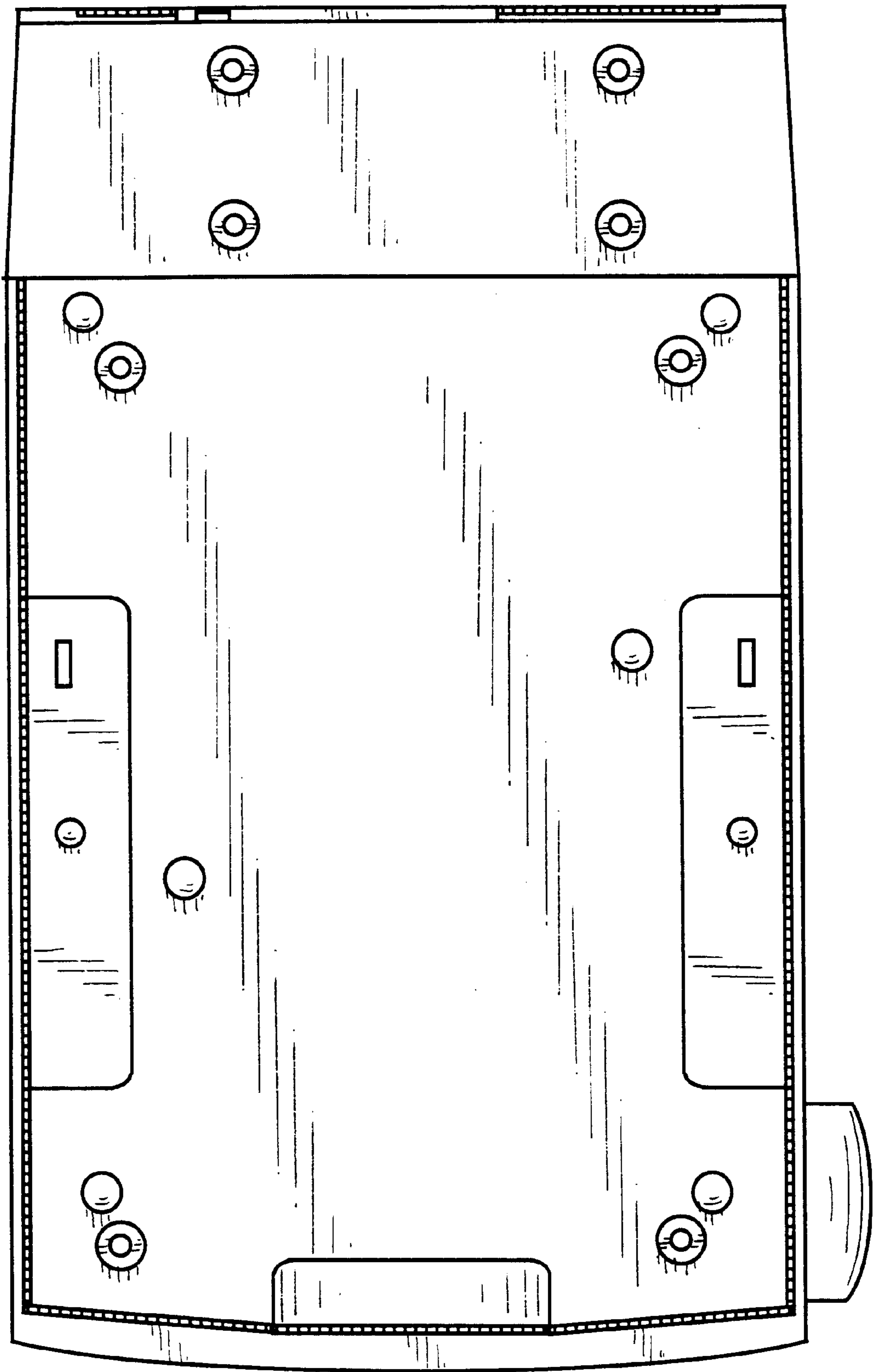


FIG. 12

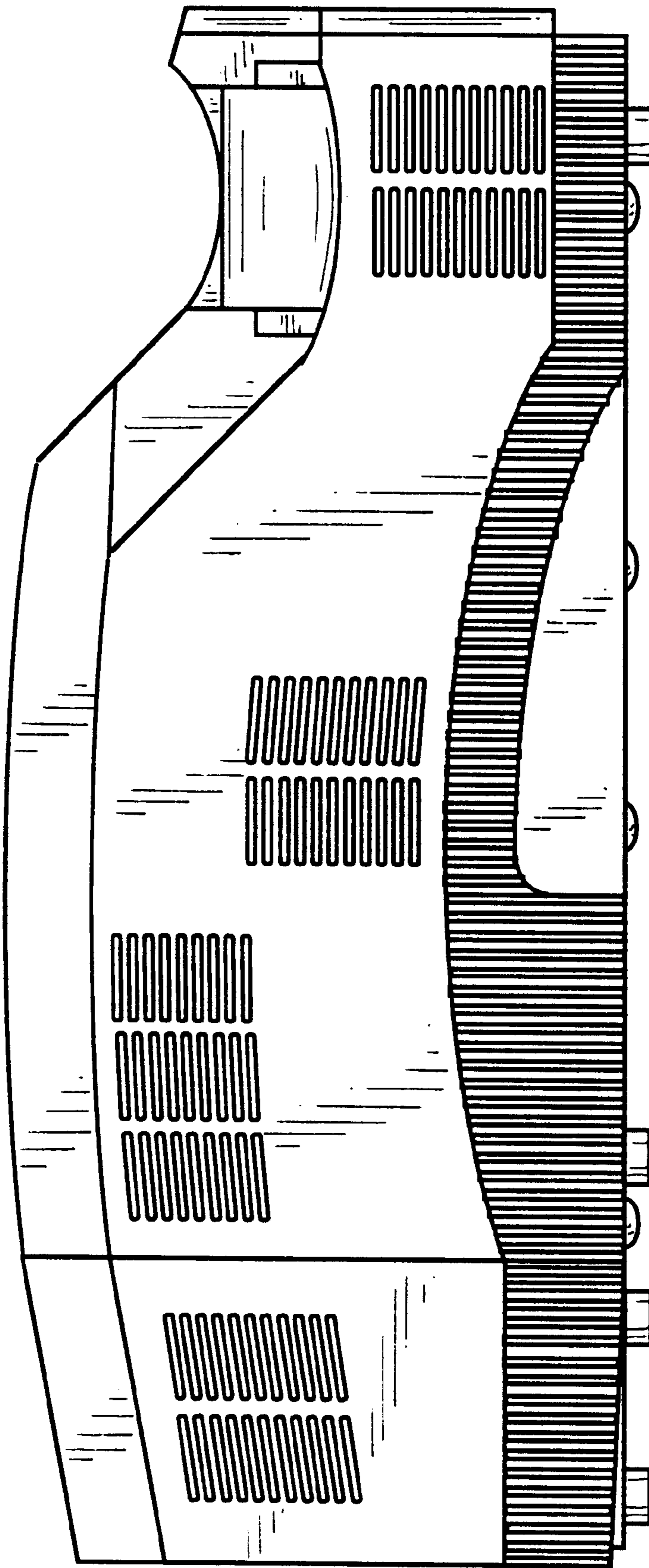


FIG. 13

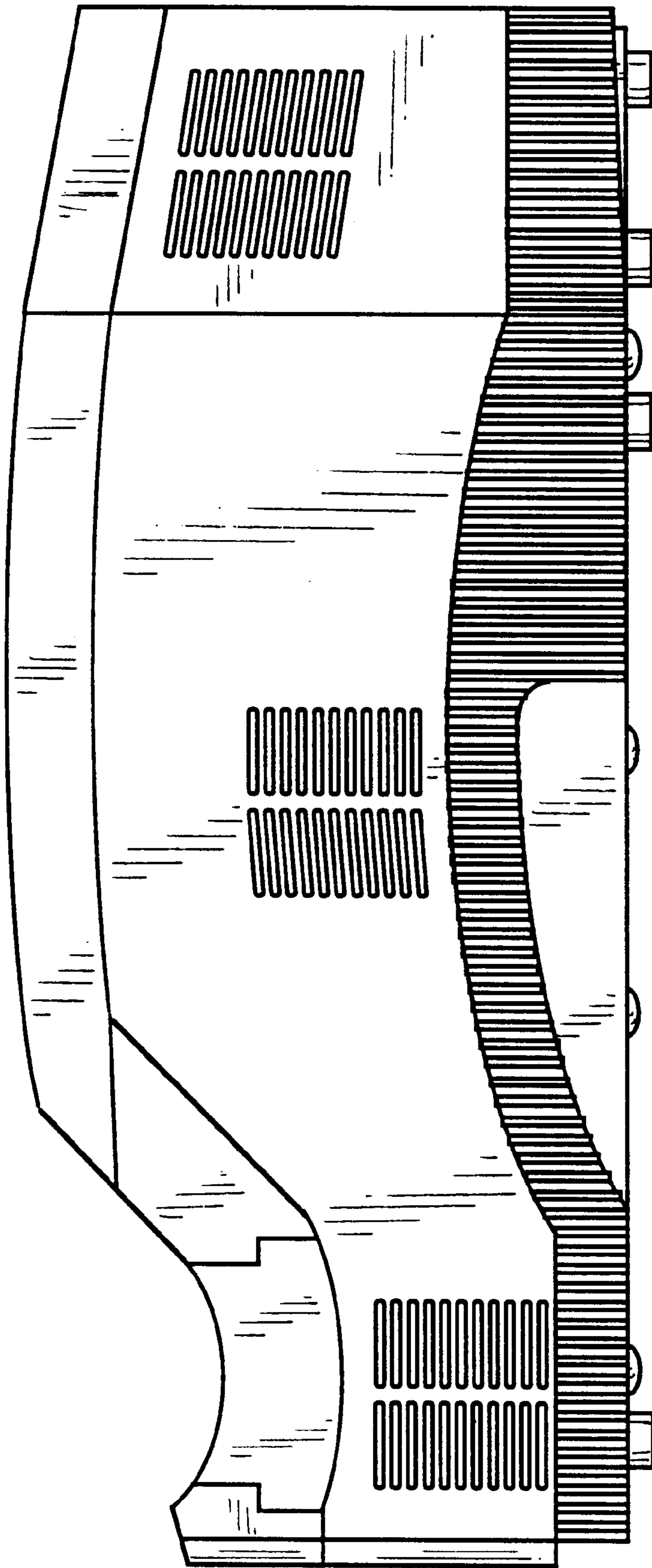


FIG. 14

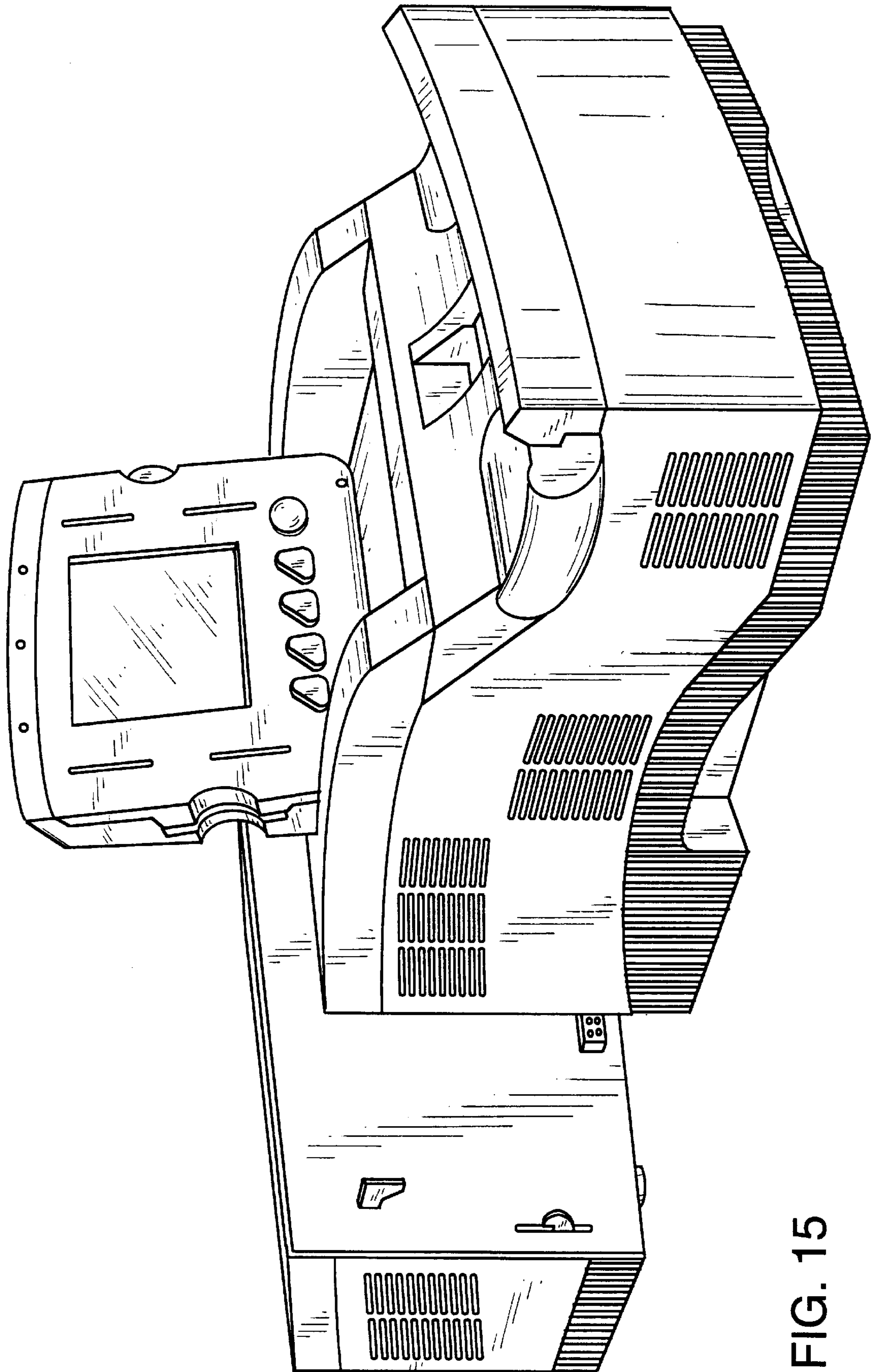


FIG. 15

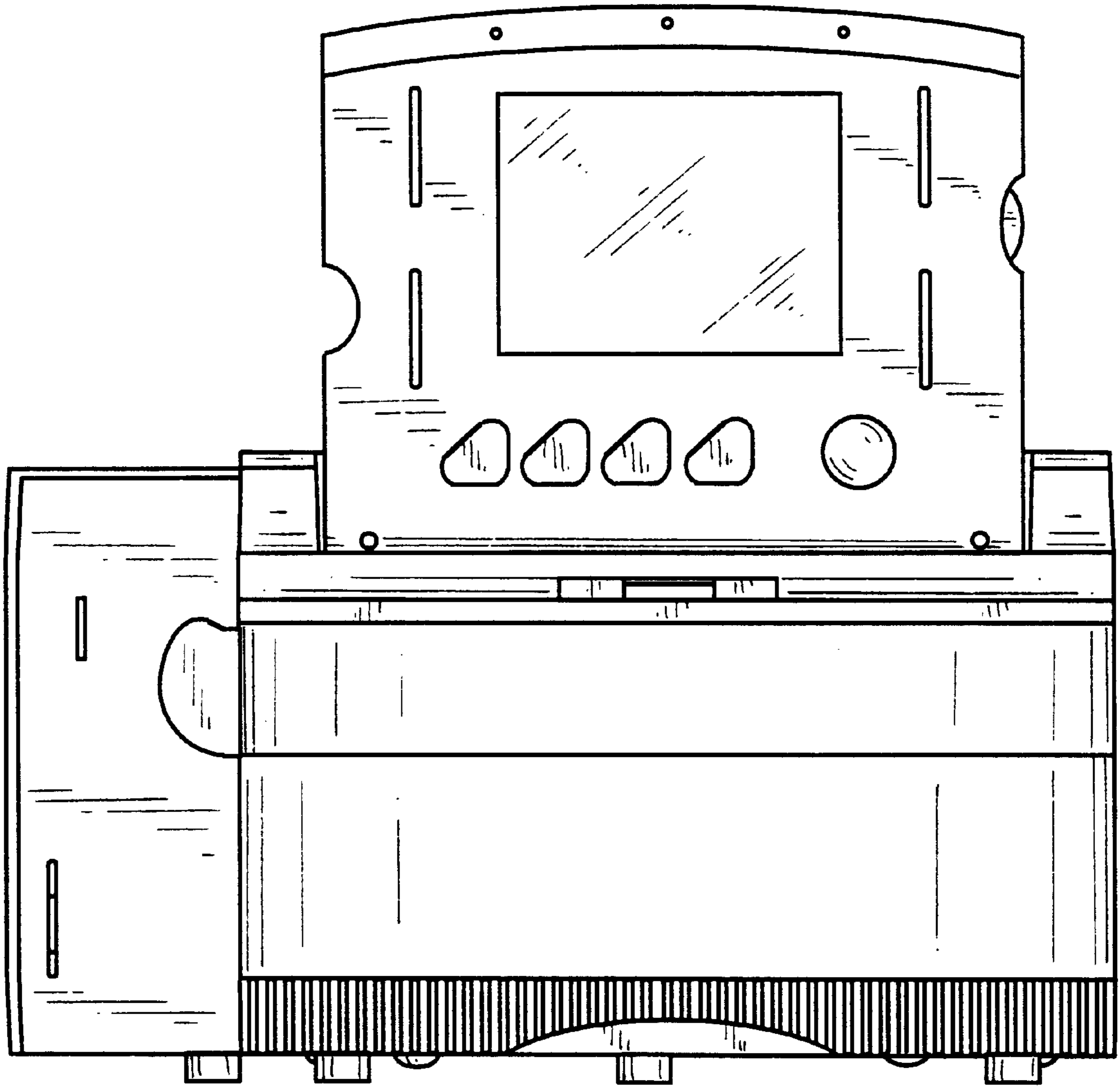


FIG. 16

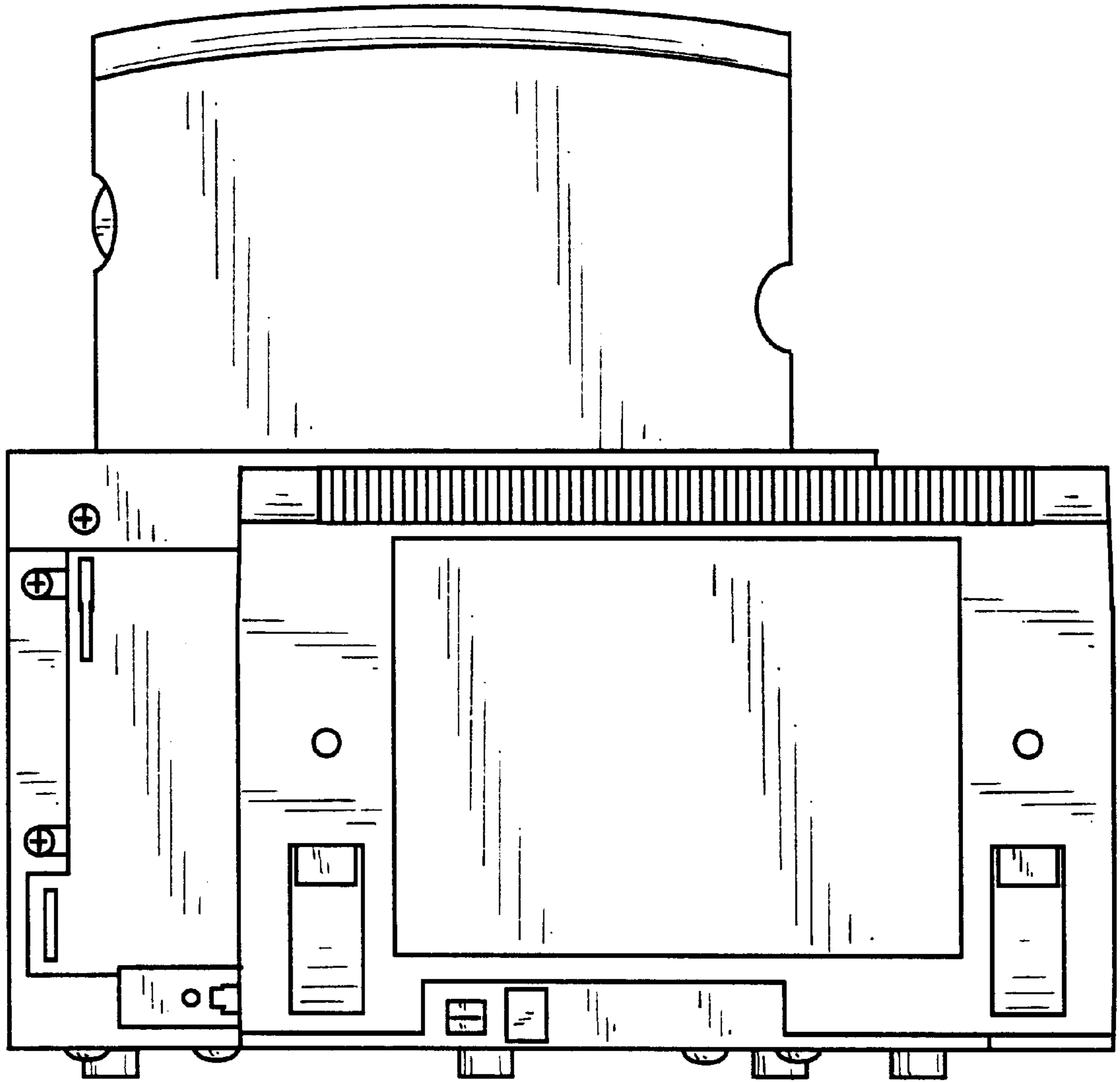


FIG. 17

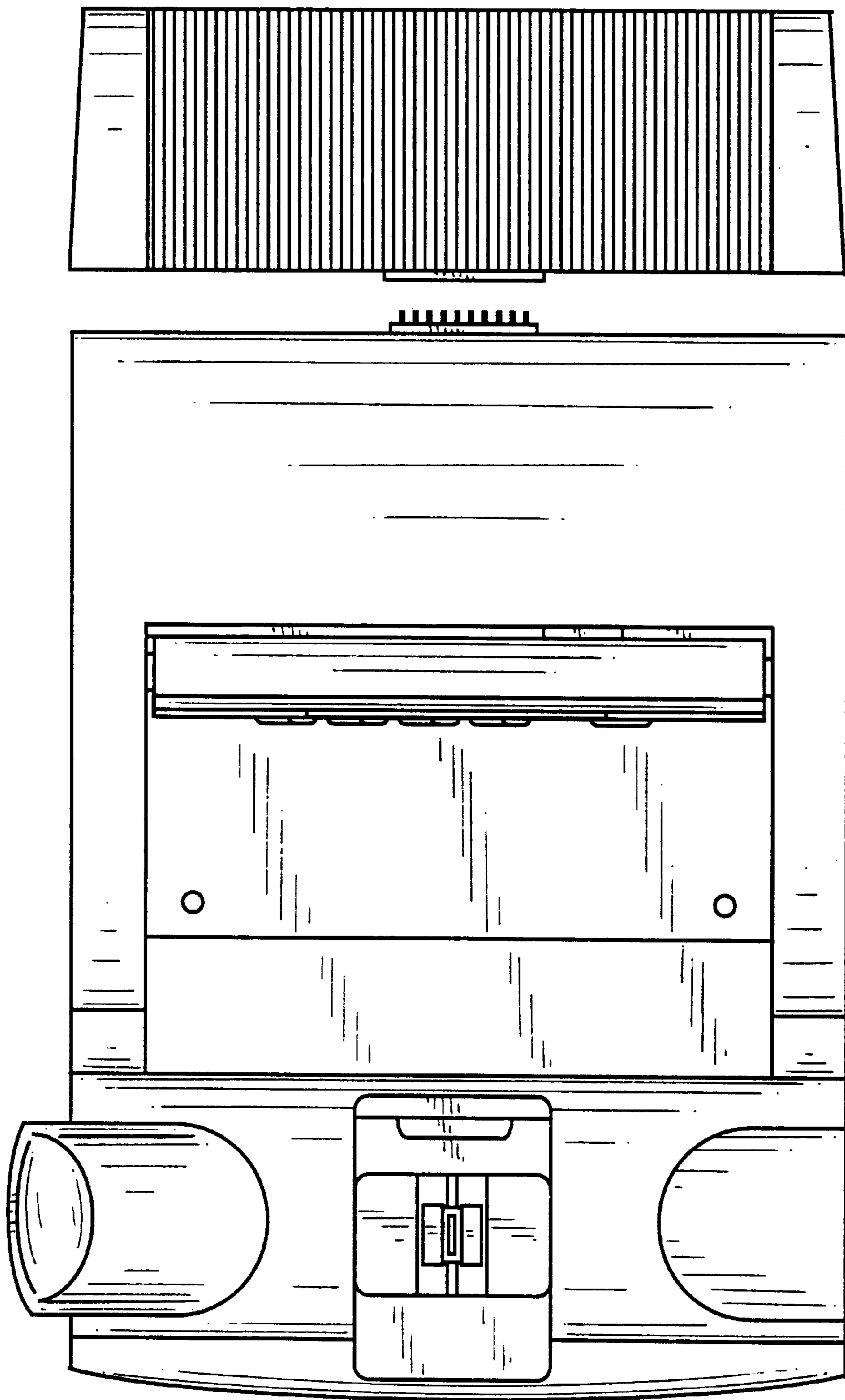


FIG. 18

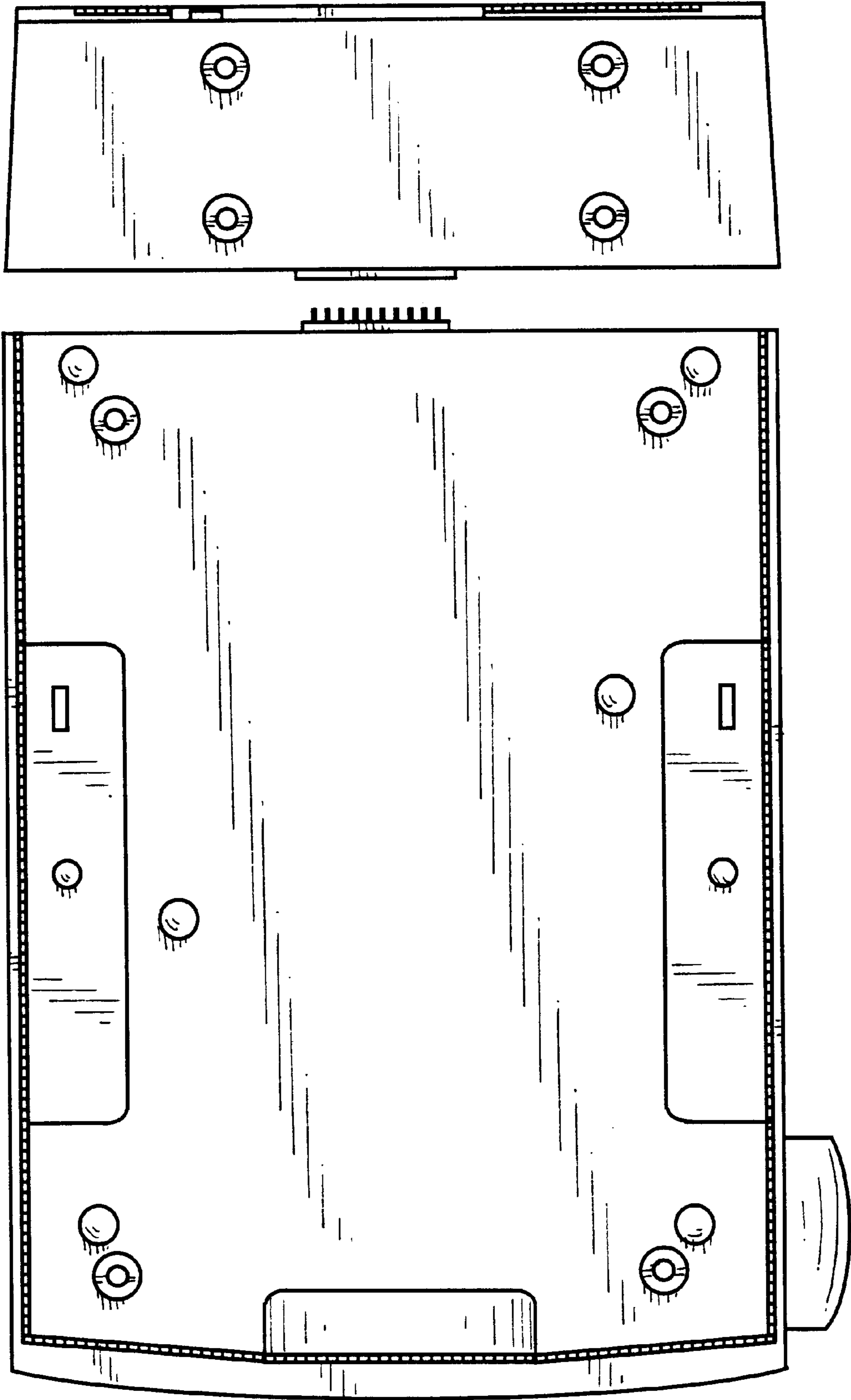


FIG. 19

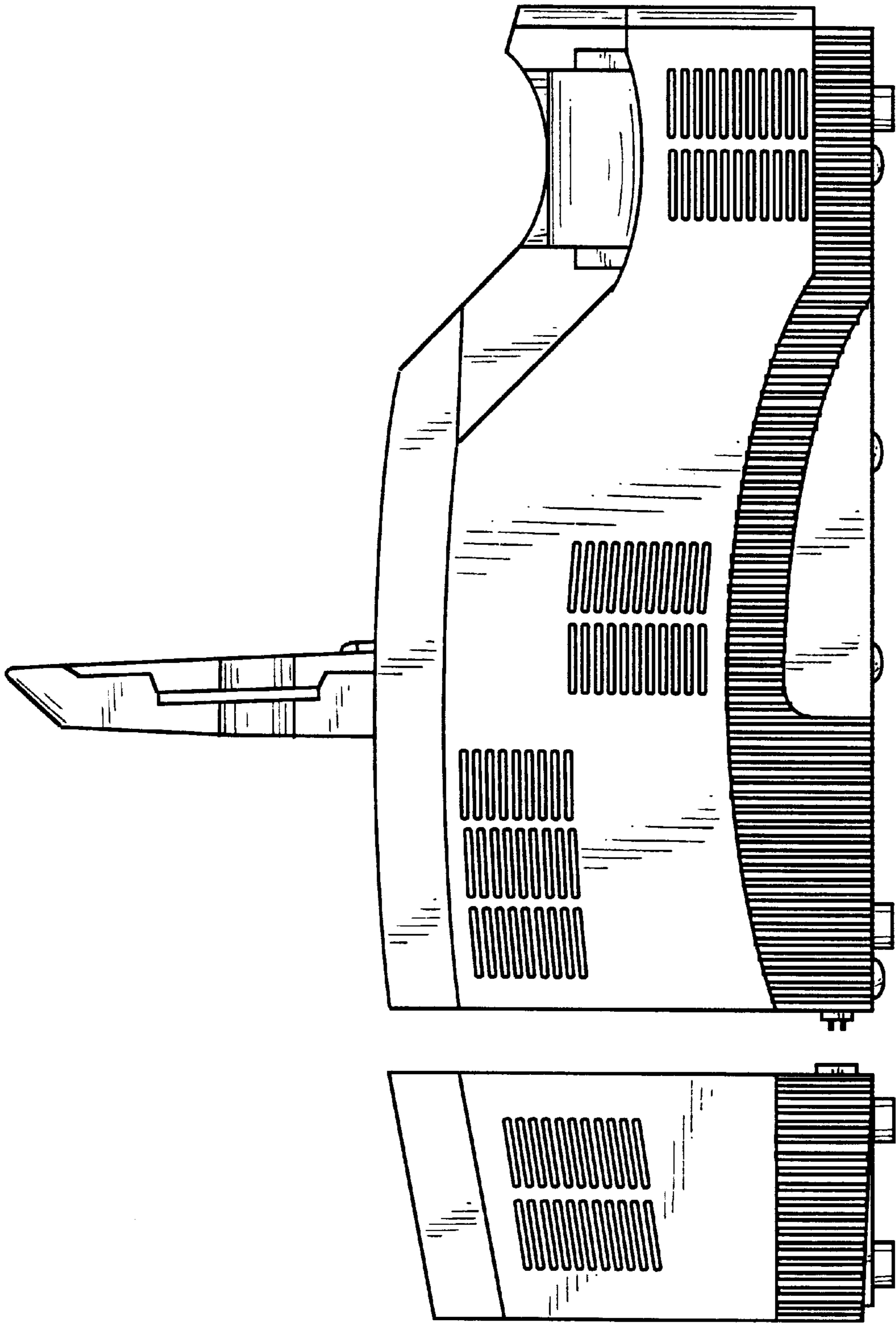


FIG. 20

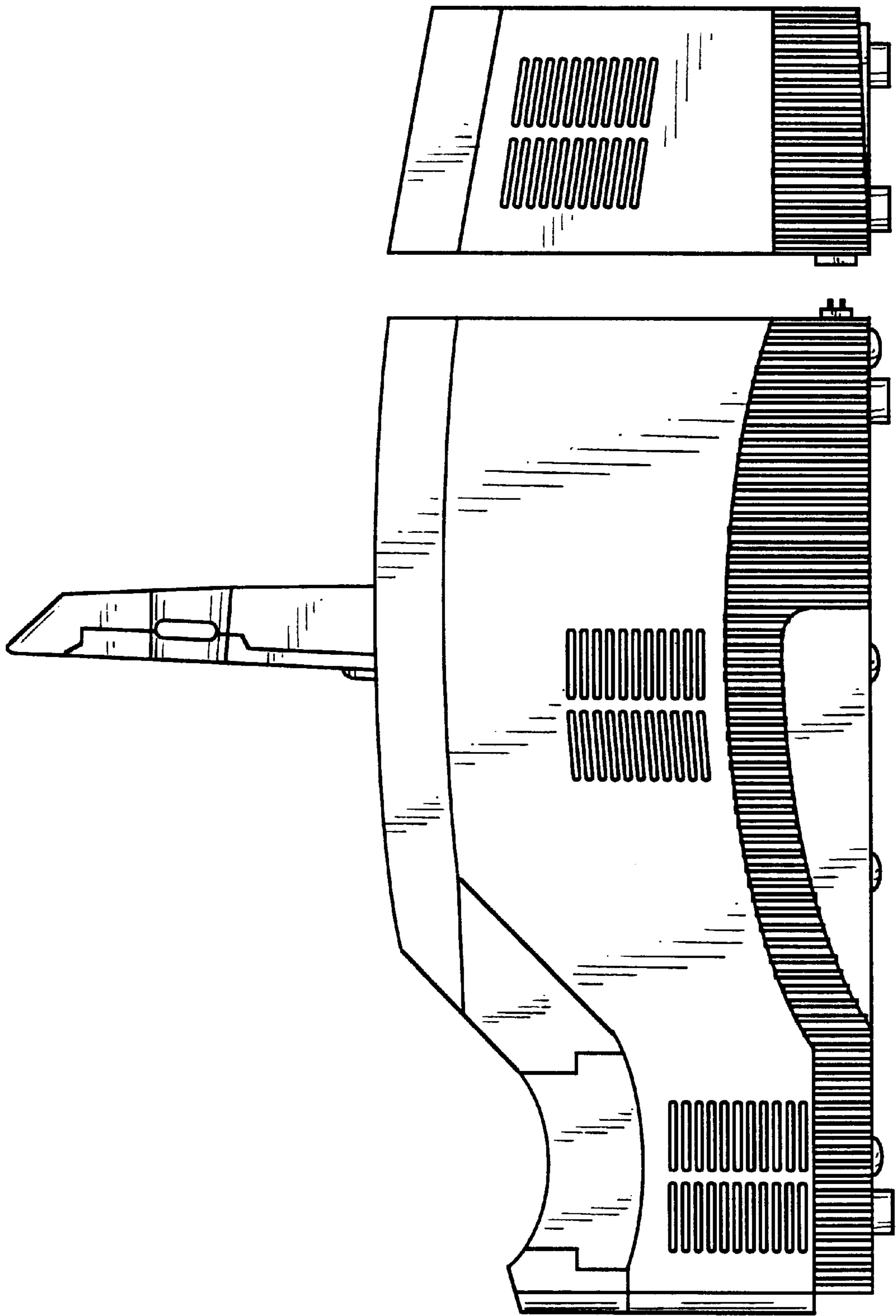


FIG. 21

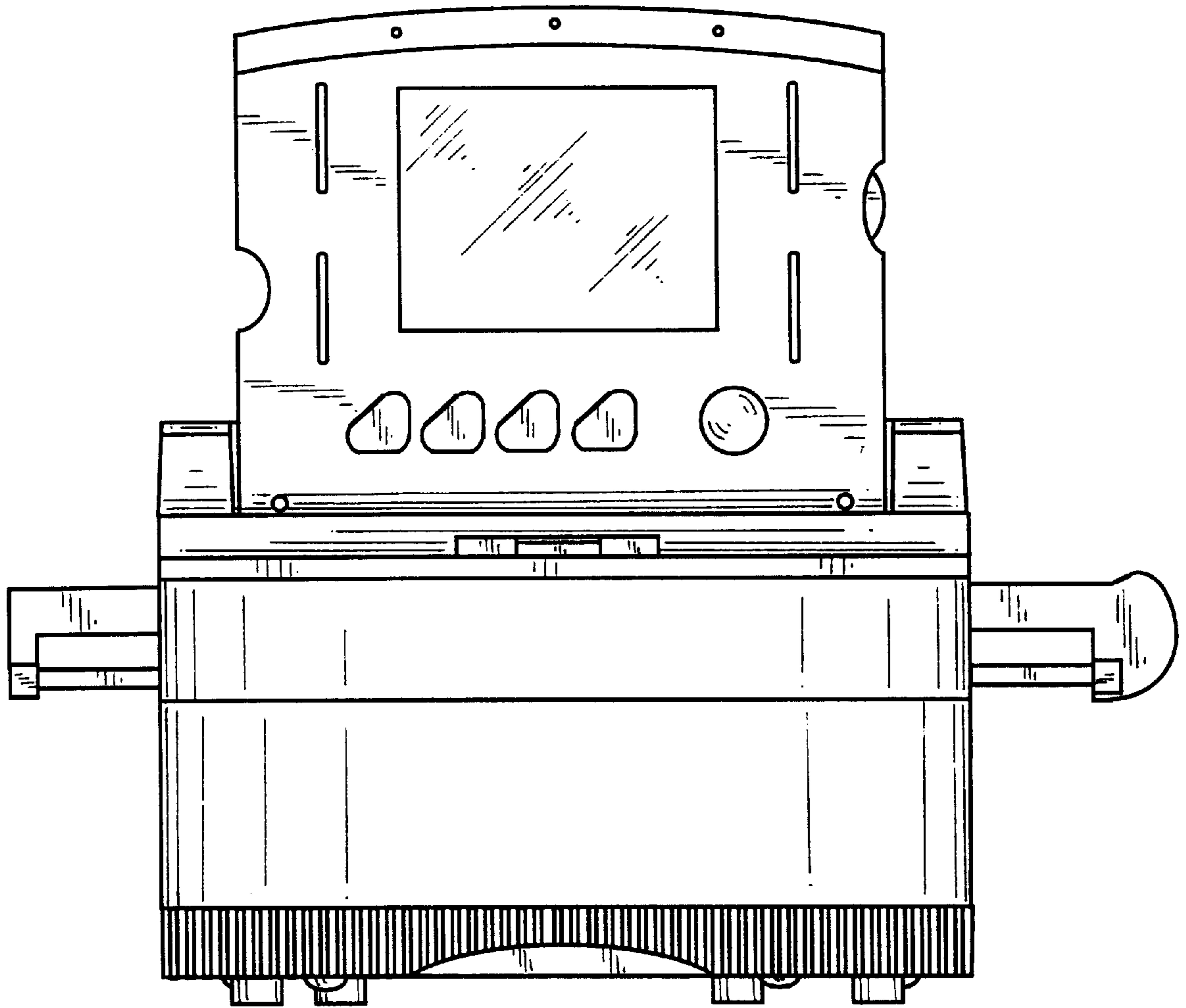


FIG. 22

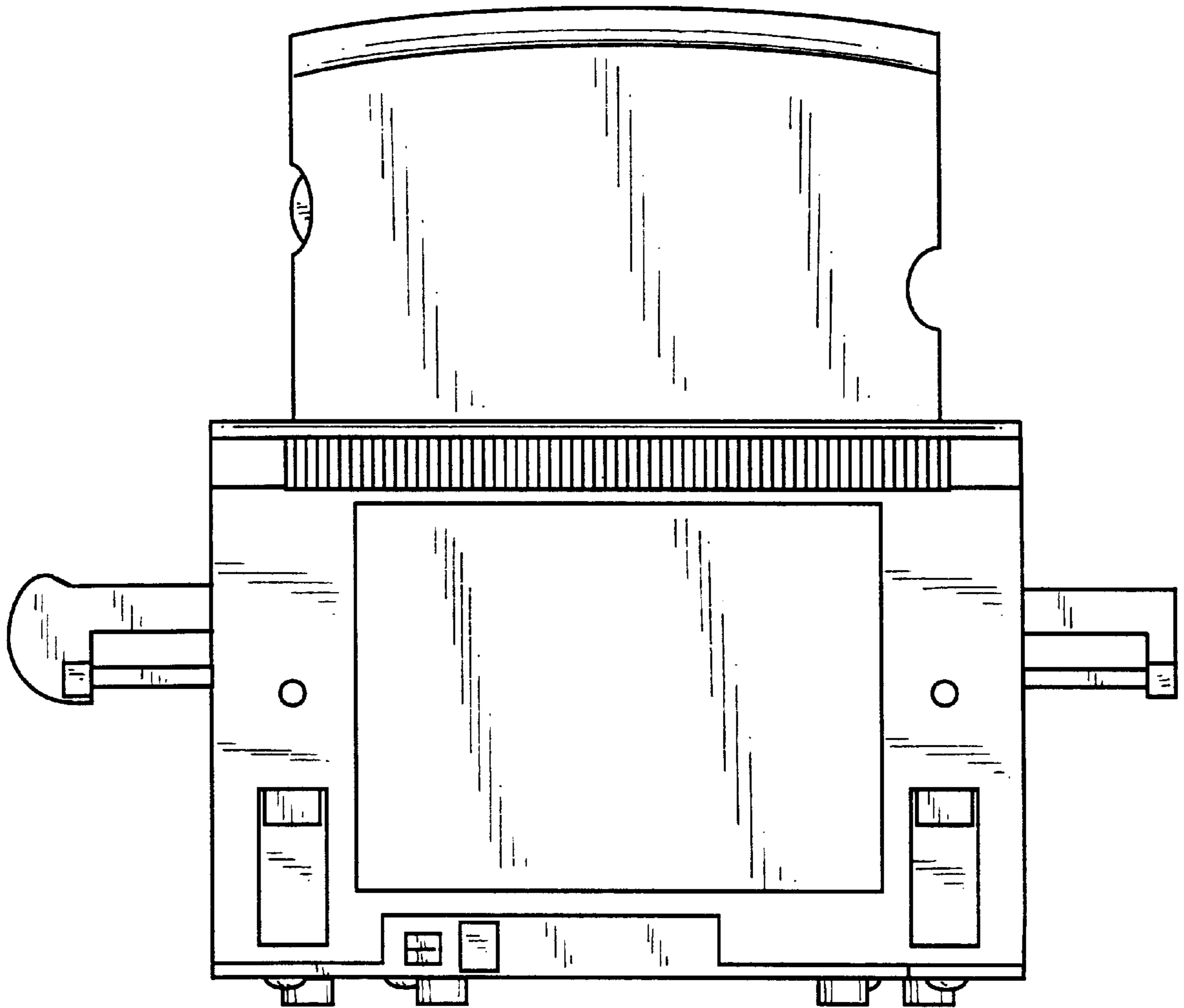


FIG. 23

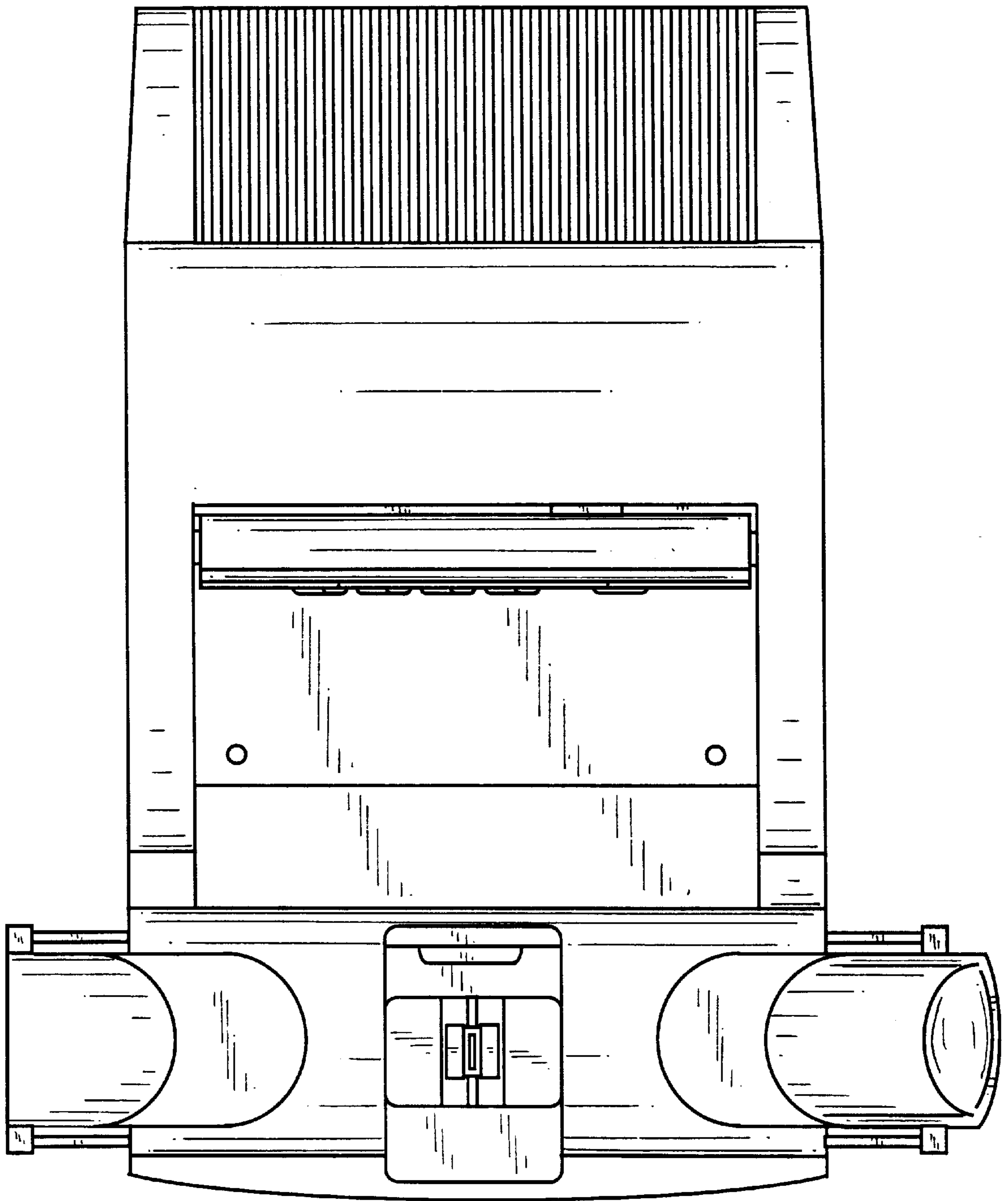


FIG. 24

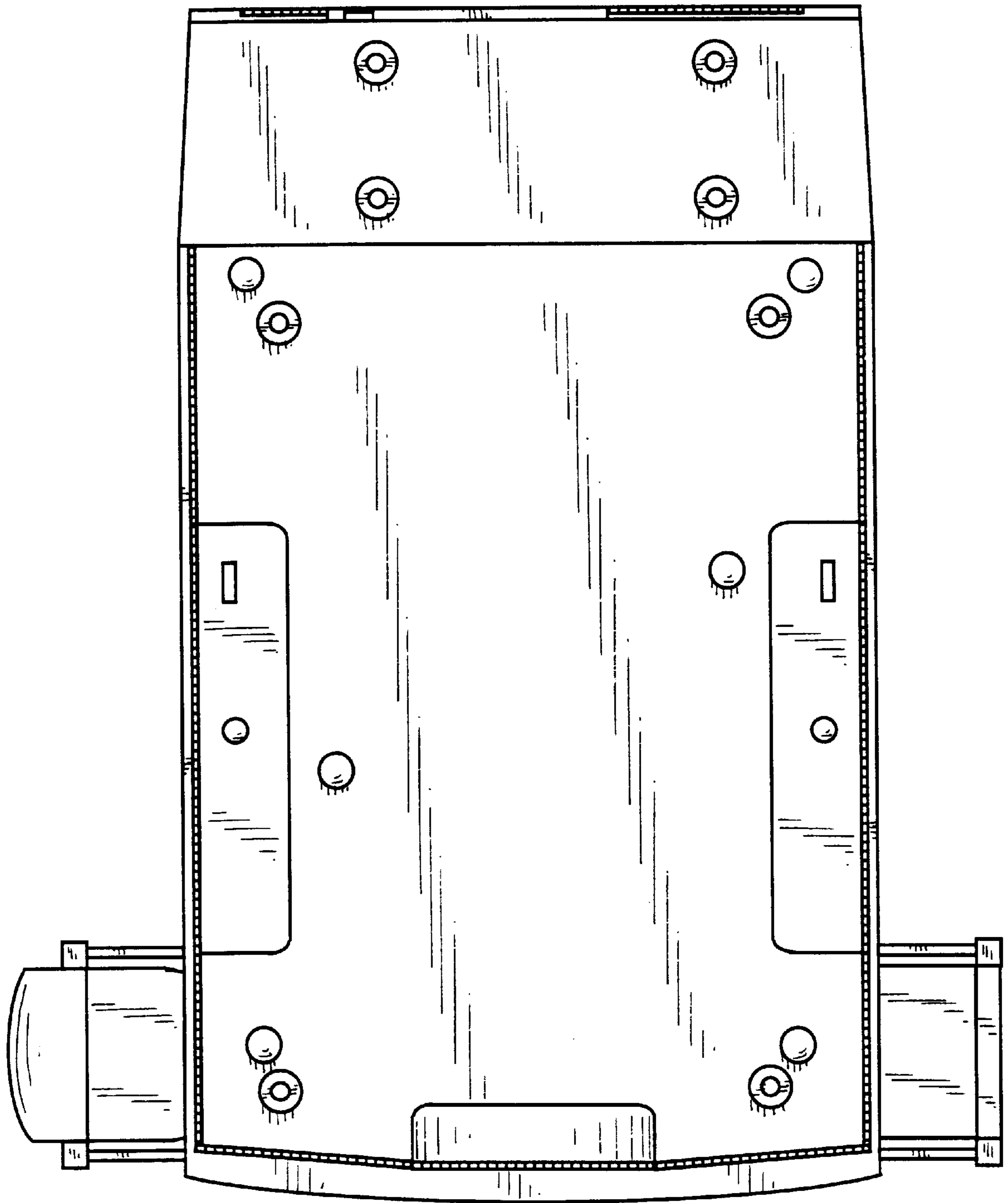


FIG. 25

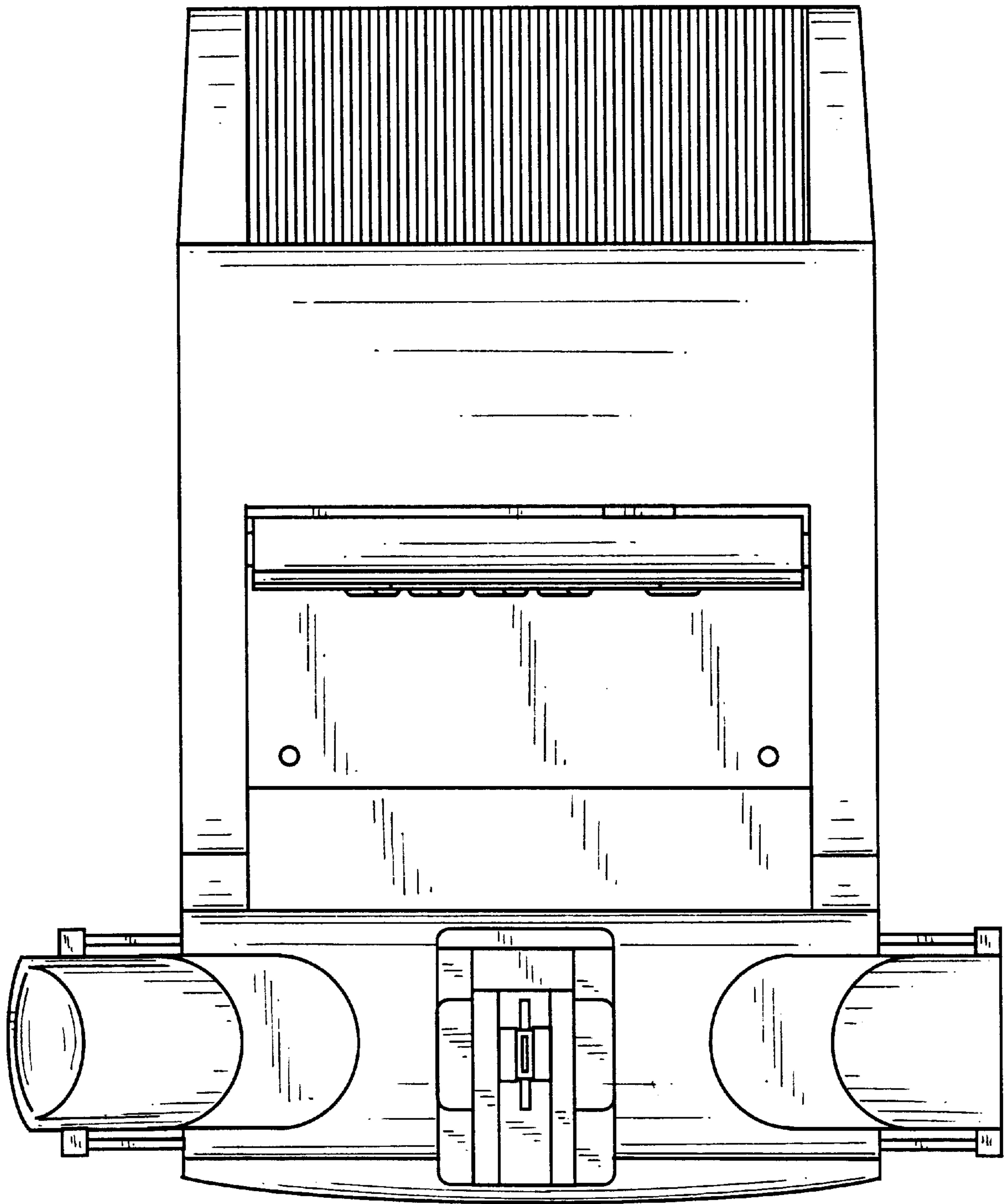


FIG. 26