



US00D411299S

United States Patent [19]

Farascioni et al.

[11] Patent Number: **Des. 411,299**

[45] Date of Patent: **** Jun. 22, 1999**

[54] **SURGICAL RETRACTOR**

[75] Inventors: **David Farascioni**, Bethel; **David A. Nicholas**, Trumbull; **Patrick Flanagan**, Stratford; **Peter Hinchliffe**, New Haven; **Richard Yagami**, Ridgefield; **Mace H. Bell, III**, Rowayton, all of Conn.

[73] Assignee: **United States Surgical Corporation**, Norwalk, Conn.

[**] Term: **14 Years**

[21] Appl. No.: **29/077,201**

[22] Filed: **Sep. 29, 1997**

Related U.S. Application Data

[63] Continuation-in-part of application No. 08/718,283, Sep. 20, 1996.

[51] **LOC (6) Cl.** **24-02**

[52] **U.S. Cl.** **D24/135**

[58] **Field of Search** D24/135, 128, D24/143, 133, 146, 147; 600/201, 206, 210, 215, 216, 226, 228

[56] References Cited

U.S. PATENT DOCUMENTS

D. 358,642 5/1995 Michelson D24/140

1,963,173	6/1934	Morin .	
2,623,517	12/1952	Barlow et al. .	
3,858,578	1/1975	Milo .	
4,048,987	9/1977	Hurson .	
4,122,844	10/1978	Rabban .	
4,754,746	7/1988	Cox .	
4,765,311	8/1988	Kulik et al. .	
5,167,223	12/1992	Koros et al. .	
5,514,157	5/1996	Nicholas et al.	600/206
5,803,902	9/1998	Sienkiewicz et al.	600/203

Primary Examiner—Stella Reid
Assistant Examiner—I Simmons

[57] CLAIM

The ornamental design for a surgical retractor, as shown and described.

DESCRIPTION

FIG. 1 is a perspective view of a surgical retractor showing our new design.
FIG. 2 is a front view thereof.
FIG. 3 is a top view thereof.
FIG. 4 is a left side view thereof.
FIG. 5 is a right side view thereof.
FIG. 6 is a back view thereof; and,
FIG. 7 is a bottom view thereof.

1 Claim, 2 Drawing Sheets

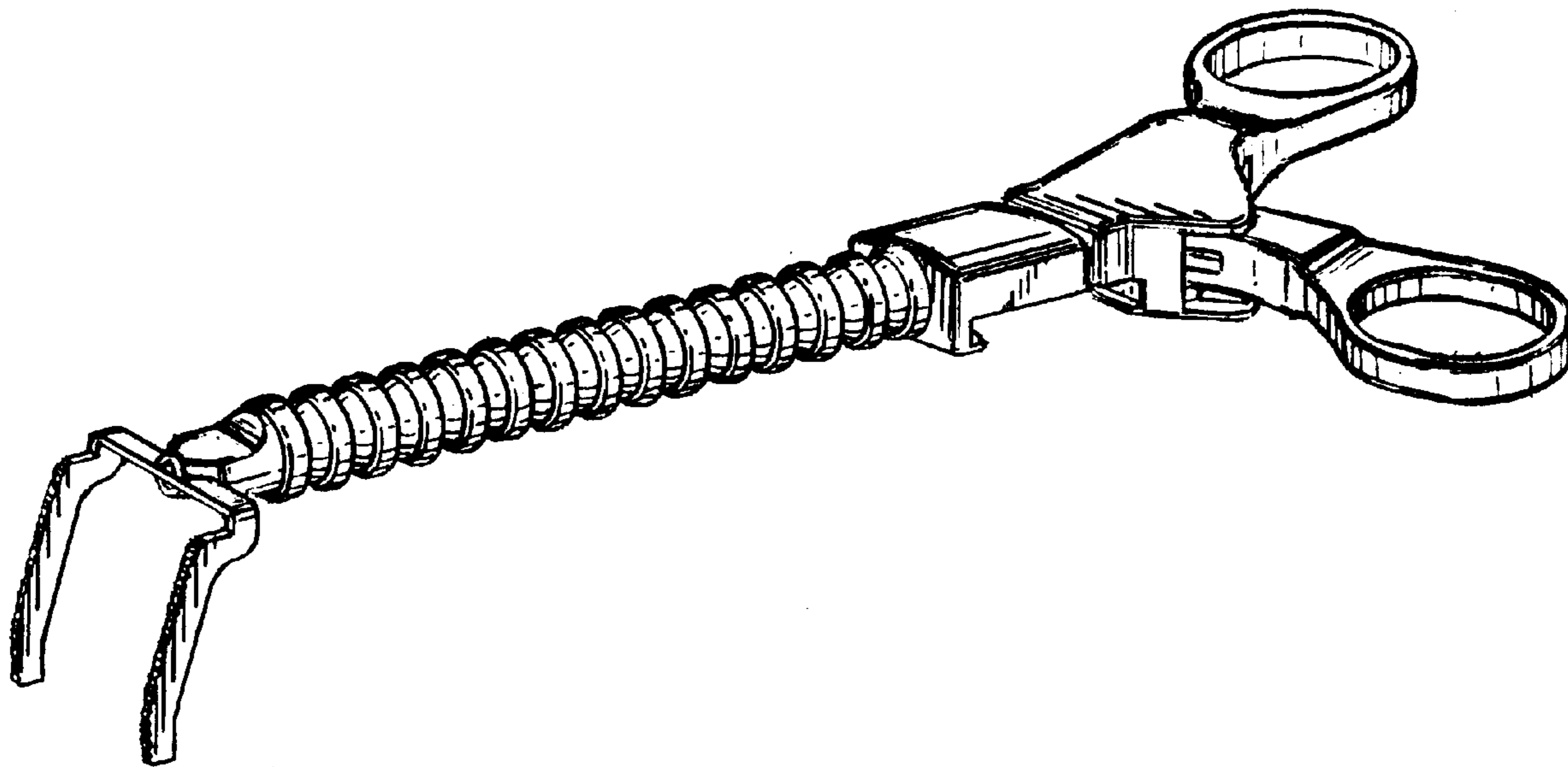


FIG. 1

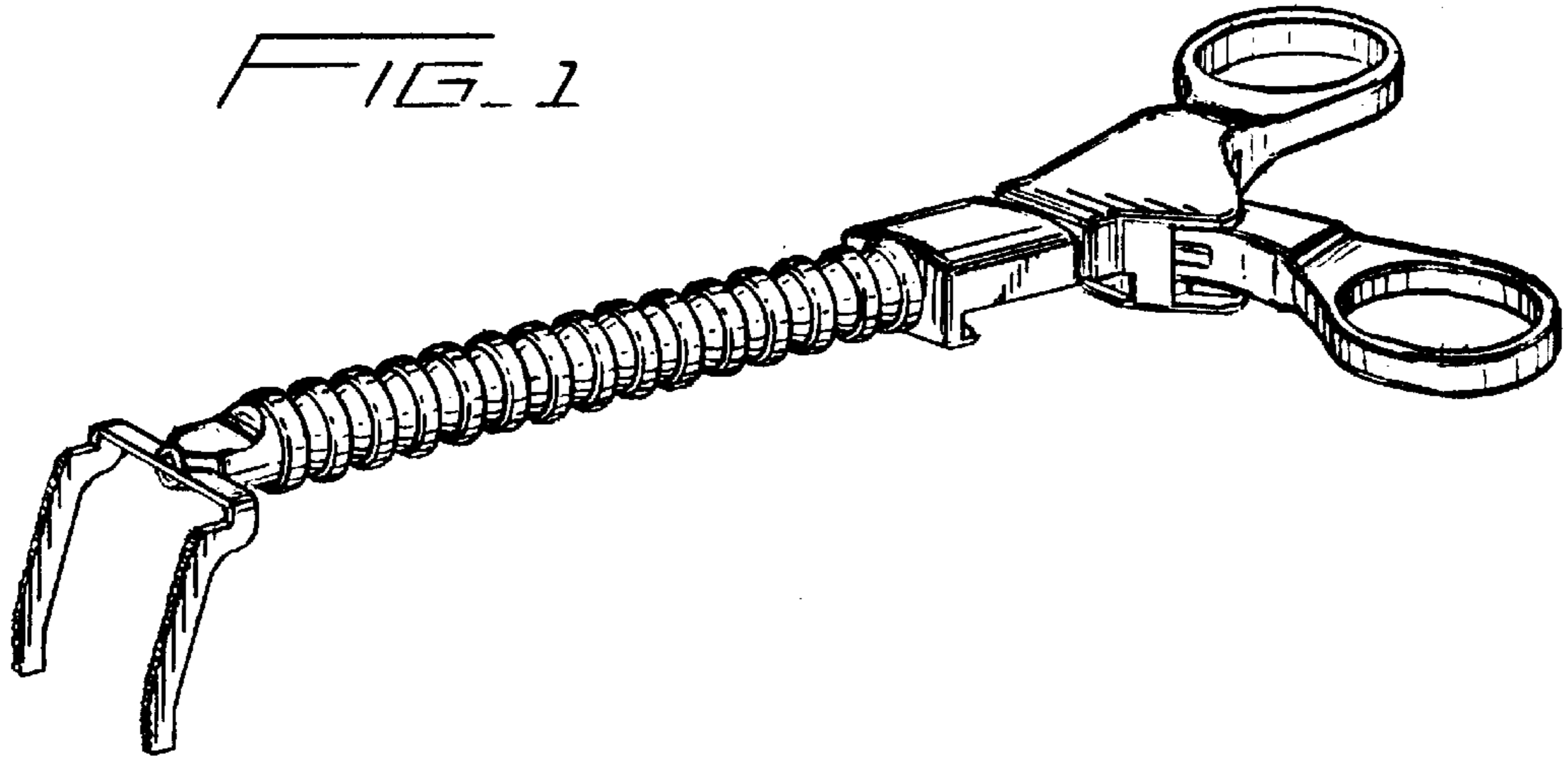


FIG. 2

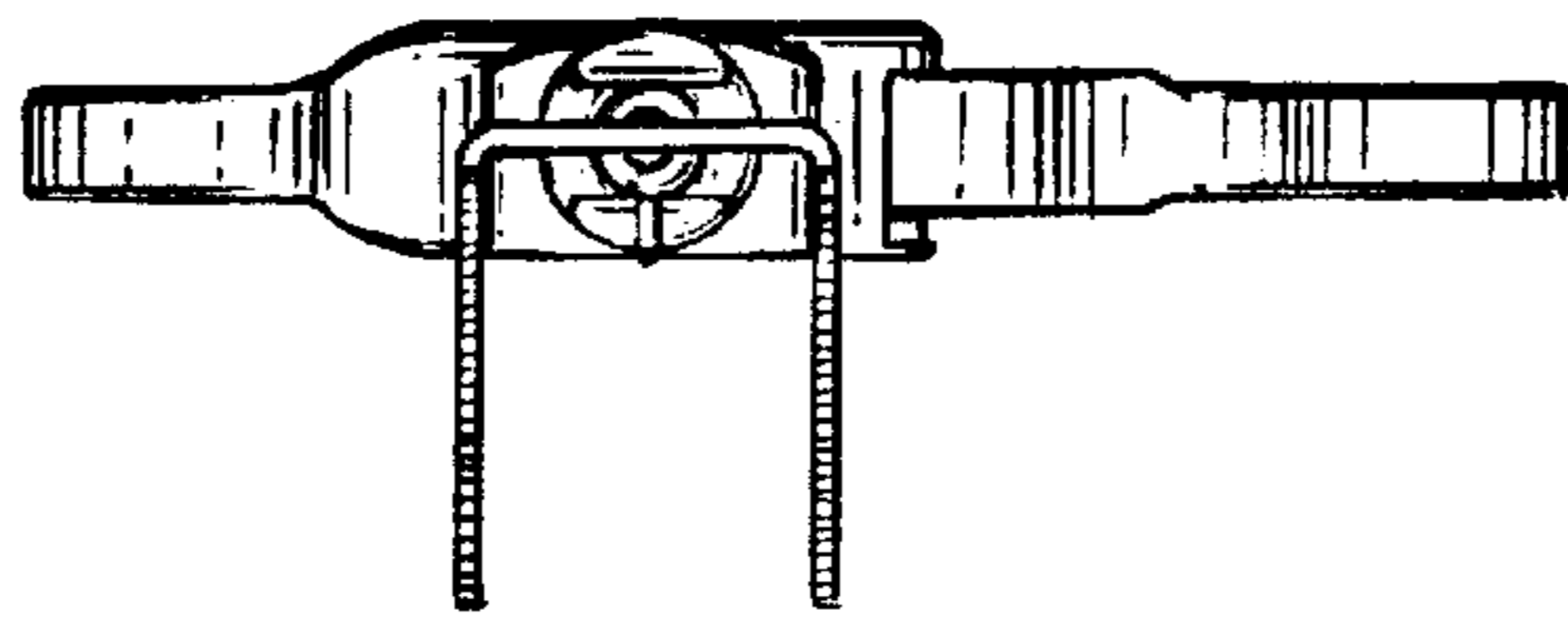
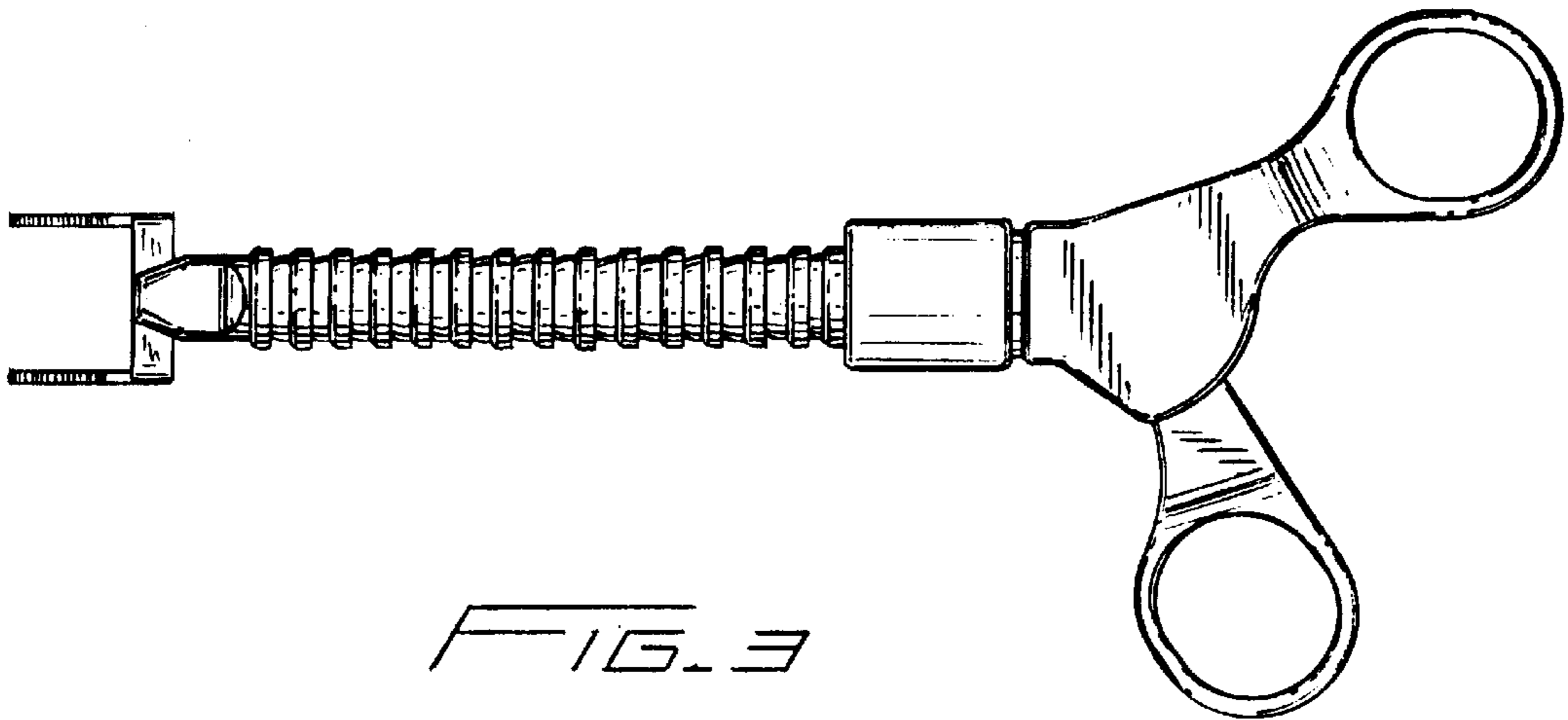


FIG. 3



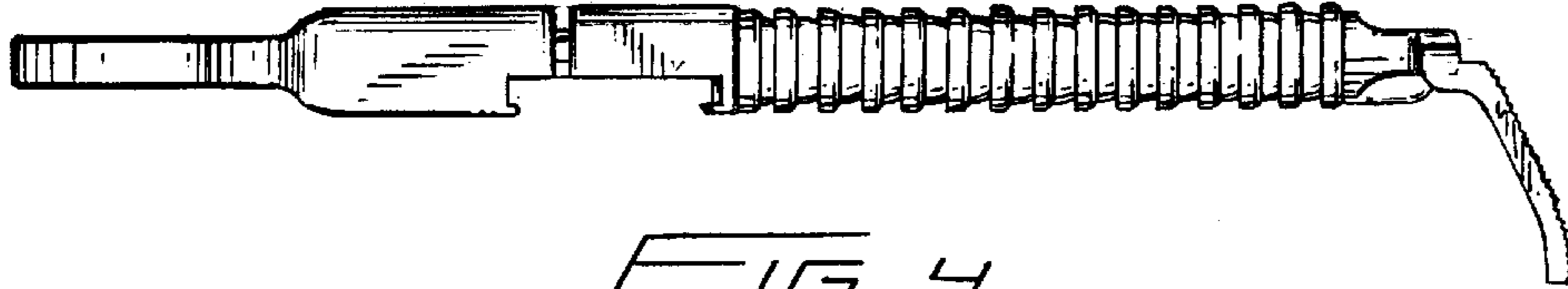


FIG. 4

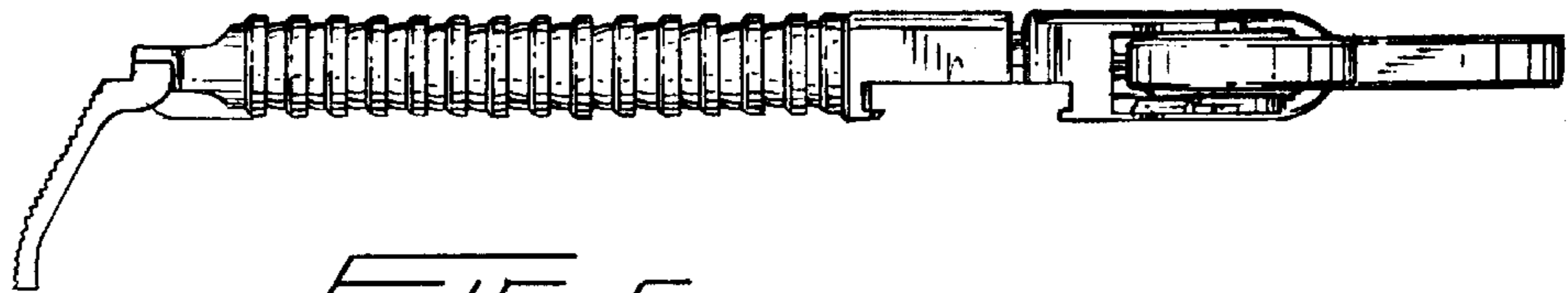


FIG. 5

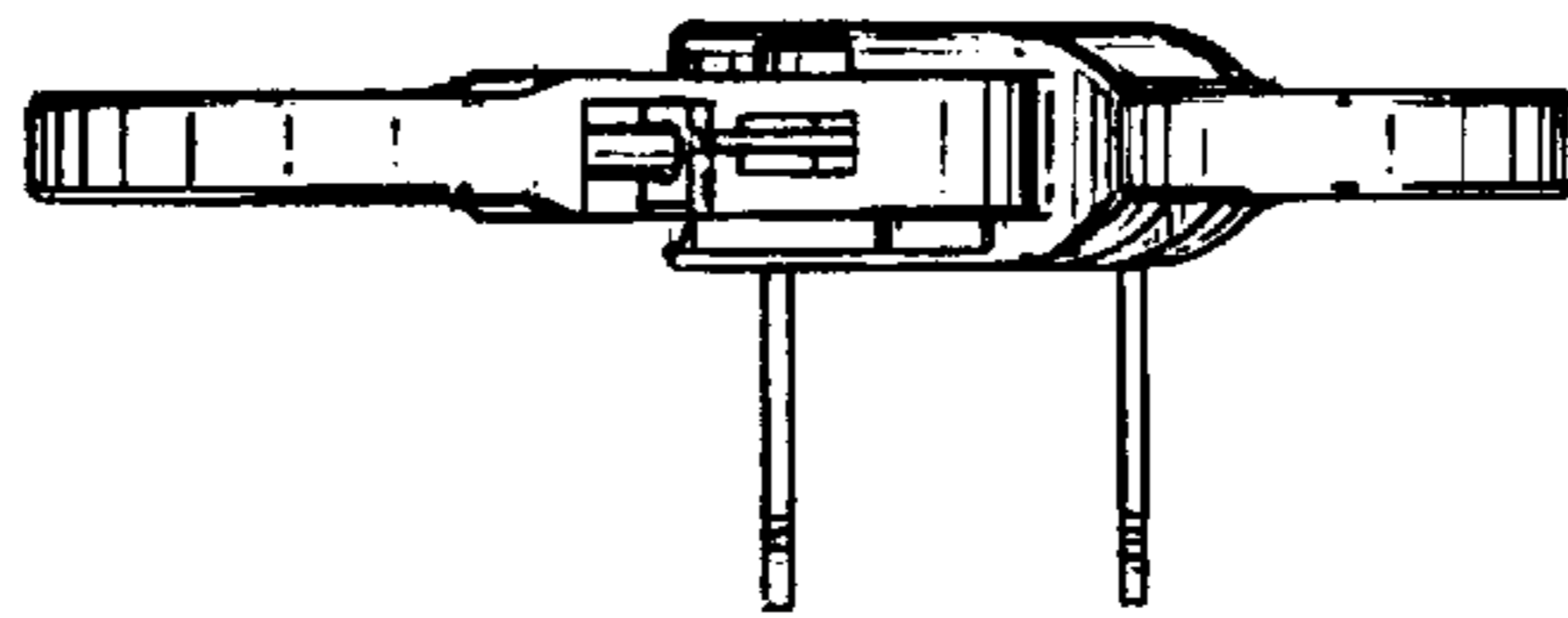


FIG. 6

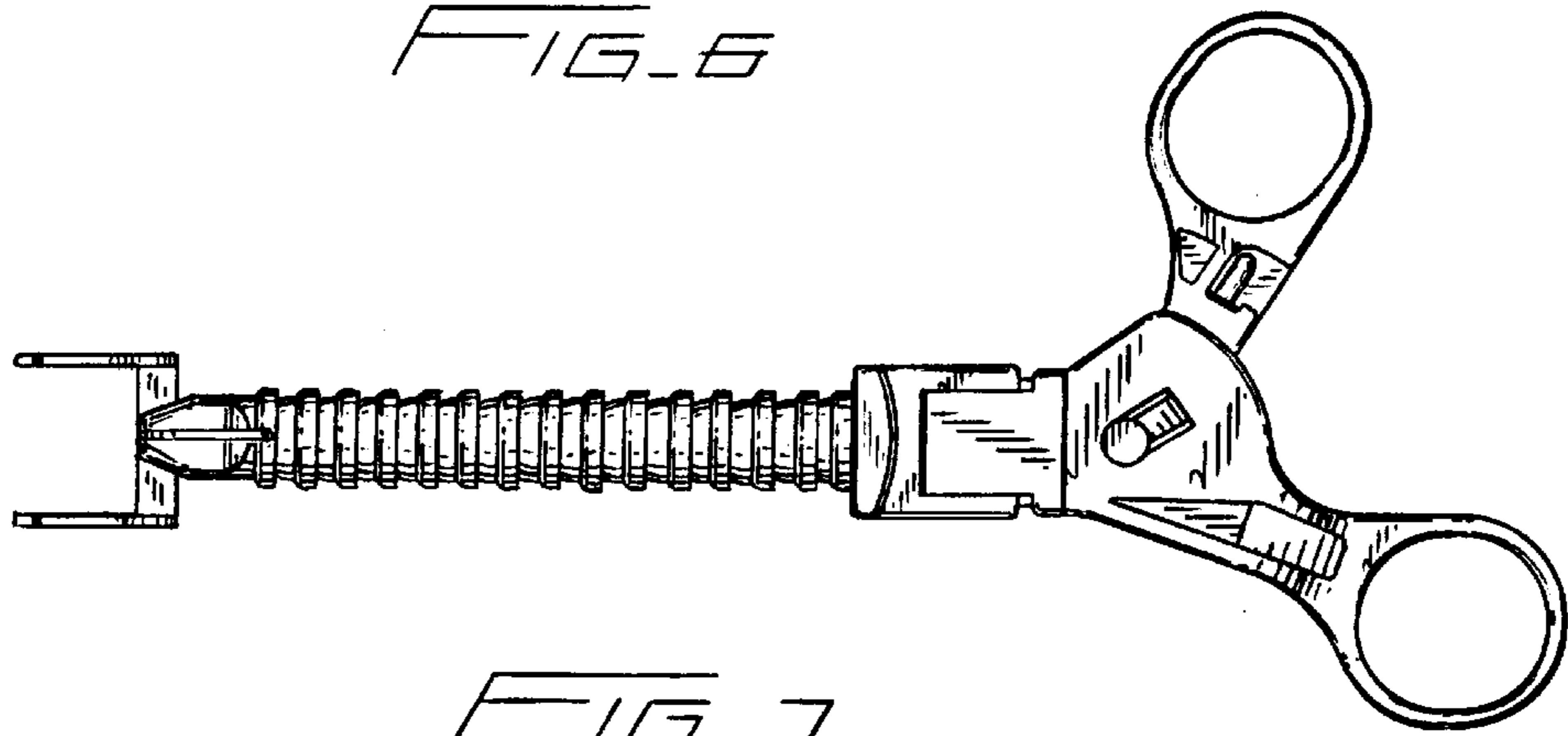


FIG. 7