



US00D411297S

United States Patent [19]

Rosiello et al.

[11] **Patent Number: Des. 411,297**

[45] **Date of Patent: ** Jun. 22, 1999**

[54] **OXYGEN MASK**

D. 389,238 1/1998 Kirk, III et al. D24/110.4
5,738,094 4/1998 Holtman 128/206.28 X

[76] Inventors: **Richard L. Rosiello**, 768 Knollwood La., San Dimas, Calif. 91773; **Richard A. Black**, 445 S. Ranch View Cir. #71, Anaheim Hills, Calif. 92807

Primary Examiner—Stella Reid
Assistant Examiner—I Simmons
Attorney, Agent, or Firm—Loeb & Loeb LLP

[**] Term: **14 Years**

[57] CLAIM

[21] Appl. No.: **29/077,783**

The ornamental design for an oxygen mask, as shown and described.

[22] Filed: **Oct. 15, 1997**

DESCRIPTION

[51] **LOC (6) Cl.** **29-02**

FIG. 1 is a side perspective view of the oxygen mask of my claimed design;

[52] **U.S. Cl.** **D24/110.4; D24/110.1**

FIG. 2 is a front elevational view thereof

[58] **Field of Search** D24/110.1, 110.4, D24/110.5; 128/207.13, 205.25, 206.12, 206.24, 206.28

FIG. 3 is a left side elevational view thereof, the right side elevational view being a mirror image thereof;

FIG. 4 is a top plan view thereof;

FIG. 5 is a bottom plan view thereof; and,

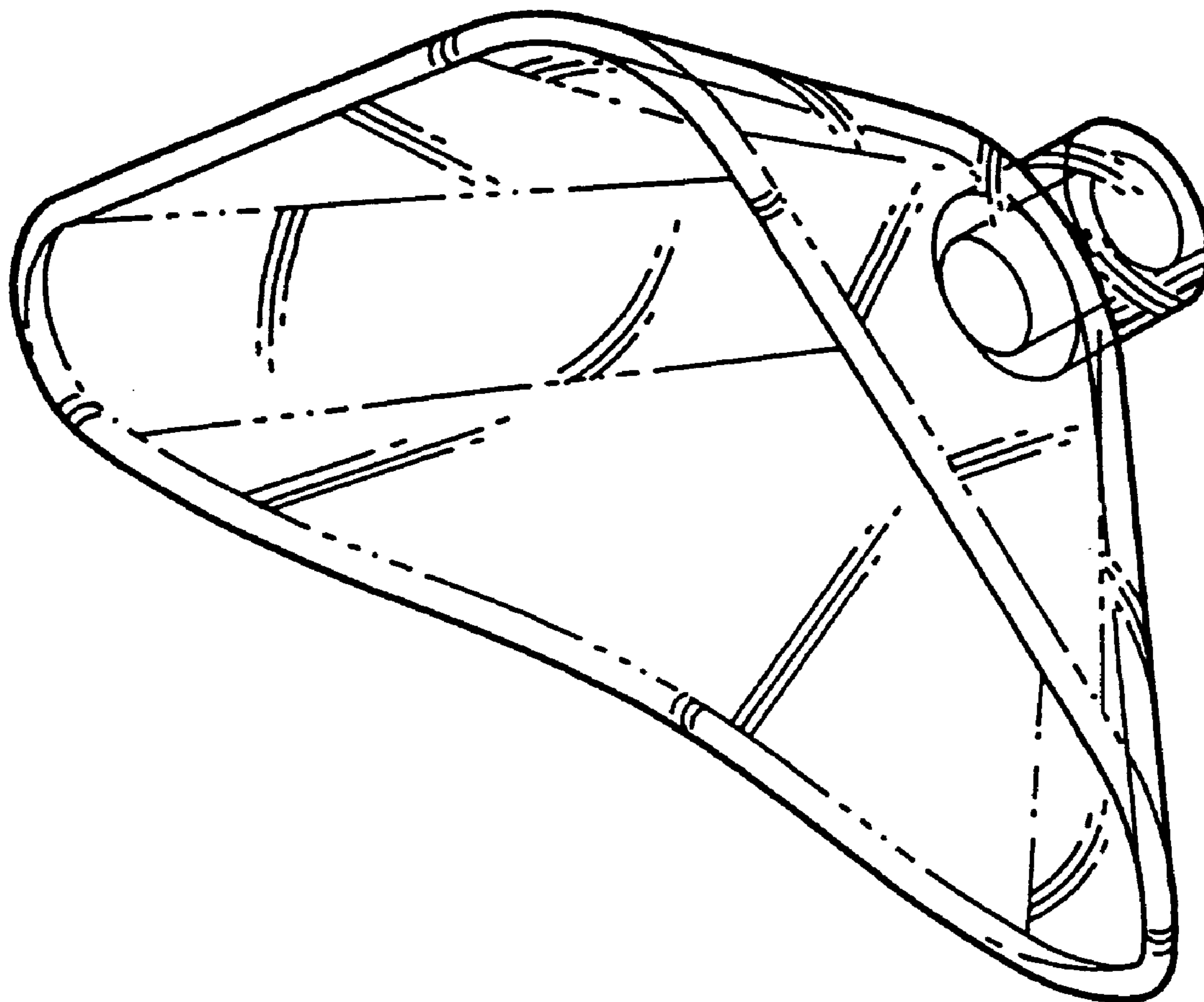
FIG. 6 rear elevational view thereof.

[56] References Cited

U.S. PATENT DOCUMENTS

D. 384,147 9/1997 Karlsson et al. D24/110.4
D. 388,873 1/1998 Richards et al. D24/110.4

1 Claim, 2 Drawing Sheets



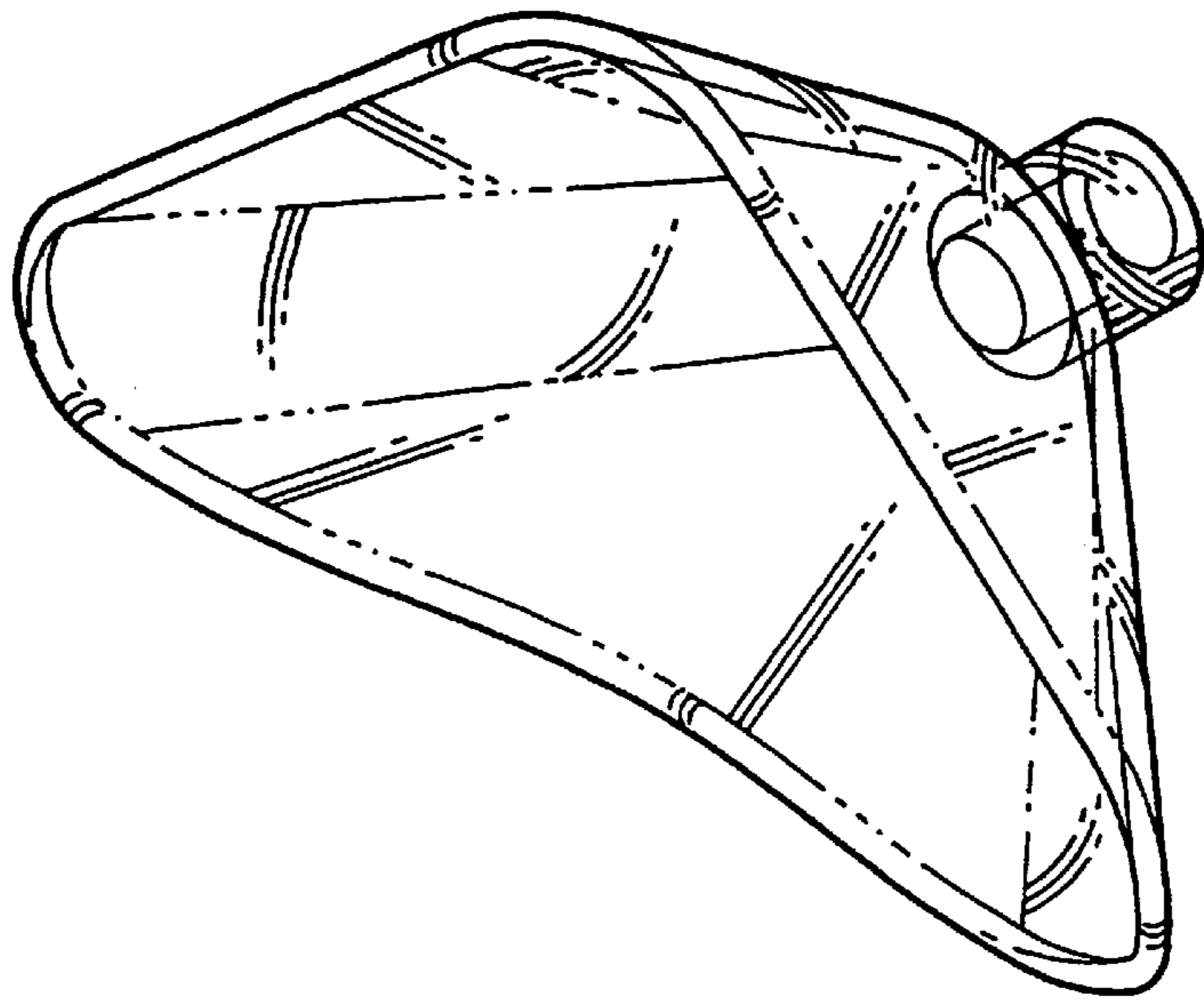


FIG. 1

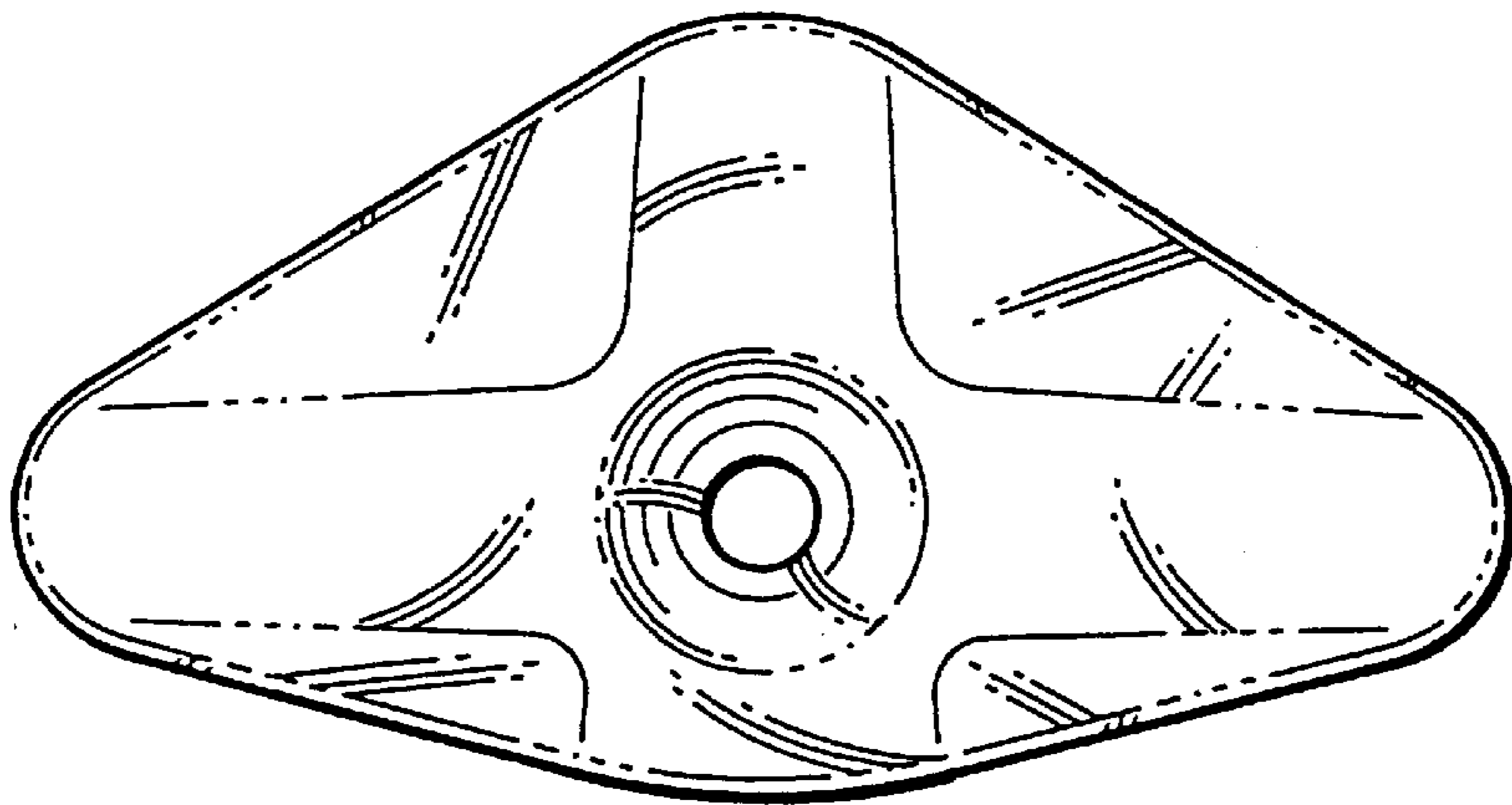


FIG. 2

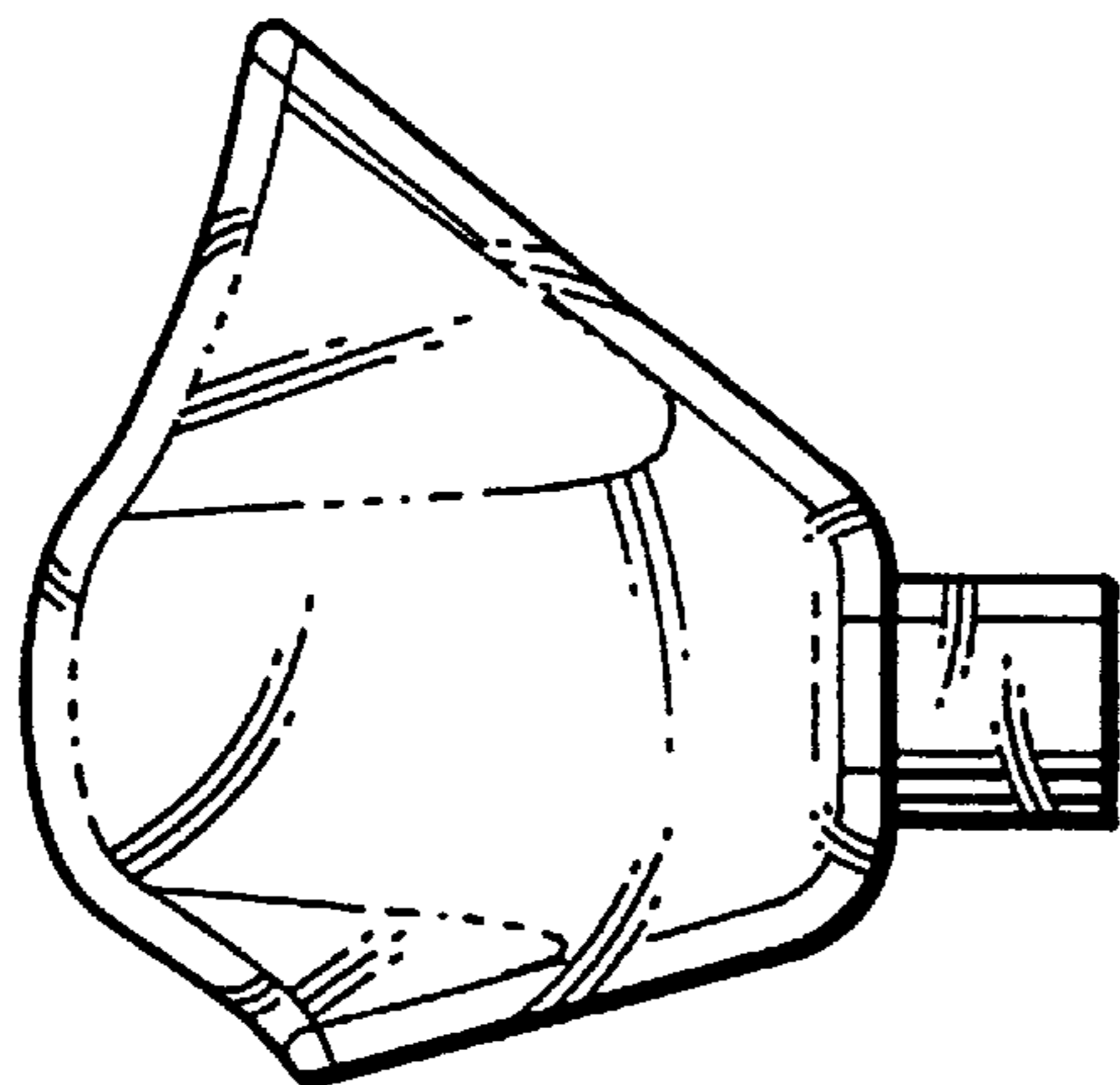


FIG. 3

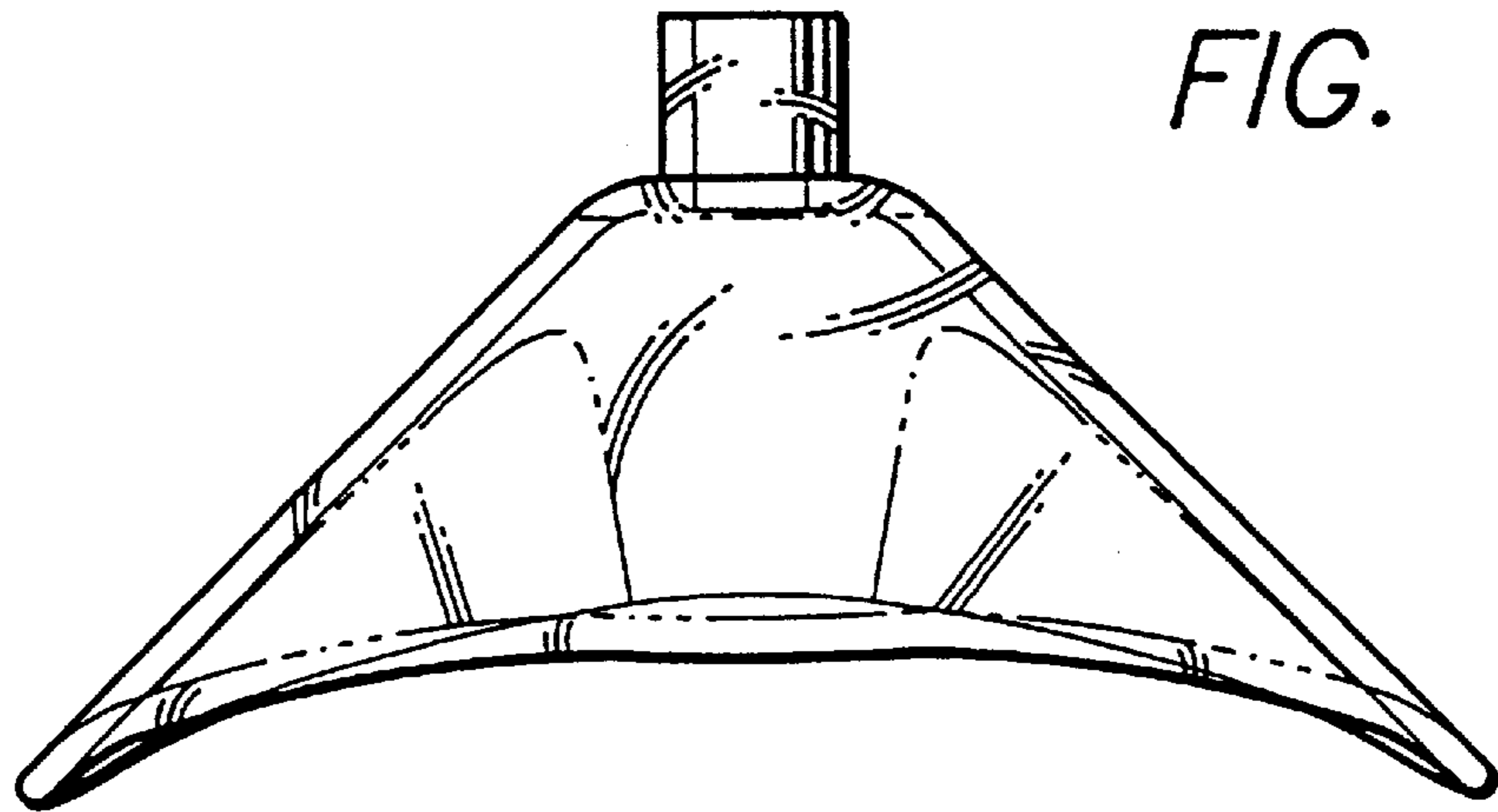


FIG. 4

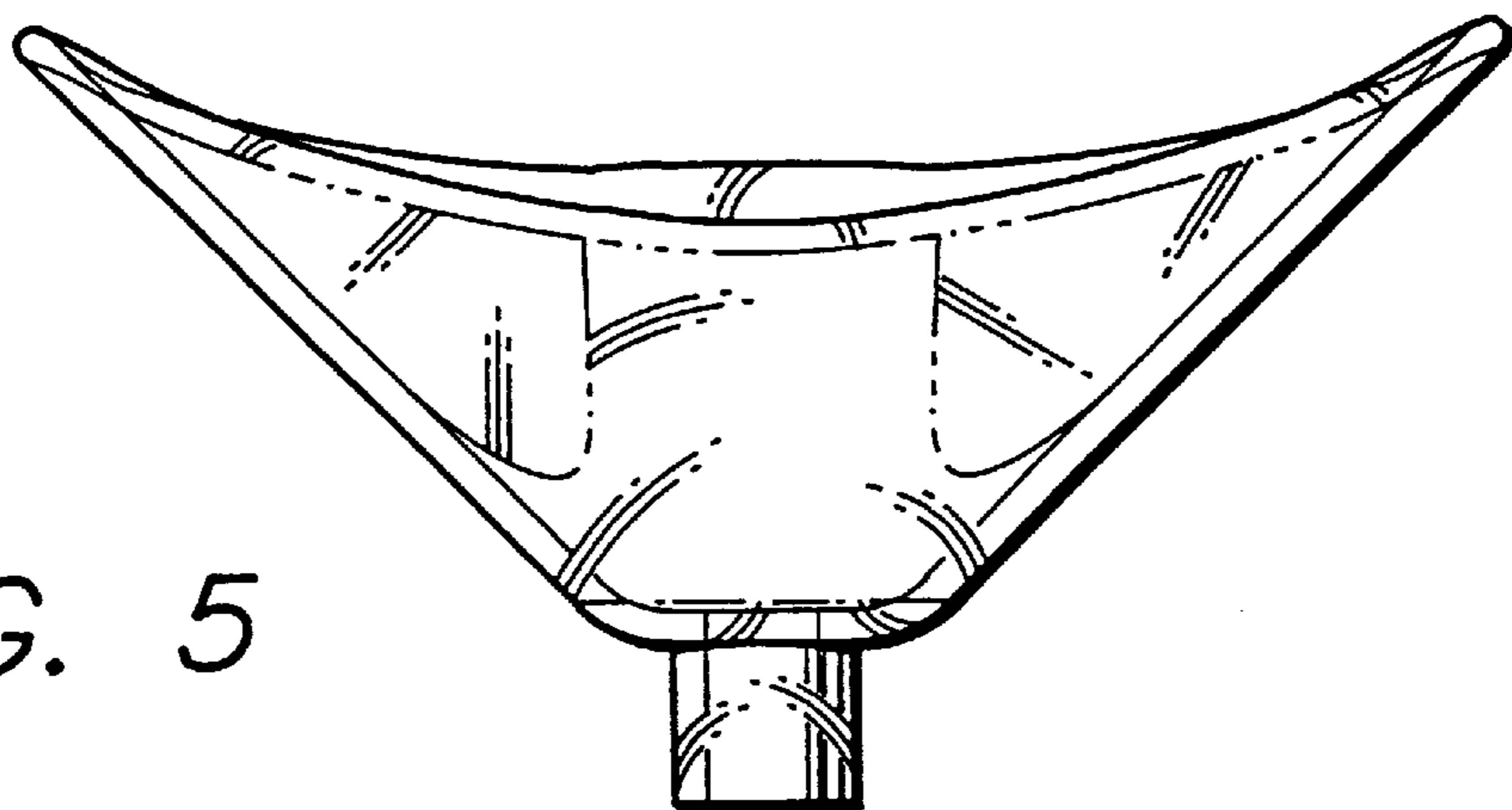


FIG. 5

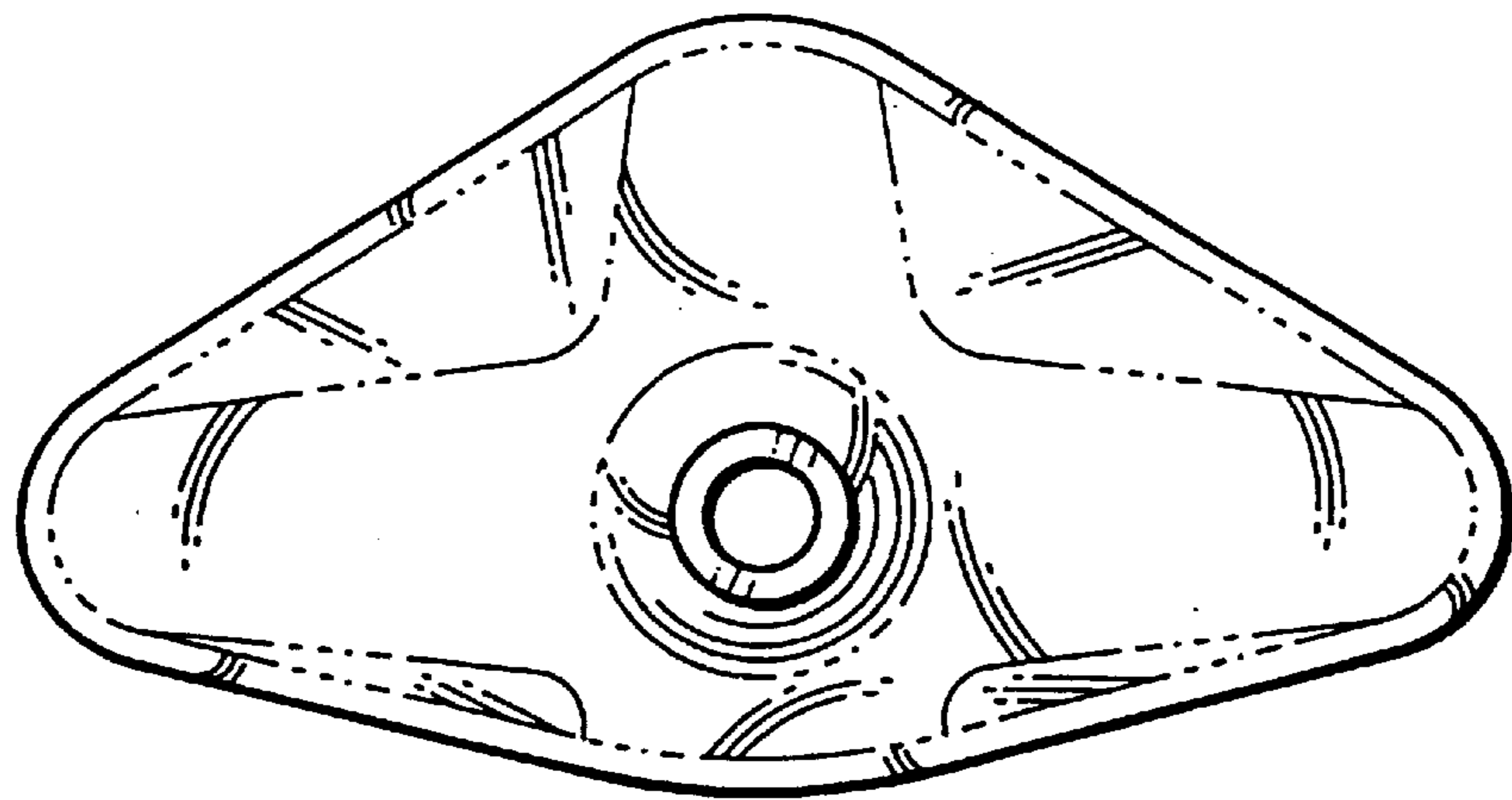


FIG. 6