



US00D411295S

**United States Patent** [19]  
**Evans**

[11] **Patent Number: Des. 411,295**  
[45] **Date of Patent: \*\* Jun. 22, 1999**

[54] **COMBINED MOTOR HOUSING, SWITCH HOUSING AND BLADE IRONS UNIT FOR A CEILING FAN**

*Primary Examiner*—Lisa Lichtenstein  
*Attorney, Agent, or Firm*—Baker, Donelson Bearman & Caldwell

[75] Inventor: **Richard O. Evans**, Memphis, Tenn.

[57] **CLAIM**

[73] Assignee: **Hunter Fan Company**, Memphis, Tenn.

The ornamental design for a combined motor housing, switch housing and blade irons unit for a ceiling fan, as shown and described.

[\*\*] Term: **14 Years**

**DESCRIPTION**

[21] Appl. No.: **29/091,827**

FIG. 1 is a perspective view of a combined motor housing, switch housing and blade irons unit for a ceiling fan showing my new design;

[22] Filed: **Aug. 6, 1998**

FIG. 2 is a perspective view of the design shown in FIG. 1 with the environmental structure removed therefrom;

[51] **LOC (6) Cl. .... 23-04**

[52] **U.S. Cl. .... D23/411; D23/377; D23/385**

FIG. 3 is a front view thereof;

[58] **Field of Search .... D23/377, 379, D23/385, 411; 416/5; 392/364; 362/96; D26/81-88, 86, 51, 59, 72**

FIG. 4 is a right-side view thereof;

FIG. 5 is a rear view thereof;

FIG. 6 is a left-side view thereof;

FIG. 7 is a top view thereof; and,

FIG. 8 is a bottom view thereof.

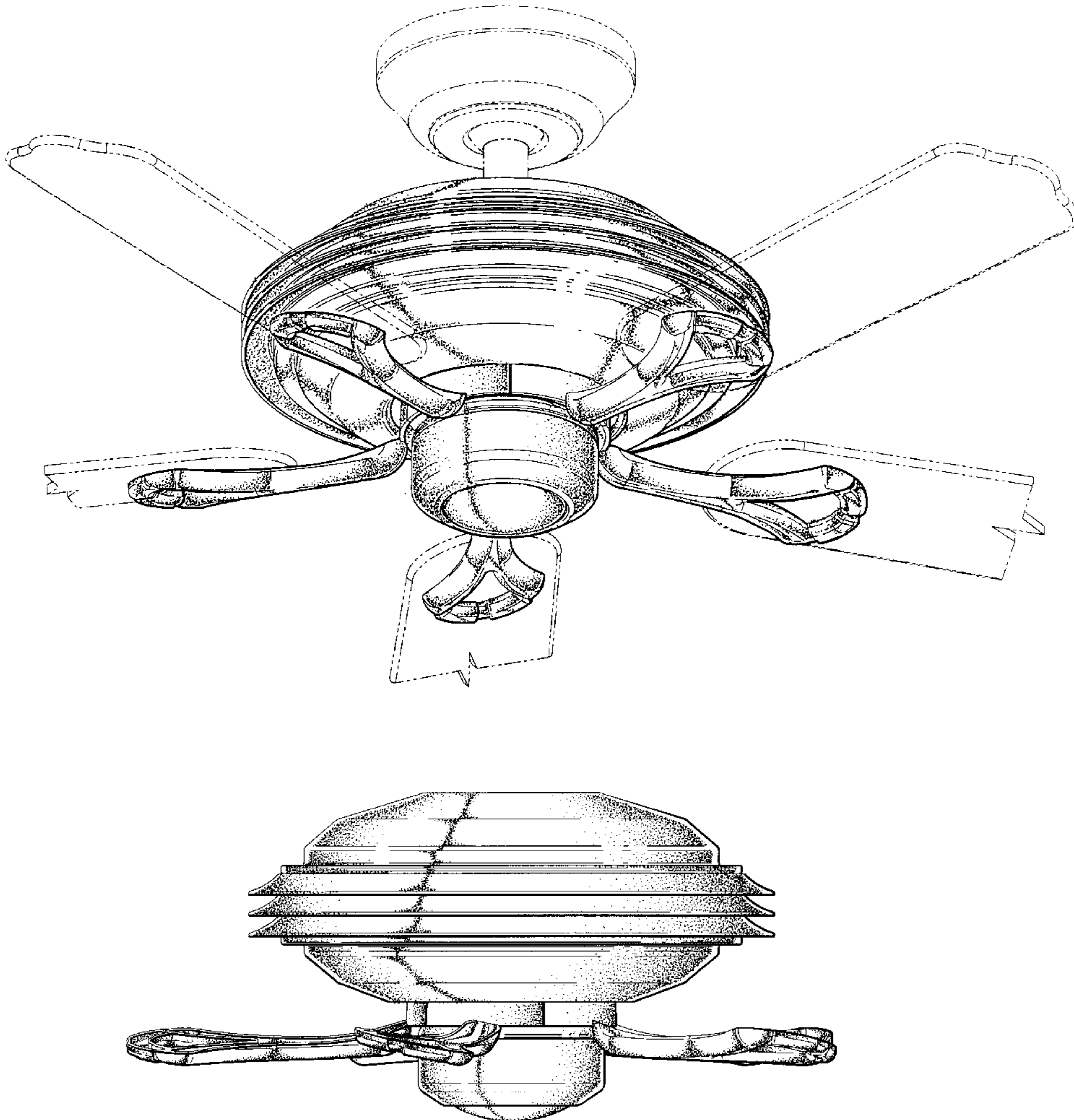
[56] **References Cited**

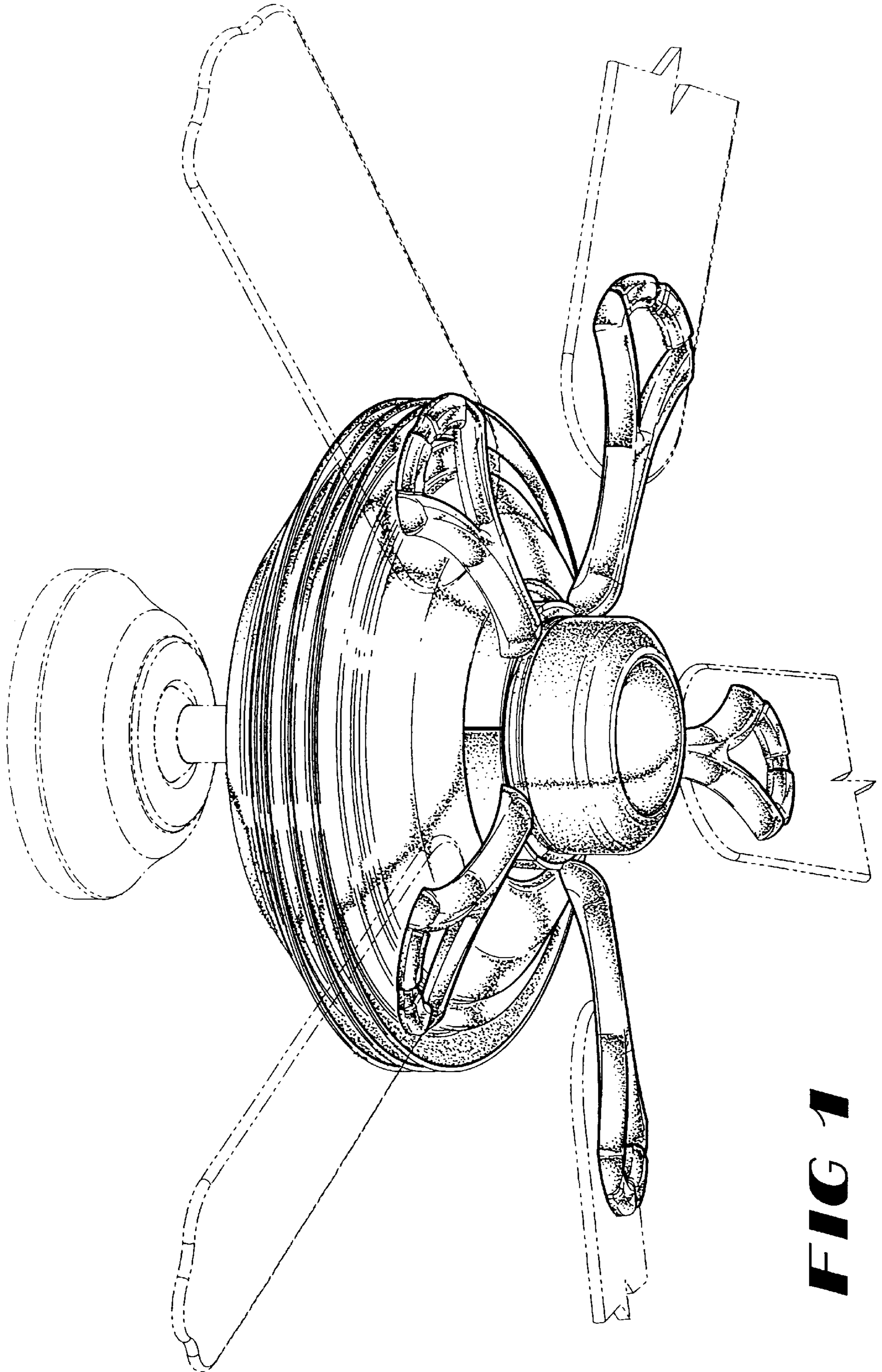
**U.S. PATENT DOCUMENTS**

D. 312,688	12/1990	Mason	.....	D23/377
D. 329,894	9/1992	Scotfield	.....	D23/377
D. 376,004	11/1996	Tsuji	.....	D23/377

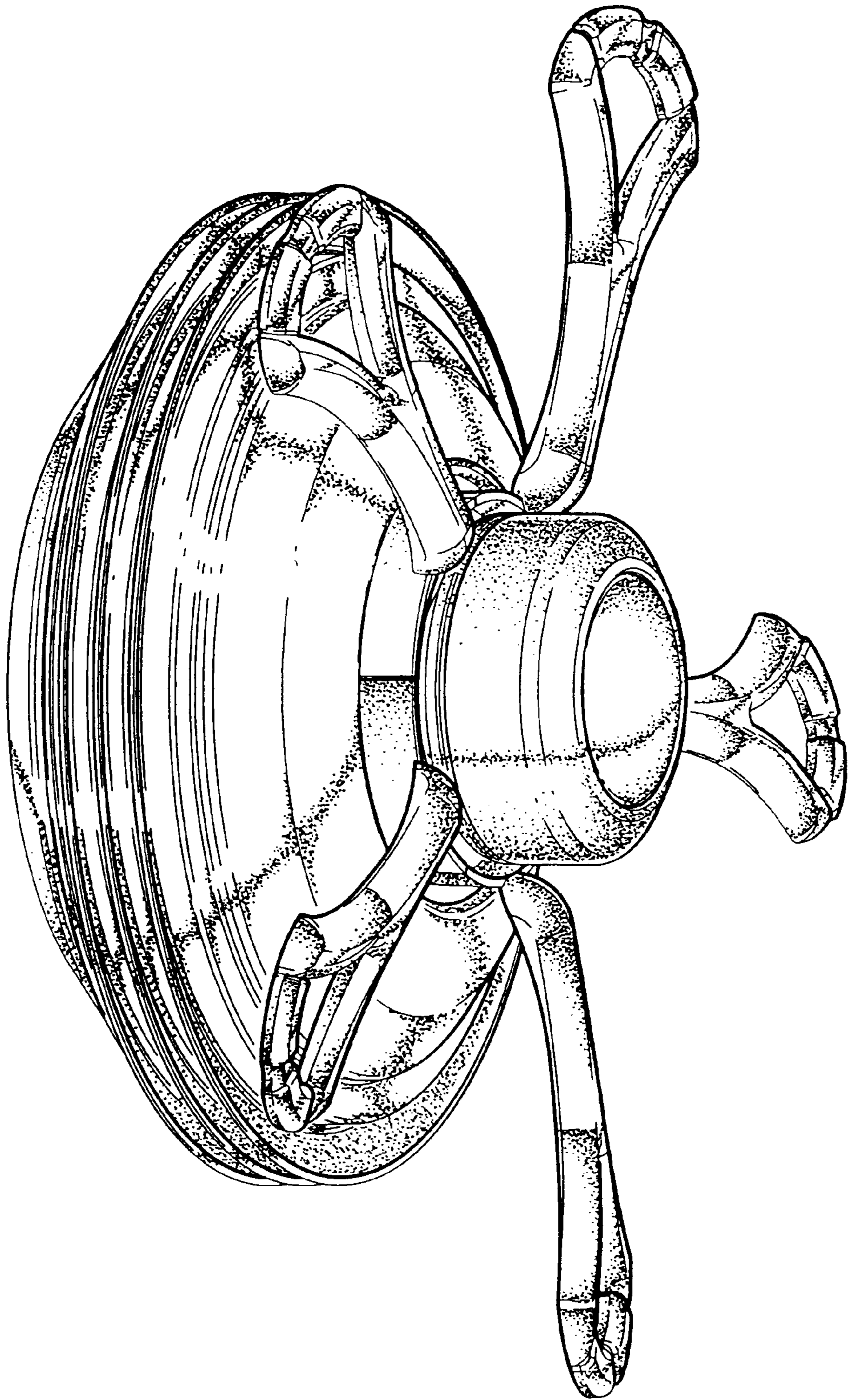
The broken-line showing of environmental structure in FIG. 1 is for illustrative purposes only and forms no part of the claimed design.

**1 Claim, 8 Drawing Sheets**

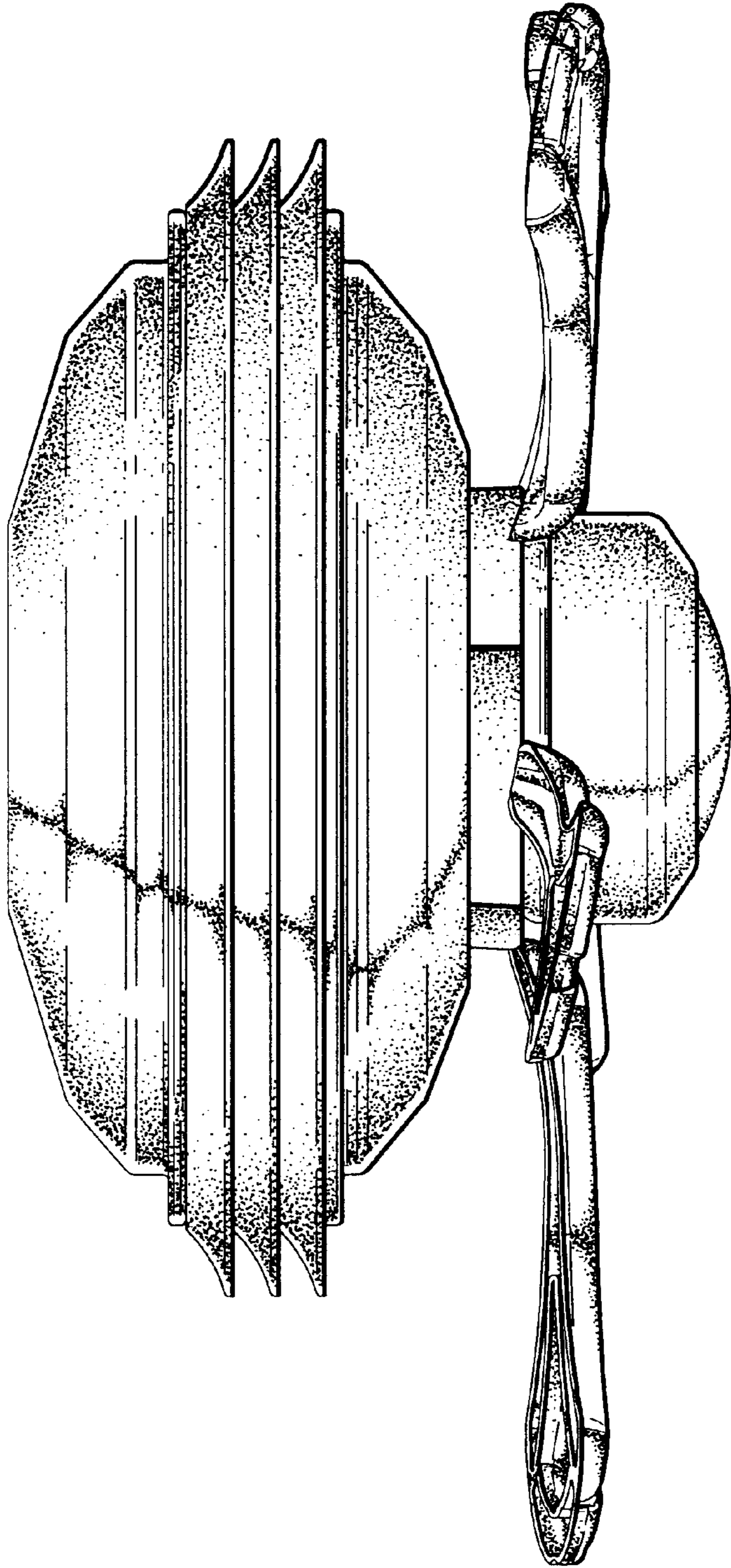




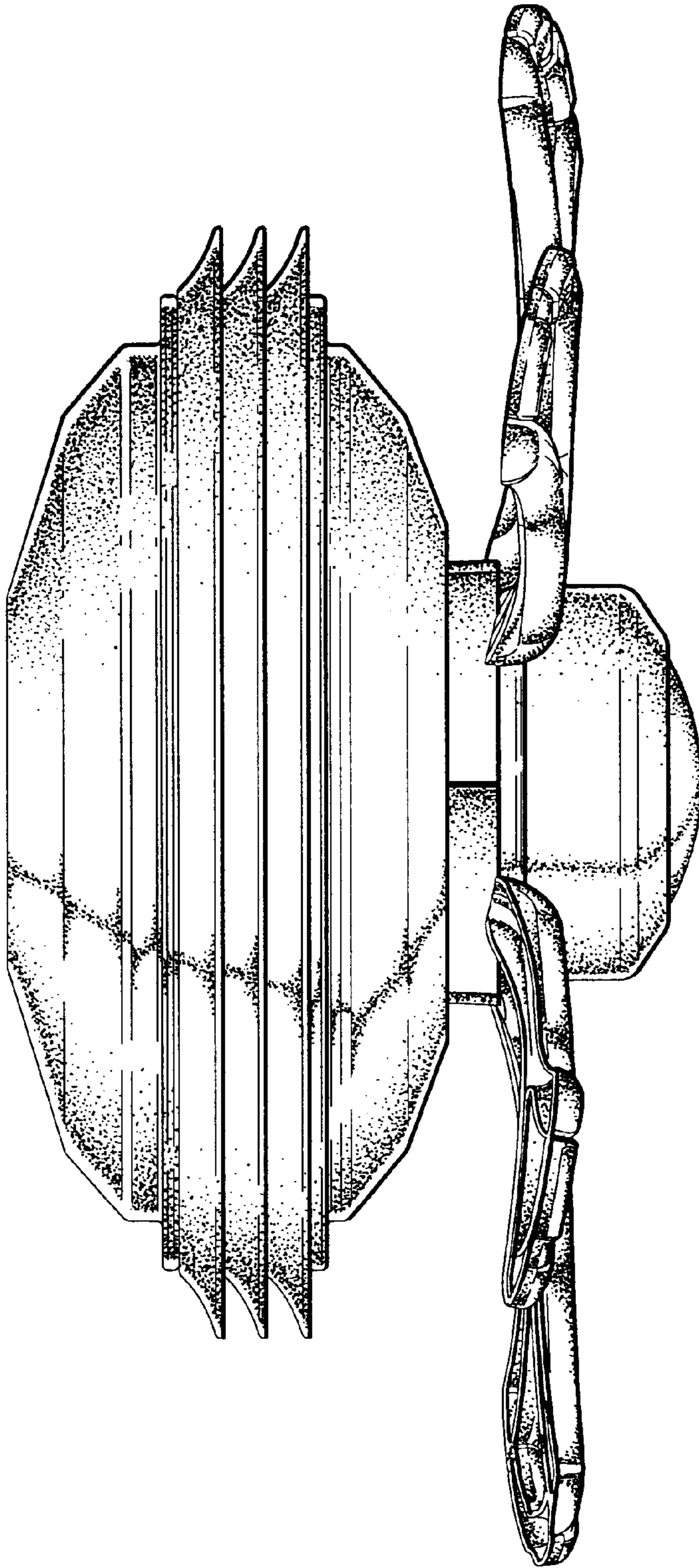
**FIG 1**



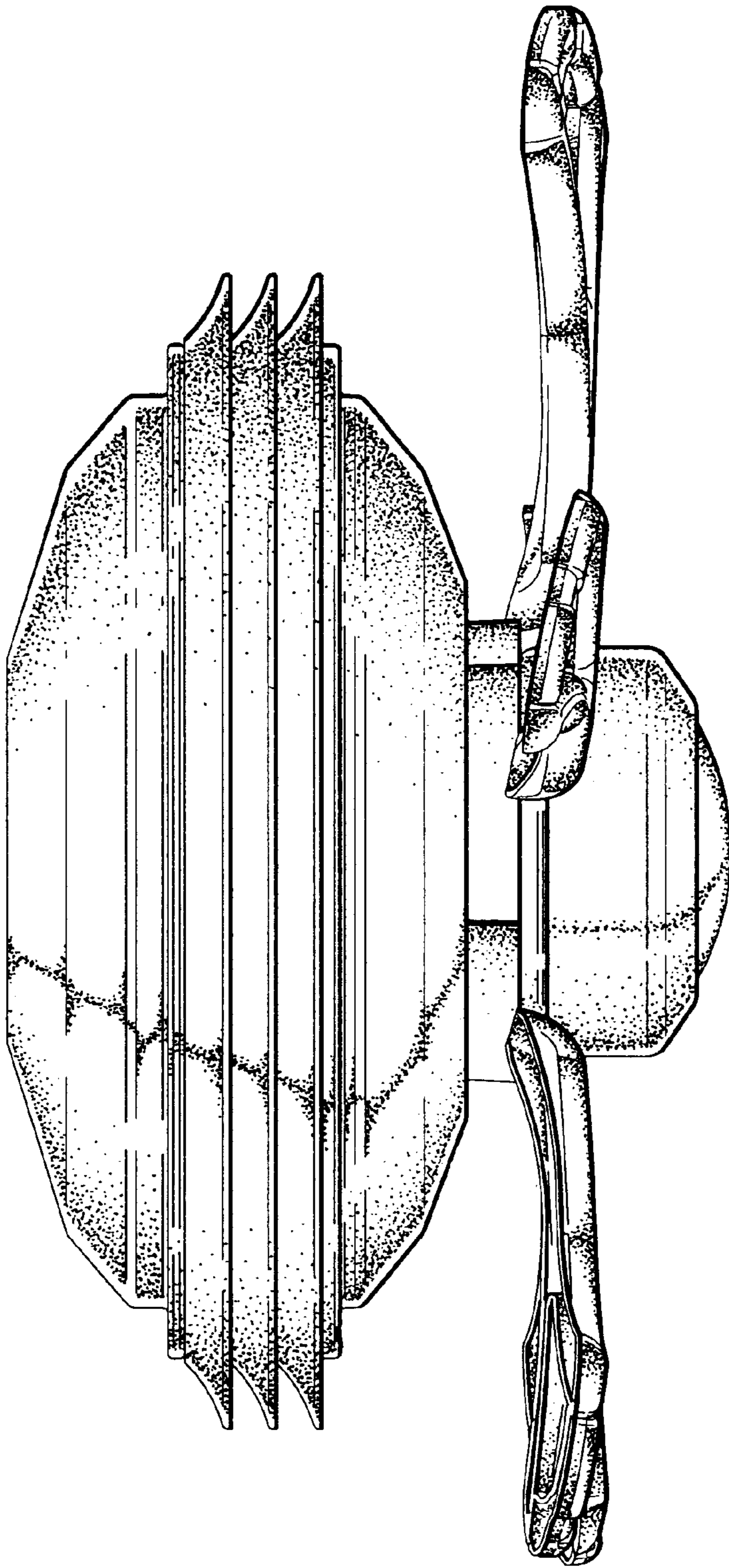
**FIG 2**



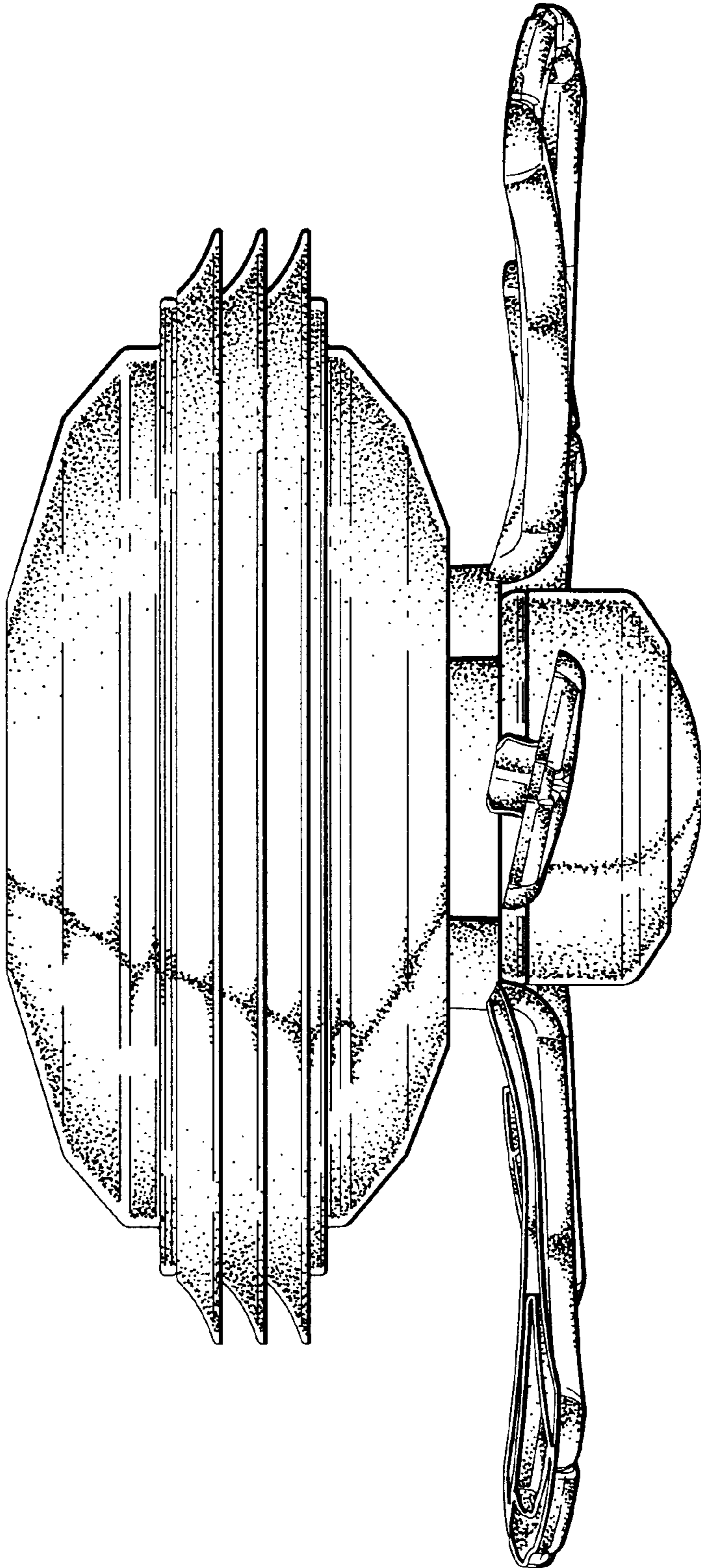
**FIG 3**



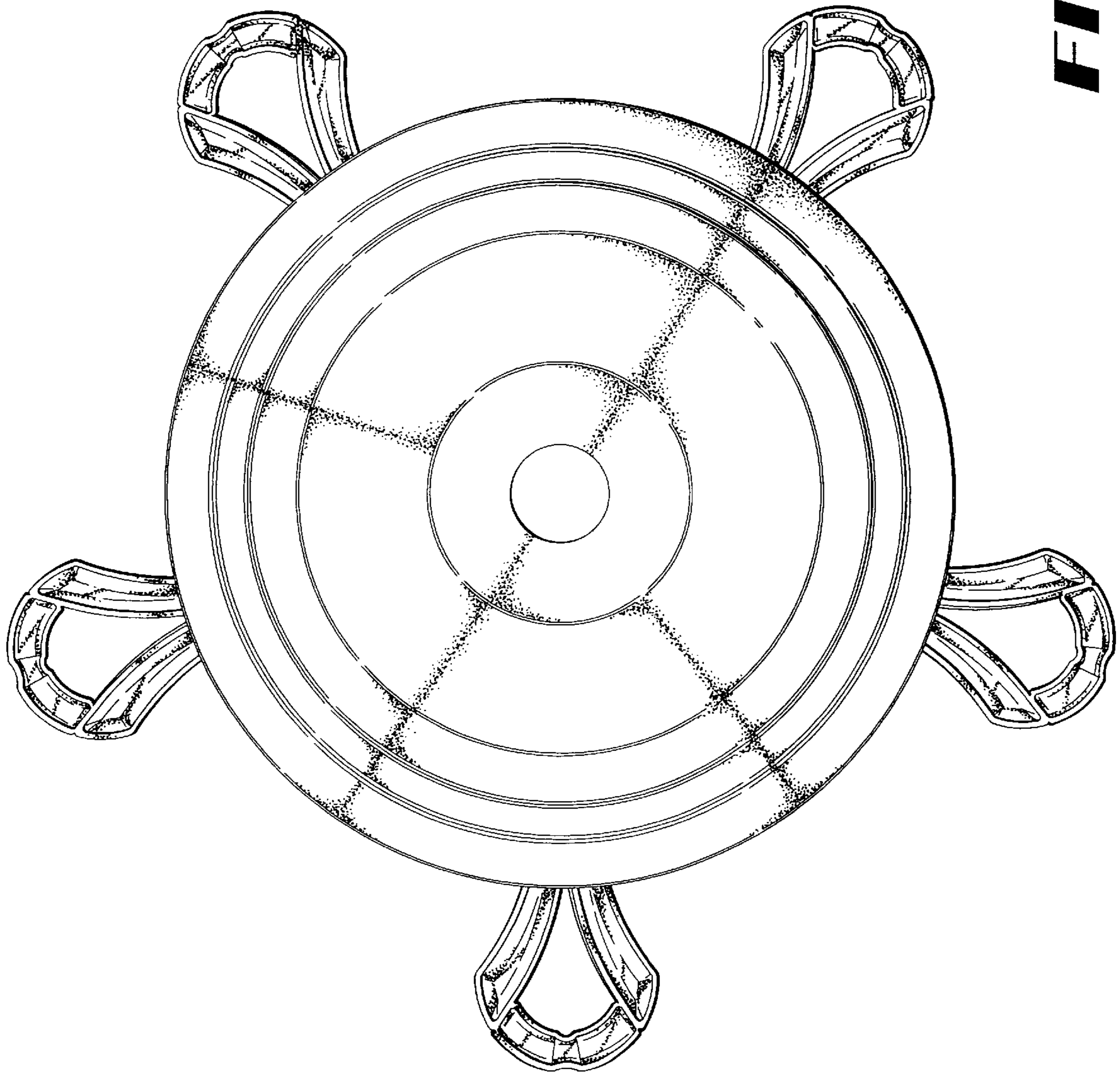
**FIG 4**



**FIG 5**

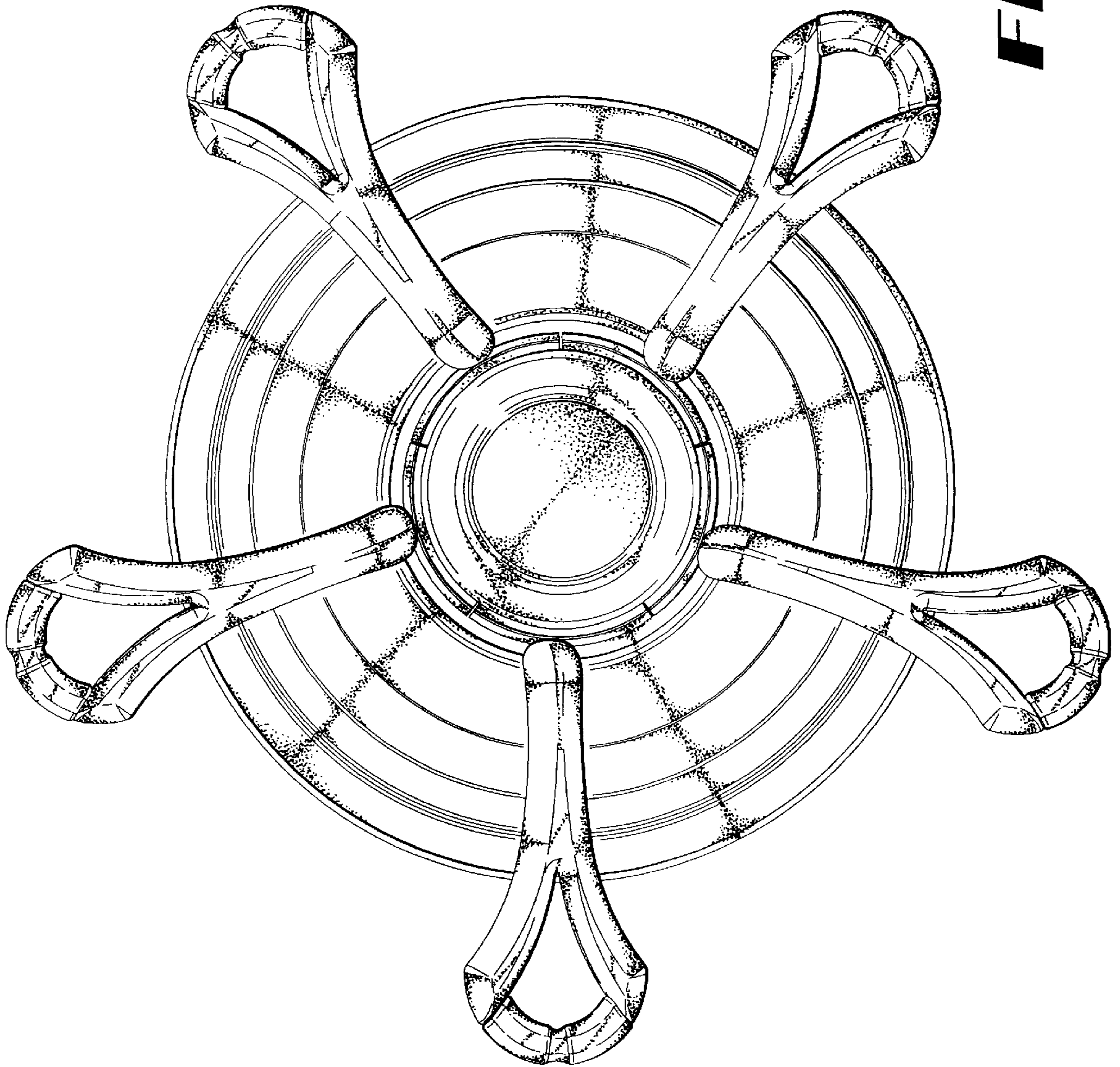


**FIG 6**



**FIG 7**





**FIG 8**