



US00D411289S

**United States Patent** [19]  
**Piterski et al.**

[11] **Patent Number: Des. 411,289**  
[45] **Date of Patent: \*\* Jun. 22, 1999**

[54] **CORNER SINK**

**OTHER PUBLICATIONS**

[76] Inventors: **Paul J. Piterski; Brahm H. Piterski**,  
both of 737 Bay Vista Blvd. South, St.  
Petersburg, Fla. 33705

“Residential & Commercial Sinks & Accessories”, Elkay  
Mfg. Co., Catalog CS-16, p. 34, Apr., 1996.

[\*\*] Term: **14 Years**

*Primary Examiner*—Louis S. Zarfes  
*Assistant Examiner*—Eric M. Watterson  
*Attorney, Agent, or Firm*—David Kiewit

[21] Appl. No.: **29/097,754**

[57] **CLAIM**

[22] Filed: **Dec. 12, 1998**

The ornamental design for a corner sink, as shown.

[51] **LOC (6) Cl.** ..... **23-02**

**DESCRIPTION**

[52] **U.S. Cl.** ..... **D23/290**

[58] **Field of Search** ..... D23/284-293.1;  
4/619, 625, 635-650

FIG. 1 is a top perspective view of a corner sink, showing  
my new design;

FIG. 2 is a top plan view thereof;

FIG. 3 is a bottom plan view thereof.

FIG. 4 is a front elevational view thereof.

FIG. 5 is a rear elevational view thereof.

FIG. 6 is a left side elevational view thereof; and,

FIG. 7 is a right elevational view thereof.

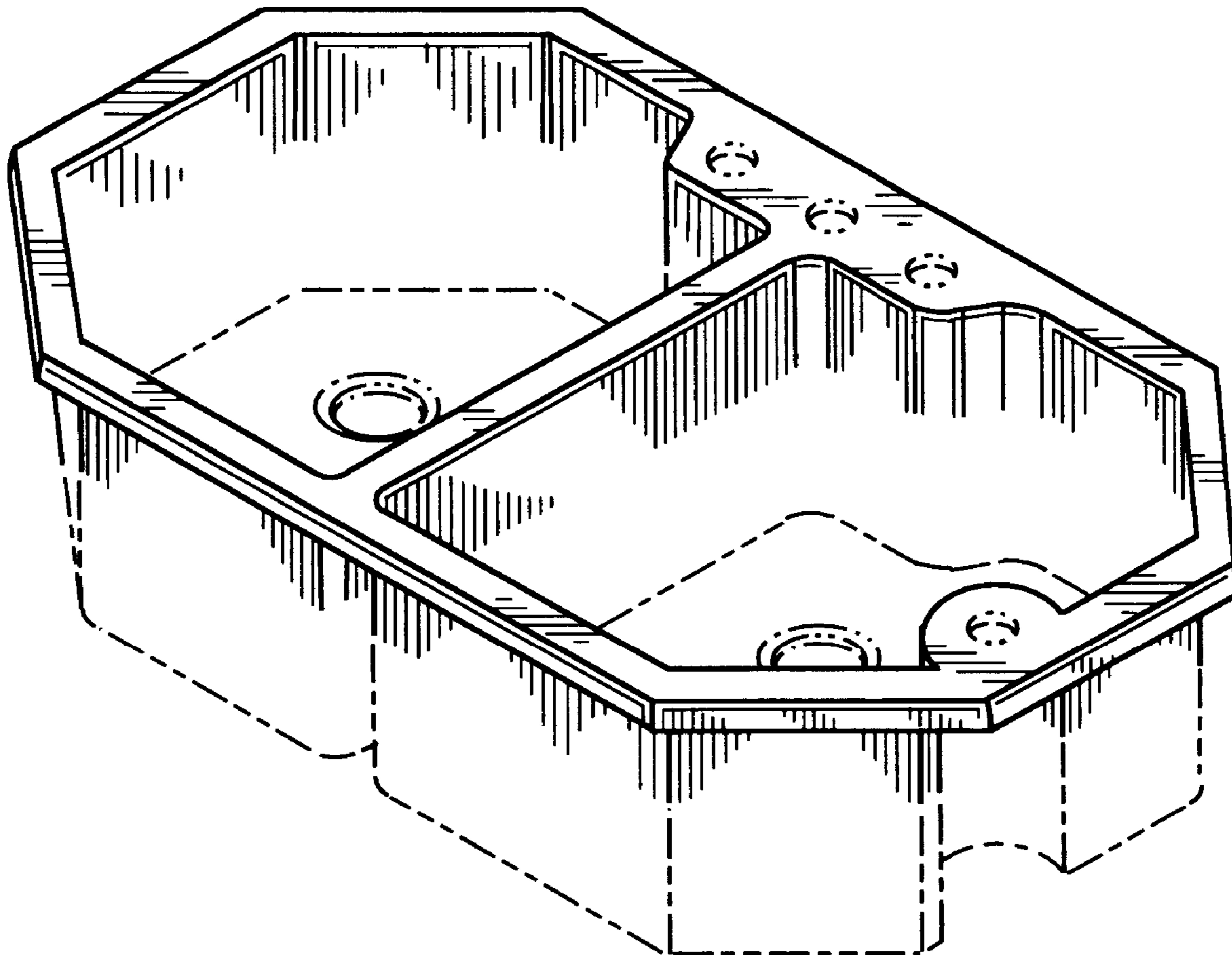
The broken line showing is for illustrative purposes only and  
forms no part of the claimed design.

[56] **References Cited**

**U.S. PATENT DOCUMENTS**

D. 192,412	3/1962	Forsman .	
D. 319,474	8/1991	Stairs, Jr. .	
D. 319,494	8/1991	Dawkins .	
D. 329,279	9/1992	Blanc et al. ....	D23/287
D. 336,951	6/1993	Lotito et al. ....	D23/290
D. 395,699	6/1998	Hundley .....	D23/290
D. 402,014	12/1998	Chang .....	D23/290

**1 Claim, 3 Drawing Sheets**



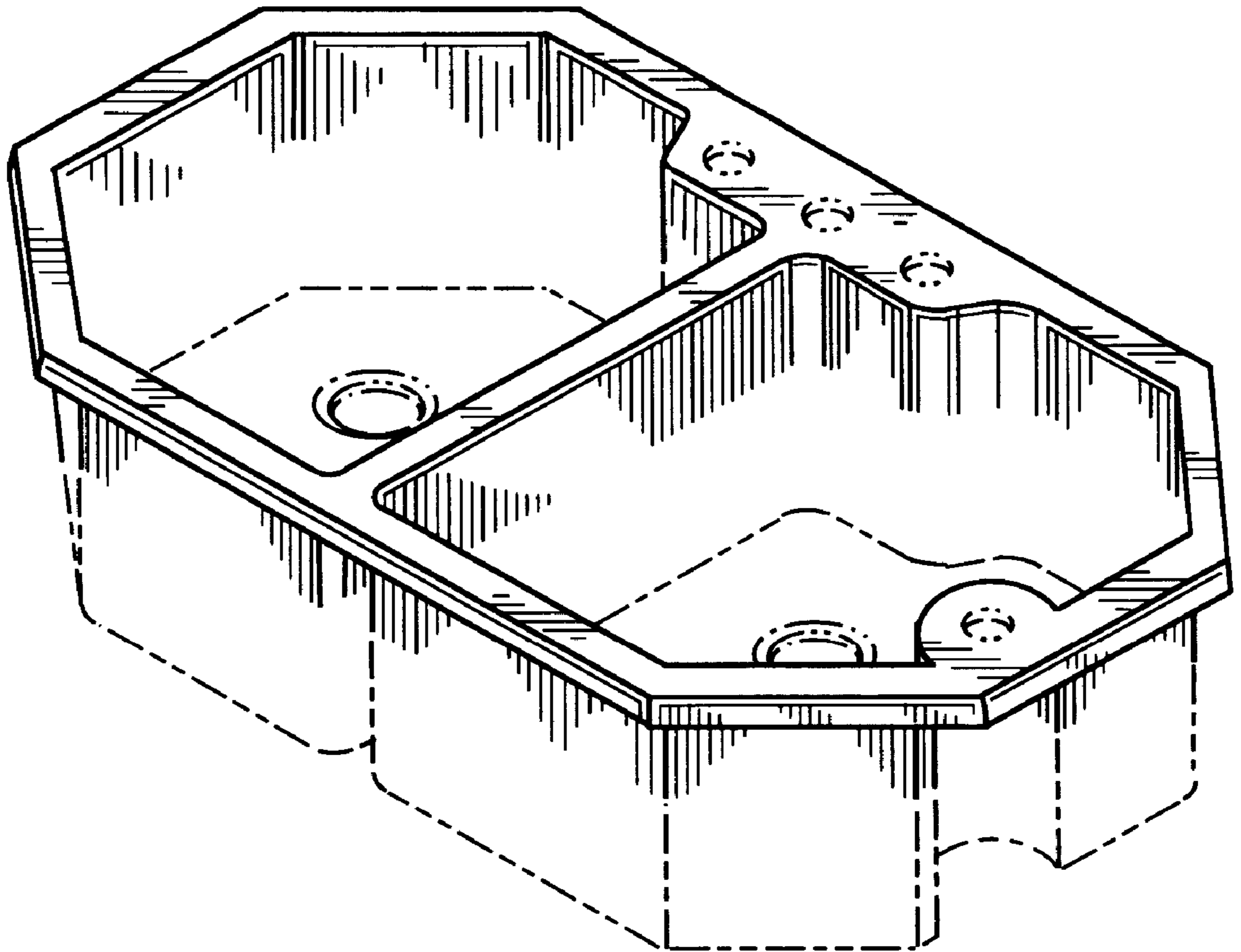


FIG. 1

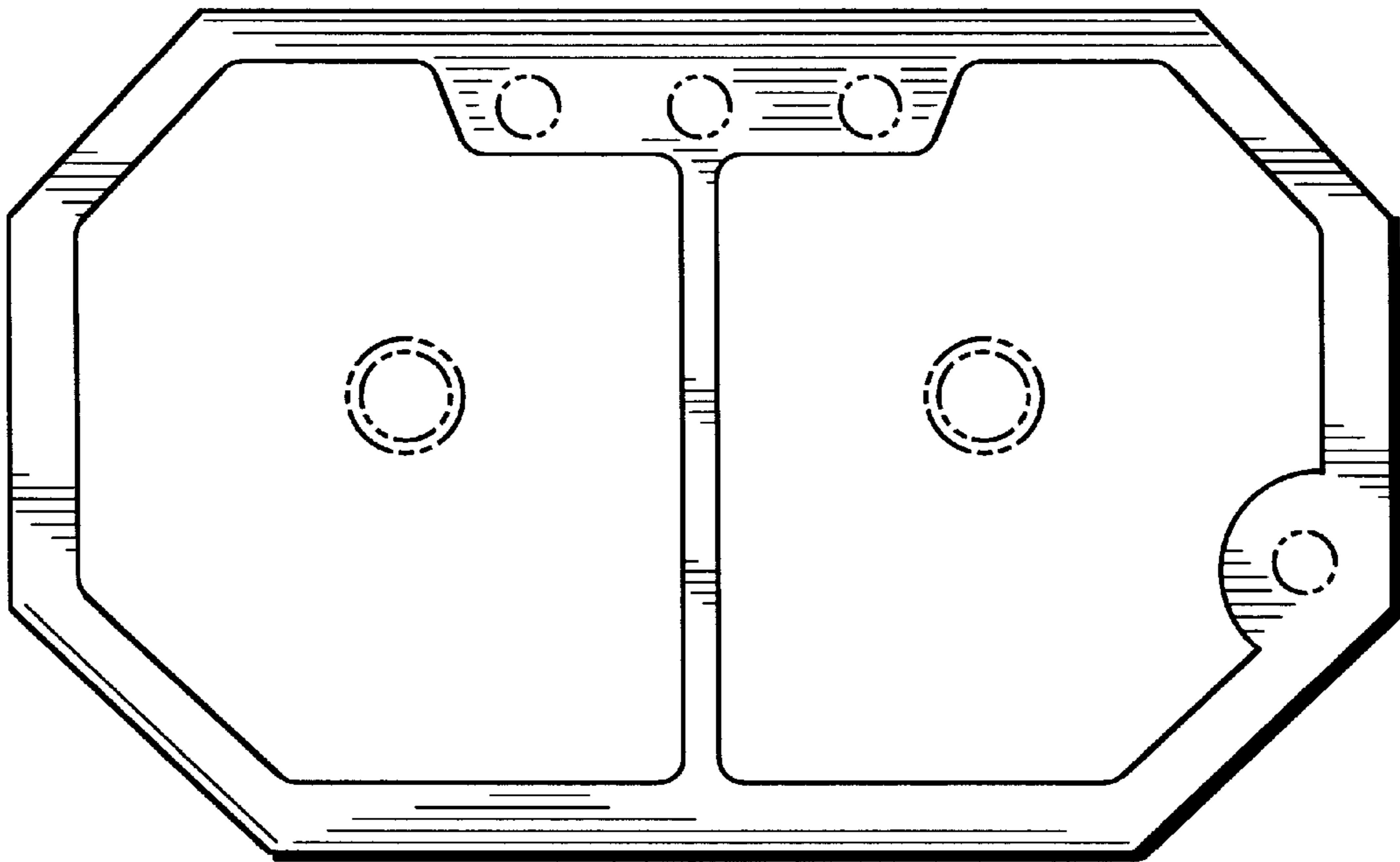


FIG. 2

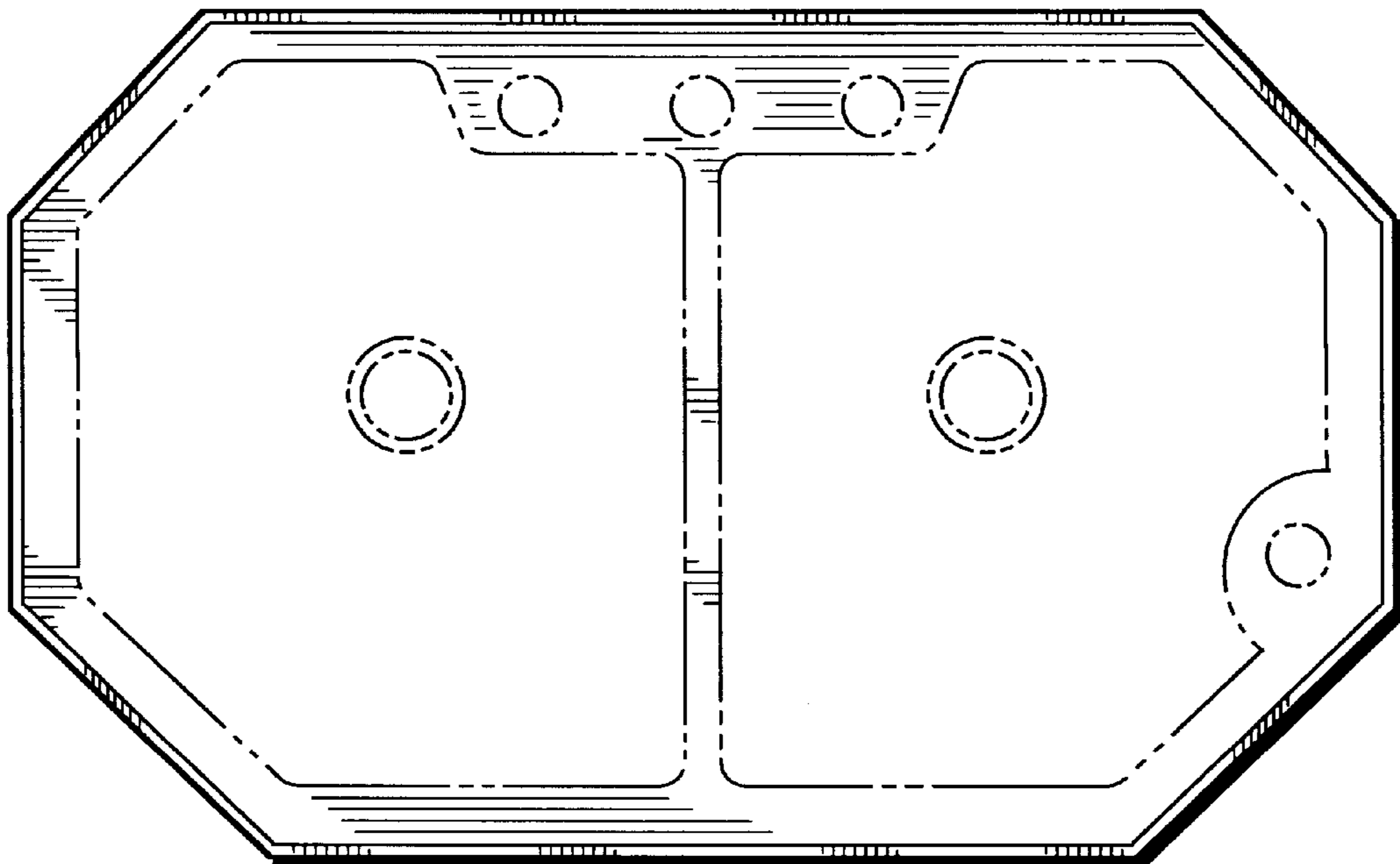


FIG. 3

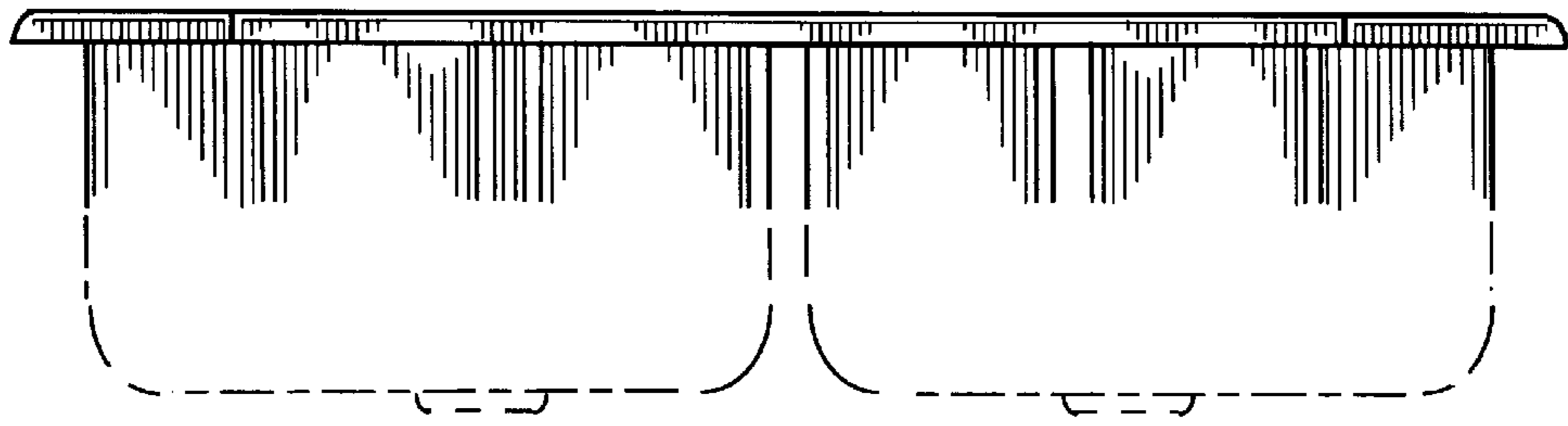


FIG. 4

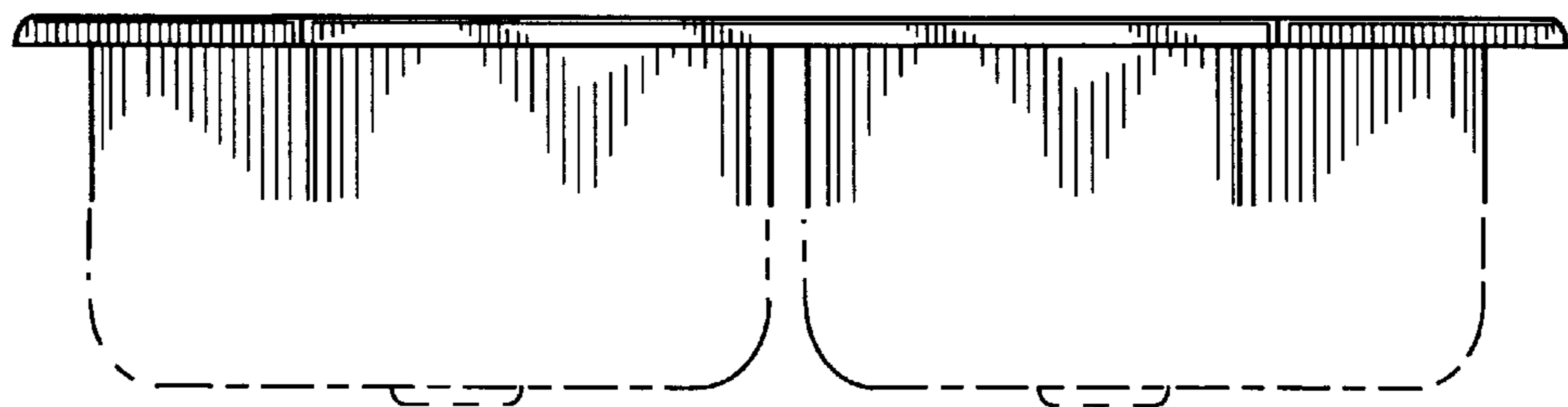


FIG. 5

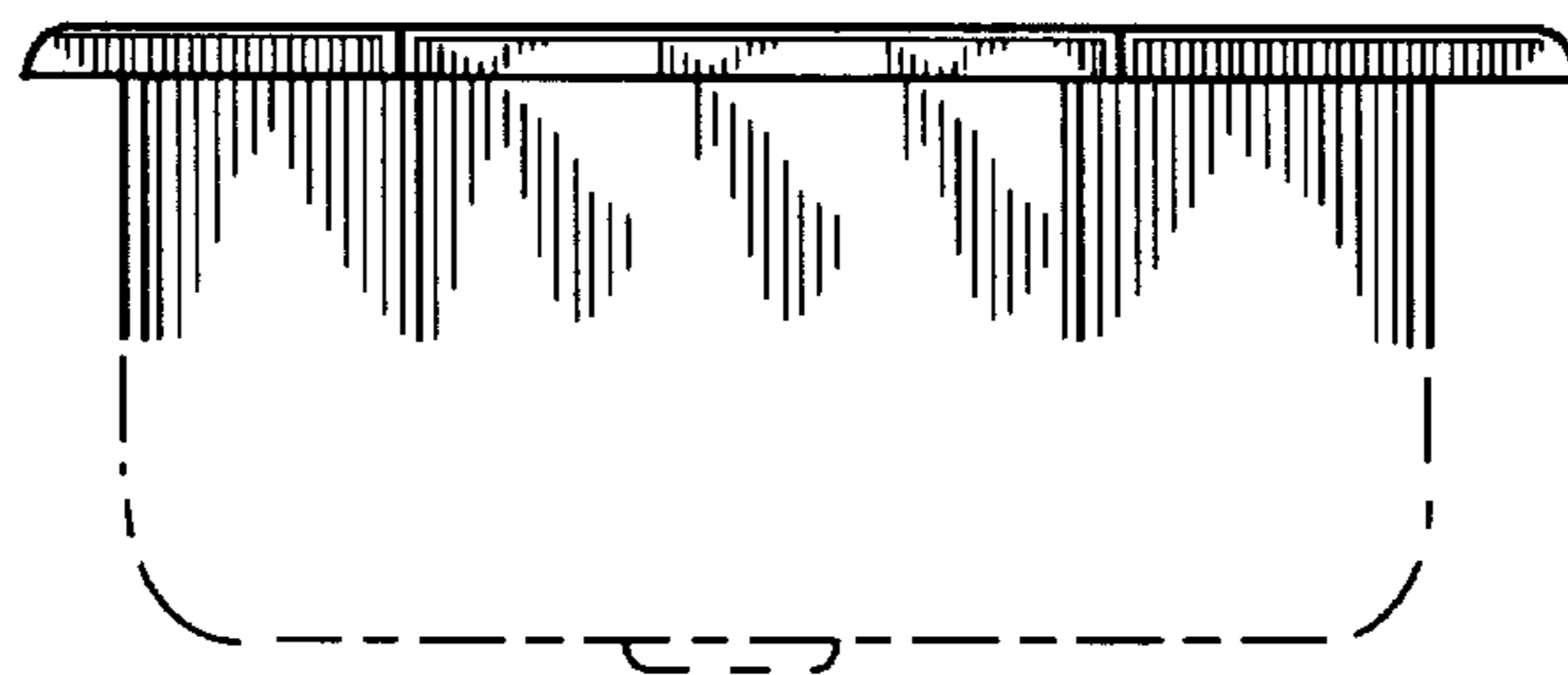


FIG. 6

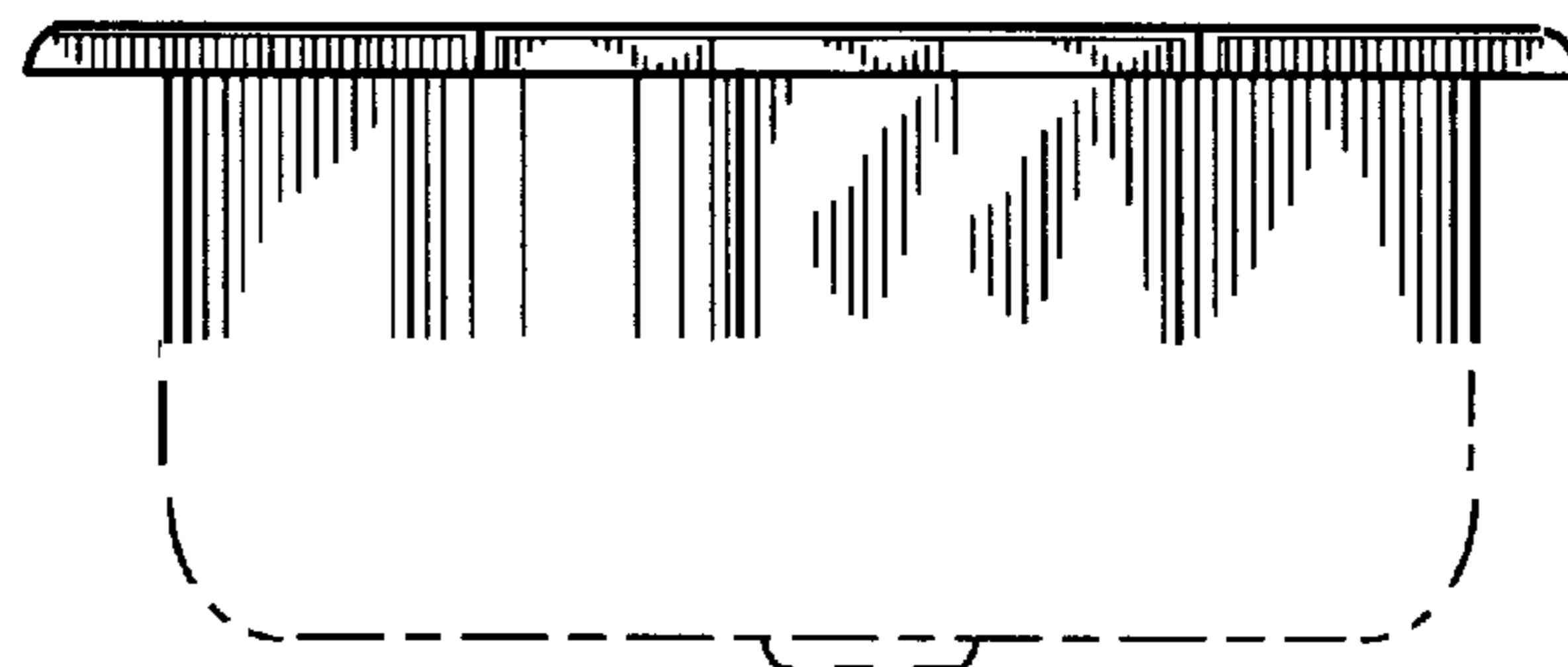


FIG. 7