



US00D411288S

# United States Patent [19] Cuttriss

[11] **Patent Number: Des. 411,288**

[45] **Date of Patent: \*\* Jun. 22, 1999**

[54] **BOWL**

[75] Inventor: **Rik Cuttriss**, Fillmore, Calif.

[73] Assignee: **Gruber Systems, Inc.**, Valencia, Calif.

[\*\*] Term: **14 Years**

[21] Appl. No.: **29/094,952**

[22] Filed: **Oct. 14, 1998**

[51] **LOC (6) Cl.** ..... **23-02**

[52] **U.S. Cl.** ..... **D23/284**

[58] **Field of Search** ..... D23/284-293.1;  
4/619, 624, 625, 626-650

[56] **References Cited**

**U.S. PATENT DOCUMENTS**

D. 232,638	9/1974	Mather .	
D. 274,456	6/1984	Cuttriss .....	D23/55
D. 320,262	9/1991	Cuttriss .....	D23/294
D. 320,264	9/1991	Lenahan .....	D23/294
D. 386,566	11/1997	Zankow .....	D23/201
D. 389,901	1/1998	Kohler, Jr. et al. ....	D23/284
D. 398,967	9/1998	Kohler, Jr. et al. ....	D23/284
D. 399,934	10/1998	Westcott et al. ....	D23/284

*Primary Examiner*—Louis S. Zarfes  
*Assistant Examiner*—Eric Watterson  
*Attorney, Agent, or Firm*—Oppenheimer Wolff & Donnelly LLP

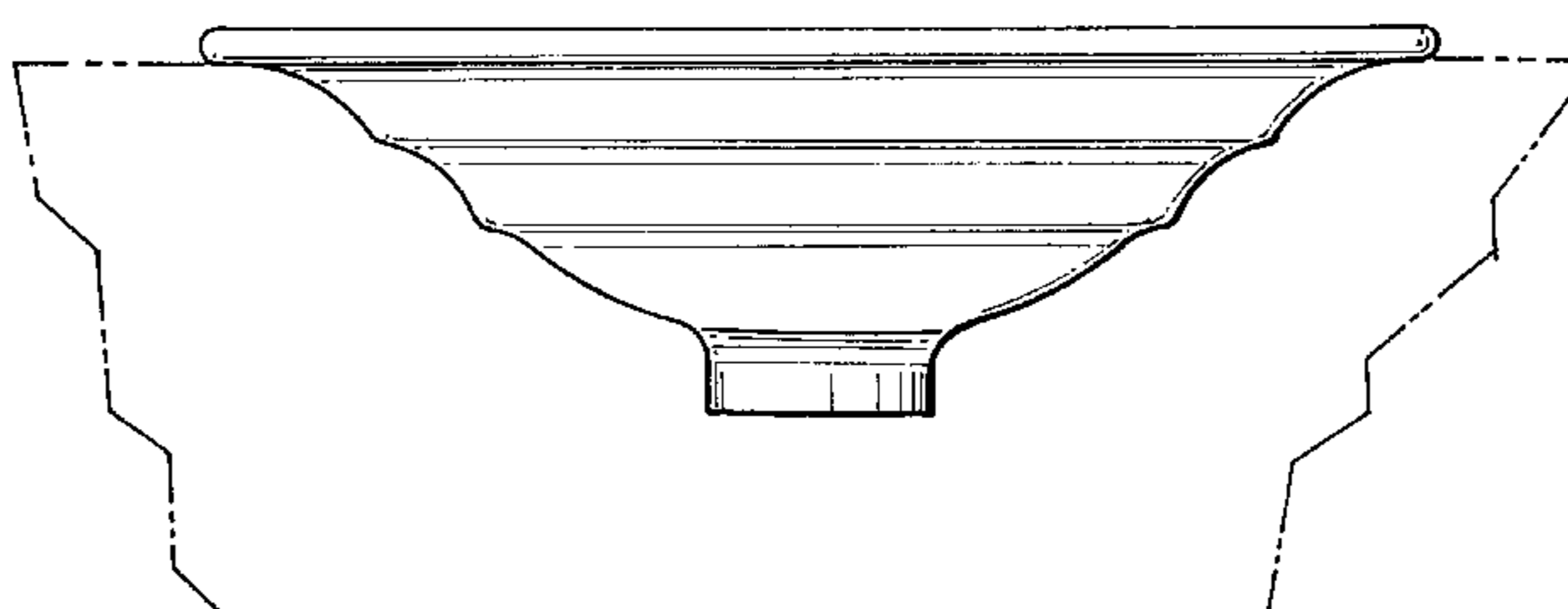
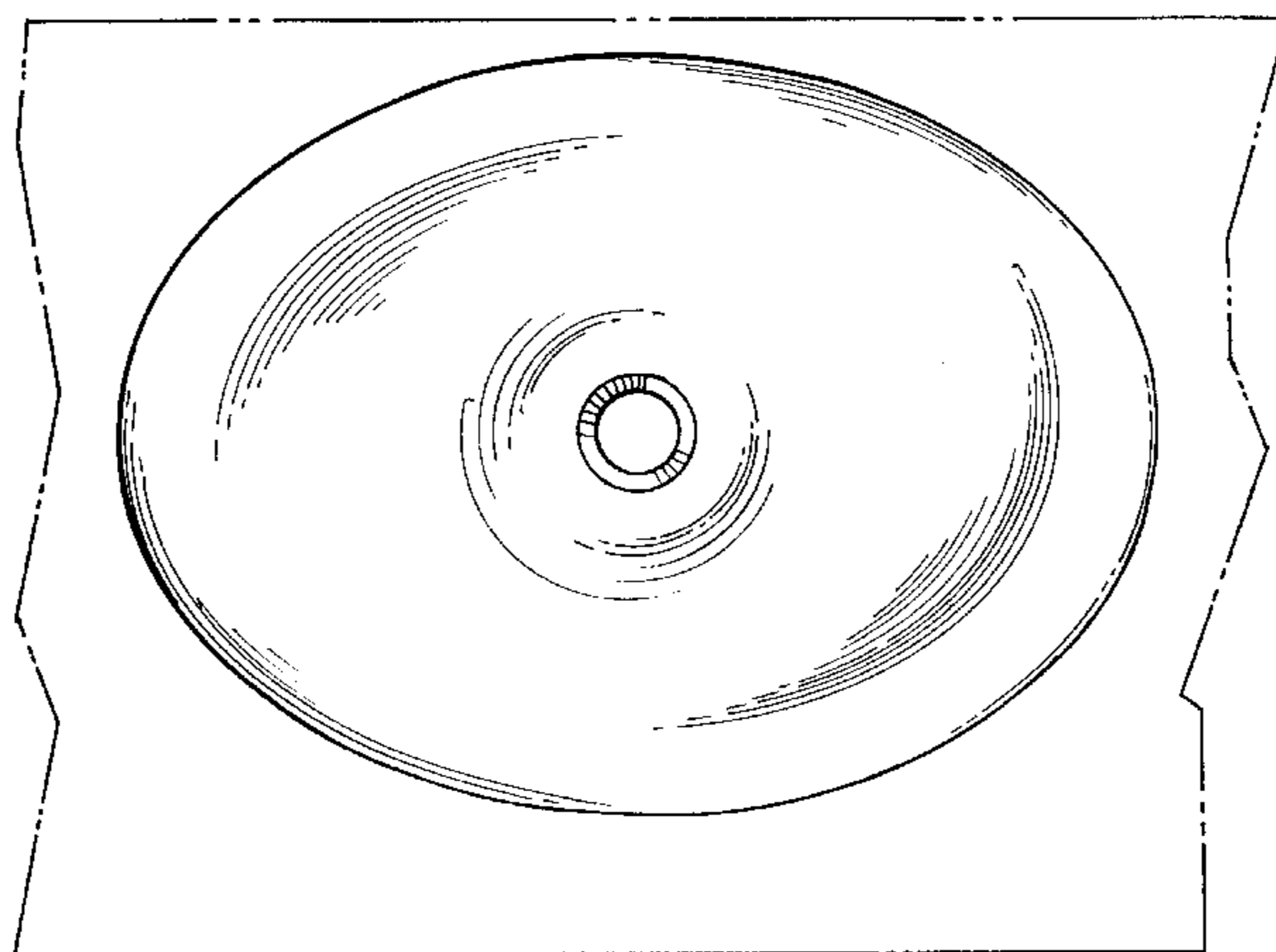
[57] **CLAIM**

The ornamental design for a bowl, as shown and described.

**DESCRIPTION**

FIG. 1 is a top plan view of a bowl showing my new design, installed flush in an opening in a vanity;  
FIG. 2 is a front elevational view of the bowl of FIG. 1 installed flush in an opening in a vanity;  
FIG. 3 is a side elevational view of the installation of FIG. 2;  
FIG. 4 is a view similar to FIG. 2 of the bowl of FIG. 1 installed in an opening in a vanity having an annular ledge;  
FIG. 5 is a view similar to FIG. 4 showing the bowl of FIG. 1 installed in the ledge of FIG. 4 at a different location of the bowl; and,  
FIG. 6 is a view similar to FIGS. 4 and 5 showing the bowl of FIG. 1 installed in the ledge of FIG. 4 at another location of the bowl.  
The broken line showing is for illustrative purposes only and forms no part of the claimed design.

**1 Claim, 3 Drawing Sheets**



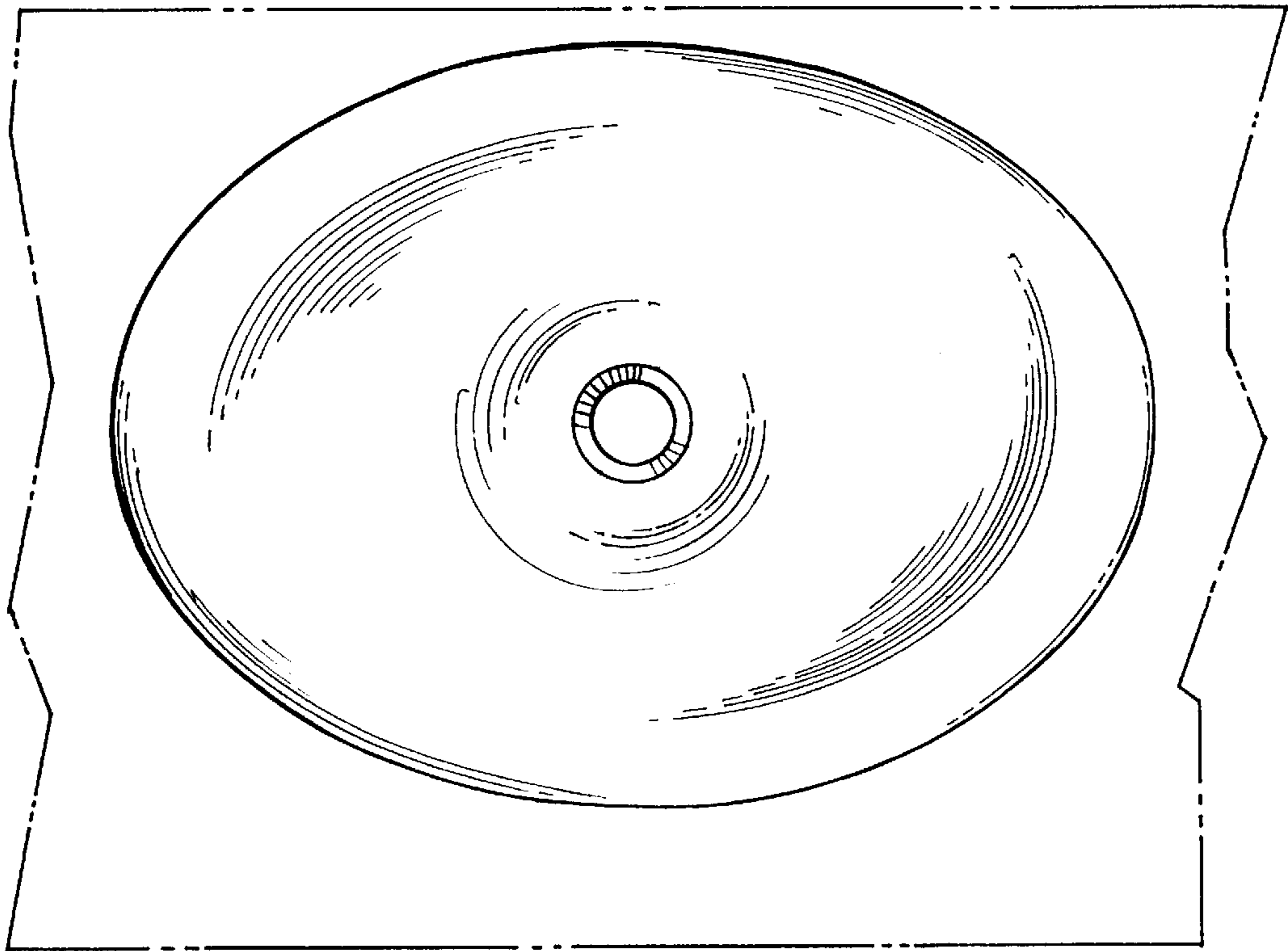


FIG 1

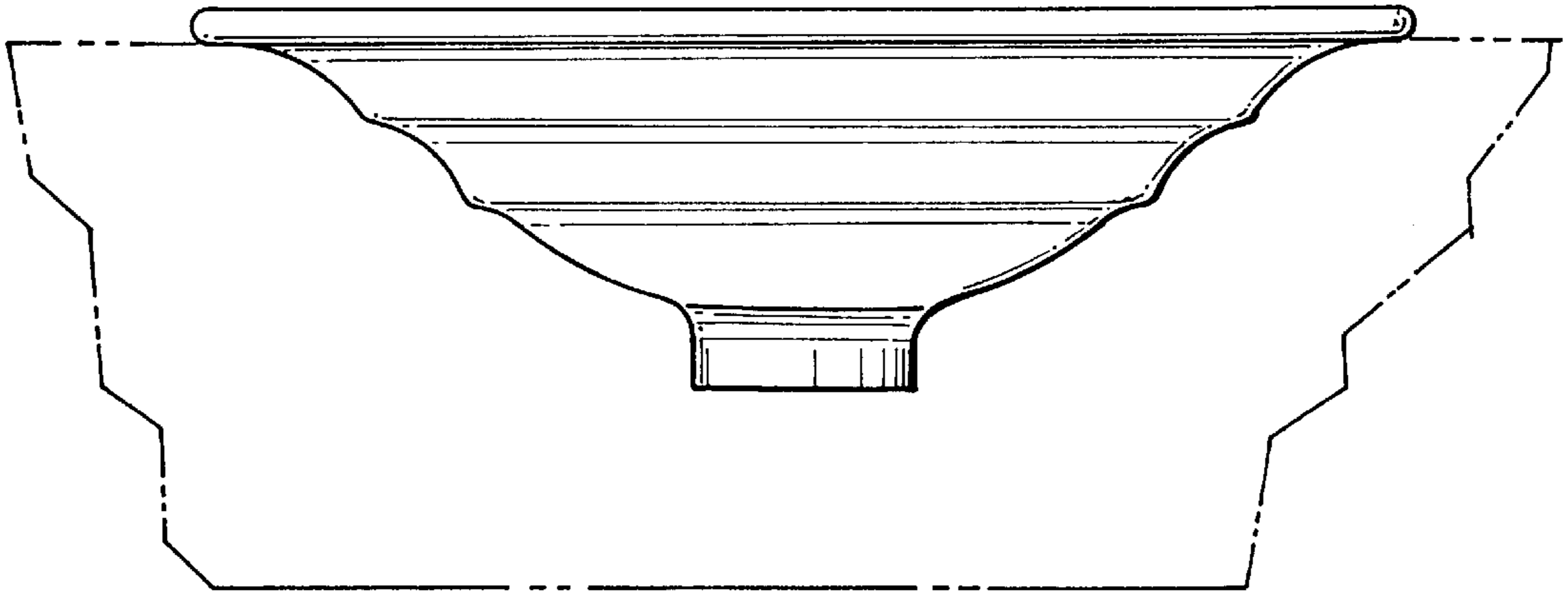


FIG. 2

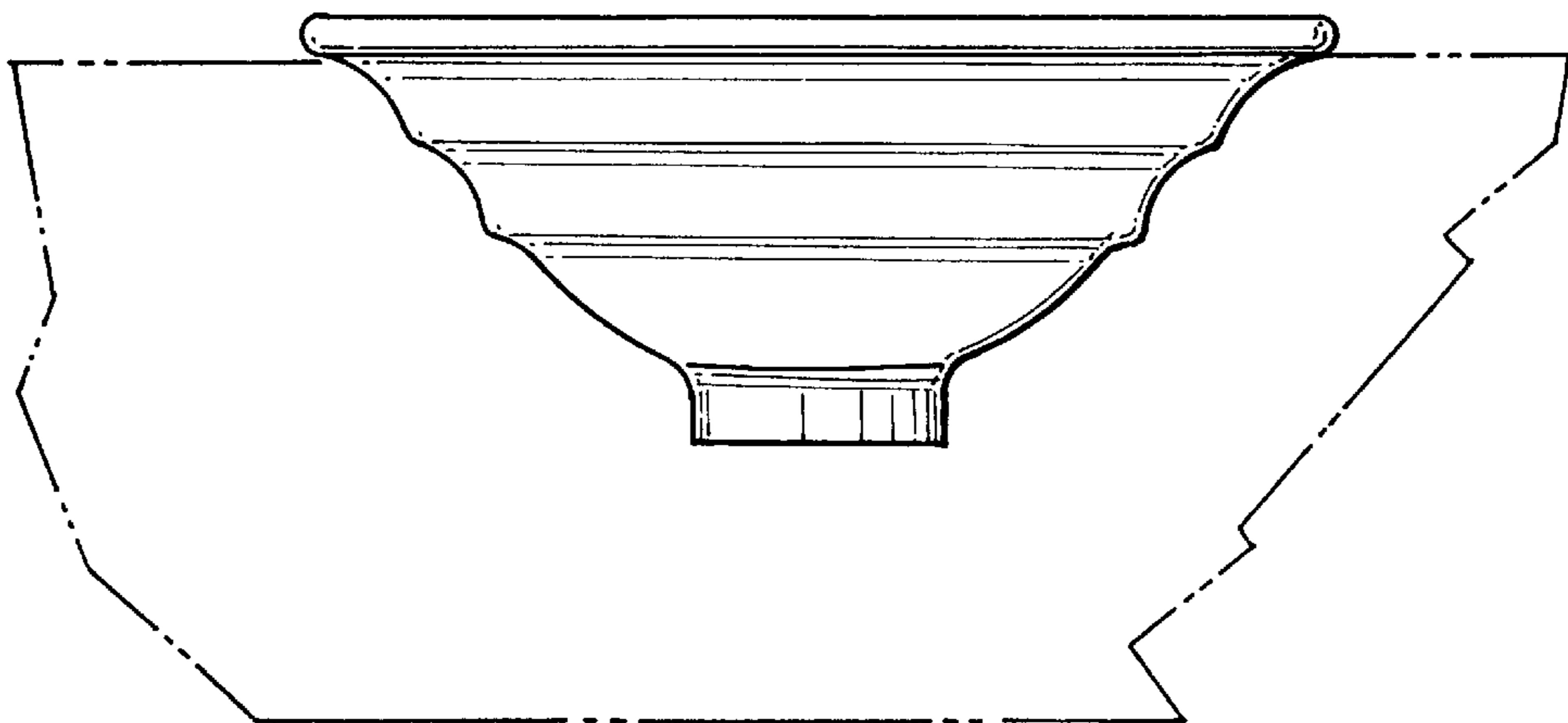


FIG. 3

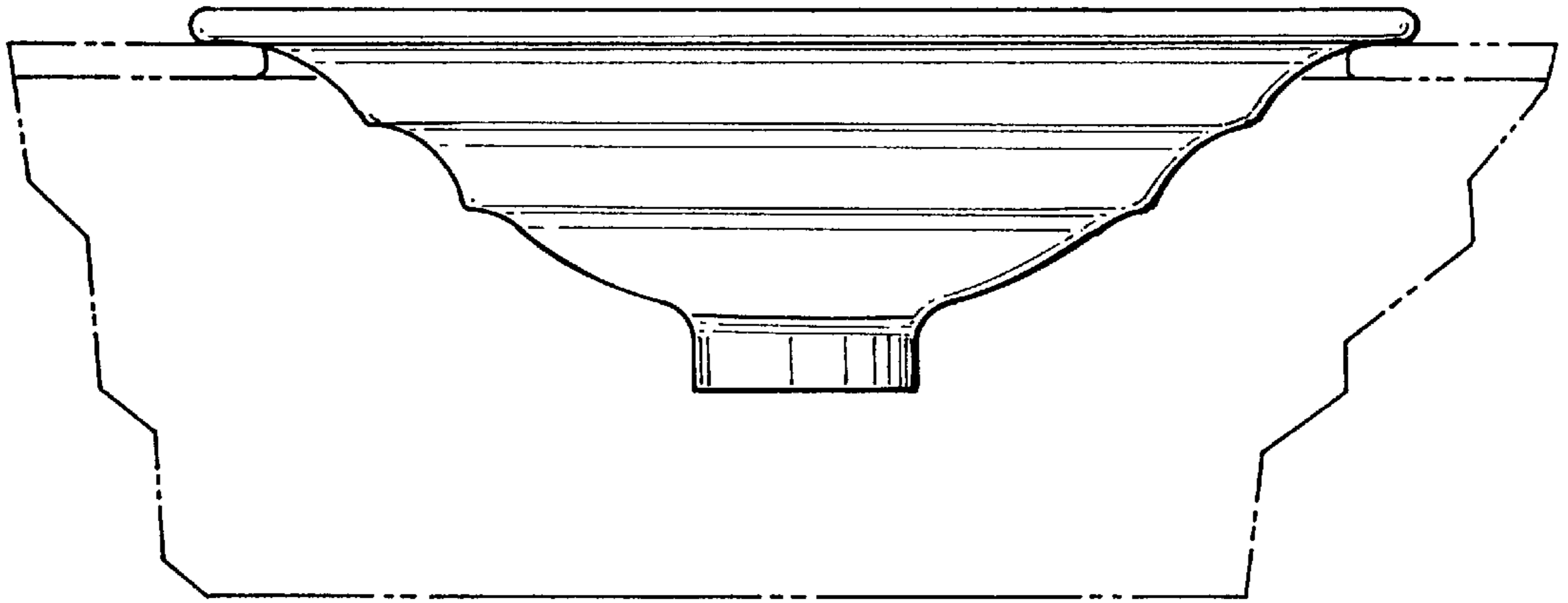


FIG. 4

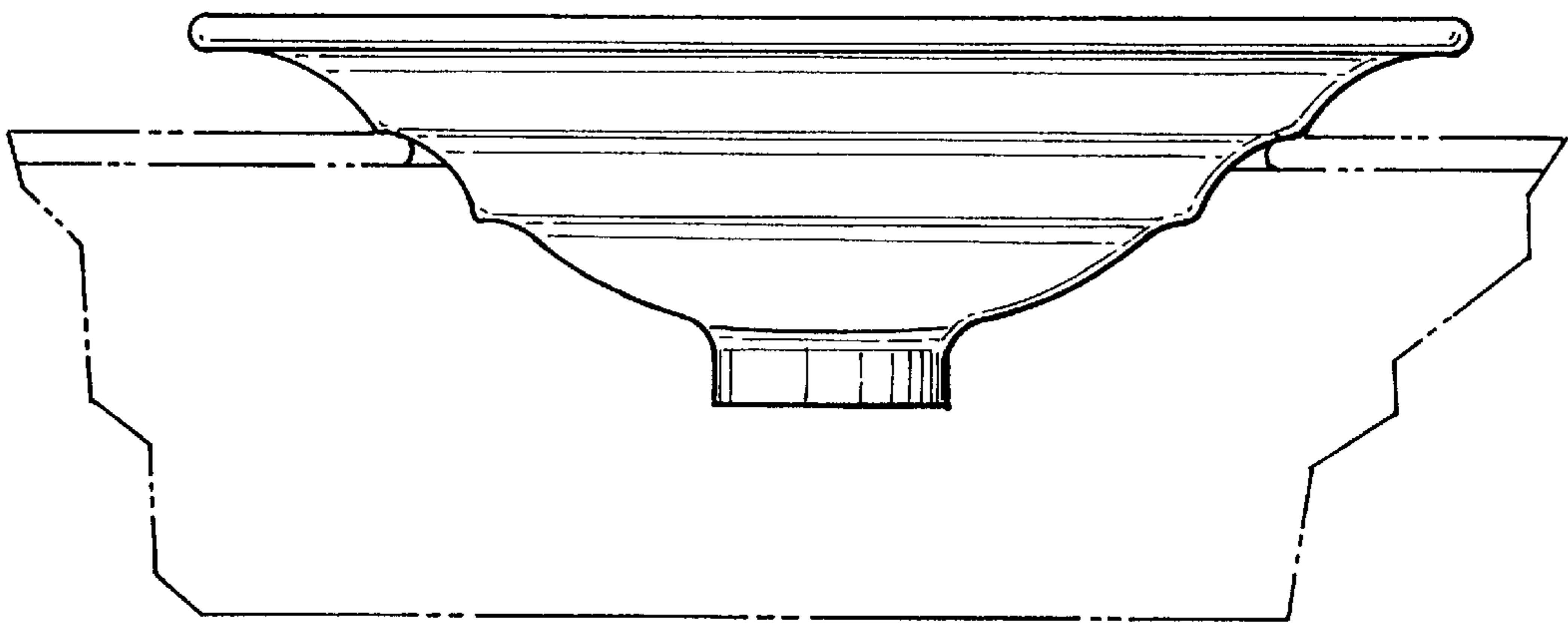


FIG. 5

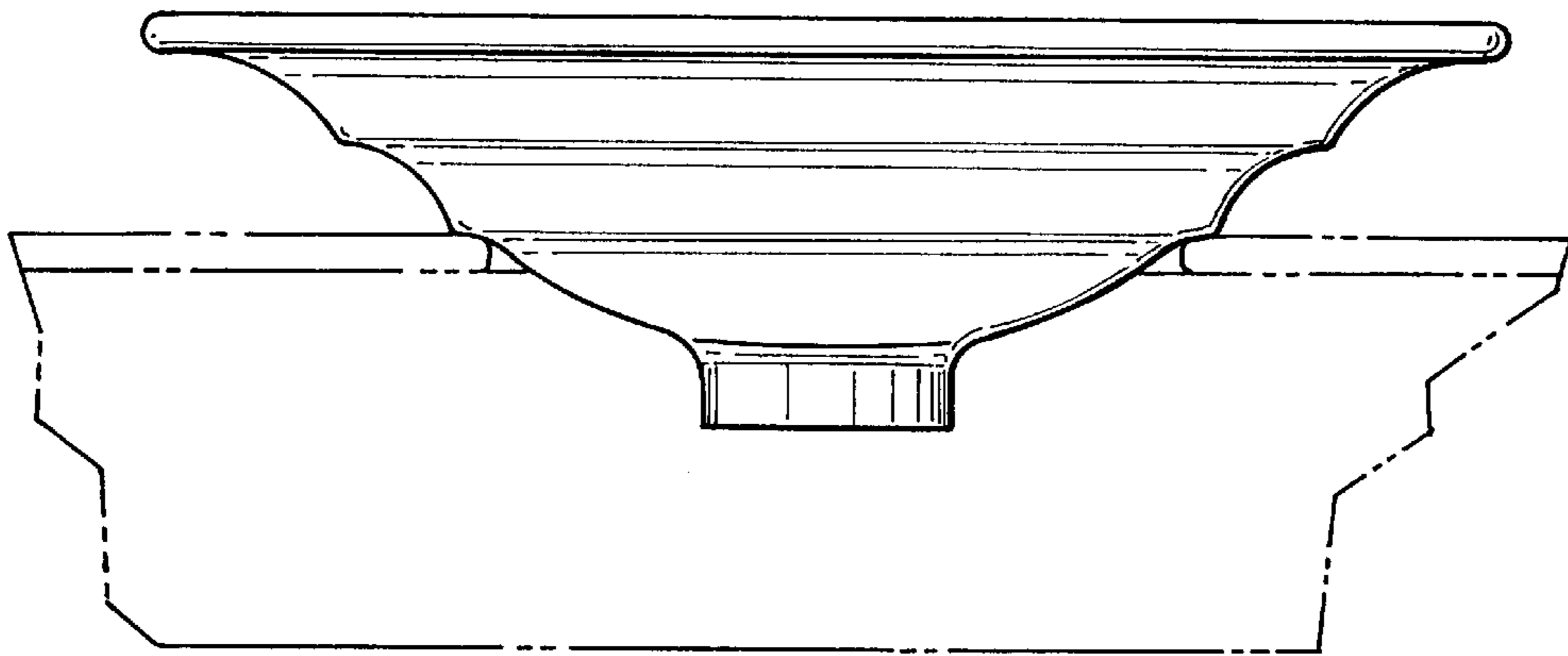


FIG. 6