



US00D411284S

# United States Patent [19] Gottwald

[11] **Patent Number: Des. 411,284**

[45] **Date of Patent: \*\* Jun. 22, 1999**

[54] **SHOWER FAUCET**

D. 347,265 5/1994 Gottwald ..... D23/239  
D. 353,187 12/1994 Formgren ..... D23/241  
D. 353,442 12/1994 Formgren ..... D23/241

[75] Inventor: **Adolf Gottwald**, Iserlohn, Germany

[73] Assignee: **Friedrich Grohe AG**, Hemer, Germany

[\*\*] Term: **14 Years**

*Primary Examiner*—Doris V. Coles  
*Assistant Examiner*—Eric Watterson  
*Attorney, Agent, or Firm*—Herbert Dubno

[21] Appl. No.: **29/072,332**

[57] **CLAIM**

[22] Filed: **Jun. 12, 1997**

The ornamental design for a shower faucet, as shown and described.

[30] **Foreign Application Priority Data**

**DESCRIPTION**

Jan. 16, 1997 [DE] Germany ..... M 97 00 386

[51] **LOC (6) Cl.** ..... **23-01**

FIG. 1 is a top, front, left side perspective view of a shower faucet showing my new design;

[52] **U.S. Cl.** ..... **D23/241**

FIG. 2 is a left side elevational view thereof, the right side being mirror symmetrical thereto;

[58] **Field of Search** ..... D23/238-243,  
D23/250-257; 4/675-678; 16/110 R, 113,  
121, 125, 123; 137/801

FIG. 3 is a top view thereof;

FIG. 4 is a front elevational view thereof;

FIG. 5 is a rear view thereof; and,

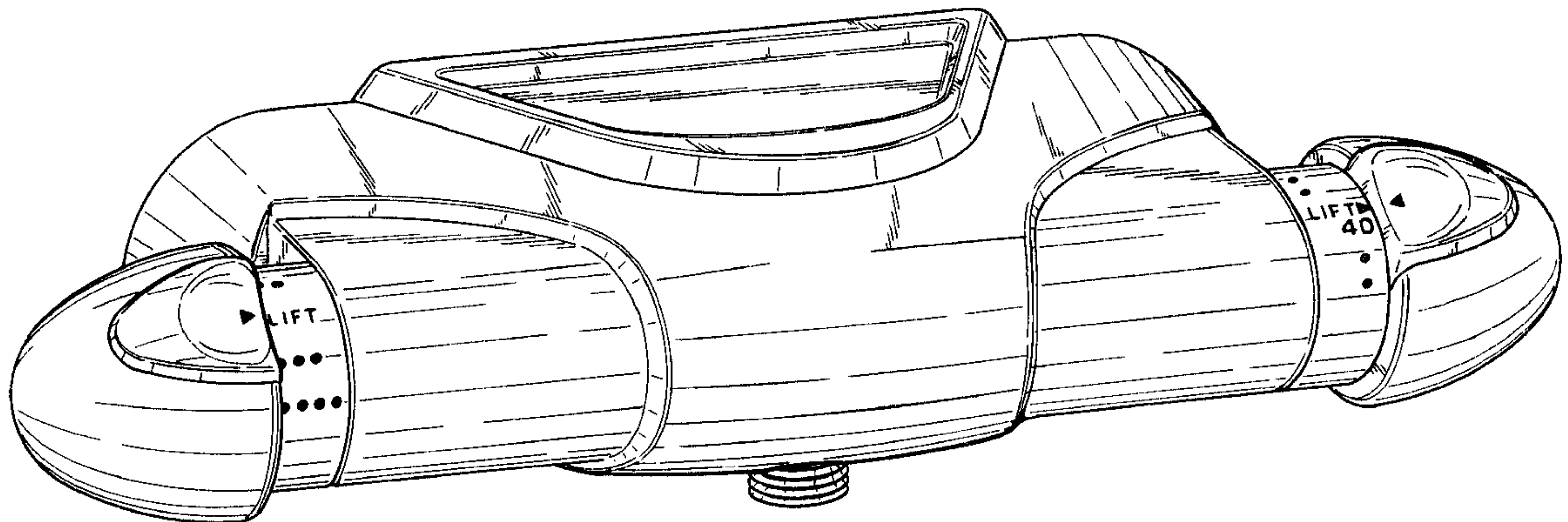
FIG. 6 is a bottom view thereof.

[56] **References Cited**

**U.S. PATENT DOCUMENTS**

D. 347,264 5/1994 Gottwald ..... D23/238

**1 Claim, 3 Drawing Sheets**



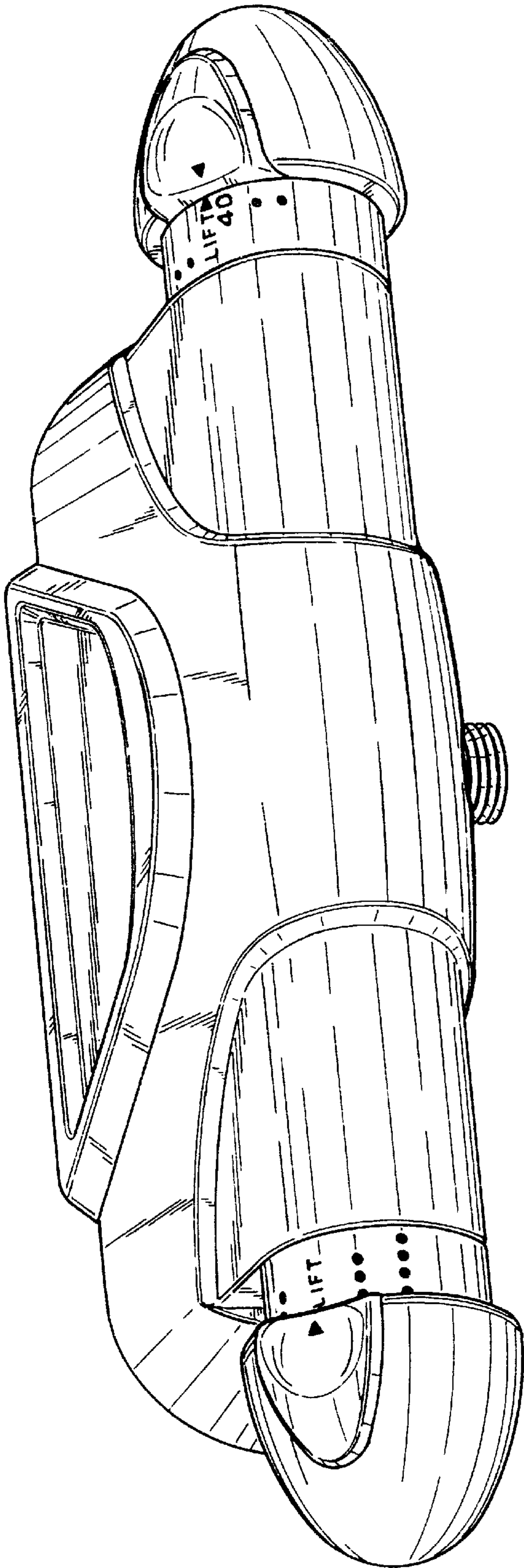


FIG. 1

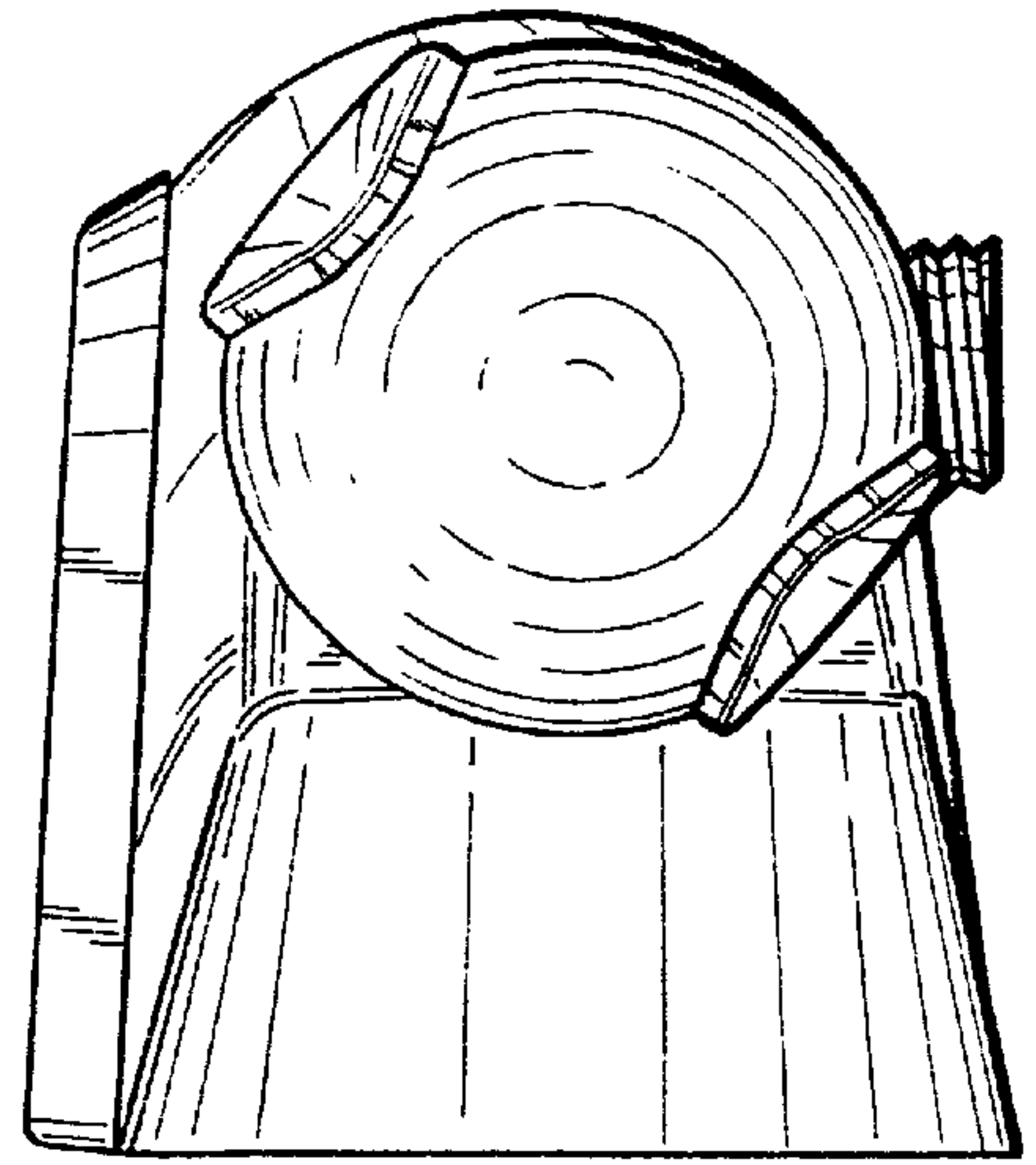


FIG. 2

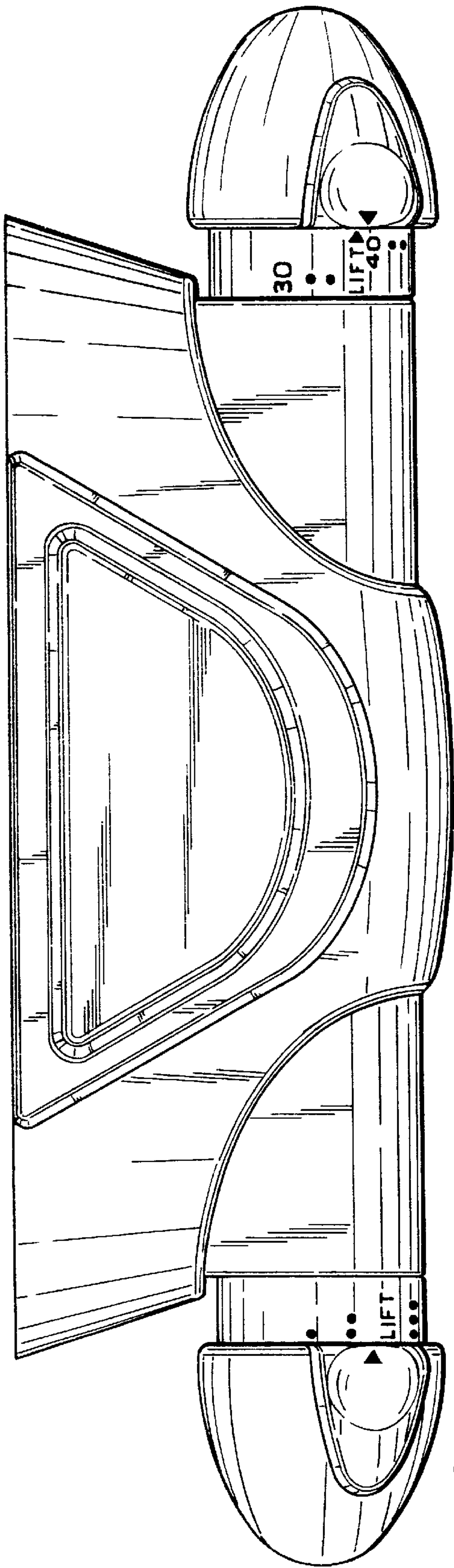


FIG. 3

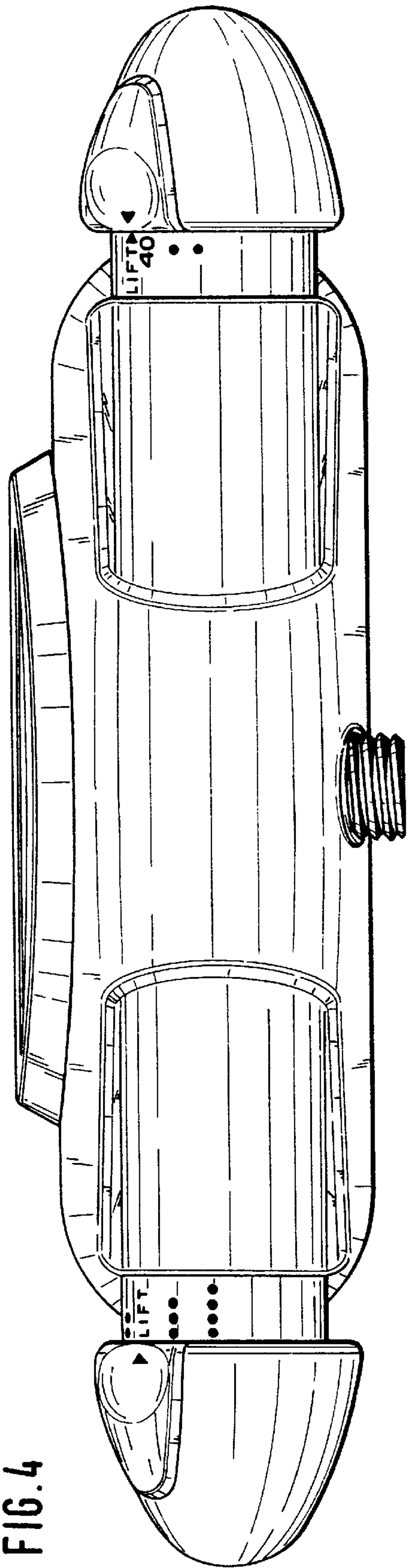


FIG. 4



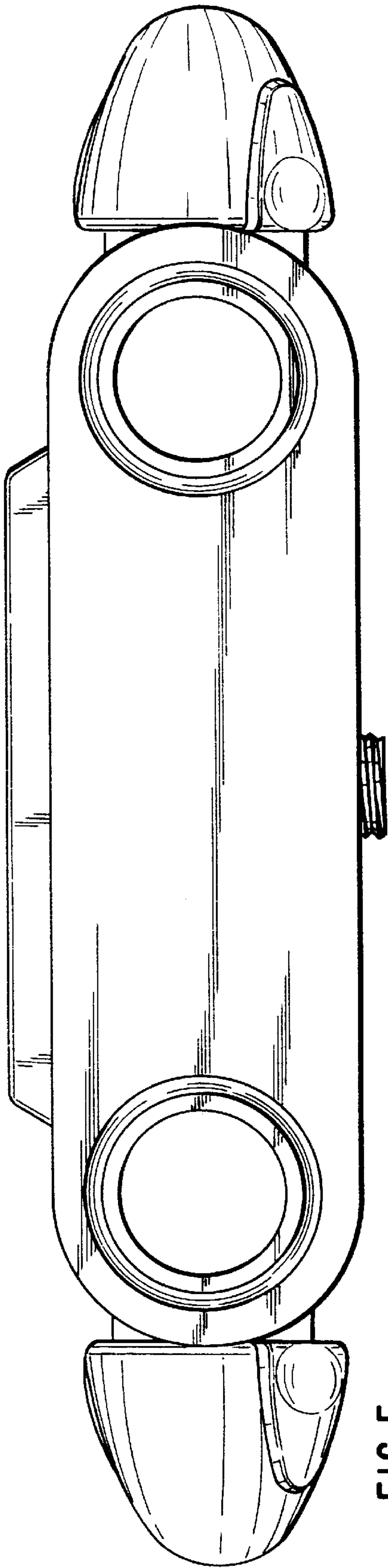


FIG. 5

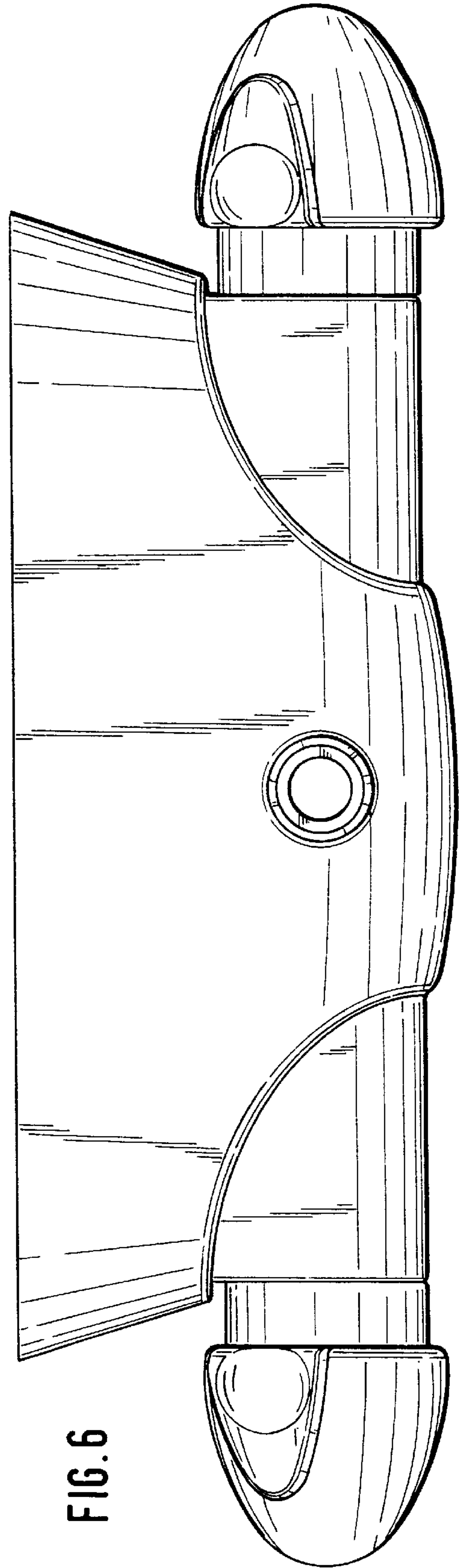


FIG. 6