



US00D411281S

United States Patent [19] Thau

[11] **Patent Number: Des. 411,281**

[45] **Date of Patent: ** Jun. 22, 1999**

[54] **FOUNTAIN**

[76] Inventor: **Michael Thau**, 7600 E. Caley Ave., #124, Englewood, Colo. 80111

[**] Term: **14 Years**

[21] Appl. No.: **29/093,202**

[22] Filed: **Sep. 2, 1998**

[51] **LOC (6) Cl. 23-01**

[52] **U.S. Cl. D23/201**

[58] **Field of Search D23/200, 201; D11/157; 239/16, 17, 18, 19, 20, 21**

[56] **References Cited**

U.S. PATENT DOCUMENTS

D. 85,238	9/1931	Guido	D23/201
D. 113,465	2/1939	Ohrenschall	D23/201
D. 221,337	8/1971	Price	D23/201
D. 372,957	8/1996	Ceresko	D23/201
D. 378,120	2/1997	Wood	D23/201
D. 378,773	4/1997	Wood	D23/201

OTHER PUBLICATIONS

“The Secret of Light”, Walter Russell, Third Edition, 1947, University of Science and Philosophy, pp. 248–251.

“Atomic Suicide?”, Dr Walter and Lao Russell, University of Science and Philosophy, First Edition, 1957, pp. 162–201.

Primary Examiner—Alan P. Douglas
Assistant Examiner—Robin V. Taylor
Attorney, Agent, or Firm—Holland & Hart LLP

[57] **CLAIM**

The ornamental design for a fountain, as shown and described.

DESCRIPTION

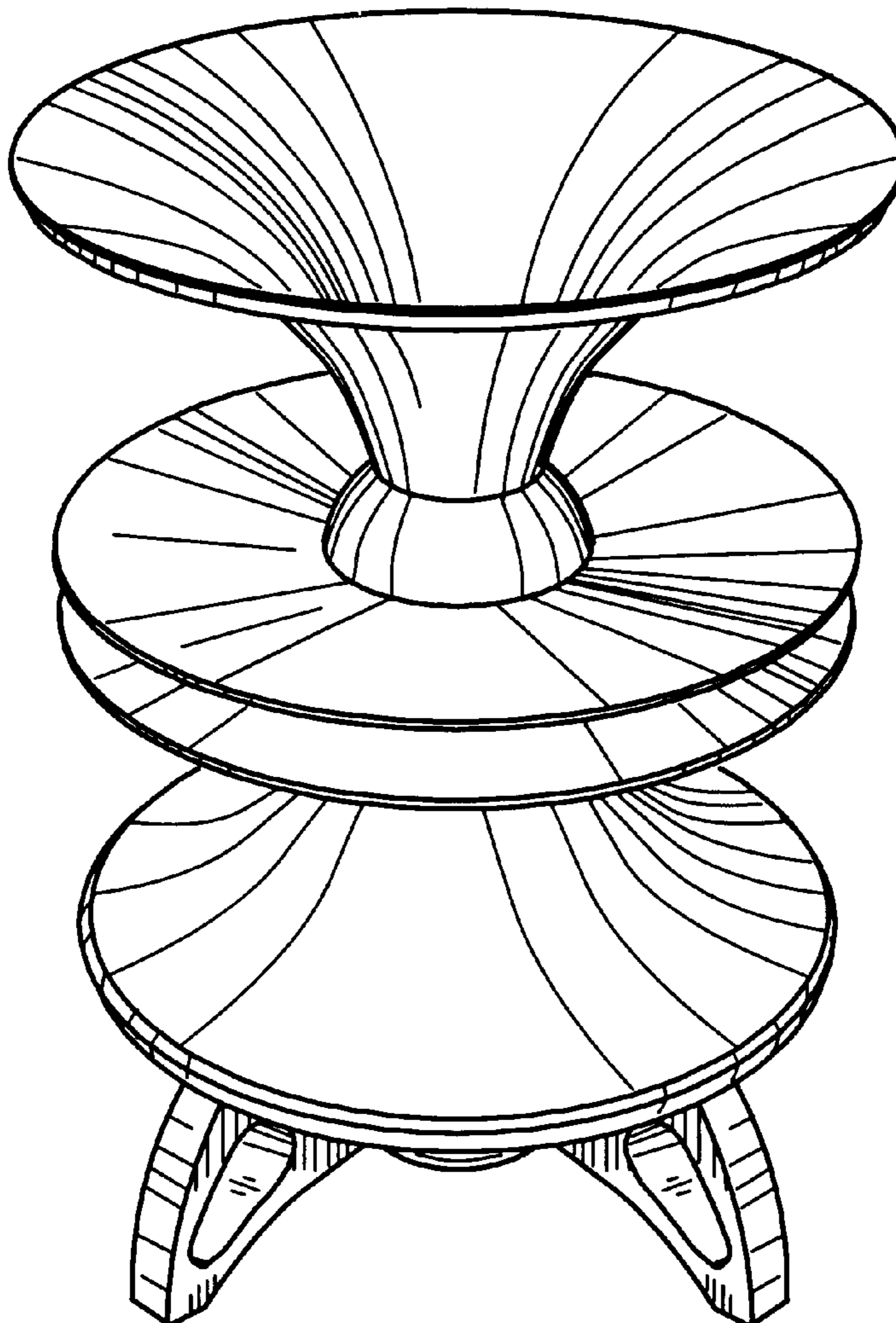
FIG. 1 is a front isometric view of a fountain showing my new design.

FIG. 2 is a top view thereof.

FIG. 3 is a side elevation view thereof, the opposite side being a mirror image thereof; and,

FIG. 4 is a bottom view thereof.

1 Claim, 2 Drawing Sheets



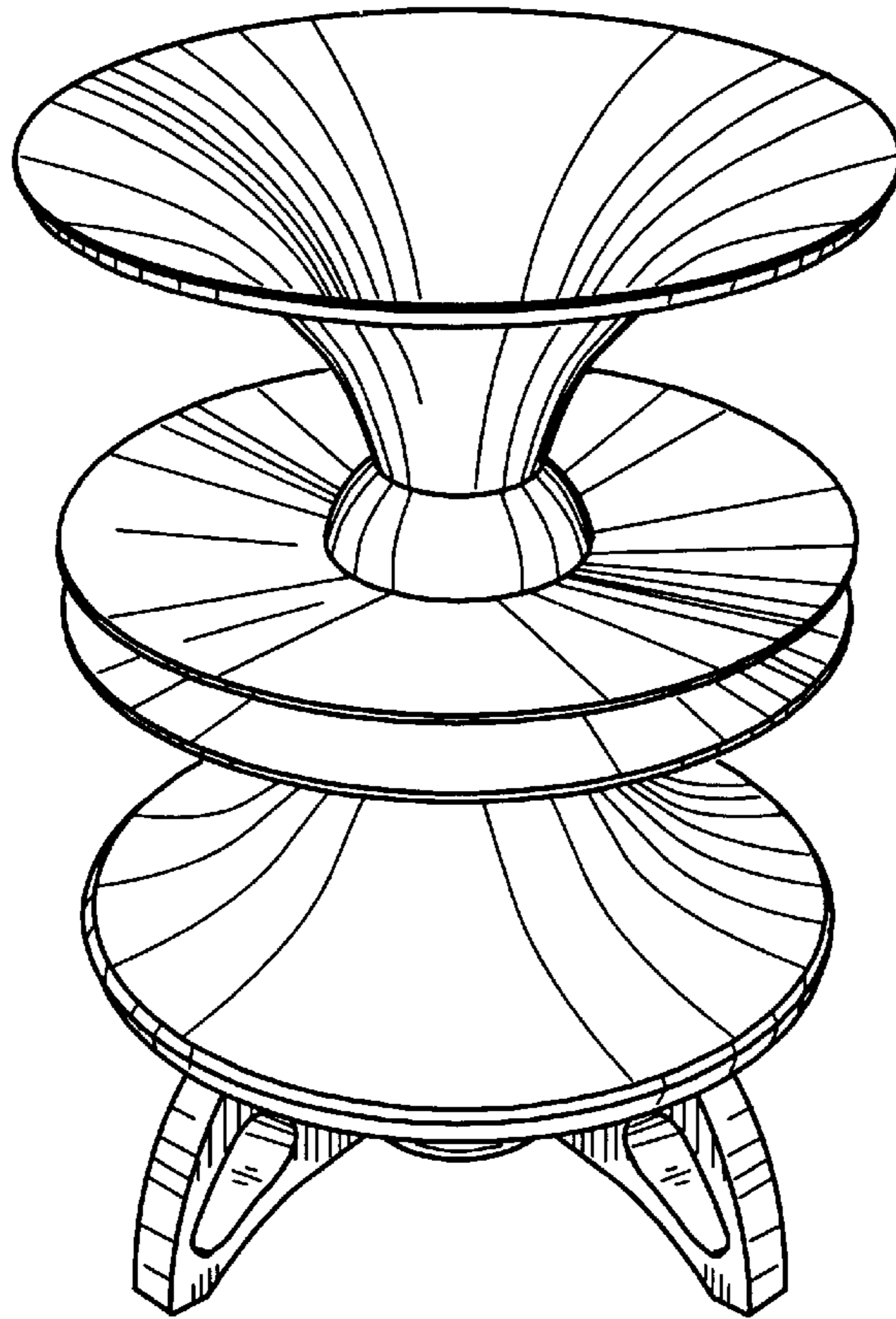


Fig. 1

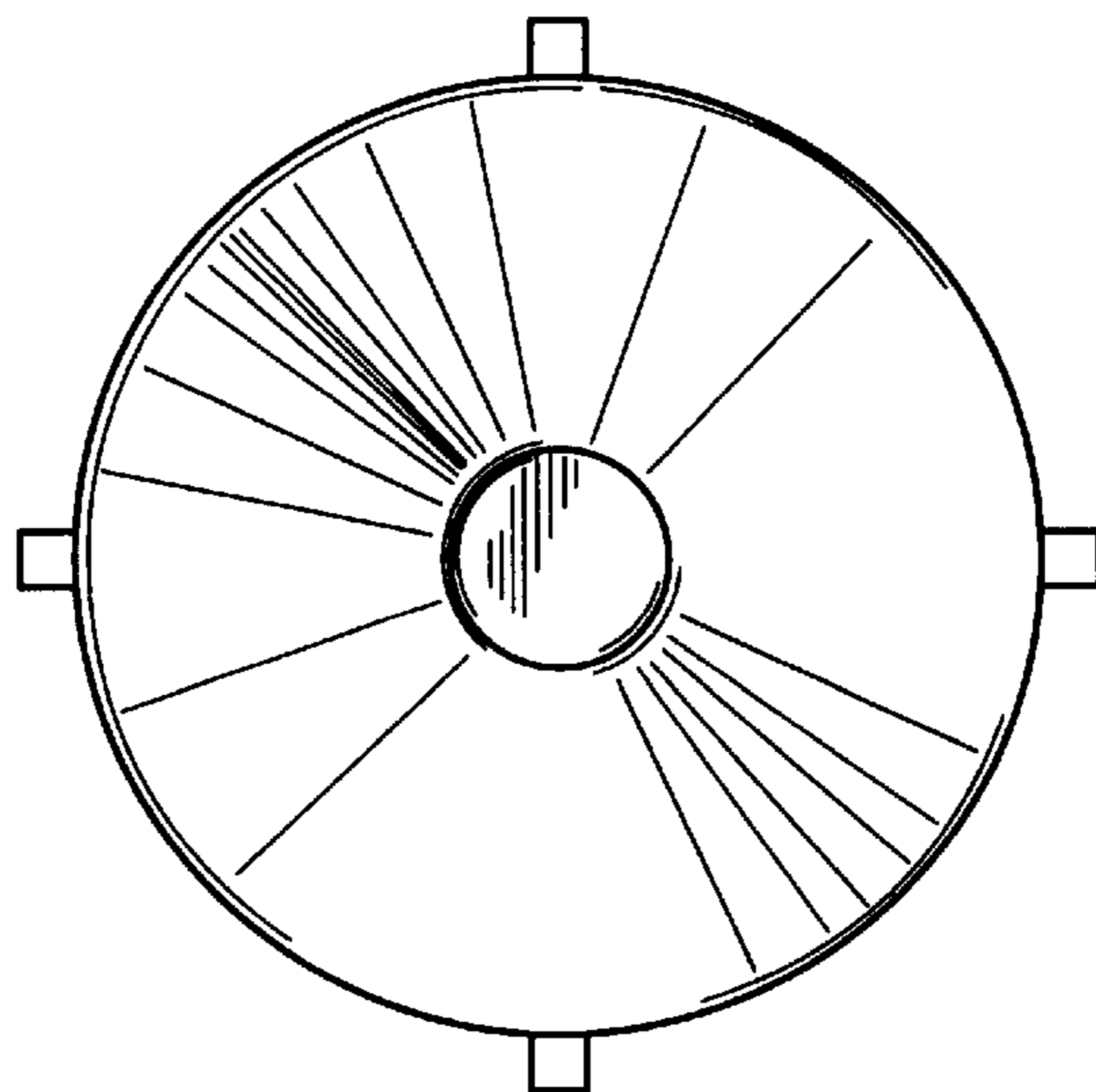


Fig. 2

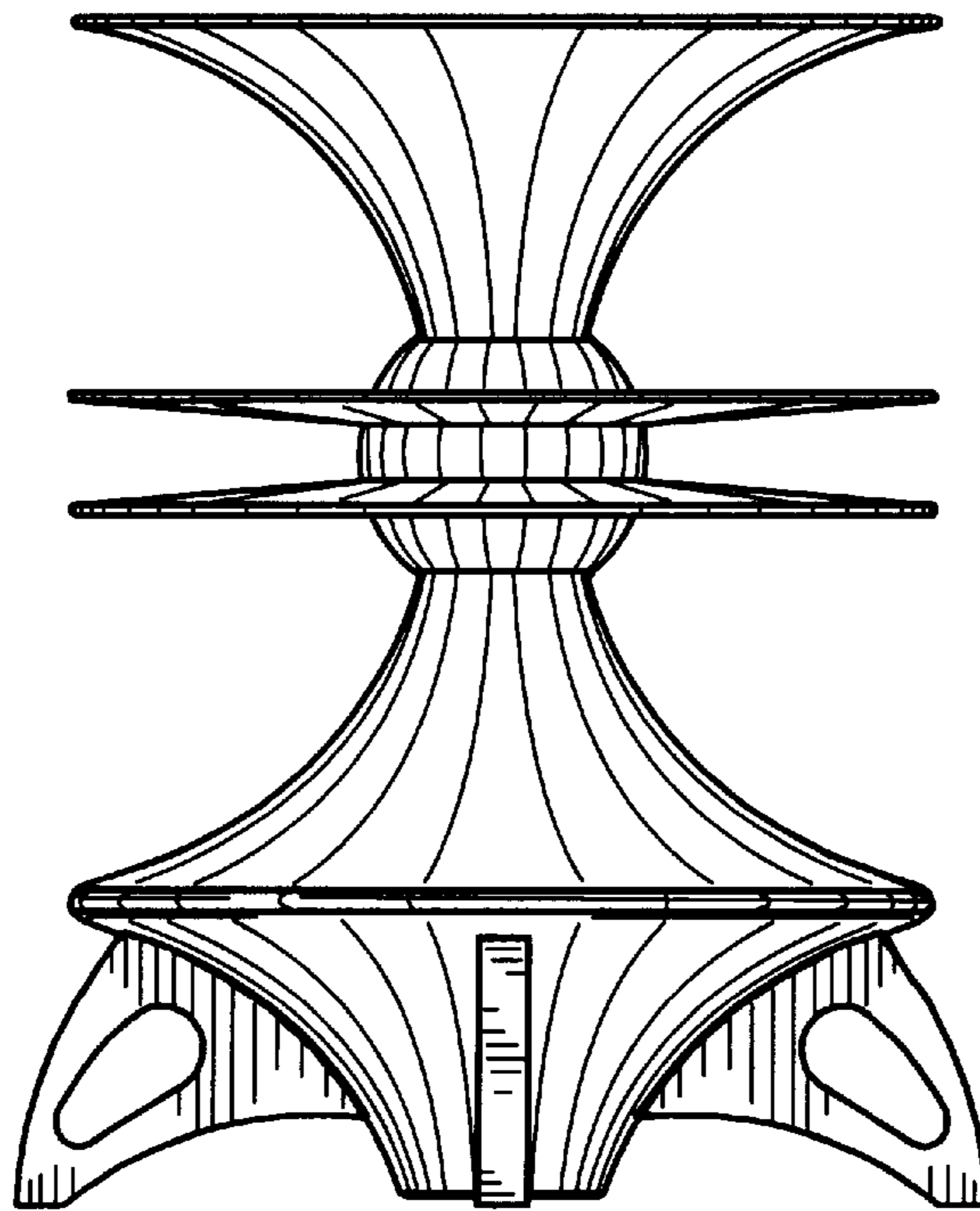


Fig. 3

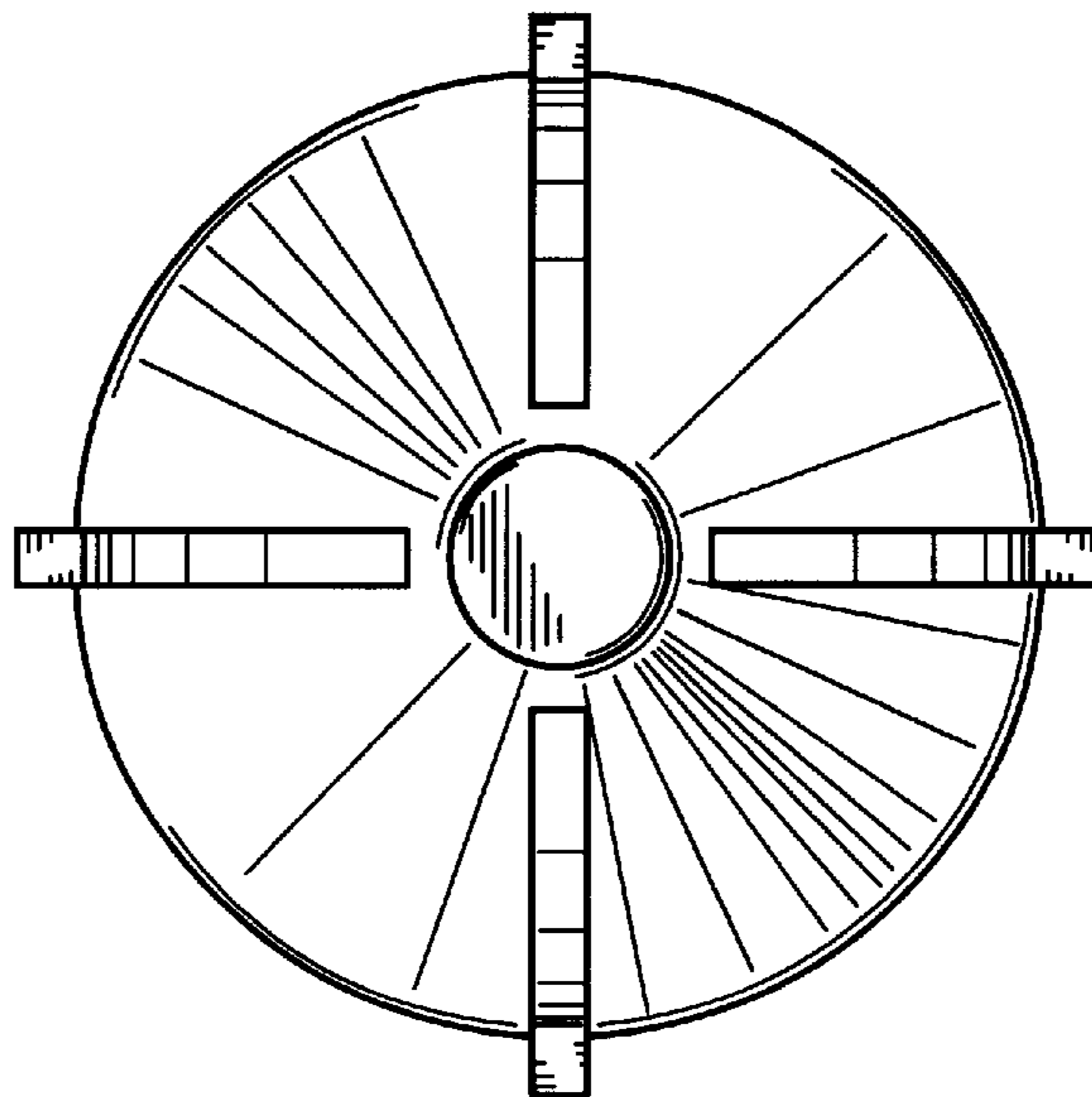


Fig. 4