



US00D411280S

# United States Patent [19]

Van Ek et al.

[11] Patent Number: **Des. 411,280**

[45] Date of Patent: **\*\* Jun. 22, 1999**

[54] **MONOLITHIC GUN SUPPORT**

4,676,021 6/1987 Groba ..... 42/94  
5,685,104 11/1997 Breazeale, Jr. .... 42/94

[75] Inventors: **Kenneth R. Van Ek; Thomas H. Van Ek**, both of Hudsonville; **Wayd D. Gorby**, Allegan, all of Mich.

*Primary Examiner*—Louis S. Zarfaz  
*Assistant Examiner*—Monica A. Weingart  
*Attorney, Agent, or Firm*—Young & Basile

[73] Assignee: **GoVan Products, L.L.C.**, Jenison, Mich.

[57] **CLAIM**

[\*\*] Term: **14 Years**

The ornamental design for a monolithic gun support, as shown and described.

[21] Appl. No.: **29/089,962**

### DESCRIPTION

[22] Filed: **Jun. 26, 1998**

[51] **LOC (6) Cl.** ..... **22-01**

[52] **U.S. Cl.** ..... **D22/108; D22/100; D22/199**

[58] **Field of Search** ..... **D22/100, 108, D22/199; 42/94; 89/37.04; 211/64; D6/552**

FIG. 1 is a perspective view of an ornamental design for a monolithic gun support according to the present invention; FIG. 2 is an end view of the monolithic gun support illustrated in FIG. 1;

FIG. 3 is an end view of the monolithic gun support illustrated in FIG. 1 opposite from the end depicted in FIG. 2;

FIG. 4 is a plan view of the monolithic gun support illustrated in FIG. 1, where the bottom view is a mirror image of FIG. 4; and,

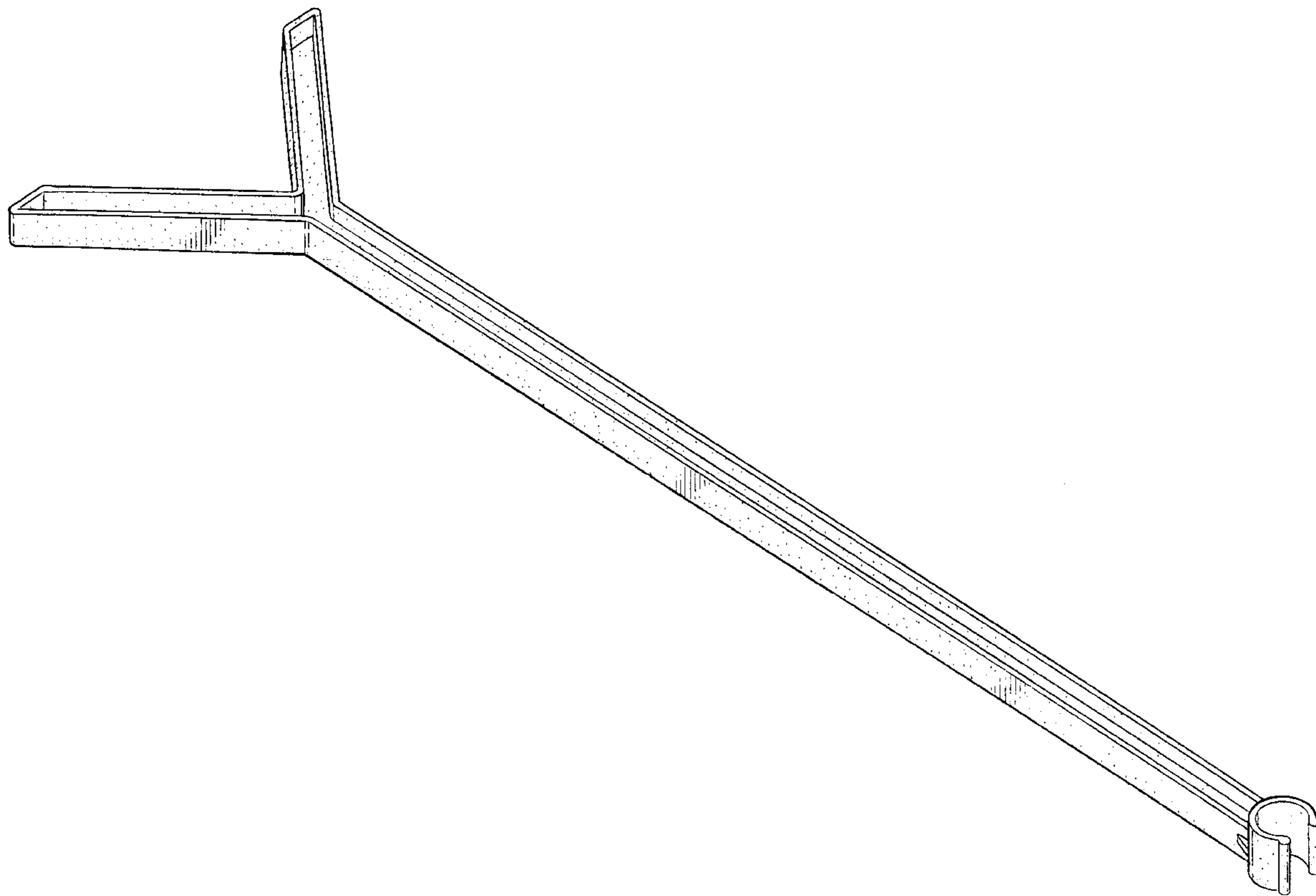
FIG. 5 is a side view of the monolithic gun support illustrated in FIG. 1, where the opposite side view is a mirror image of that illustrated in FIG. 5.

### [56] **References Cited**

#### U.S. PATENT DOCUMENTS

D. 377,823	2/1997	Rainwater	.....	D22/108
D. 382,035	8/1997	Swicegood	.....	D22/108
3,225,656	12/1965	Flaherty et al.	.....	42/94
3,313,505	4/1967	Petrie	.....	42/94
3,703,046	11/1972	Barone et al.	.....	42/94

**1 Claim, 2 Drawing Sheets**



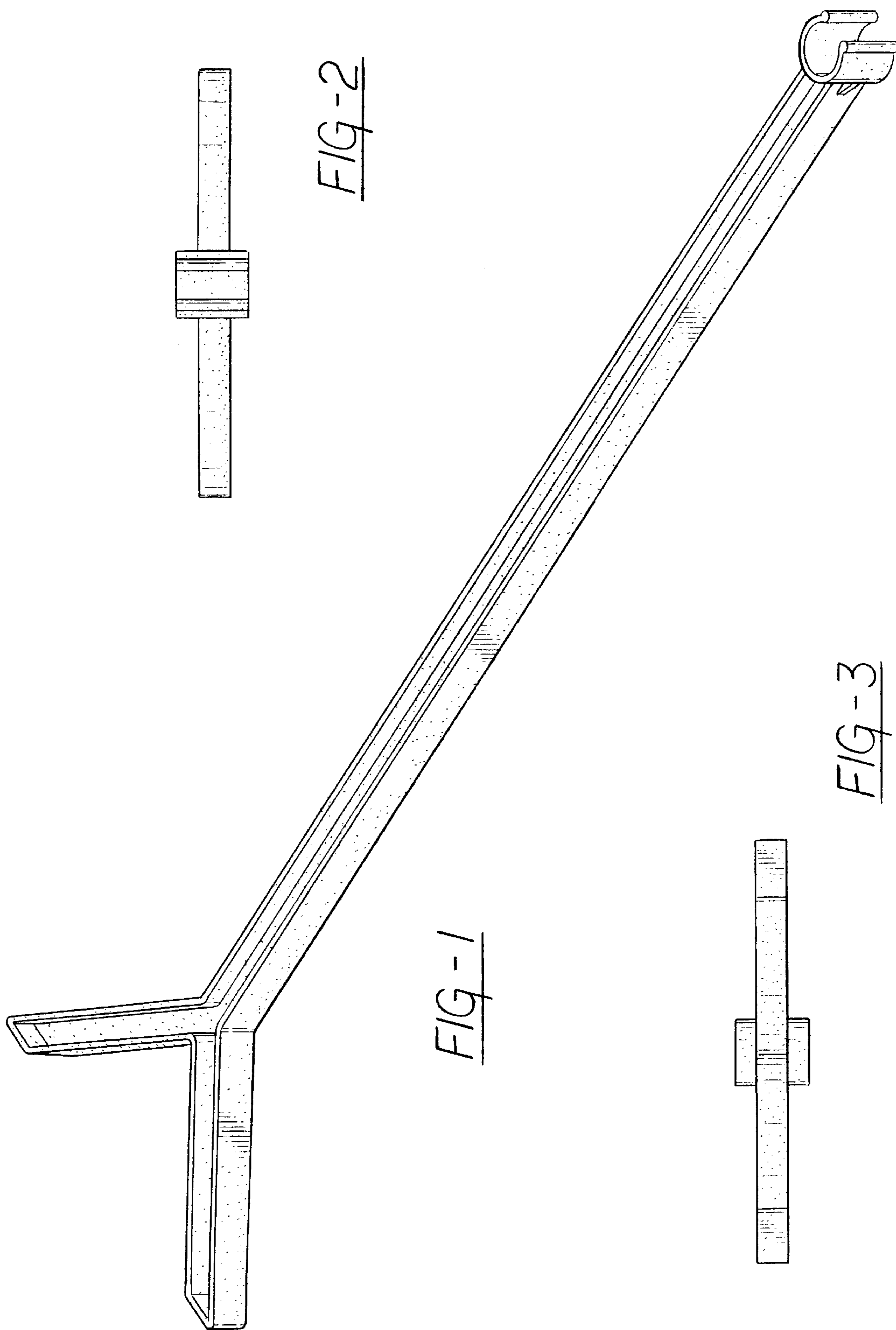


FIG-2

FIG-1

FIG-3

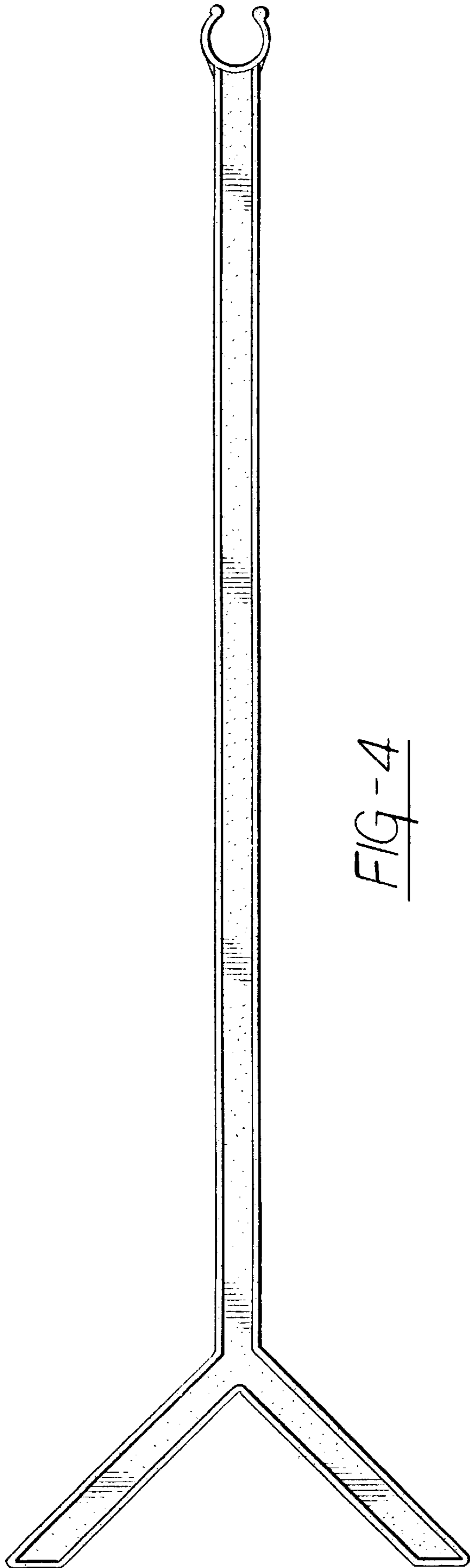


FIG-4

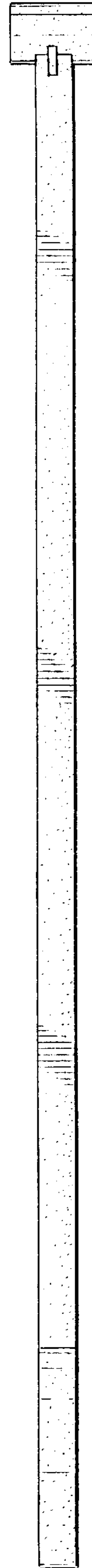


FIG-5