



US00D411279S

United States Patent [19]

Hoffman et al.

[11] Patent Number: **Des. 411,279**

[45] Date of Patent: **** Jun. 22, 1999**

[54] **GLIDER SWING**

[75] Inventors: **Donald E. Hoffman**, Wayland; **George Black**, North Grafton, both of Mass.

[73] Assignee: **Creative Playthings, Ltd.**, Framingham, Mass.

[**] Term: **14 Years**

[21] Appl. No.: **29/092,749**

[22] Filed: **Aug. 26, 1998**

[51] **LOC (6) Cl.** **21-03**

[52] **U.S. Cl.** **D21/823**

[58] **Field of Search** D21/823-825;
473/118-125

[56] **References Cited**

U.S. PATENT DOCUMENTS

D. 339,623	9/1993	Nolan	D21/823
D. 350,381	9/1994	Coddington, Jr. et al.	D21/823
D. 366,687	1/1996	Nolan et al.	D21/823
D. 367,099	2/1996	Coddington, Jr. et al.	D21/823

2,059,777	11/1936	Denney	472/124
5,396,268	3/1995	Cunard et al.	472/120
5,413,298	5/1995	Perreault	248/228

Primary Examiner—Mitchell I. Siegel
Attorney, Agent, or Firm—Cooper and Dunham LLP

[57] **CLAIM**

The ornamental design for a glider swing, as shown and described.

DESCRIPTION

FIG. 1 is a front perspective view of a glider swing in accordance with our design;
FIG. 2 is a side view of the glider swing of FIG. 1;
FIG. 3 is a front view of the glider swing of FIG. 1;
FIG. 4 is a plan view of the glider swing of FIG. 1; and,
FIG. 5 is a bottom view of the glider swing of FIG. 1.
The broken line showing of a fragmented support on FIG. 1 is for illustrative purposes only and forms no part of the claimed design.
The undisclosed rear and opposite side of FIG. 2 of the glider swing forms no part of the claimed design.

1 Claim, 3 Drawing Sheets

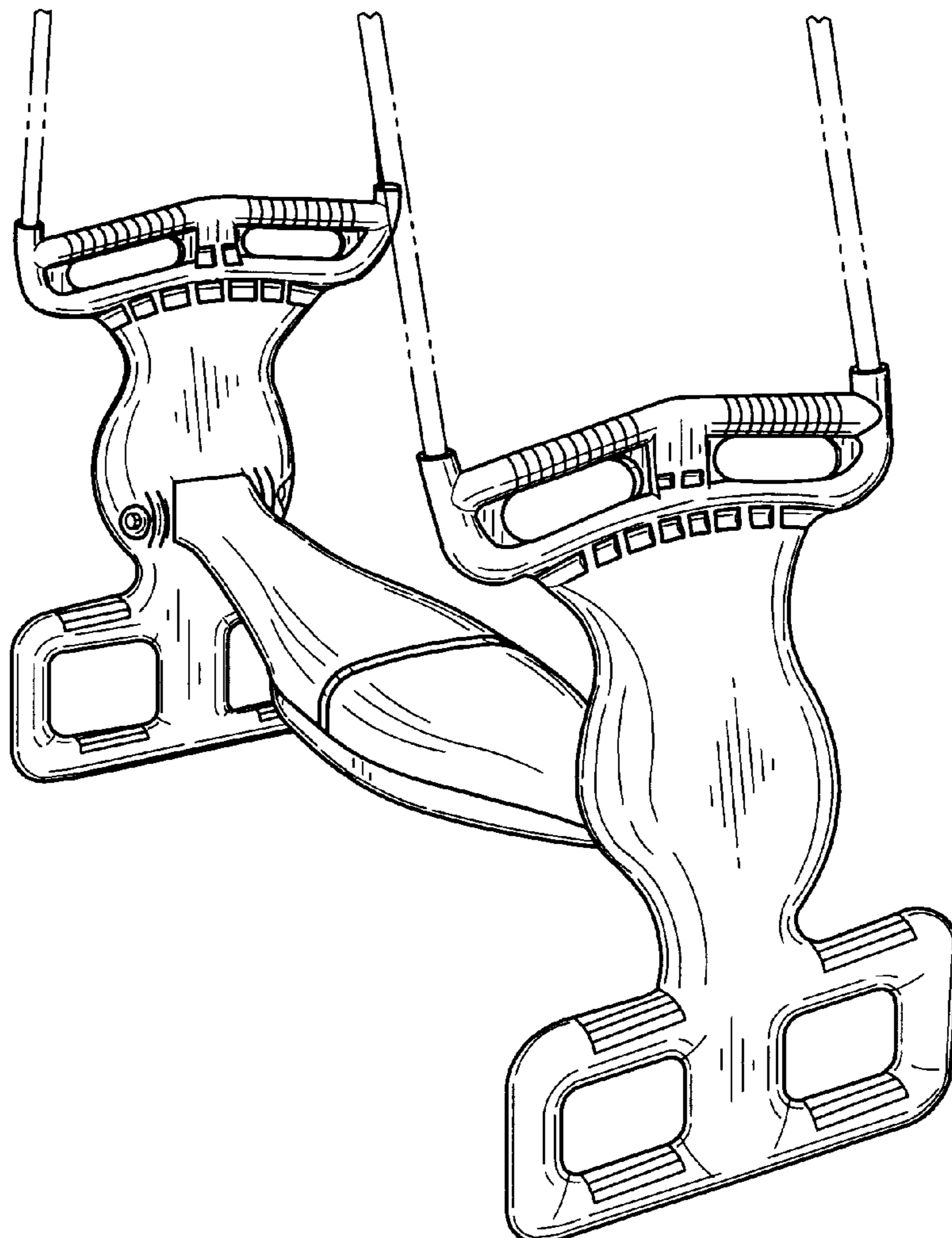


FIG. 1

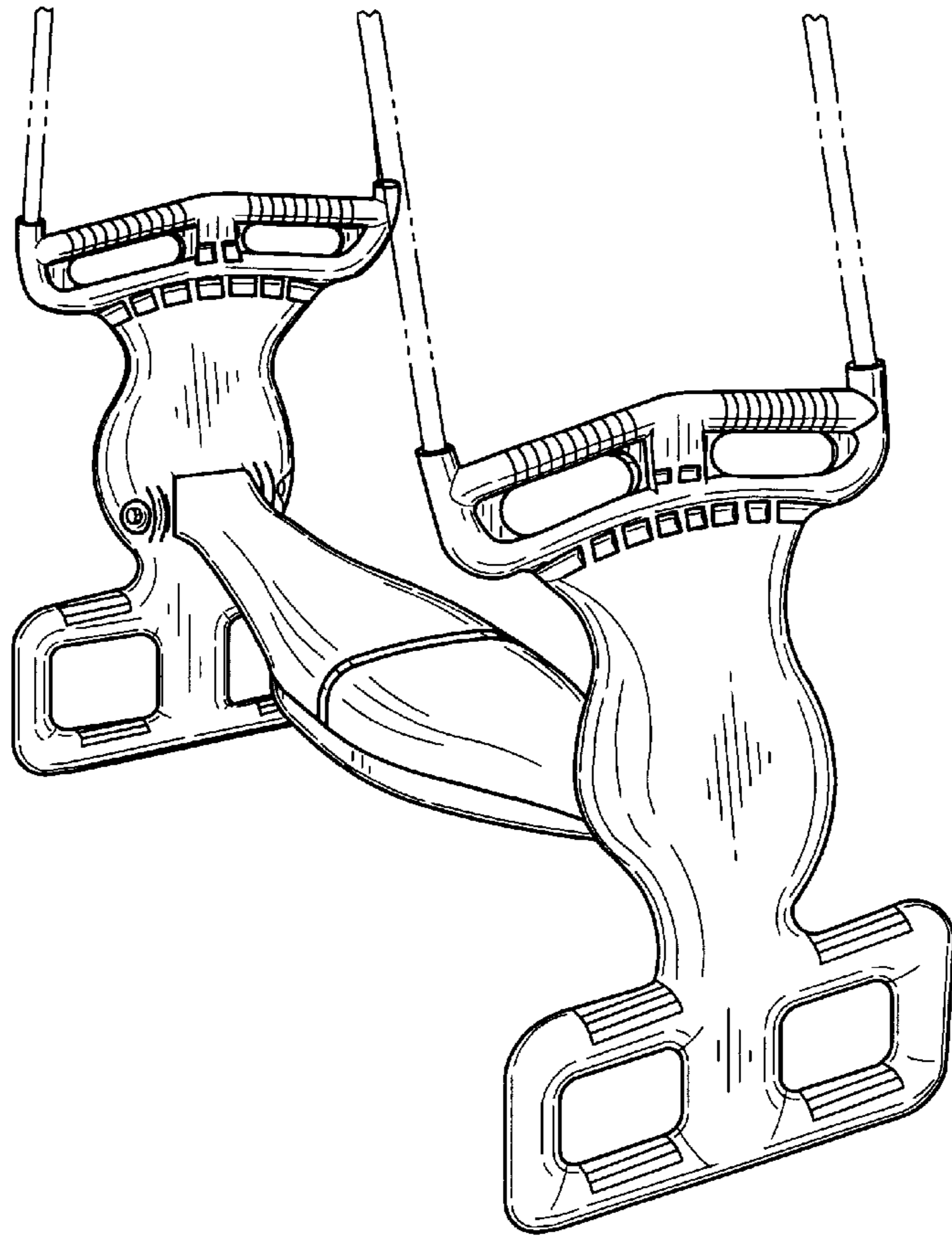


FIG. 2

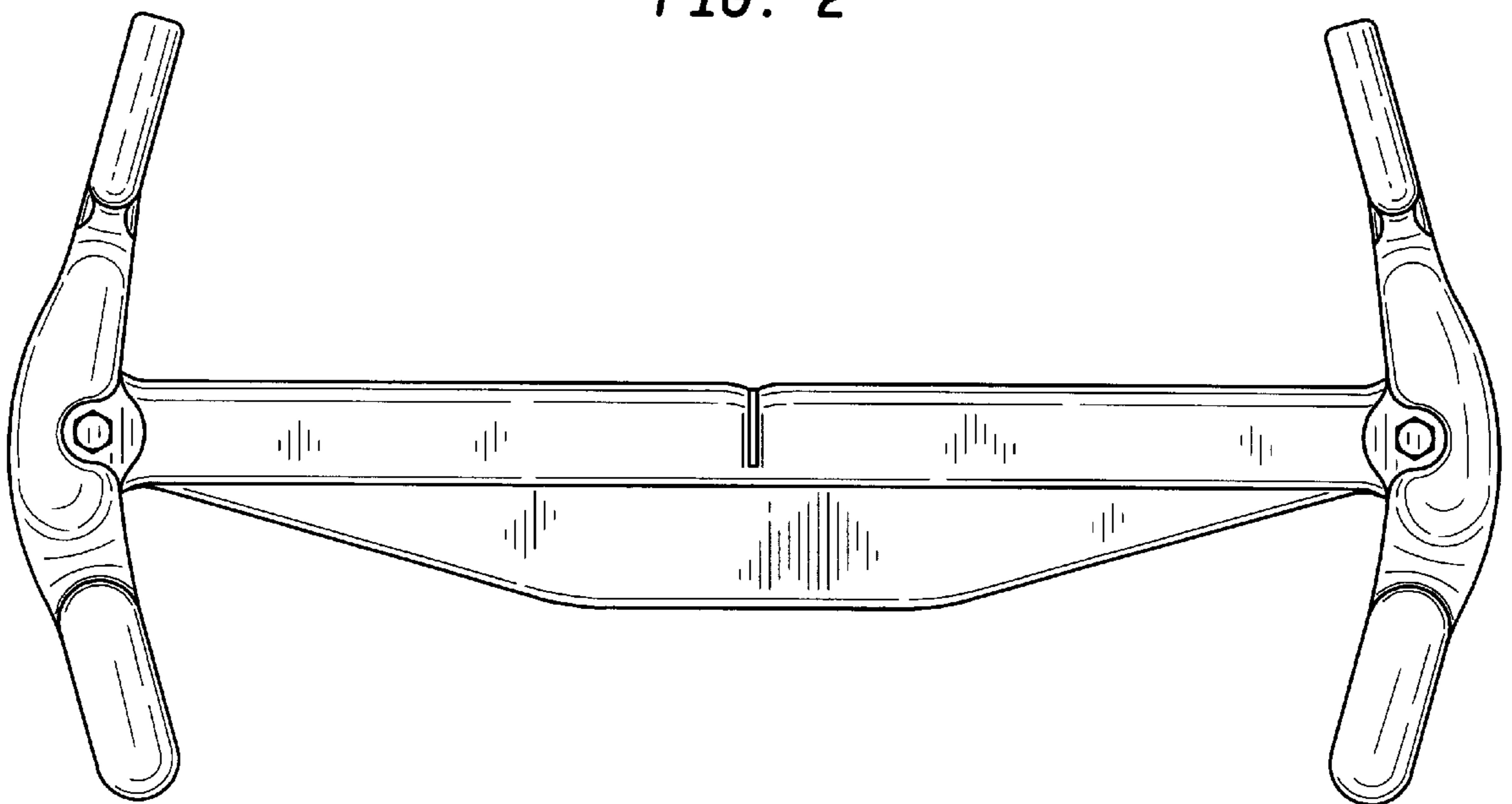


FIG. 3

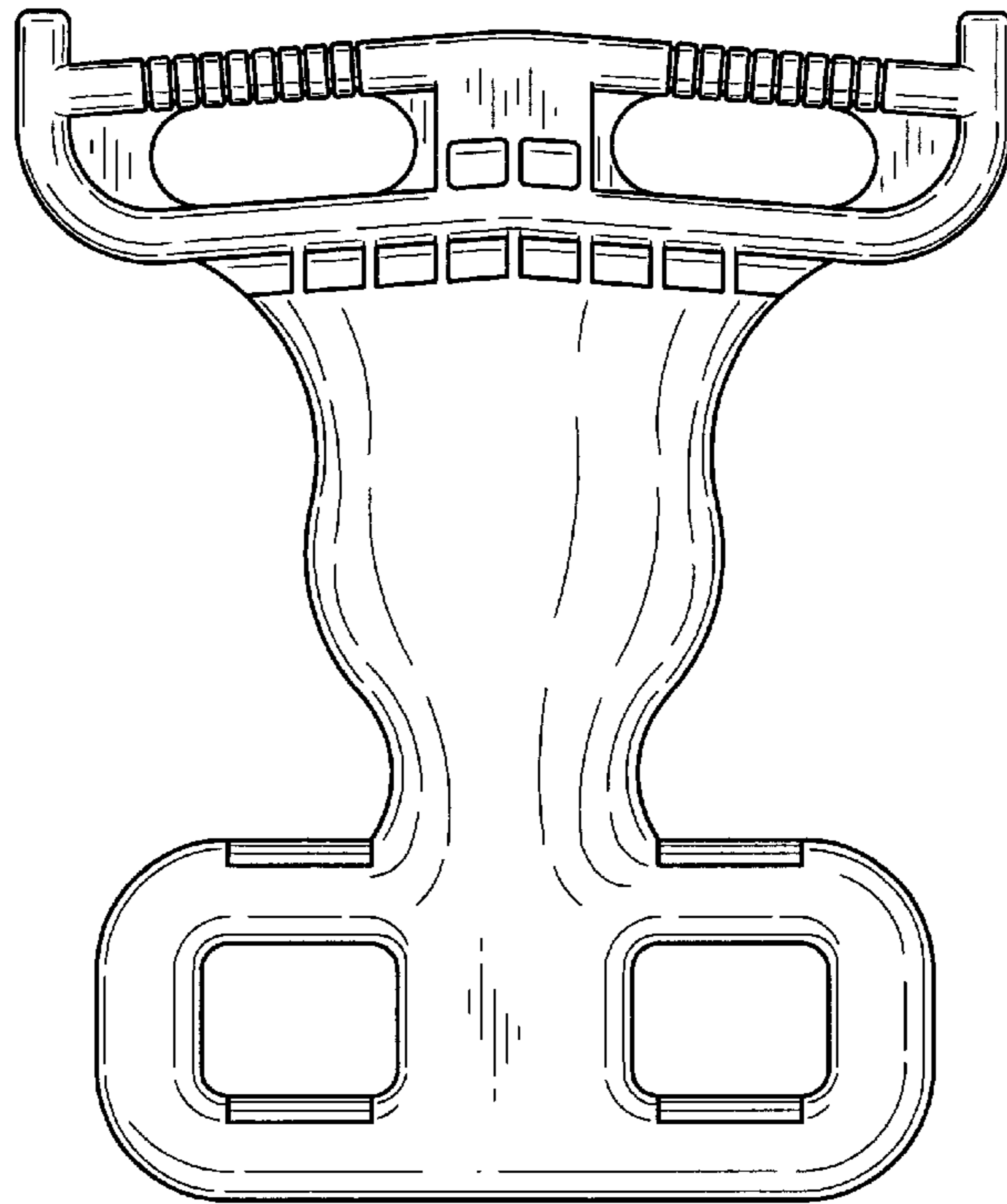


FIG. 4

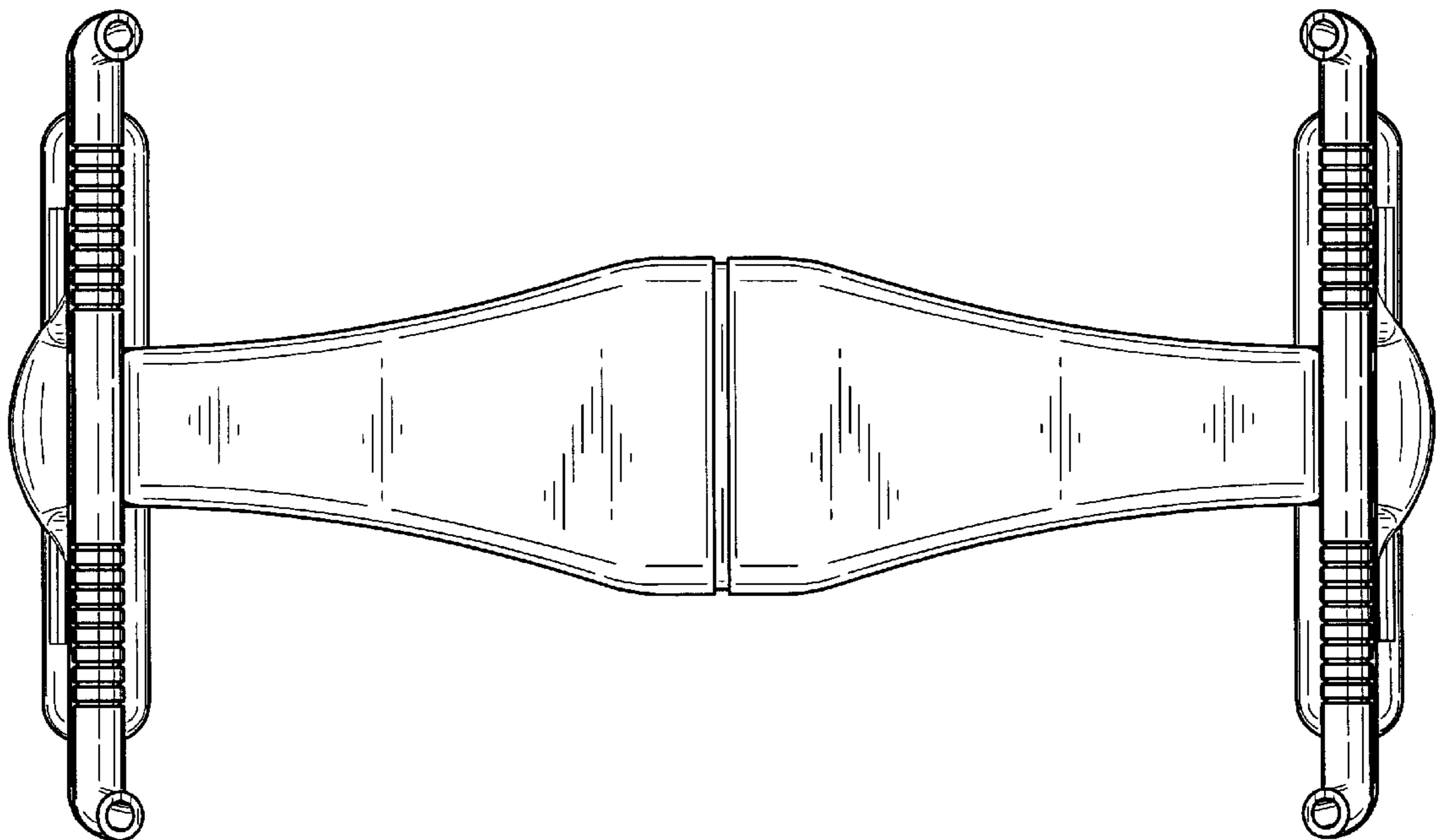


FIG. 5

