



US00D411276S

**United States Patent** [19]  
**Rosenfeld**

[11] **Patent Number: Des. 411,276**

[45] **Date of Patent: \*\* Jun. 22, 1999**

[54] **GOLF DEVICE**

[76] Inventor: **Patrik C. Rosenfeld**, Nedre Eneborgsvagen 2c, S-252 68 Helsingborg, Sweden

[\*\*] Term: **14 Years**

[21] Appl. No.: **29/092,450**

[22] Filed: **Aug. 19, 1998**

[51] **LOC (6) Cl.** ..... **21-02**

[52] **U.S. Cl.** ..... **D21/789; D21/794; D21/718**

[58] **Field of Search** ..... D21/789, 793, D21/794, 717, 718; 473/285, 406, 407, 386, 387, 284

[56] **References Cited**

**U.S. PATENT DOCUMENTS**

- D. 158,622 5/1950 Sherwin ..... D21/791
- D. 244,397 5/1977 Graham ..... D21/791
- D. 347,457 5/1994 Armstrong, III ..... D21/791

- D. 385,939 11/1997 Suk ..... D21/794
- 1,735,736 11/1929 Davidson ..... 473/406
- 3,347,551 10/1967 Dreyfus ..... 473/257

*Primary Examiner*—Mitchell I. Siegel  
*Attorney, Agent, or Firm*—Dvorak & Orum

[57] **CLAIM**

I claim the ornamental design for a golf device, as shown and described.

**DESCRIPTION**

FIG. 1 is a perspective view of a golf device showing ny new design;

FIG. 2 is a side elevational view, the opposite side being a mirror image thereof;

FIG. 3 is a front elevational view thereof;

FIG. 4 is a rear elevational view thereof;

FIG. 5 is a top plan view thereof; and,

FIG. 6 is a bottom plan view thereof.

**1 Claim, 1 Drawing Sheet**

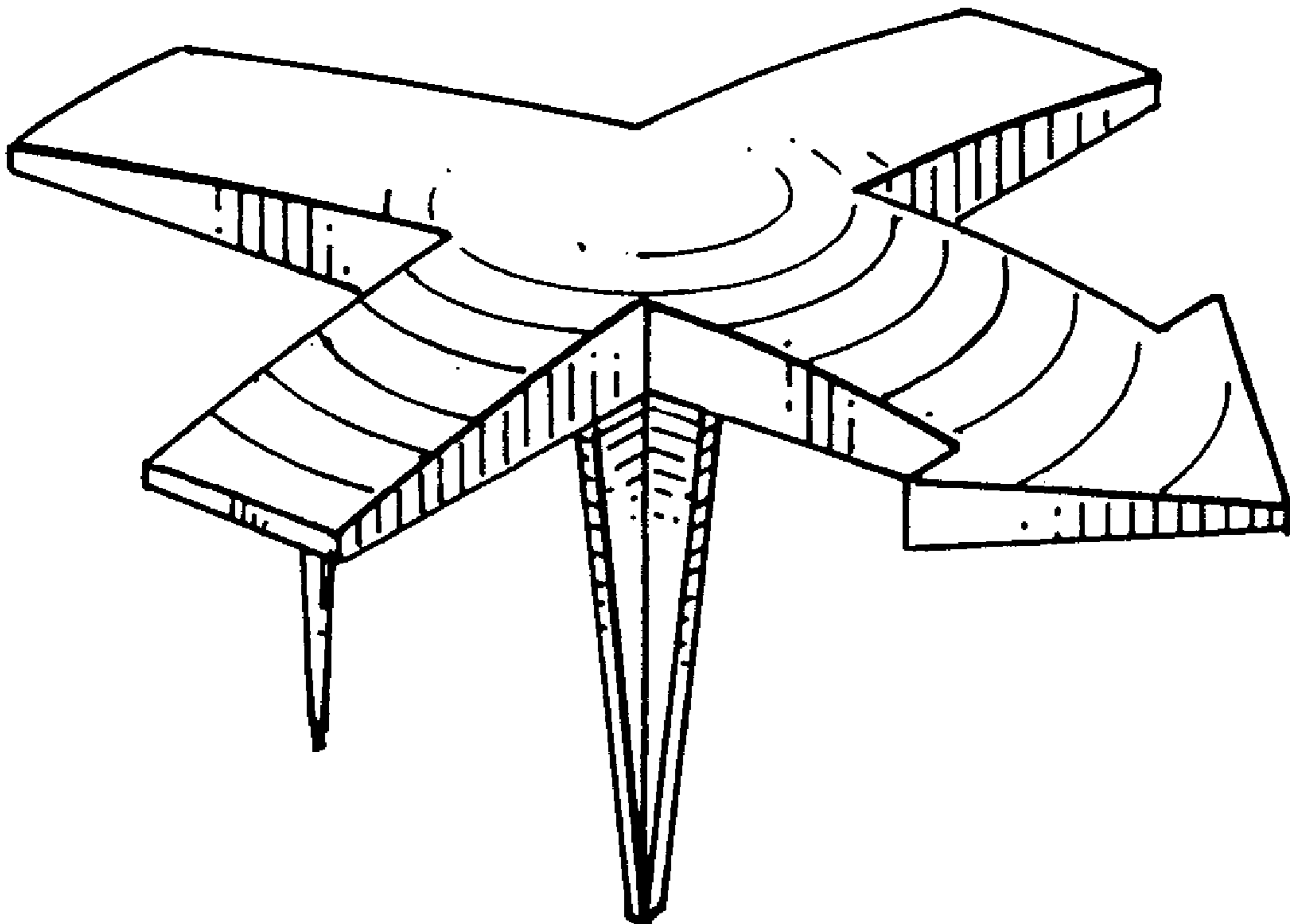


FIG. 1

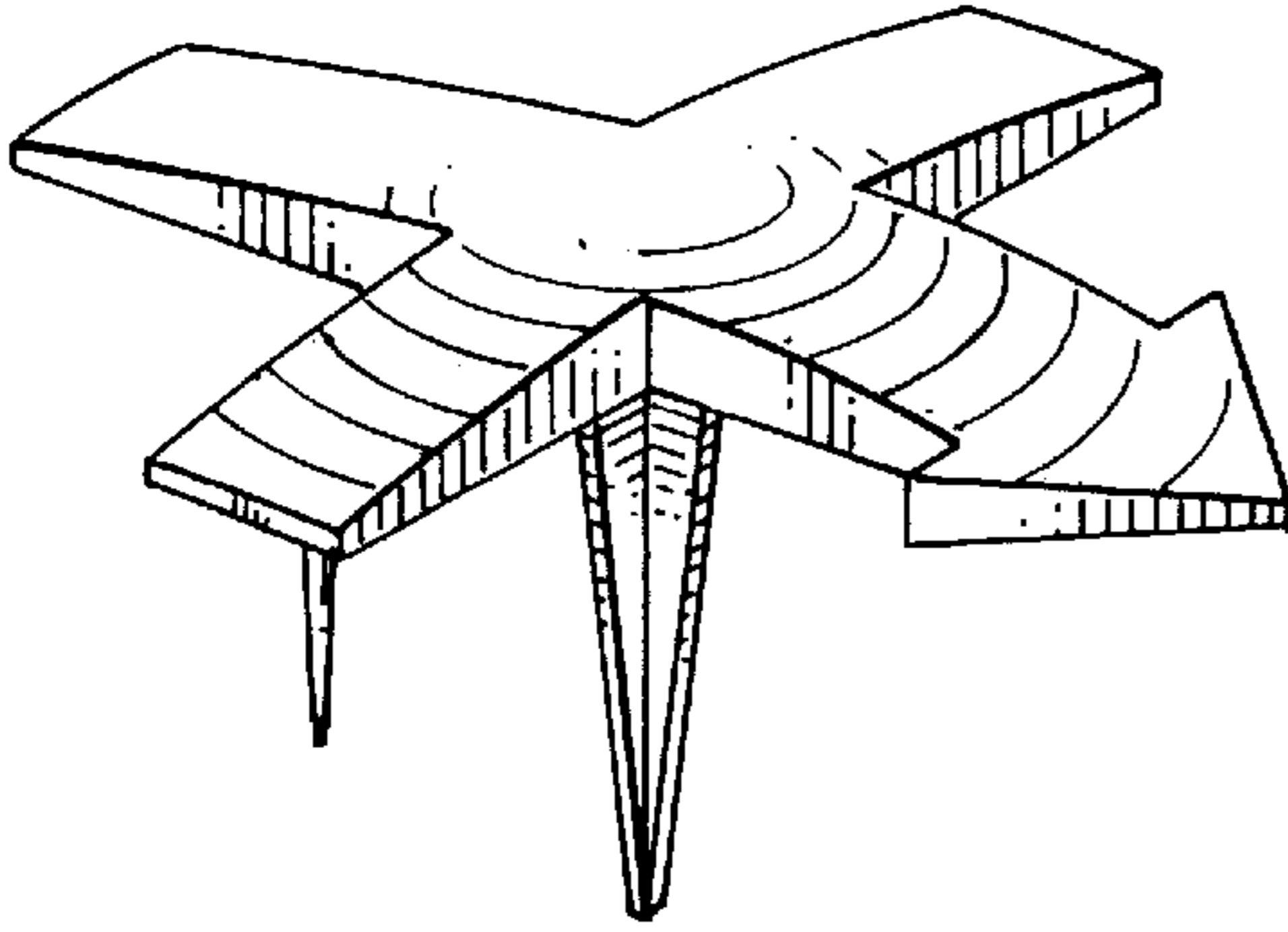


FIG. 2

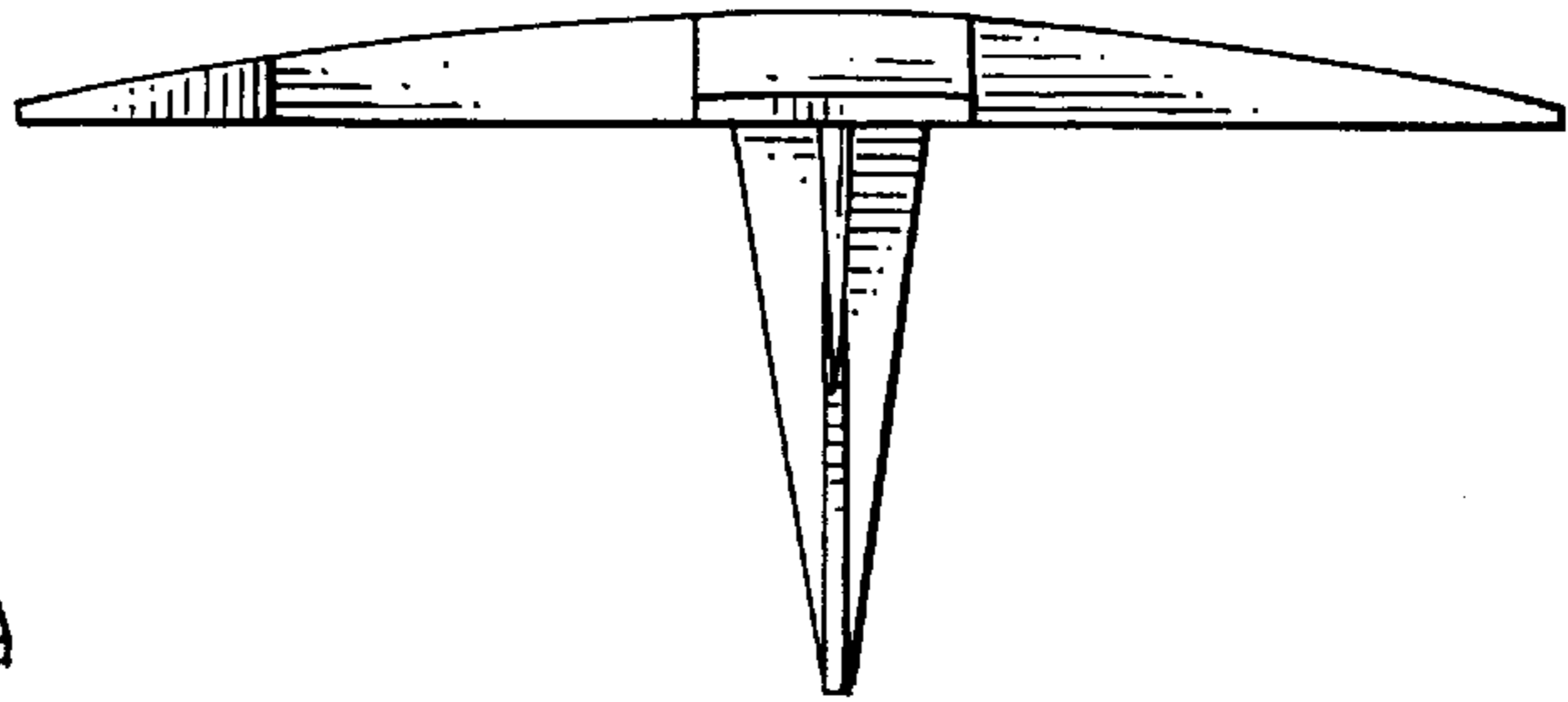


FIG. 3

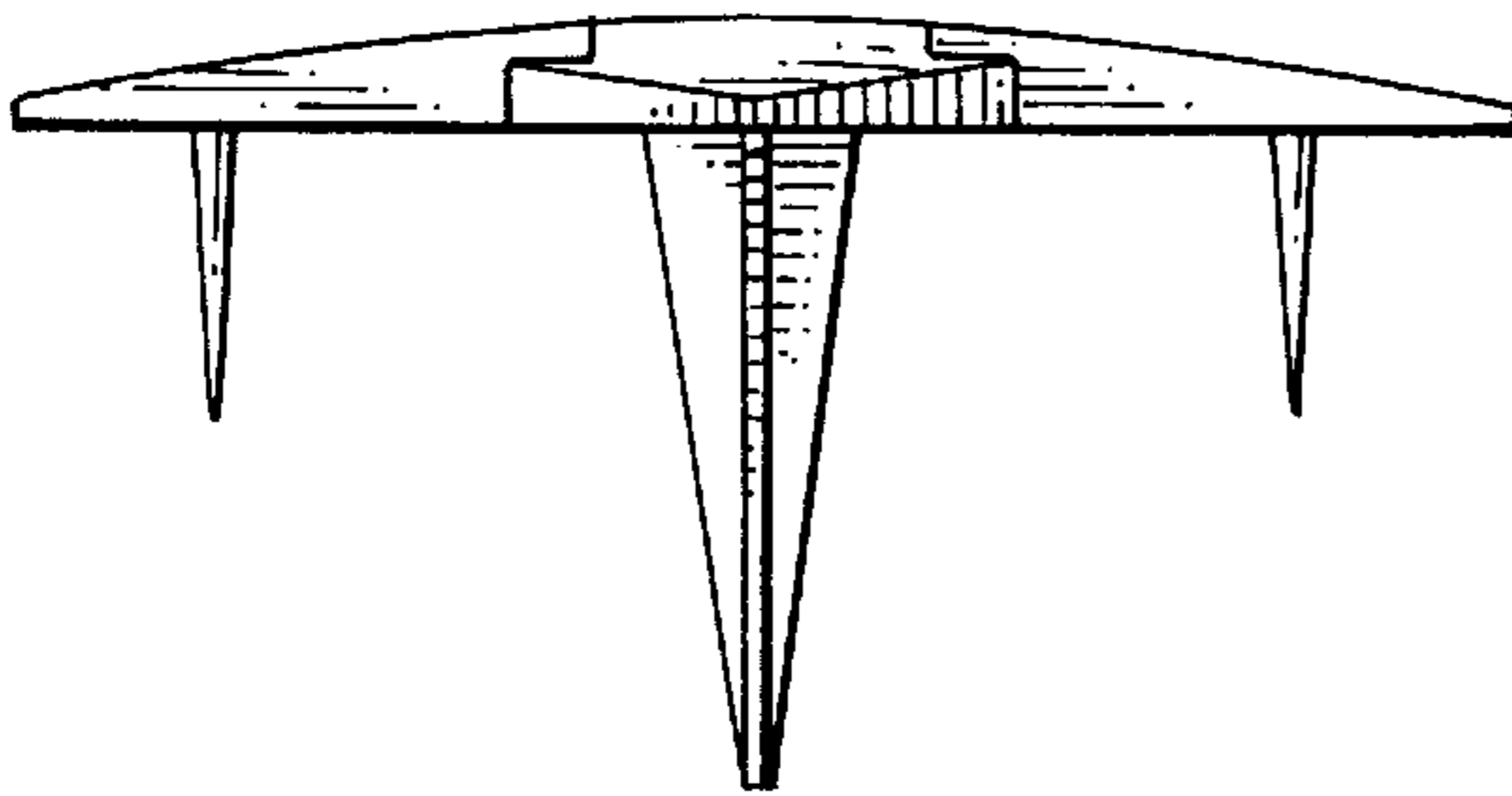


FIG. 4

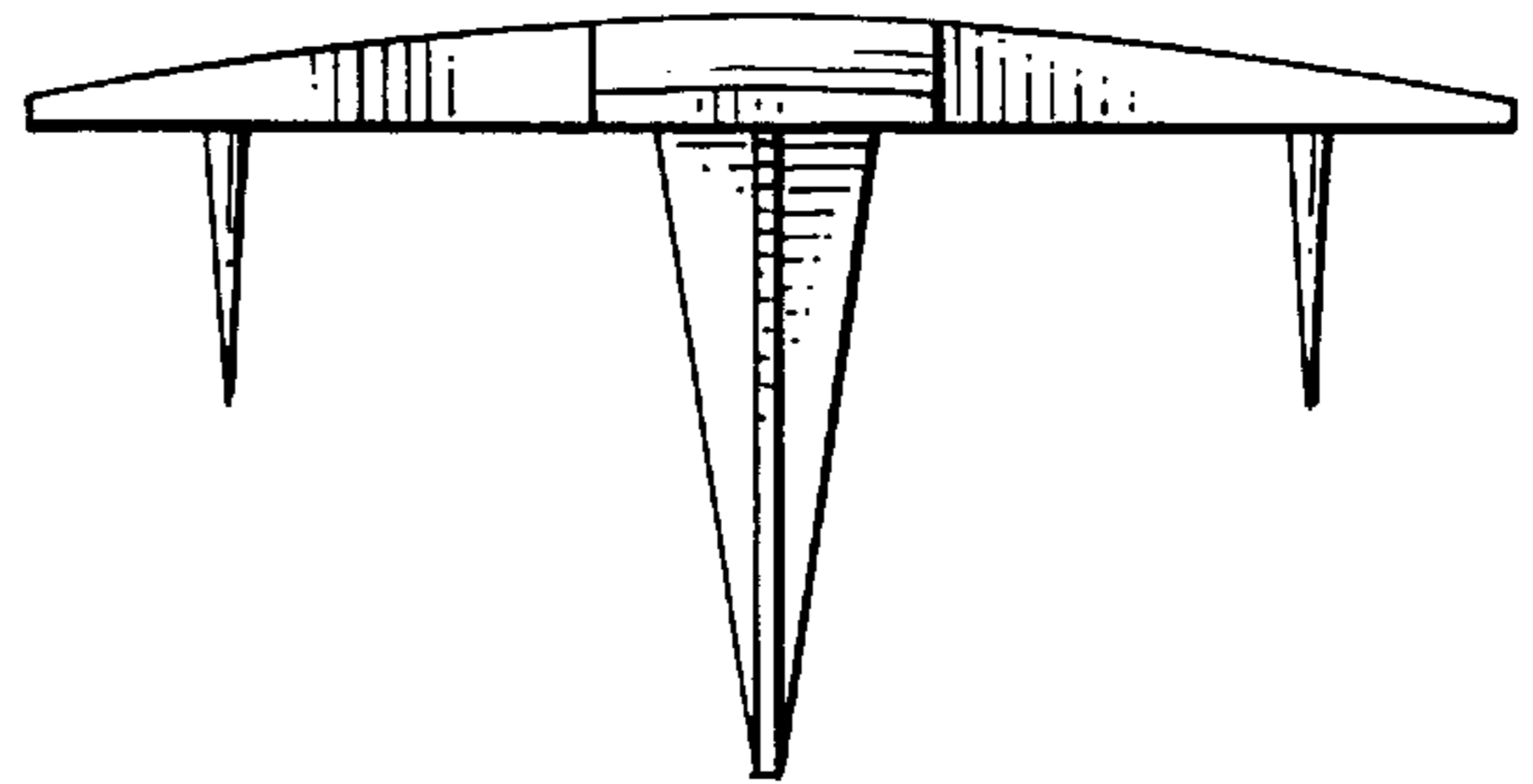


FIG. 5

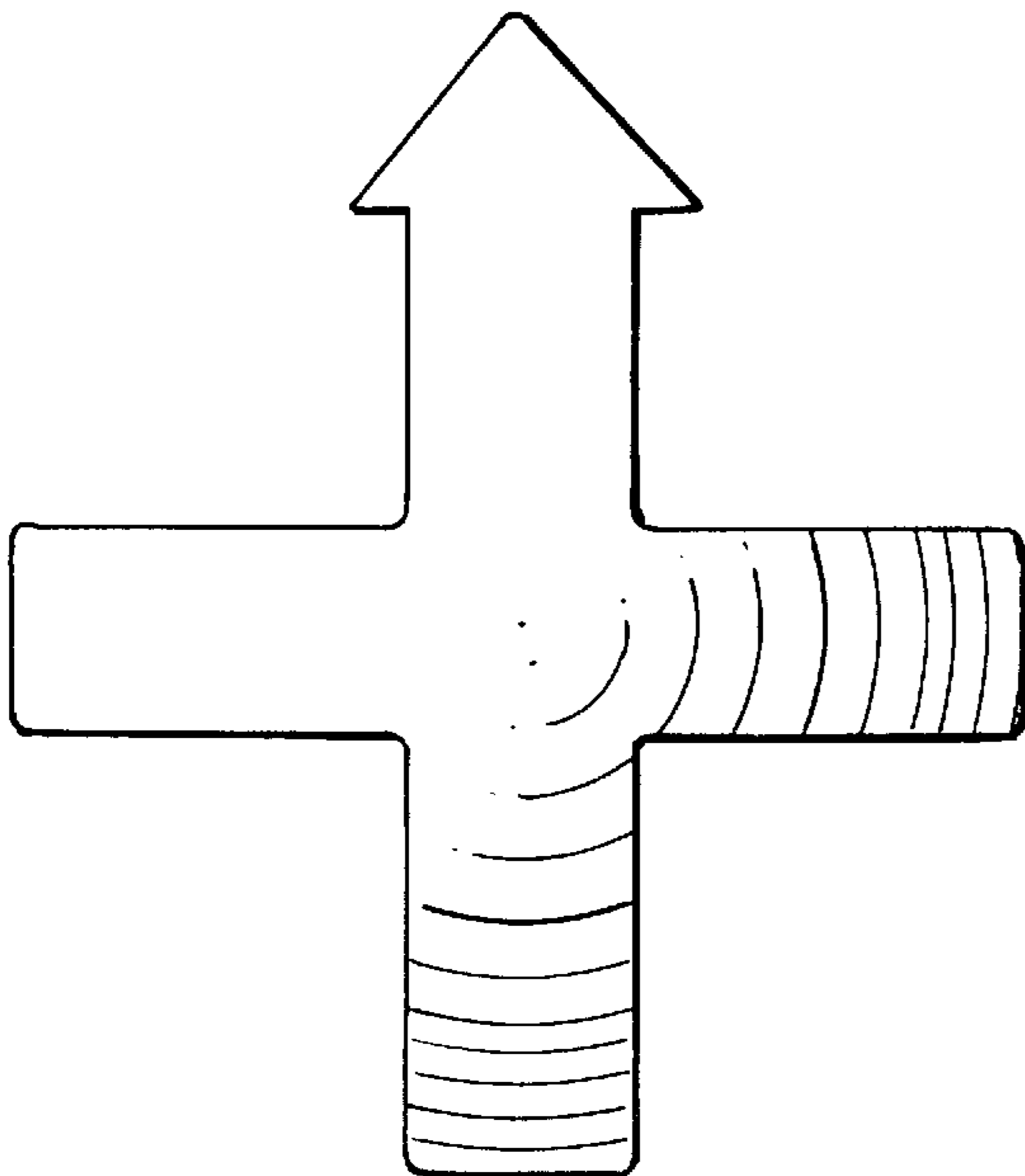


FIG. 6

