



US00D411275S

# United States Patent [19]

Bottema et al.

[11] Patent Number: **Des. 411,275**

[45] Date of Patent: **\*\* Jun. 22, 1999**

[54] **PUTTER FACE DESIGN NUBBINS**

3-23877 1/1991 Japan .  
4301 of 1912 United Kingdom .

[75] Inventors: **Robert A. Bottema; Joseph H. Hoffman**, both of Carlsbad, Calif.

### OTHER PUBLICATIONS

[73] Assignee: **Taylor Made Golf Company, Inc.**, Carlsbad, Calif.

The Clubmaker's Art, pp.: Cover, 1, 176, 193 & 237.  
Golf World (Mar. 27, 1998), pp.: Cover, 2, 6 and 41.

[\*\*] Term: **14 Years**

*Primary Examiner*—Philips S. Hyder  
*Assistant Examiner*—Mitchell I. Siegel  
*Attorney, Agent, or Firm*—Robert E. Browne

[21] Appl. No.: **29/086,759**

[22] Filed: **Apr. 20, 1998**

### [57] CLAIM

[51] **LOC (6) Cl.** ..... **21-02**

[52] **U.S. Cl.** ..... **D21/759**

[58] **Field of Search** ..... D21/736-746;  
473/251-256, 340, 341, 350

The ornamental design for putter face design nubbins, as shown and described.

### DESCRIPTION

### [56] References Cited

#### U.S. PATENT DOCUMENTS

D. 57,980	5/1921	Kraeuter	.....	D21/736
D. 63,284	11/1923	Challis	.....	D21/736
D. 79,684	10/1929	Munro-Spencer	.....	D21/736
D. 138,380	7/1944	Myers et al.	.....	D21/736
1,494,494	5/1924	Lippincott	.....	473/350

FIG. 1 is a front elevational view of a golf putter face showing a first embodiment of our new design;  
FIG. 2 is perspective view of the putter face design of the first embodiment;  
FIG. 3 is a sectional view of FIG. 2 along line III—III; and,  
FIG. 4 is a bottom plan view of the putter face design of the first embodiment.

The broken line showing of the golf club head is for illustrative purposes only and forms no part of the claimed design.

#### FOREIGN PATENT DOCUMENTS

H4-47468 8/1990 Japan .

**1 Claim, 2 Drawing Sheets**

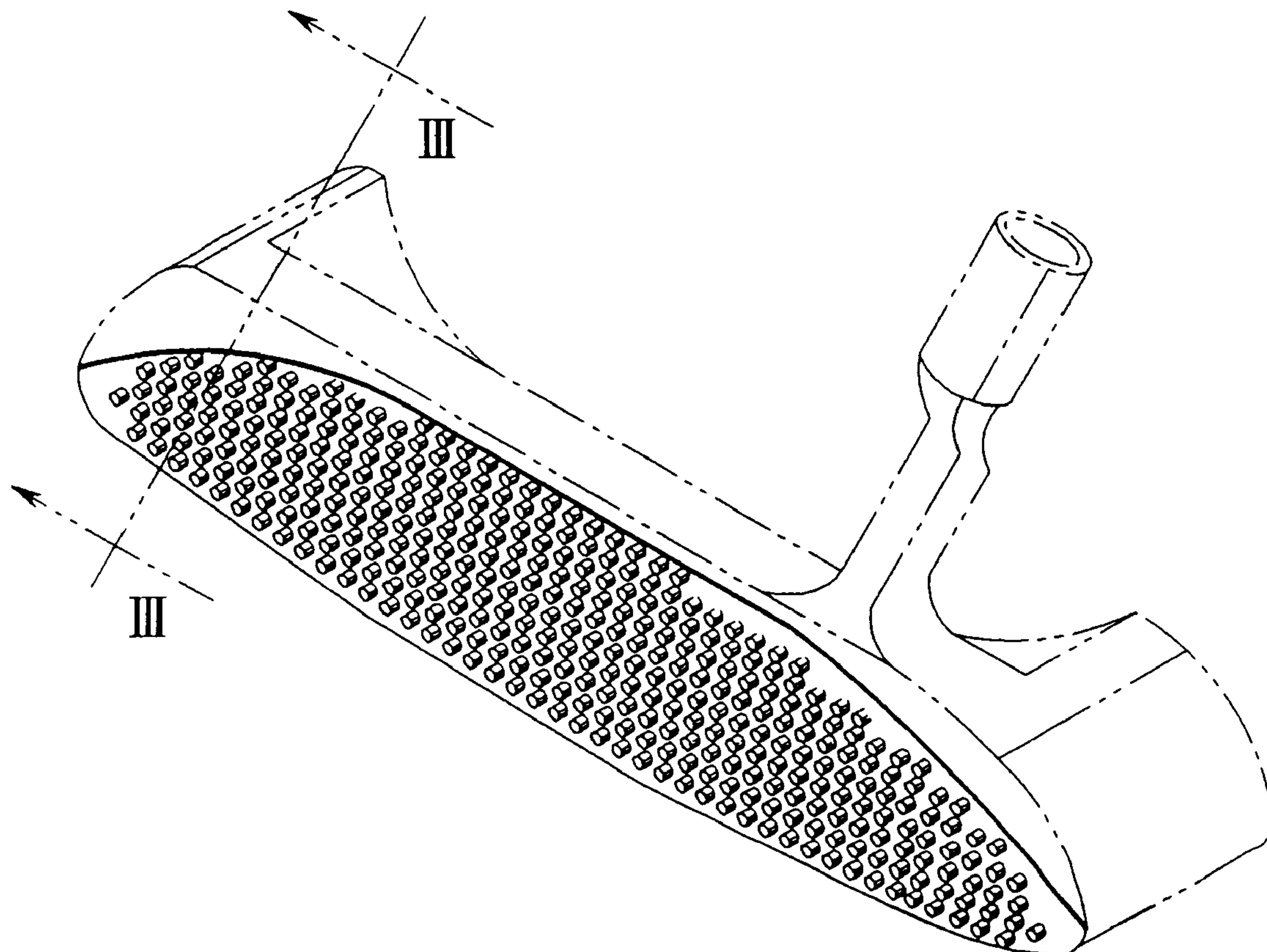


FIG. 1

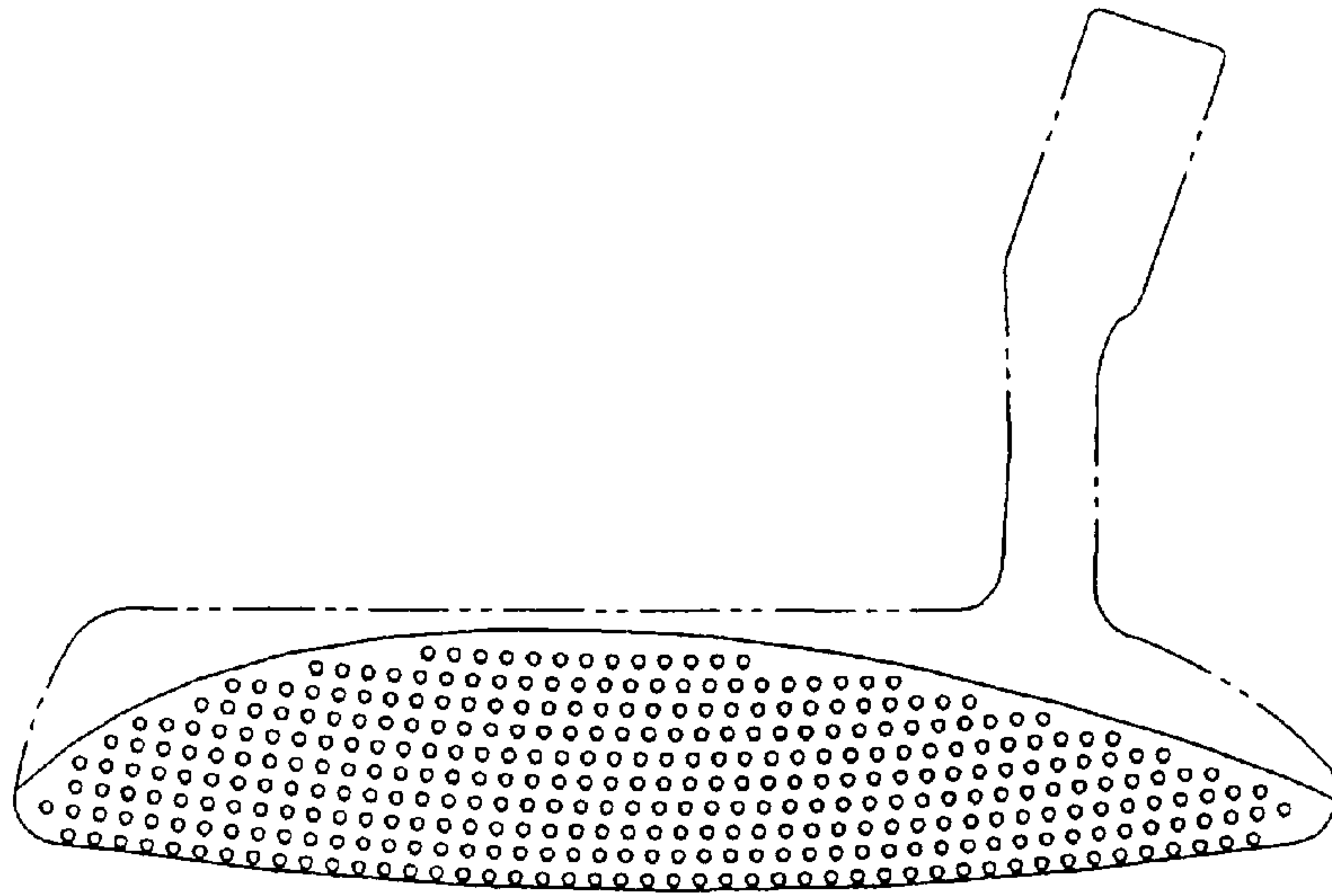


FIG. 2

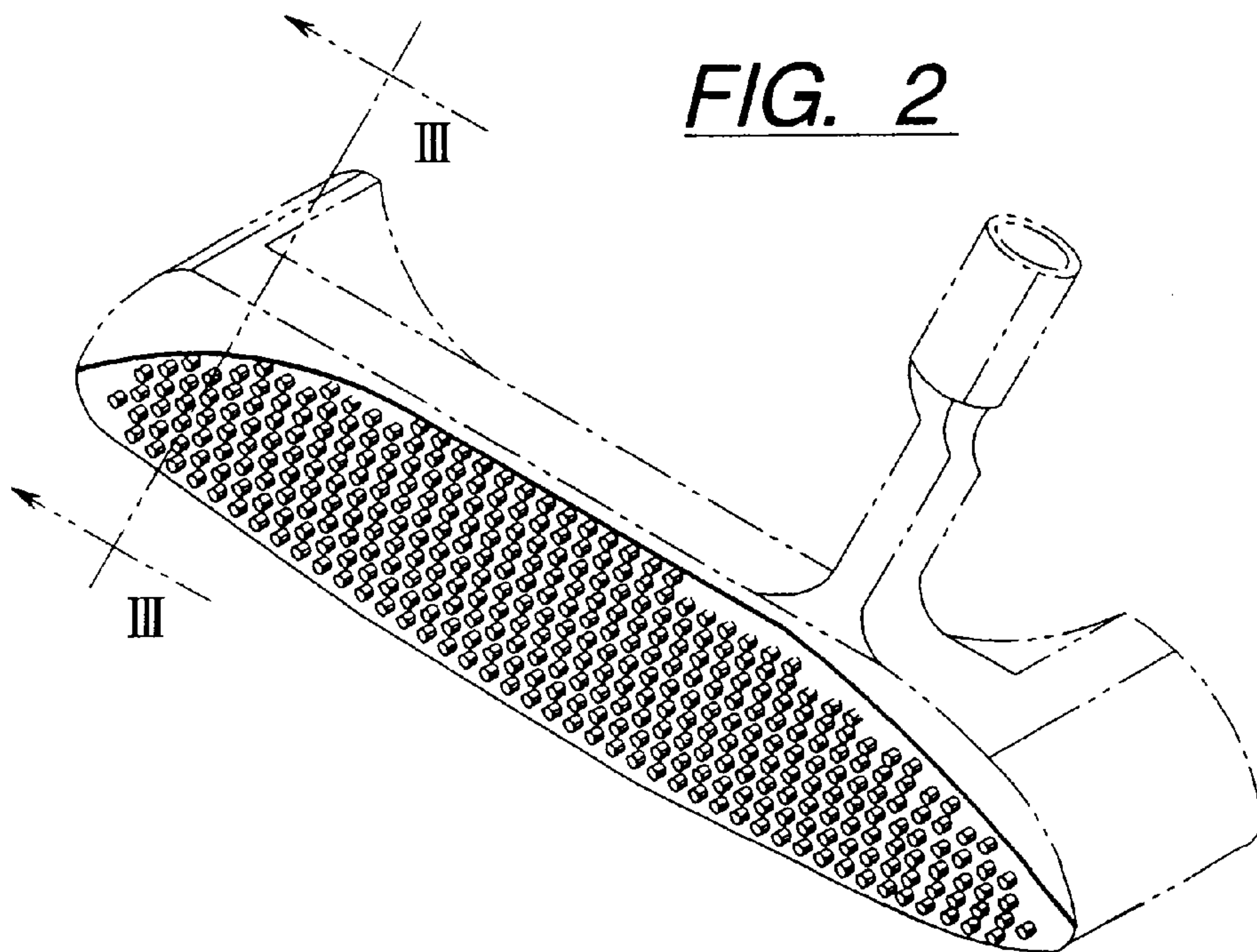


FIG. 3

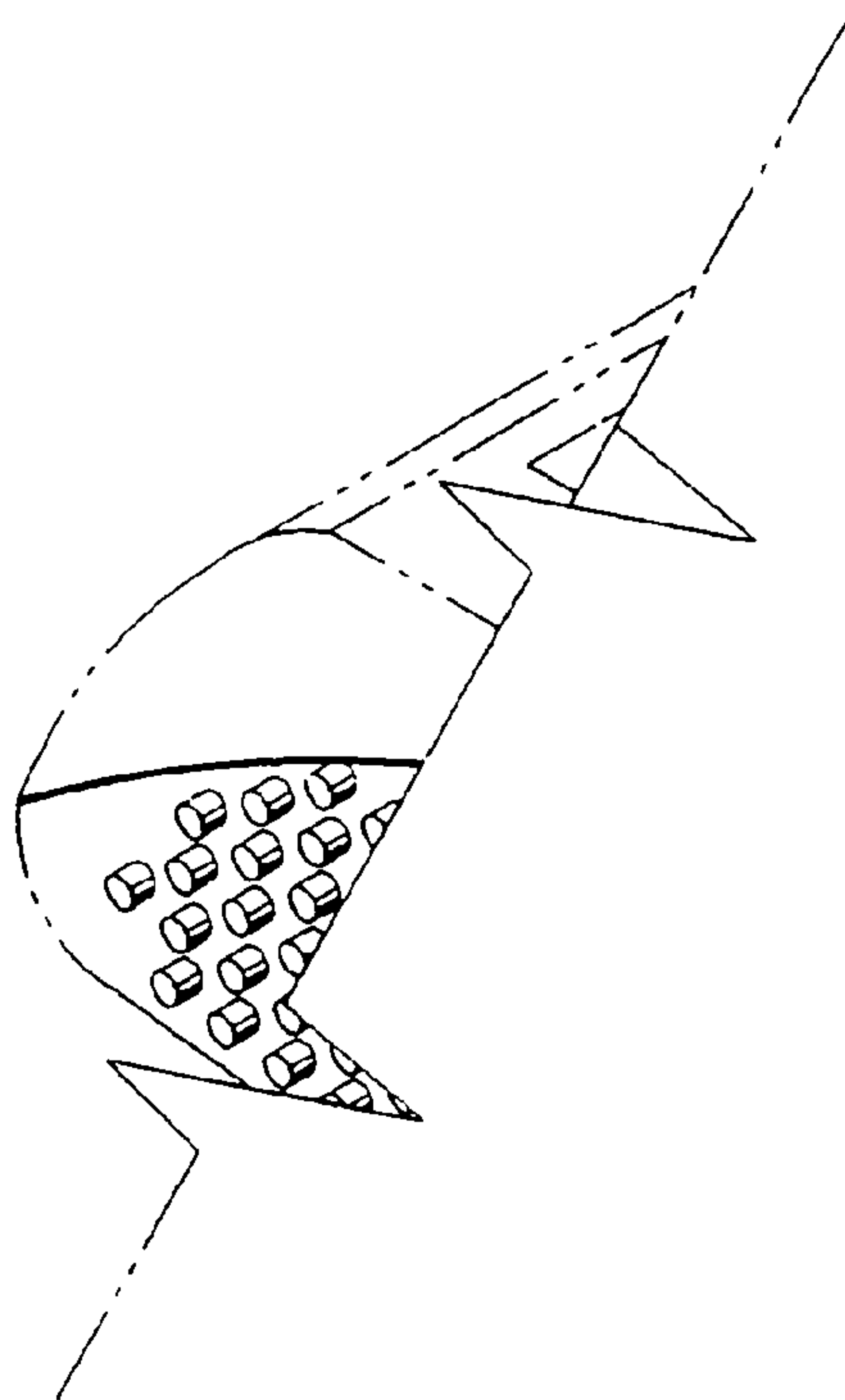
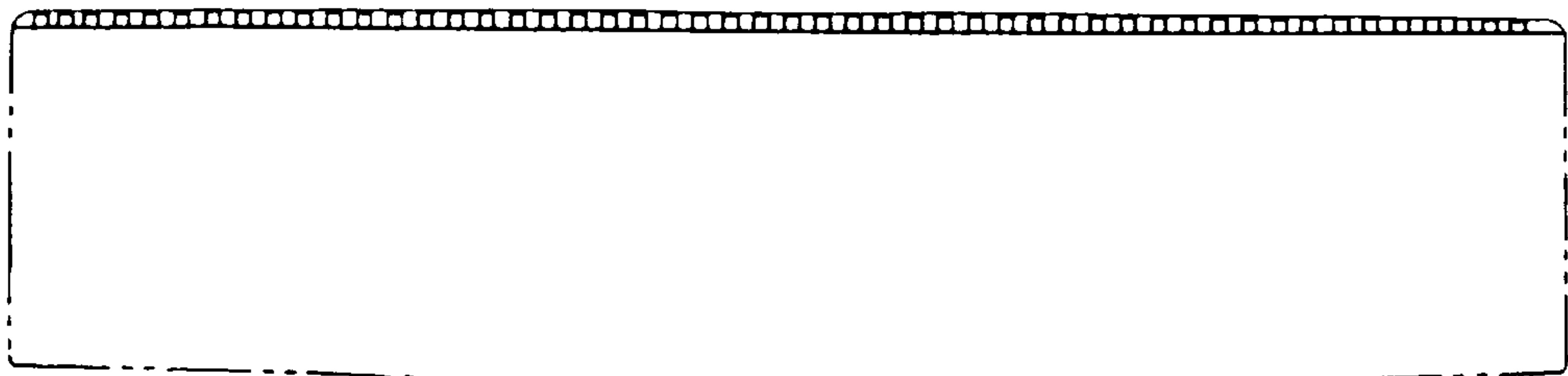


FIG. 4



UNITED STATES PATENT AND TRADEMARK OFFICE  
**CERTIFICATE OF CORRECTION**

PATENT NO : Des. 411,275  
DATED : June 22, 1999  
INVENTOR(S) : Robert A. Bottema, et al.

It is certified that error appears in the above-identified patent and that said Letters Patent is hereby corrected as shown below:

Title page, [75] Inventors, replace "Robert A. Bottema; Joseph H. Hoffman, both of Carlsbad, Calif." with --Robert A. Bottema, Carlsbad, Calif.; Joseph H. Hoffman, Carlsbad, Calif.; Philippe Besnard, Oceanside, Calif.; John Tucker, Agua Dulce, Calif.--

Signed and Sealed this  
Fourth Day of April, 2000



Q. TODD DICKINSON

*Director of Patents and Trademarks*

*Attest:*

*Attesting Officer*