



US00D411265S

United States Patent [19]

Kanetsuna et al.

[11] Patent Number: **Des. 411,265**

[45] Date of Patent: **** Jun. 22, 1999**

[54] **RADIO REMOTE CONTROL UNIT**

[75] Inventors: **Nobumitsu Kanetsuna; Kazunori Fujita; Masahiro Arai; Masanao Endo**, all of Mobara, Japan

[73] Assignee: **Futaba Denshi Kogyo K.K.**, Mobara, Japan

[*] Notice: This patent is subject to a terminal disclaimer.

[**] Term: **14 Years**

[21] Appl. No.: **29/066,369**

[22] Filed: **Feb. 7, 1997**

[30] **Foreign Application Priority Data**

Aug. 9, 1996 [JP] Japan 8-23823

[51] **LOC (6) Cl.** **21-01**

[52] **U.S. Cl.** **D21/566**

[58] **Field of Search** D14/217-218, D14/299; D13/168; 348/734; 455/151.1, 151.2, 151.3, 151.4, 152.1, 352-355; 200/331

[56] **References Cited**

U.S. PATENT DOCUMENTS

- D. 203,223 12/1965 Rose et al. D21/566
- D. 263,858 4/1982 Ngai D21/141
- D. 283,718 5/1986 Kondo D21/141

- D. 302,446 7/1989 Cheng D21/142
- D. 313,439 1/1991 Kohno D21/141
- D. 328,463 8/1992 King et al. D14/218
- D. 331,058 11/1992 Morales D14/218
- D. 344,952 3/1994 Bartholomew D14/218
- D. 390,613 2/1998 Kanetsuna et al. D21/566
- 5,158,495 10/1992 Yonezawa D21/566
- 5,675,427 10/1997 Miller D14/218

Primary Examiner—Ruth McInroy
Attorney, Agent, or Firm—Oblon, Spivak, McClelland, Maier & Neustadt, P.C.

[57] **CLAIM**

The ornamental design for a radio remote control unit, as shown and described.

DESCRIPTION

FIG. 1 is a front elevational view of a radio remote control unit showing our new design;
 FIG. 2 is a rear elevational view thereof;
 FIG. 3 is a left side elevational view thereof;
 FIG. 4 is a right side elevational view thereof;
 FIG. 5 is a top plan view thereof;
 FIG. 6 is a bottom plan view view thereof;
 FIG. 7 is a top, front and left side perspective view thereof; and,
 FIG. 8 is a top, front and left side perspective view thereof.
 The indicia shown in the figures is for illustrative purposes only and forms no part of the claimed design.

1 Claim, 4 Drawing Sheets



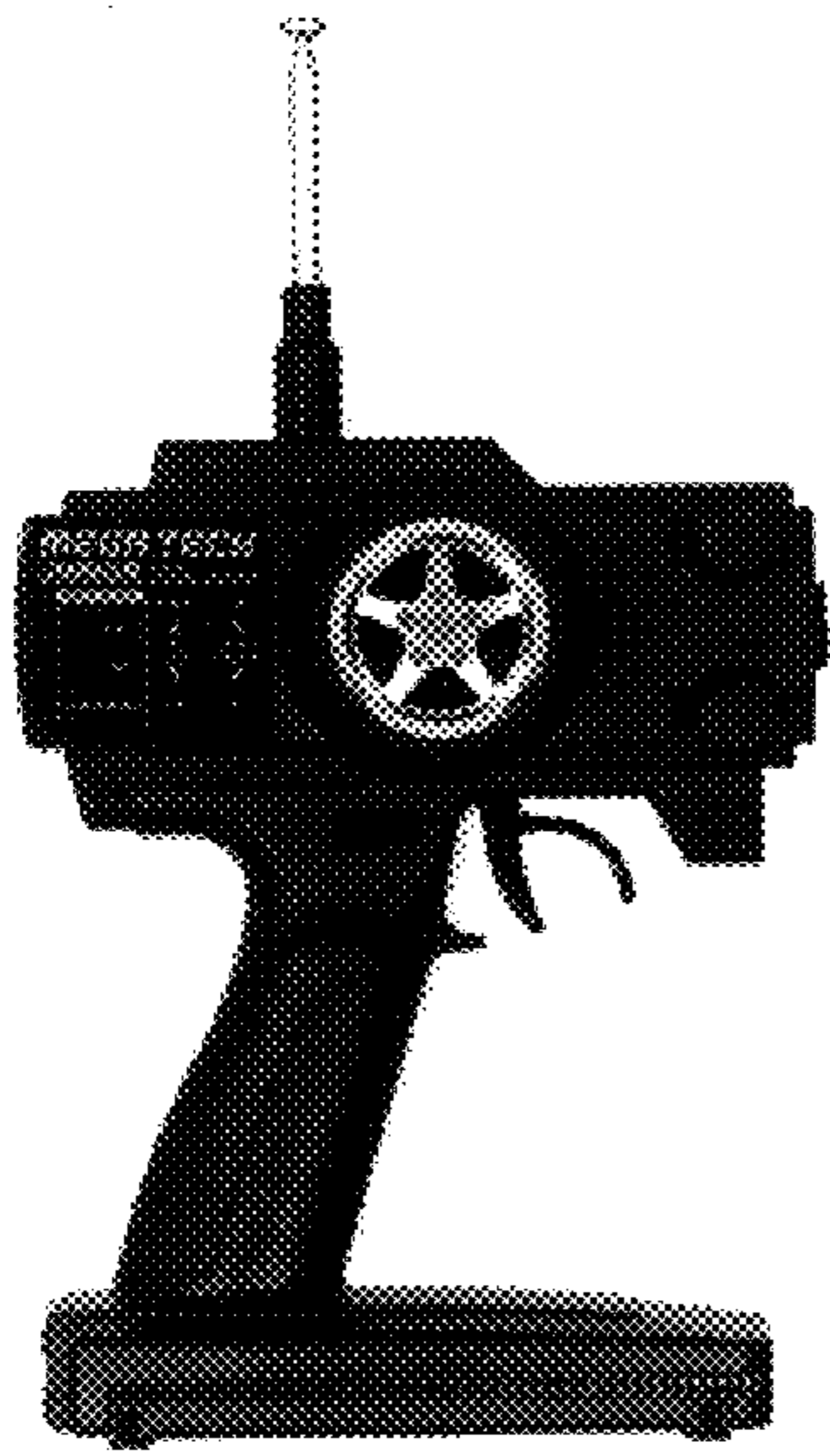


FIG. 1



FIG. 8



FIG. 7



FIG. 2

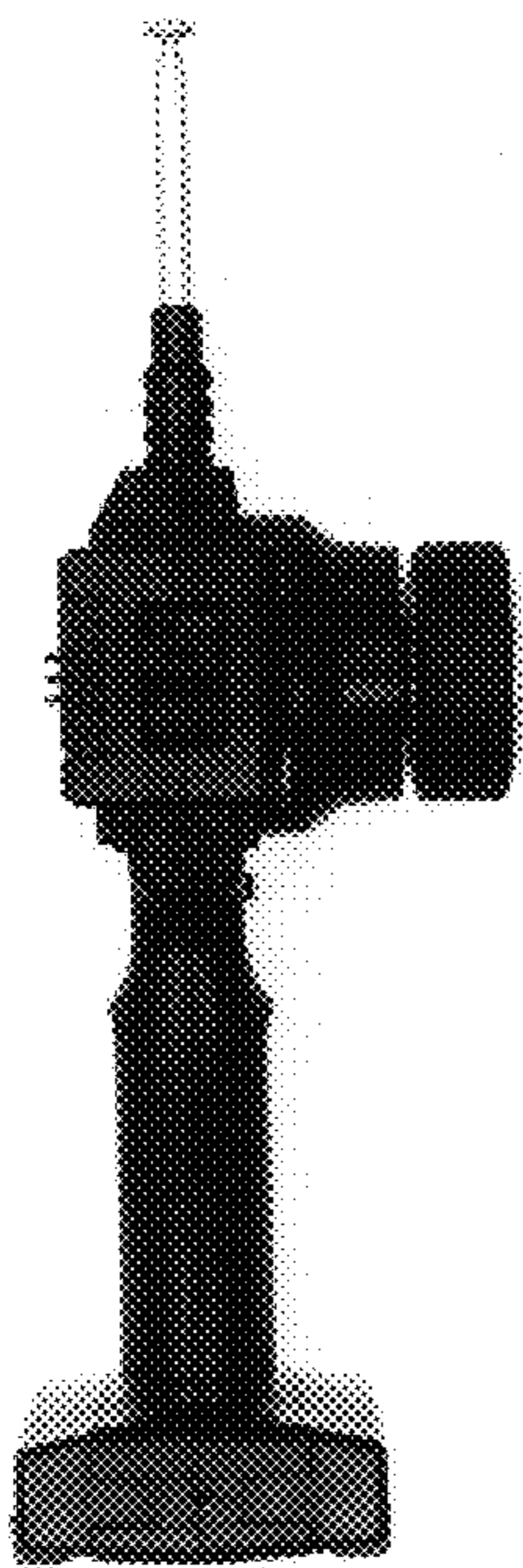


FIG . 3

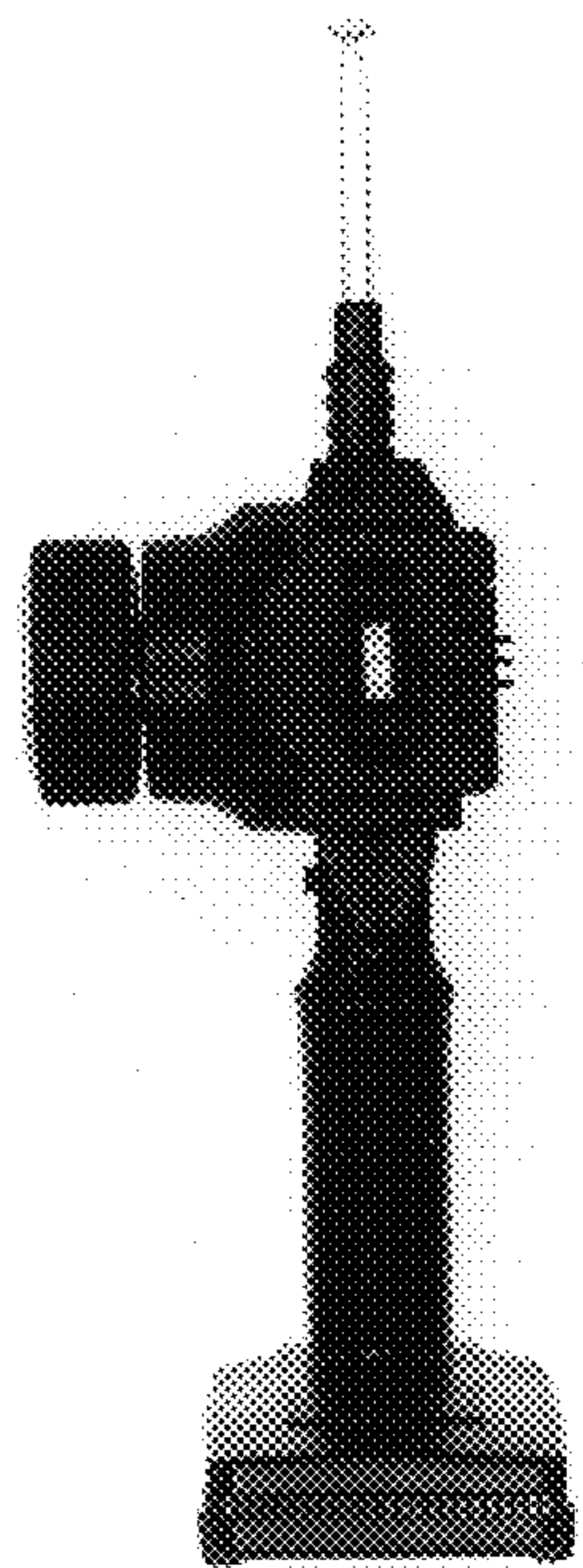


FIG . 4

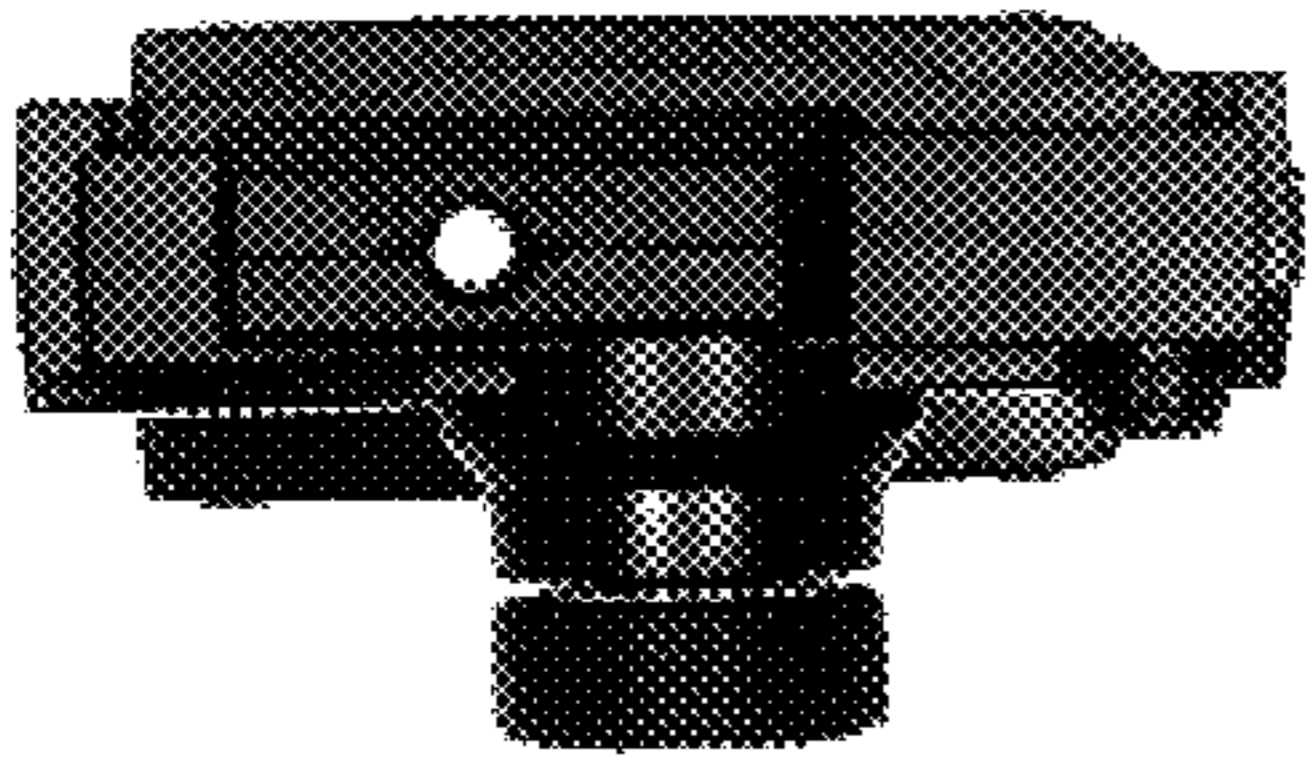


FIG. 5

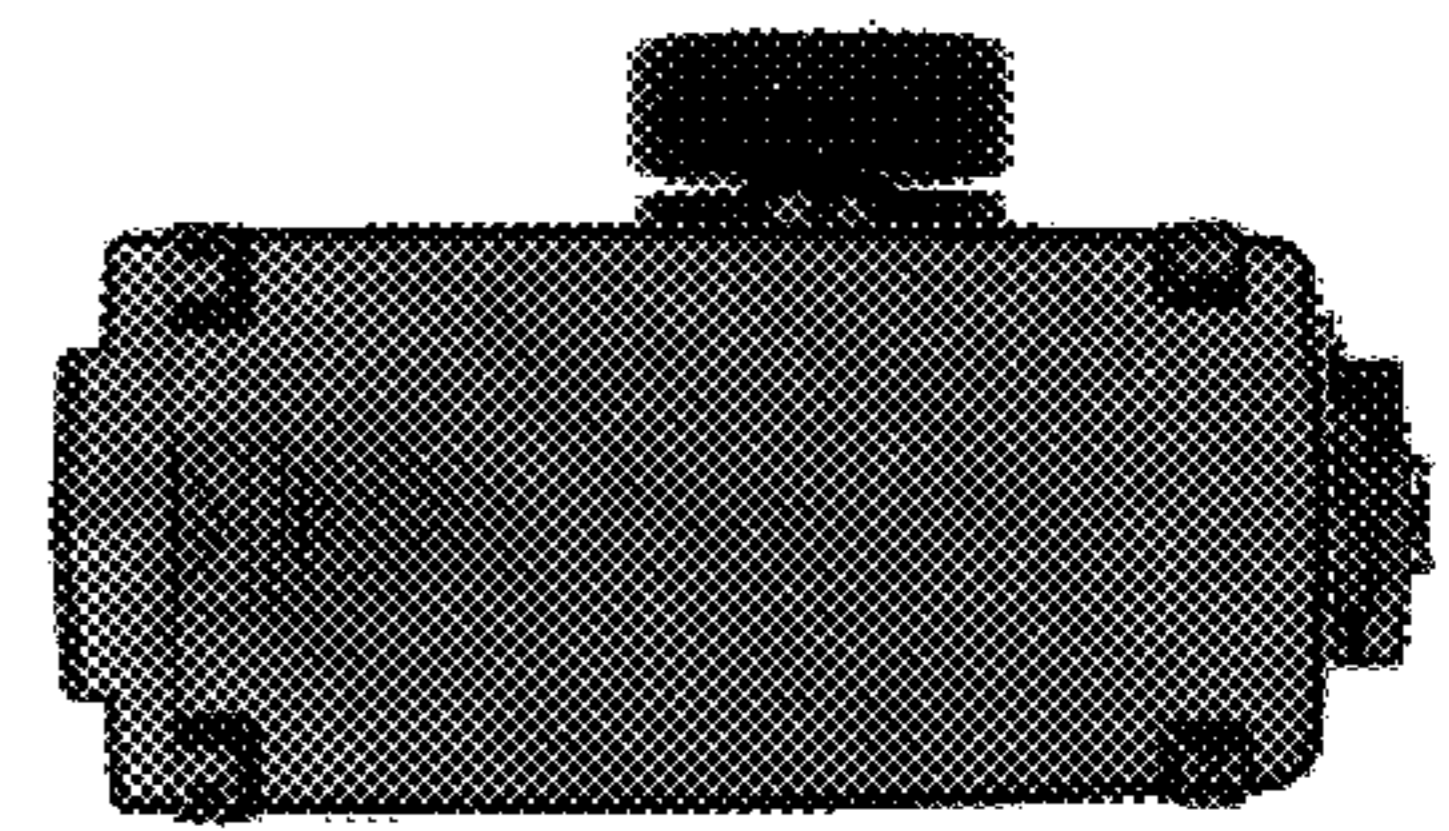


FIG. 6