



US00D411262S

# United States Patent [19] Toft

[11] **Patent Number: Des. 411,262**

[45] **Date of Patent: \*\* Jun. 22, 1999**

[54] **TOY BUILDING ELEMENT**

4,826,464 5/1989 Bertrand ..... 446/120  
5,779,515 7/1998 Chung ..... 446/102

[75] Inventor: **Uffe K. Toft**, Aarhus C, Denmark

[73] Assignee: **INTERLEGO AG**, Baar, Switzerland

[\*\*] Term: **14 Years**

*Primary Examiner*—Raphael Barkai  
*Attorney, Agent, or Firm*—Kane,Dalsimer,Sullivan,Kurucz,  
Levy, Eisele and Richard, LLP

[21] Appl. No.: **29/094,968**

[22] Filed: **Oct. 14, 1998**

[57] **CLAIM**

The ornamental design for a toy building element, as shown and described.

[51] **LOC (6) Cl.** ..... **21-01**

[52] **U.S. Cl.** ..... **D21/486**

[58] **Field of Search** ..... D21/484-505,  
D21/561, 453; 446/85, 93, 102-107, 120-125,  
128

**DESCRIPTION**

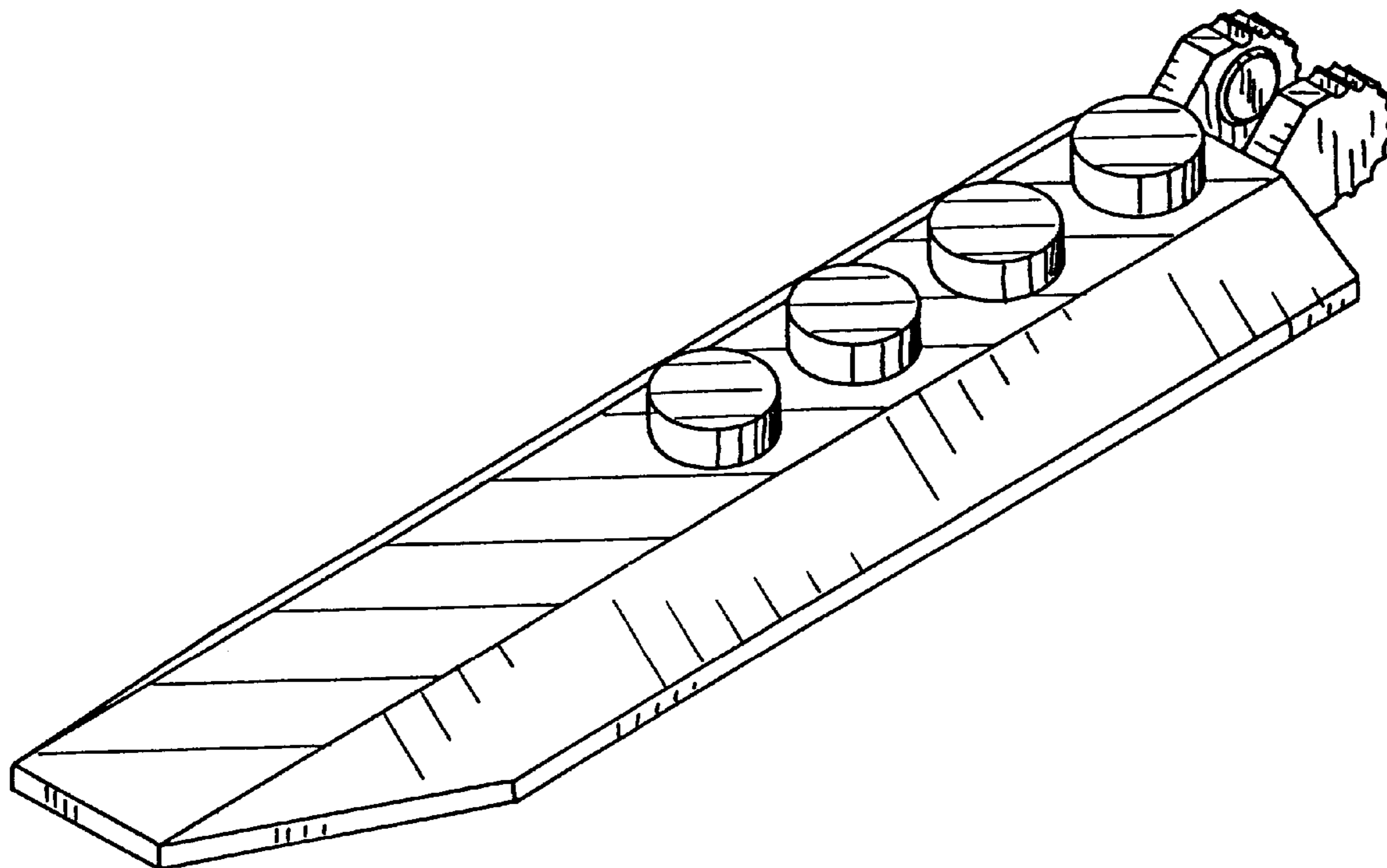
FIG. 1 is a top perspective view of the toy building element, FIG. 2 is a top plan view thereof, FIG. 3 is a front elevational view thereof, FIG. 4 is a bottom plan view thereof, FIG. 5 is a right side elevational view thereof, FIG. 6 is a left side elevational view thereof; FIG. 7 is rear elevational view thereof, and, FIG. 8 is a bottom perspective view thereof.

[56] **References Cited**

**U.S. PATENT DOCUMENTS**

D. 290,627 6/1987 Dideriksen ..... 446/128  
D. 375,983 11/1996 Olsen ..... D21/504

**1 Claim, 2 Drawing Sheets**



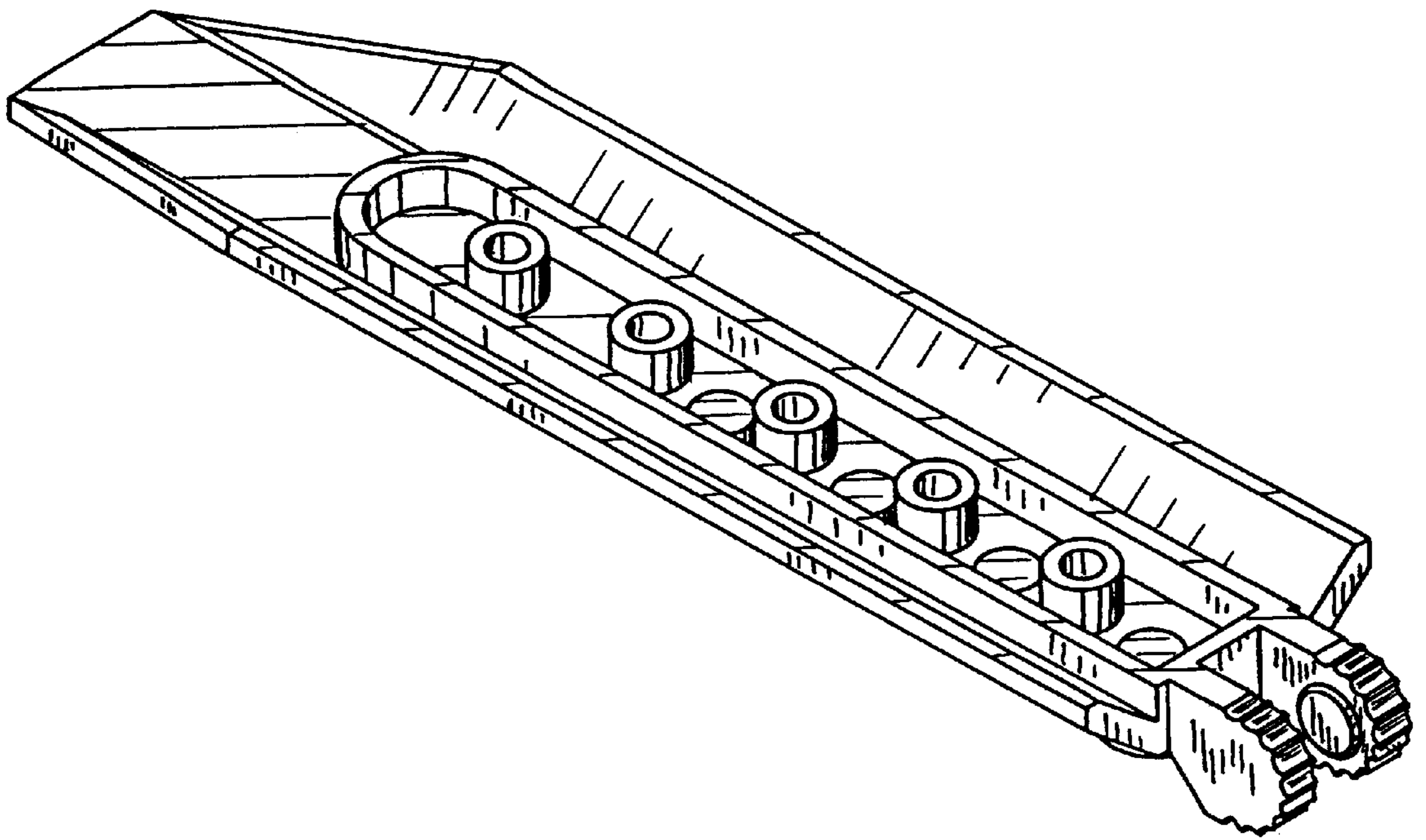


FIG. 8

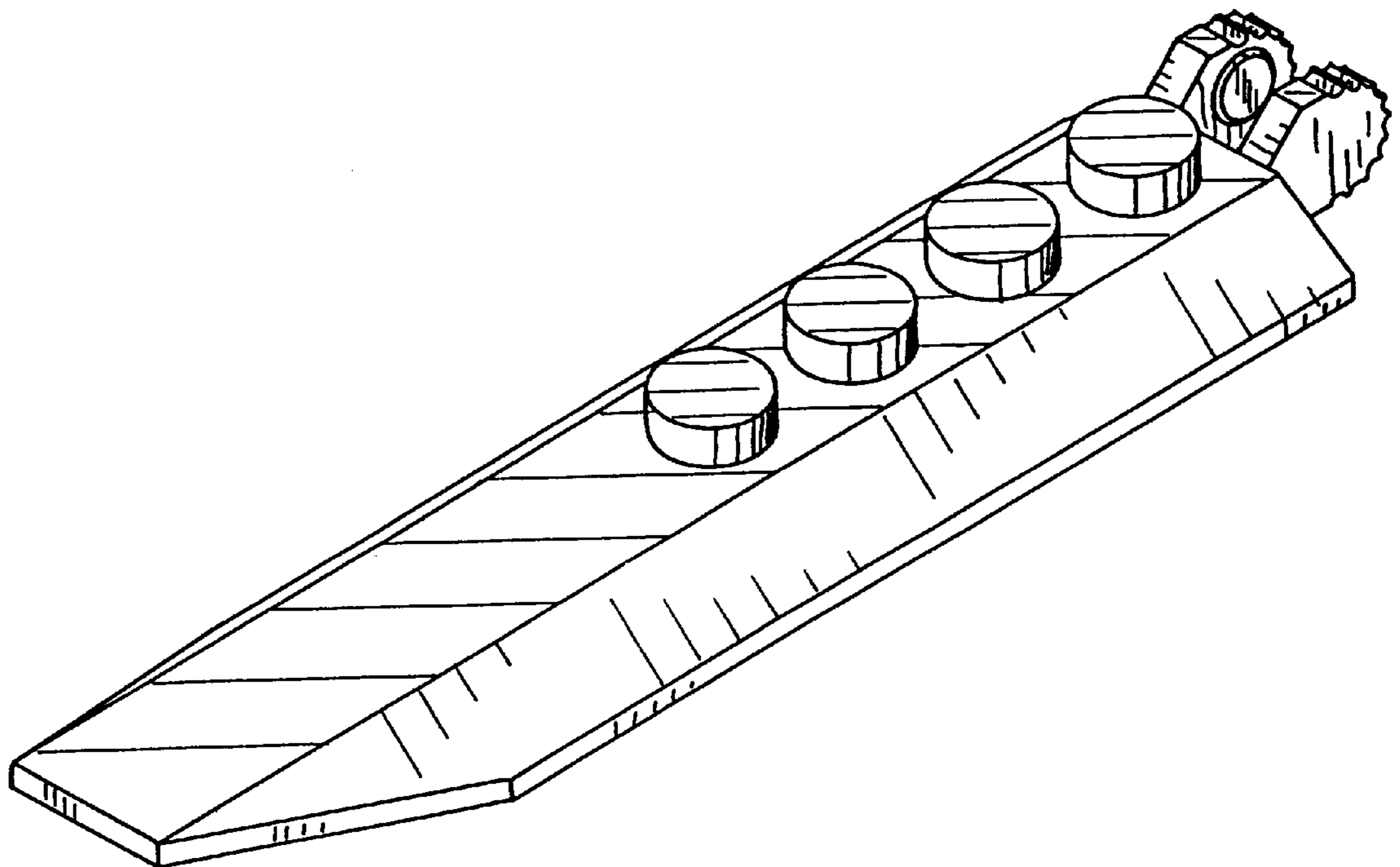


FIG. 1

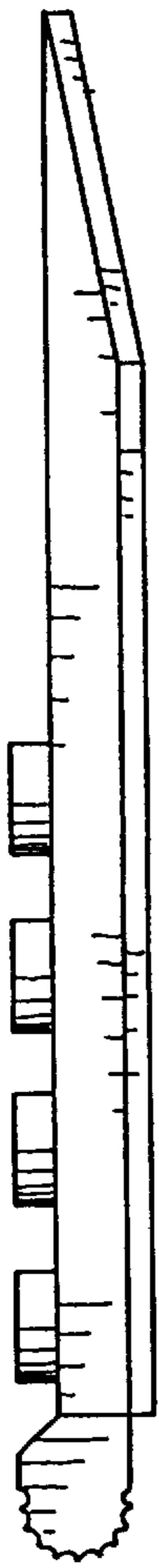


FIG. 3

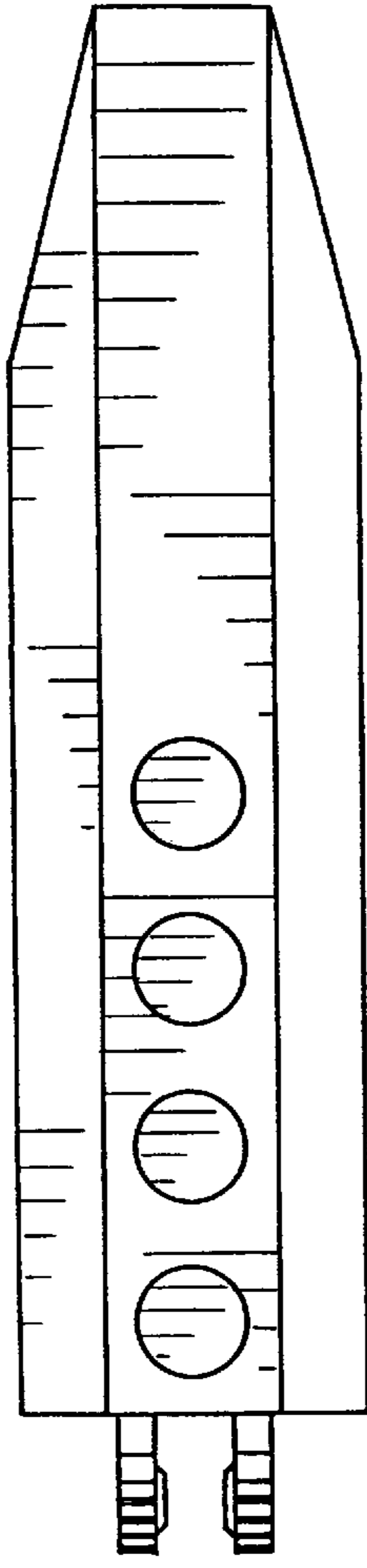


FIG. 2

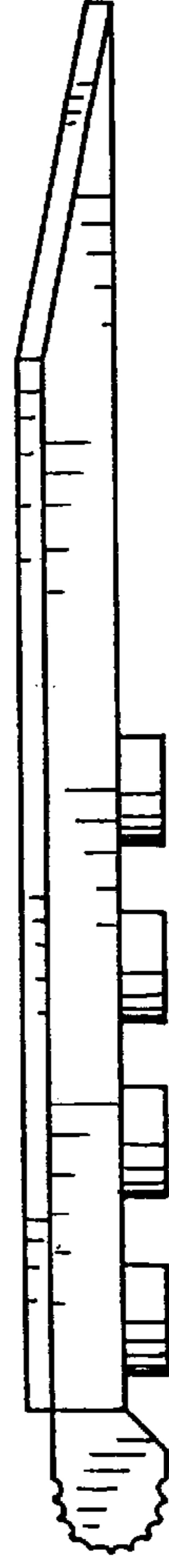


FIG. 7

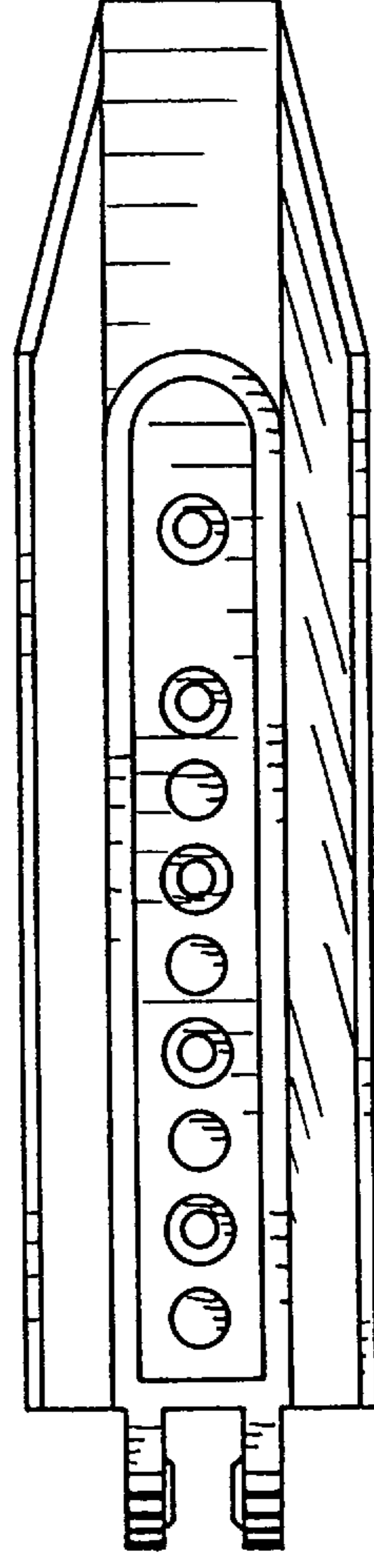


FIG. 4



FIG. 5

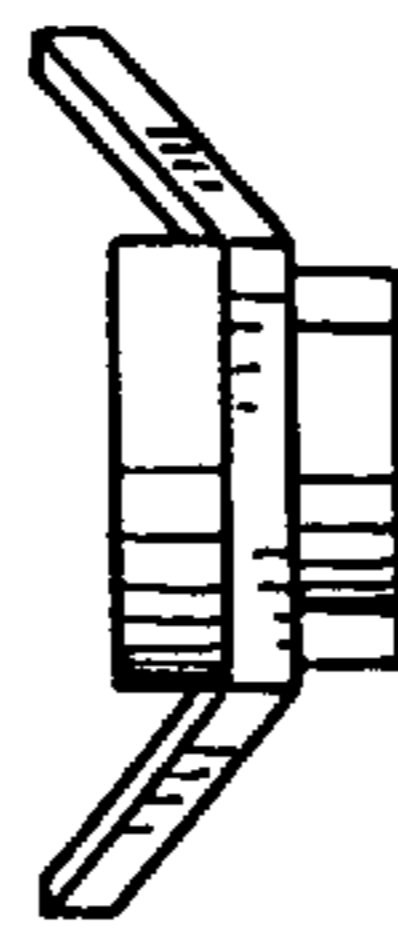


FIG. 6