



US00D411261S

United States Patent [19]
Movsesian

[11] **Patent Number: Des. 411,261**

[45] **Date of Patent: ** Jun. 22, 1999**

[54] **CONNECTOR FOR A TOY BUILDING BLOCK**

[76] Inventor: **Ara John Movsesian**, 6542 N. Gentry Ave., Fresno, Calif. 93711

[**] Term: **14 Years**

[21] Appl. No.: **29/086,624**

[22] Filed: **Apr. 16, 1998**

[51] **LOC (6) Cl.** **21-01**

[52] **U.S. Cl.** **D21/484; D21/504**

[58] **Field of Search** D21/484-505; D8/382; 446/85, 88, 93-96, 97, 108-128

[56] **References Cited**

U.S. PATENT DOCUMENTS

D. 227,528	7/1973	Wahl	D8/382
D. 245,477	8/1977	Mullenax	D8/382
D. 371,400	7/1996	Host	D21/495
D. 377,671	1/1997	Gabriel	D21/500
879,455	2/1908	Frost	446/128
1,422,146	7/1922	Tackenberg	446/128
1,736,134	11/1929	Rutherford	D21/499
2,132,647	10/1938	Robins	D21/500
3,487,579	1/1970	Brettingen	446/128
3,986,293	10/1976	Rieur	446/95
4,552,541	11/1985	Bolli	446/128

4,886,477	12/1989	Ziegler	446/104
4,964,834	10/1990	Myller	446/118
5,057,049	10/1991	Kaczperski	446/128
5,779,515	7/1998	Chung	446/102

Primary Examiner—Raphael Barkai
Attorney, Agent, or Firm—Brady, O'Boyle & Gates

[57] **CLAIM**

The ornamental design for a connector for a toy building block, as shown and described.

DESCRIPTION

FIG. 1 is a perspective view of a toy building block looking from the top thereof showing the male portion of the connector of my new design;

FIG. 2 is a perspective view of the toy building block shown in FIG. 1 looking from the bottom thereof showing the female portion of the connector of my new design;

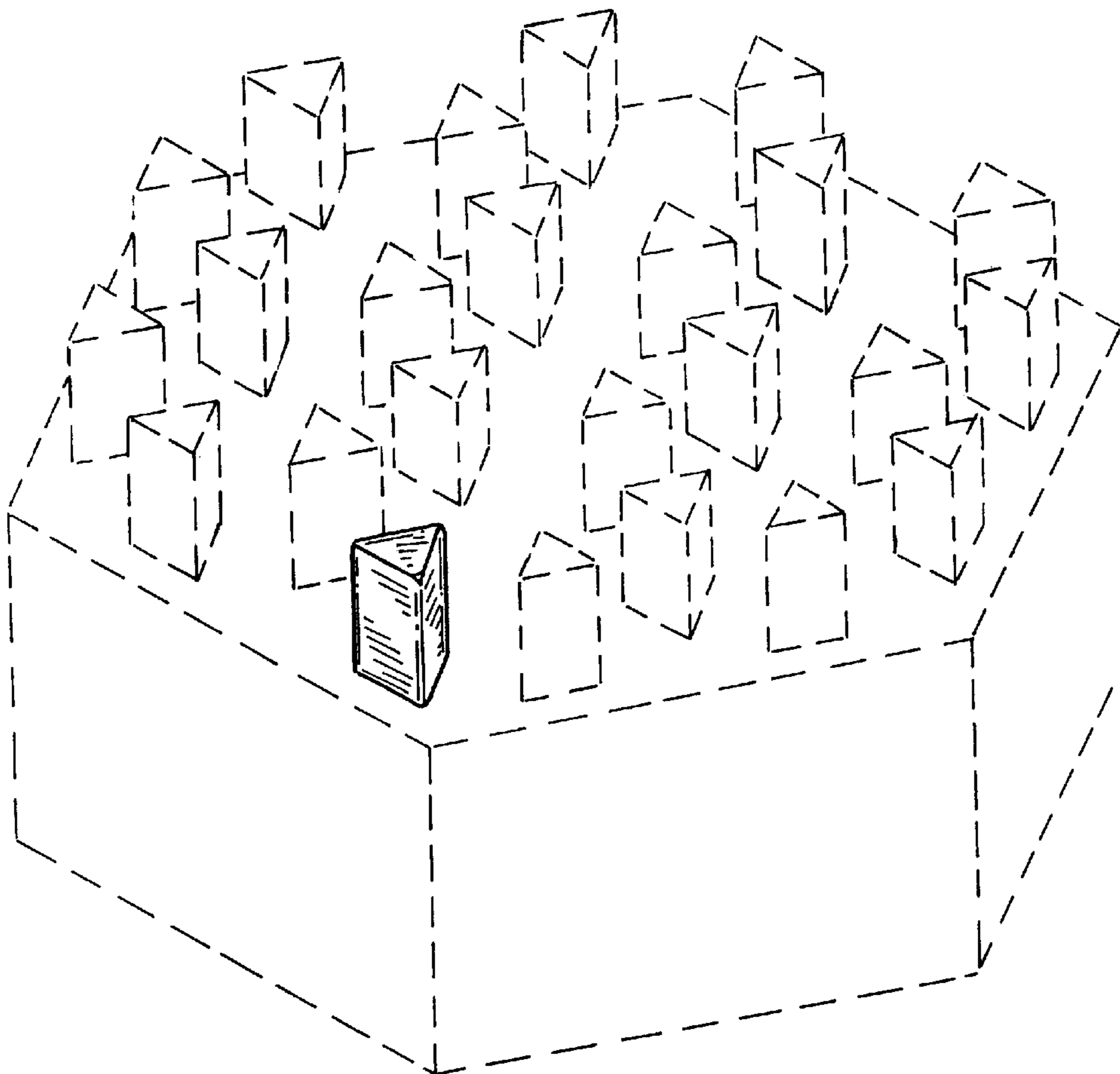
FIG. 3 is a top plan view of the connector portion shown in FIG. 1;

FIG. 4 is a bottom plan view of the connector portion shown in FIG. 2;

FIG. 5 is a front elevational view of the connector portion shown in FIG. 3; and,

FIG. 6 is a side elevational view as viewed from the right of FIG. 5.

1 Claim, 2 Drawing Sheets



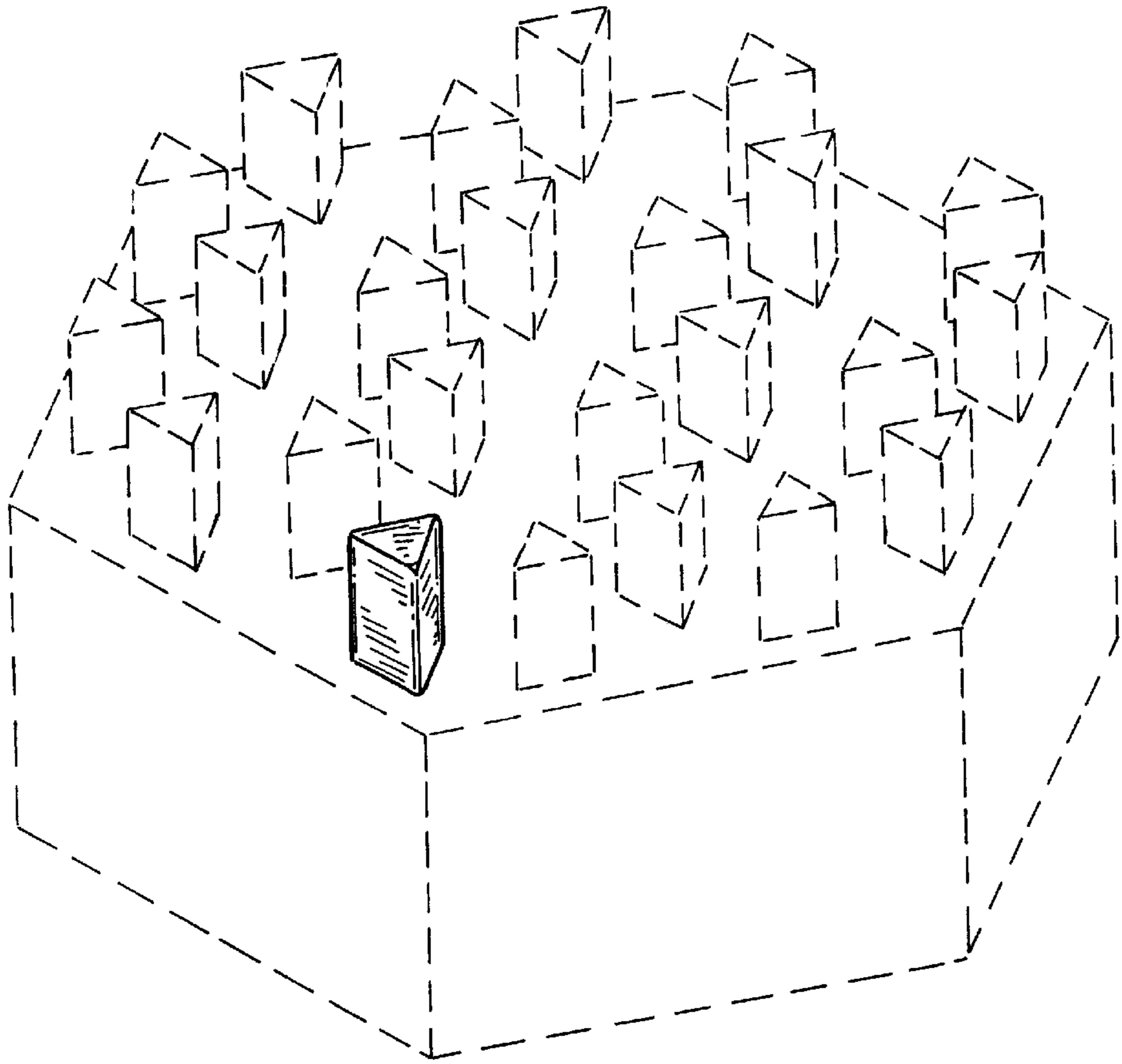


FIG. 1

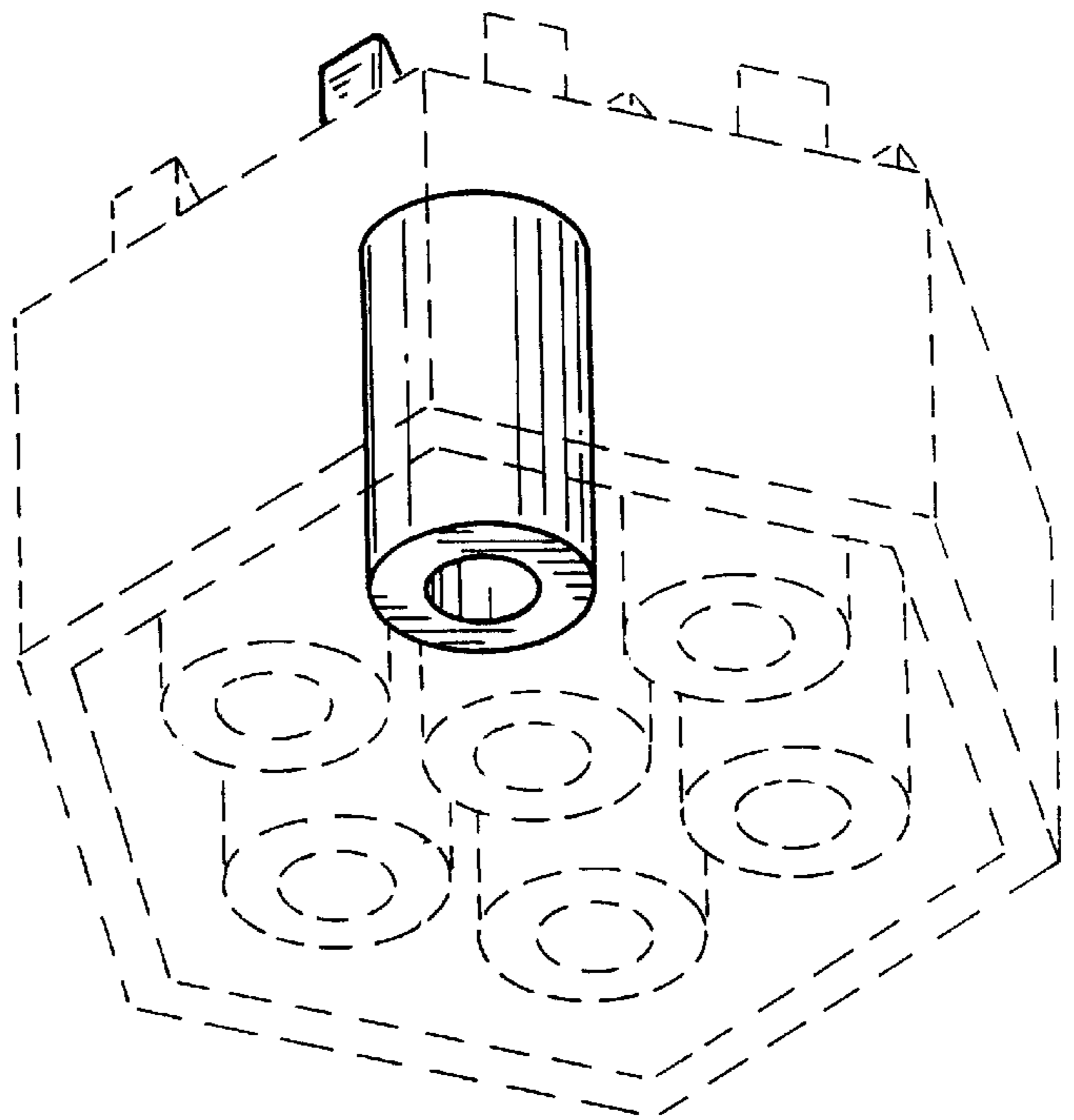


FIG. 2

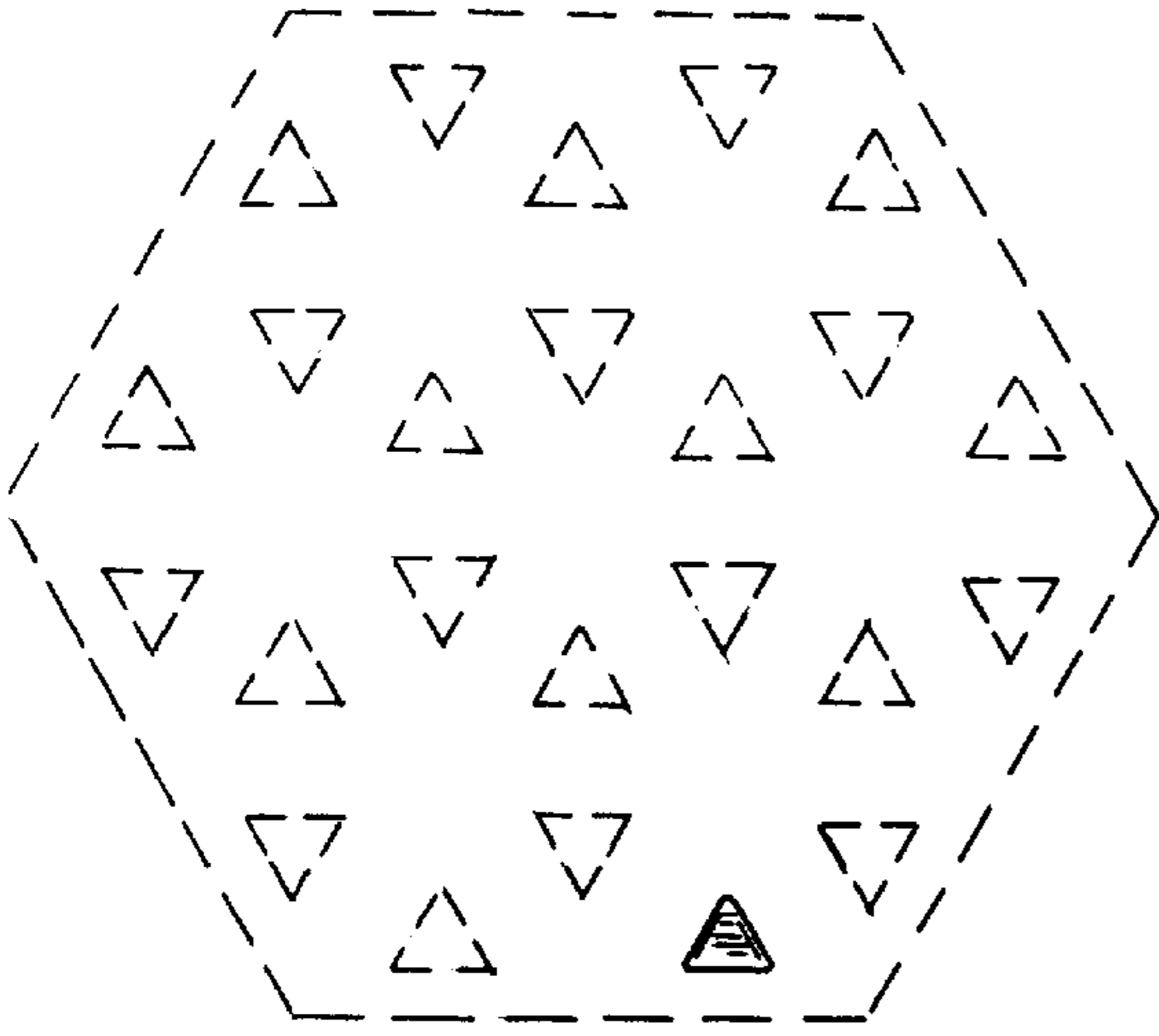


FIG. 3

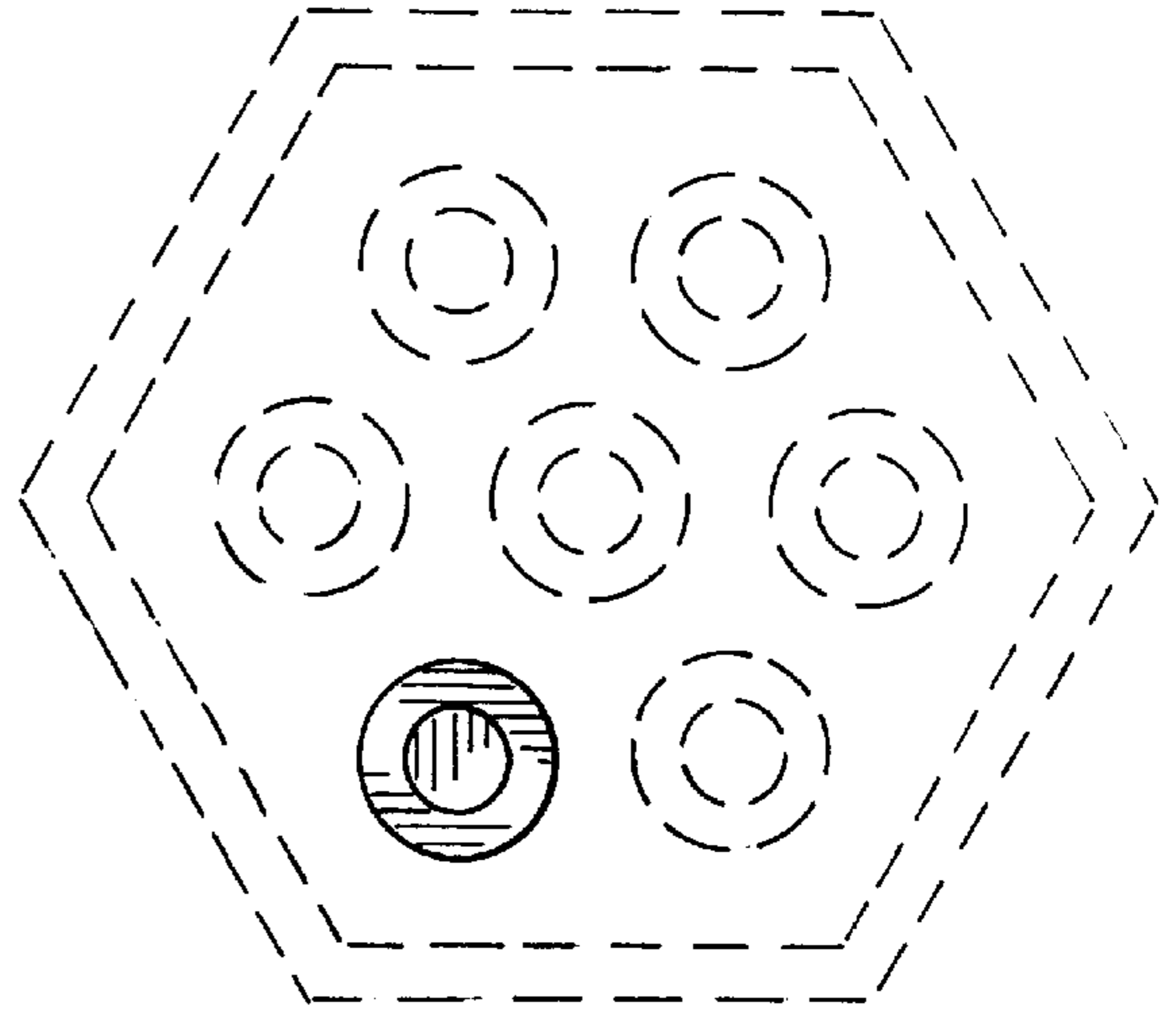


FIG. 4



FIG. 5

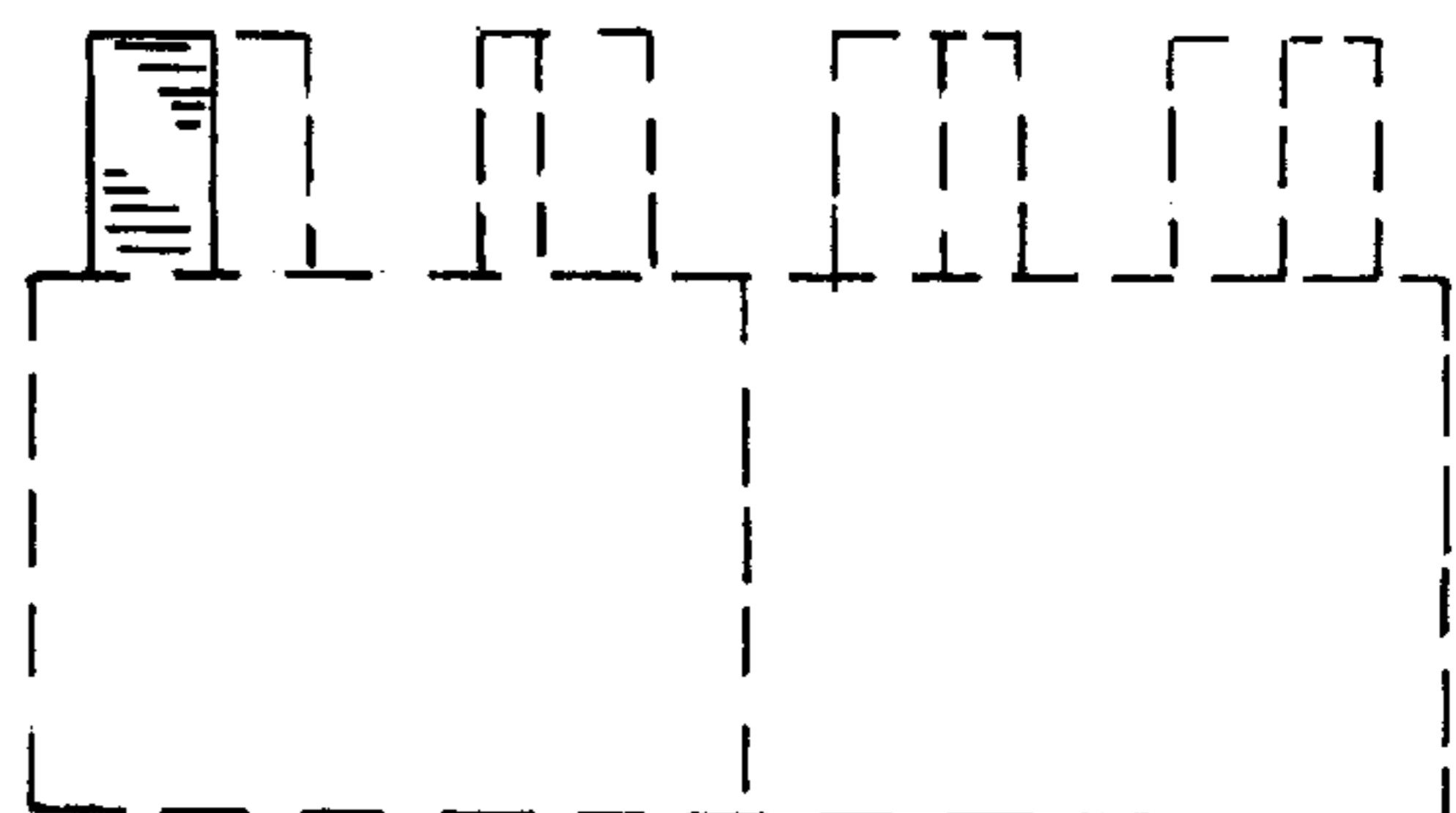


FIG. 6