



US00D411260S

United States Patent [19]

[11] **Patent Number: Des. 411,260**

Thomas

[45] **Date of Patent: ** Jun. 22, 1999**

[54] **ROTATABLE TOY**

[75] Inventor: **Gregory Bennett Thomas**, Fremont, Calif.

[73] Assignee: **Discovery Toys**, Livermore, Calif.

[**] Term: **14 Years**

[21] Appl. No.: **29/081,492**

[22] Filed: **Jan. 5, 1998**

[51] **LOC (6) Cl. 21-01**

[52] **U.S. Cl. D21/455; D21/468; D21/475**

[58] **Field of Search D21/455, 475, D21/476, 468; 434/258; 446/3, 227, 236, 487**

[56] **References Cited**

U.S. PATENT DOCUMENTS

D. 139,342	11/1944	Perry	D21/455
D. 169,878	6/1953	Washington	D21/468
D. 234,152	1/1975	Echterling	D21/476
D. 294,840	3/1988	Williams et al.	D21/455

Primary Examiner—Dominic Simone
Attorney, Agent, or Firm—Ohlandt, Greeley, Ruggiero & Perle

[57] **CLAIM**

The ornamental design for the rotatable toy, as shown and described.

DESCRIPTION

FIG. 1 is a front perspective view of a rotatable toy showing my new design, the art work shown in broken lines for illustrative purposes only and forms no part of the claimed design;

FIG. 2 is a front elevational view thereof, the rear being substantially identical;

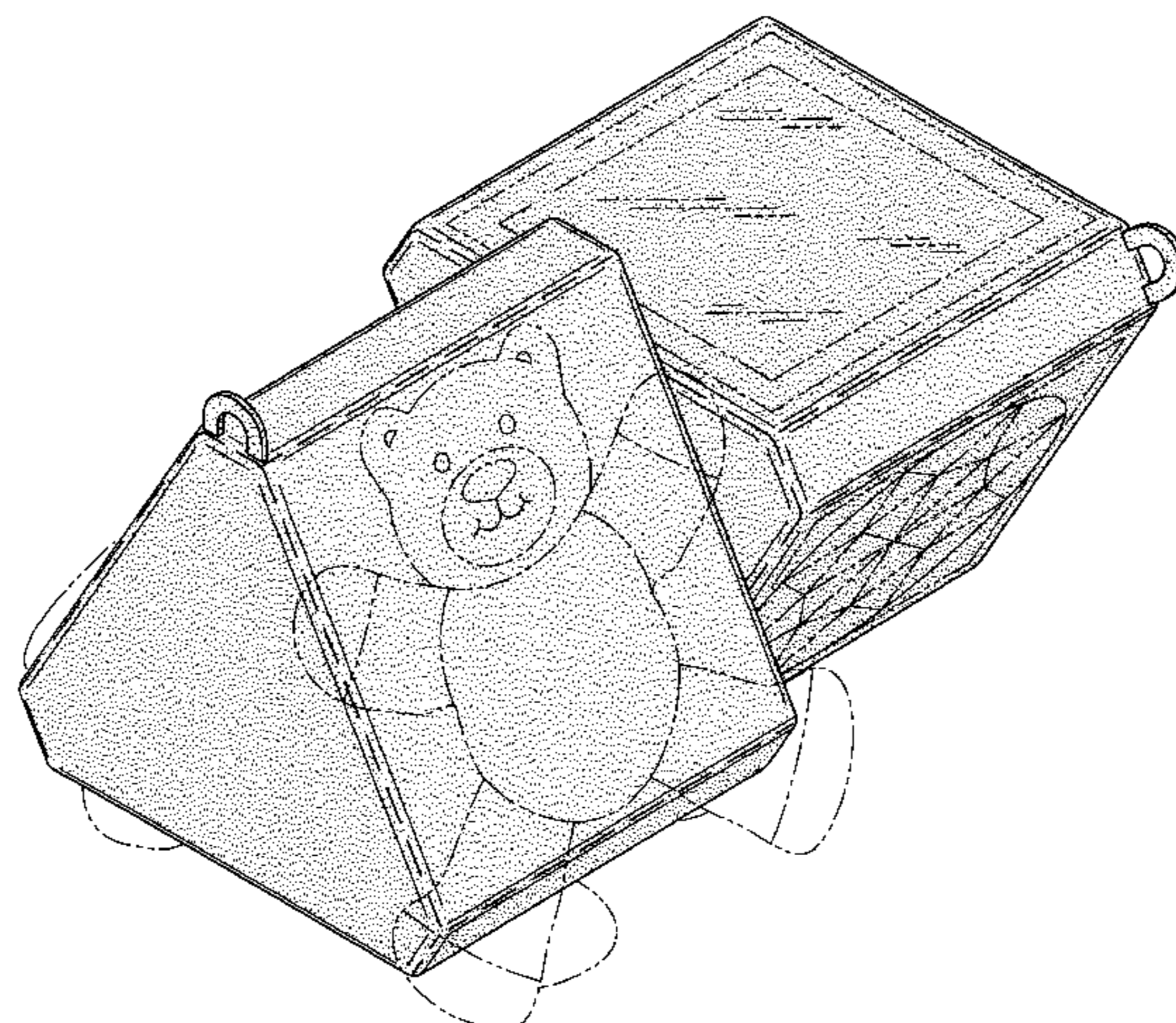
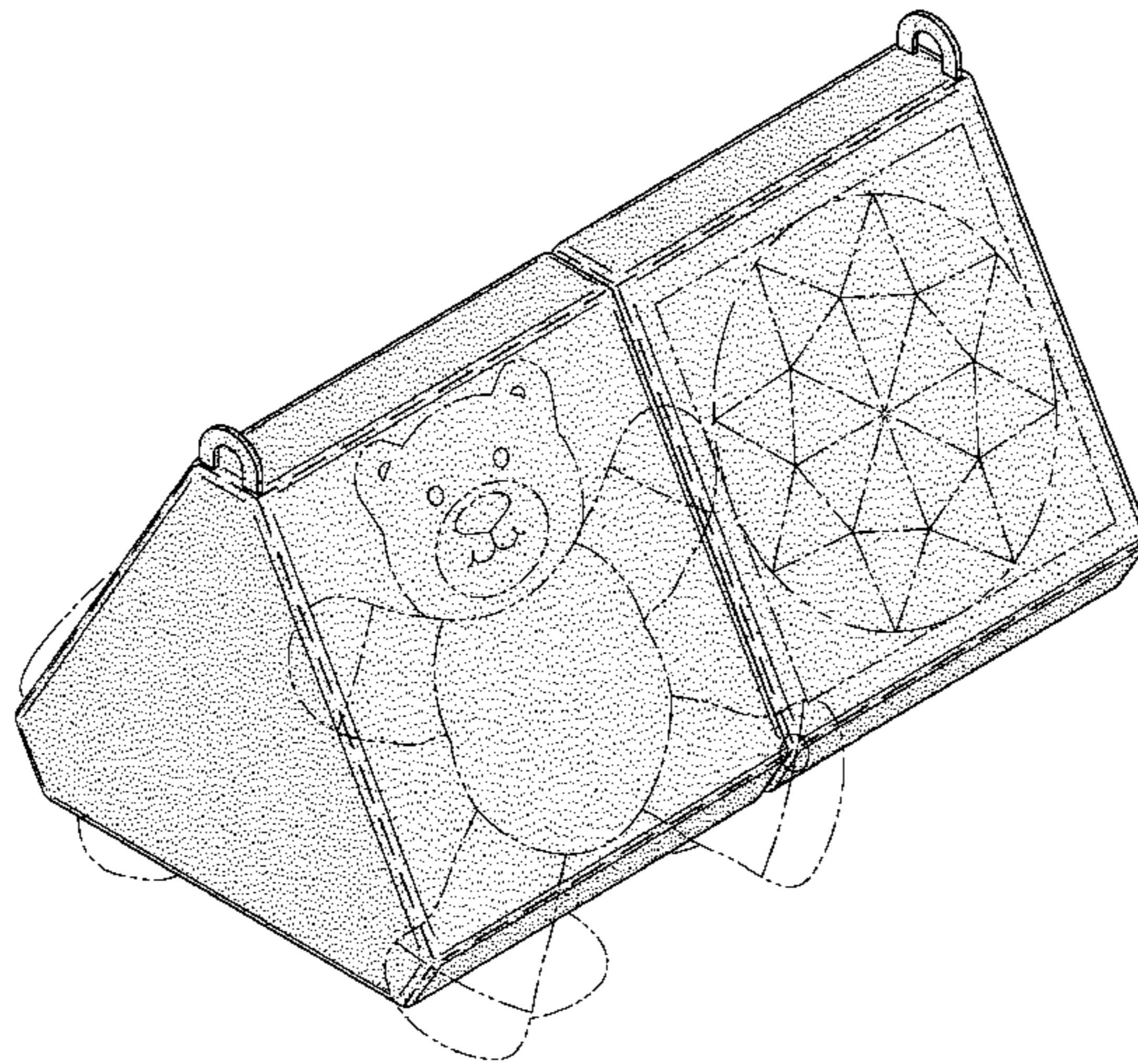
FIG. 3 is a side view thereof, the opposite side being substantially identical;

FIG. 4 is a top plan view thereof;

FIG. 5 is a bottom plan view thereof; and,

FIG. 6 is a front perspective view thereof in an offset position, the art work shown in broken lines for illustrative purposes only and forms no part of the claimed design.

1 Claim, 4 Drawing Sheets



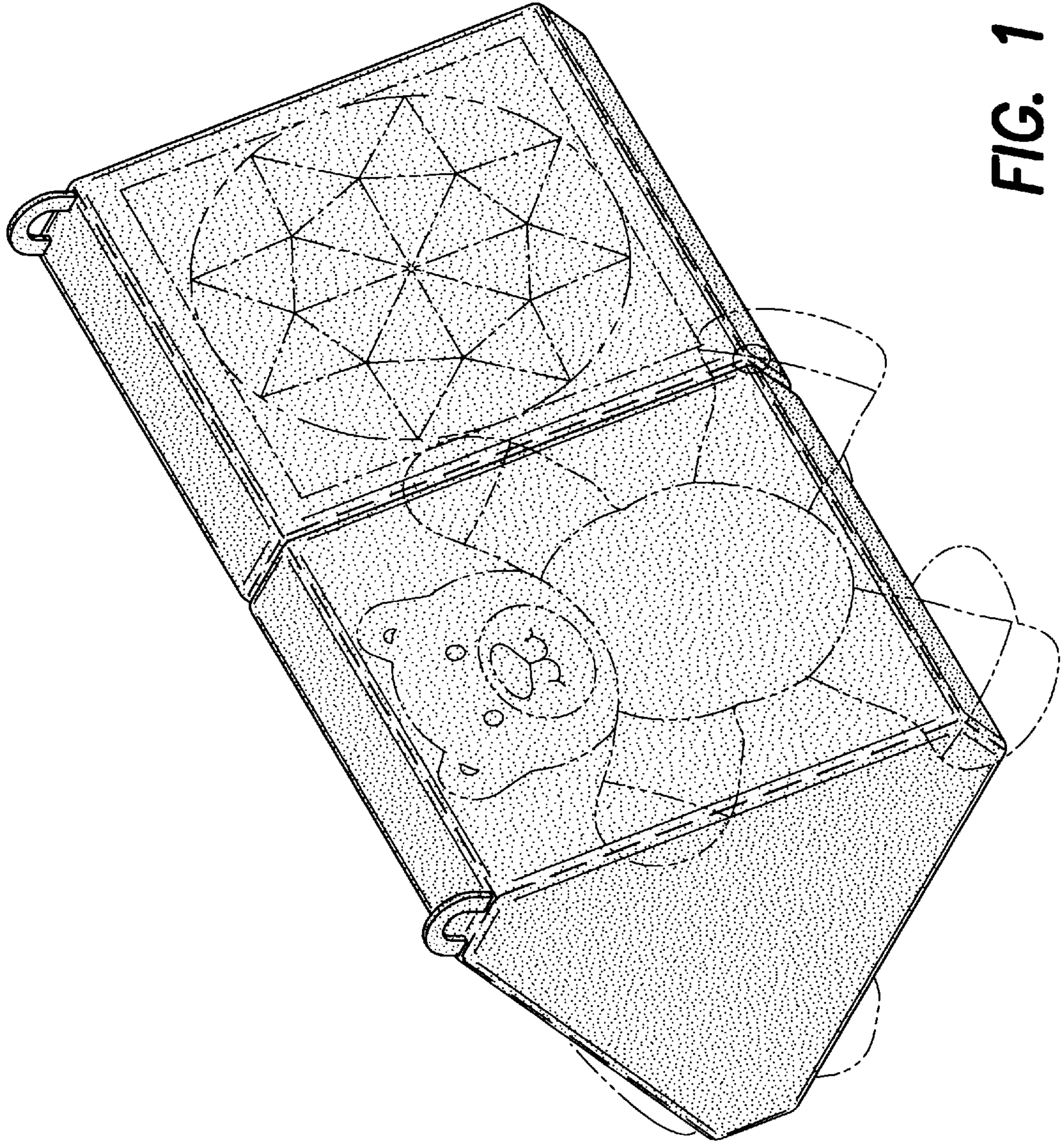


FIG. 1

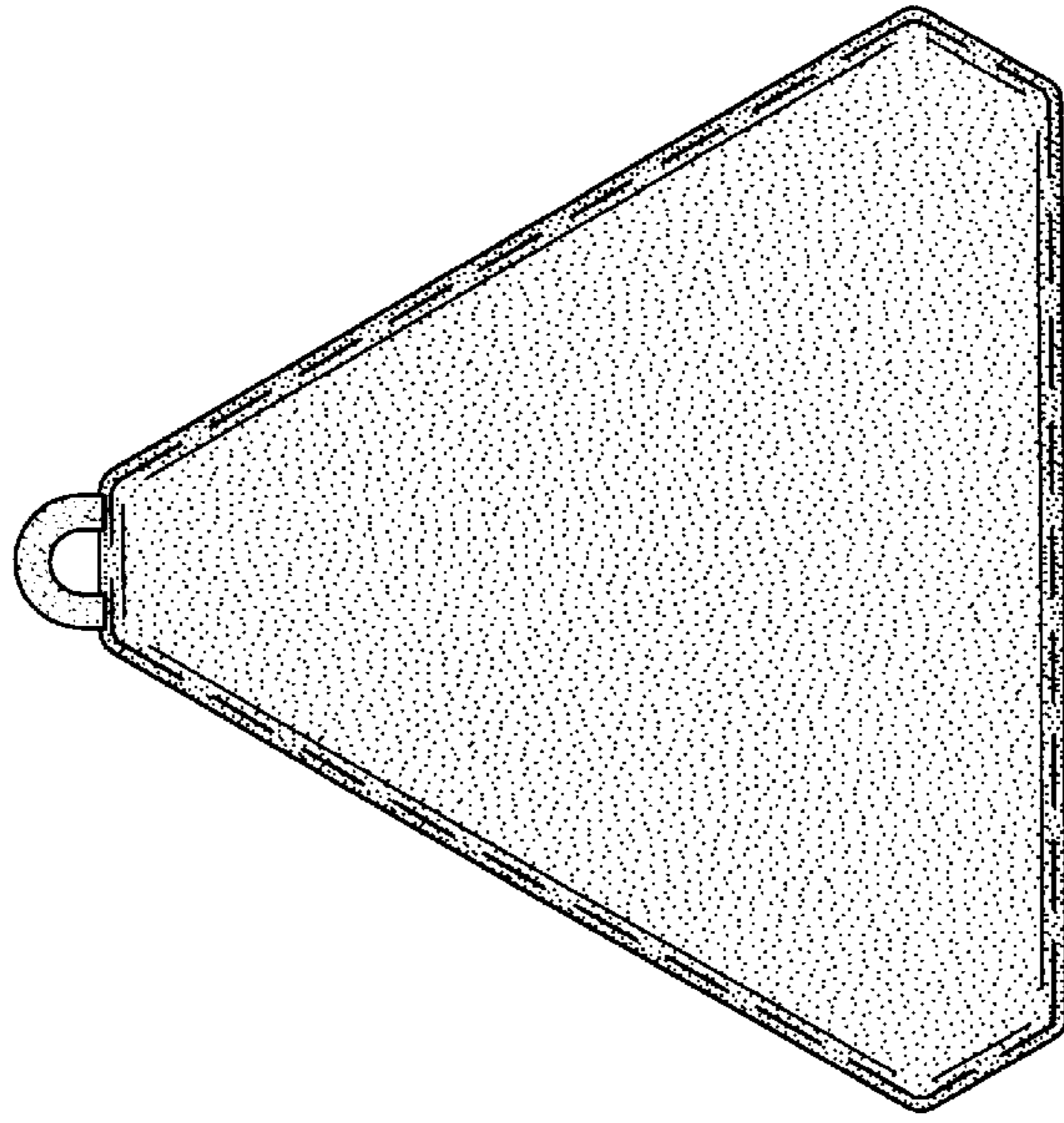


FIG. 3

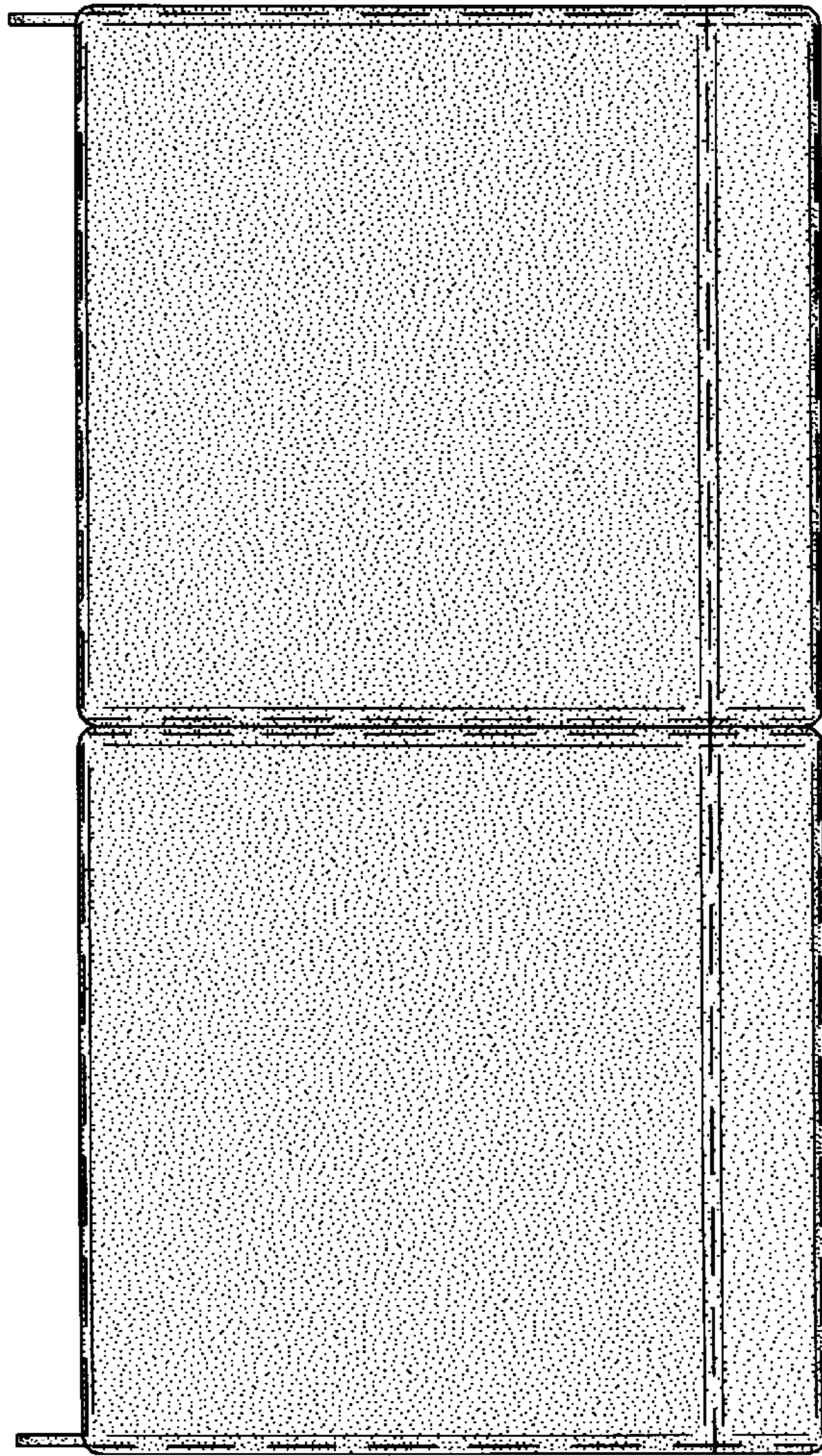


FIG. 2

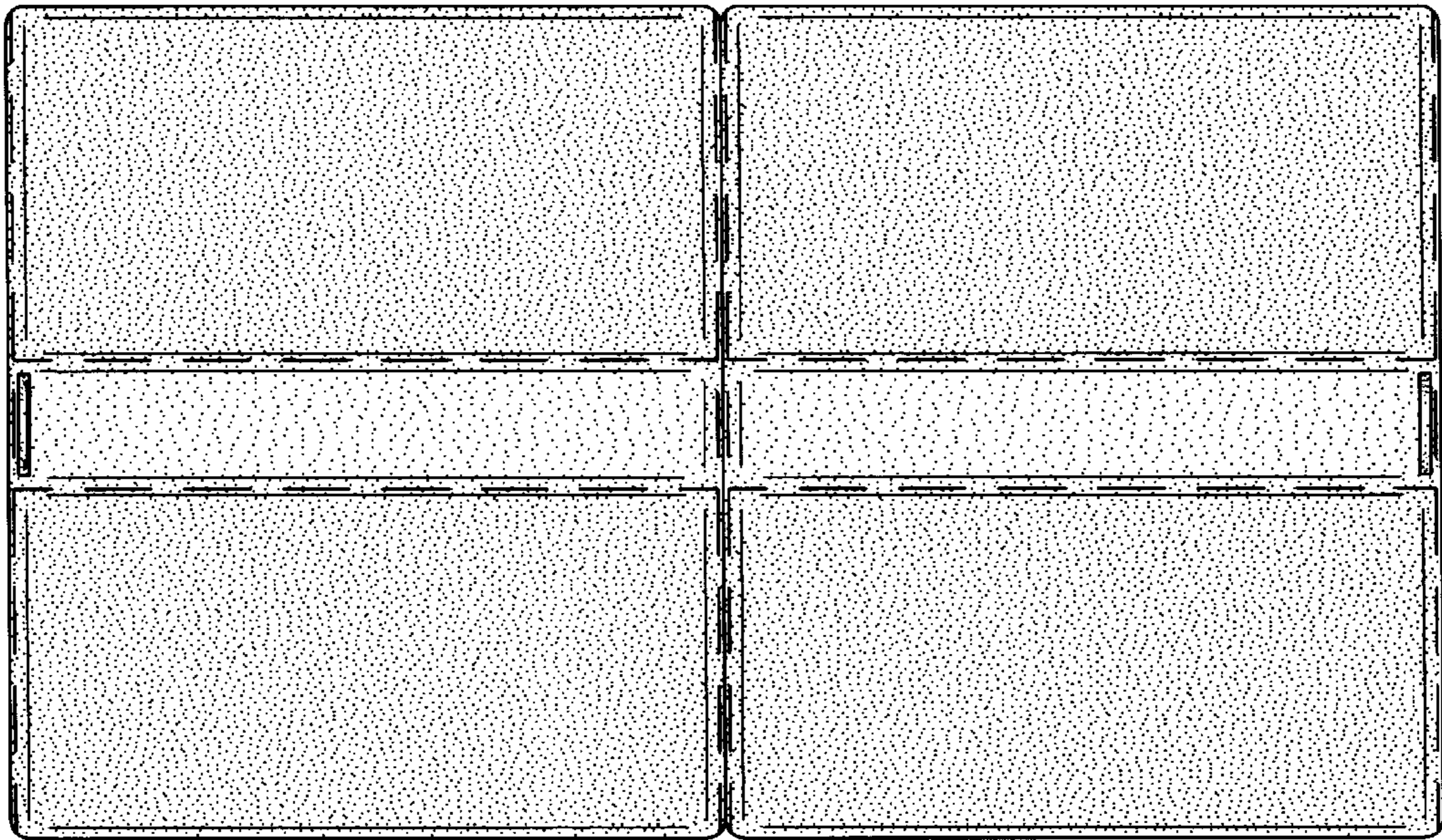


FIG. 4

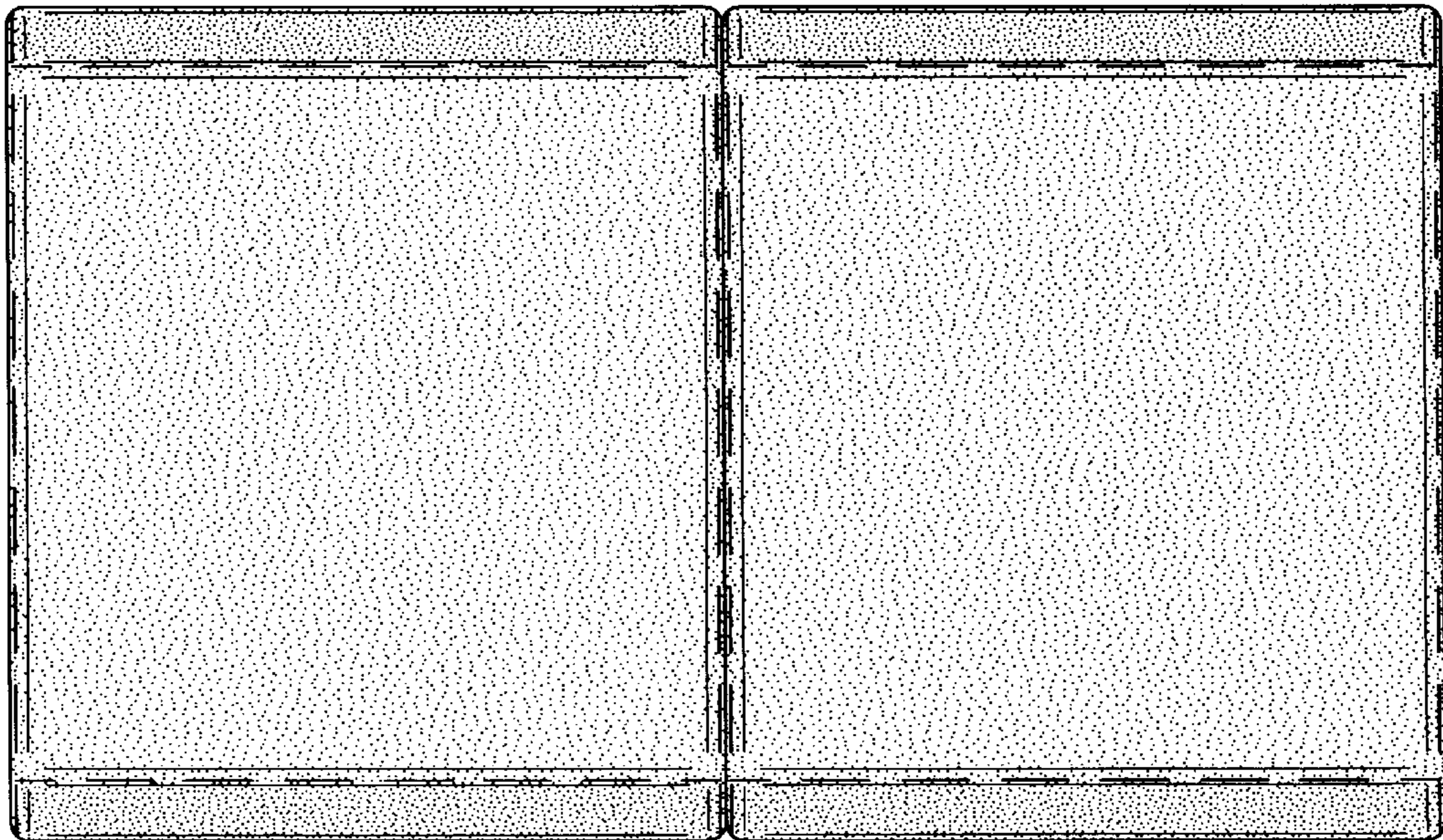


FIG. 5

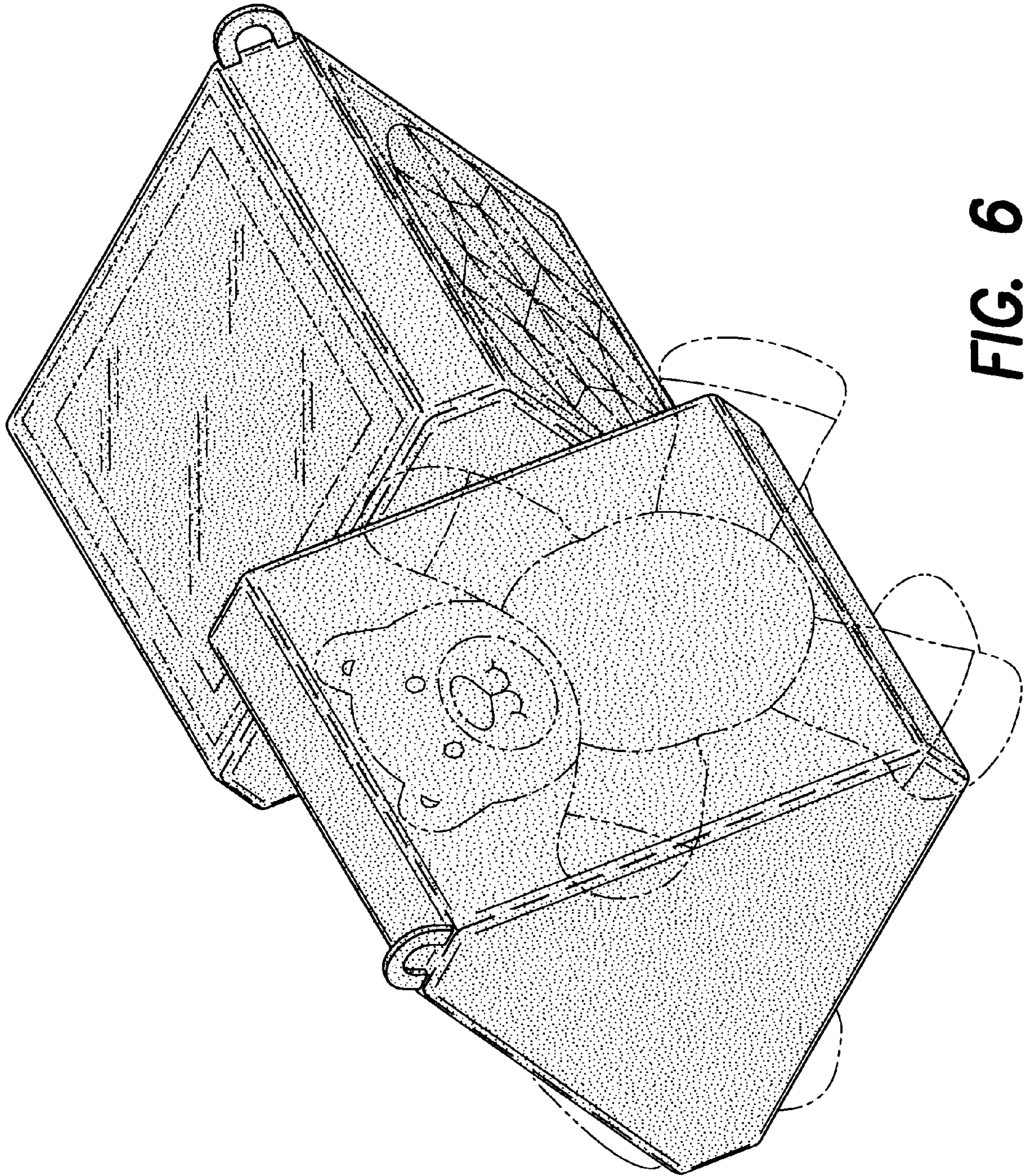


FIG. 6