



US00D411259S

United States Patent [19]

[11] Patent Number: **Des. 411,259**

Ishii et al.

[45] Date of Patent: **** Jun. 22, 1999**

[54] GAME MACHINE

OTHER PUBLICATIONS

[75] Inventors: **Takaaki Ishii, Yamato; Ryosuke Toriyama, Yokohama, both of Japan**

Vending Times, p. 71, Apr. 1979.
"The Amusement Industry" vol. 25, Mar. 1996, p. 134 (published on Feb. 26, 1996).

[73] Assignee: **Konami Co., Ltd., Hyogo-ken, Japan**

Primary Examiner—Prabhakar Deshmukh
Attorney, Agent, or Firm—Jordan and Hamburg LLP

[**] Term: **14 Years**

[21] Appl. No.: **29/090,698**

[57] CLAIM

[22] Filed: **Jul. 14, 1998**

The ornamental design for a game machine, as shown and described.

[30] Foreign Application Priority Data

DESCRIPTION

Jan. 19, 1998 [JP] Japan 10-1097

[51] LOC (6) Cl. **21-01**

[52] U.S. Cl. **D21/329; D21/325; D21/327**

[58] Field of Search D21/324-329,
D21/333; D14/124, 125; 463/1, 29-35,
46, 47, 49, 50; 273/148 B

FIG. 1 is a perspective view of a first game machine;
FIG. 2 is a front view of the first game machine;
FIG. 3 is a rear view of the first game machine;
FIG. 4 is a top view of the first game machine;
FIG. 5 is a bottom view of the first game machine;
FIG. 6 is a right side view of the first game machine;
FIG. 7 is a left side view of the first game machine;
FIG. 8 is a sectional view taken along the line 8—8 in FIG. 2.

[56] References Cited

FIG. 9 is a perspective view of a second embodiment of game machine;

U.S. PATENT DOCUMENTS

- D. 364,650 11/1995 Hanscom D21/327
- D. 367,294 2/1996 Shoemaker, Jr. et al. D21/312
- D. 377,670 1/1997 Means et al. D21/327
- D. 383,171 9/1997 Hanscom D21/327 X
- 4,614,342 9/1986 Takashima 463/46 X
- 4,813,675 3/1989 Greenwood 463/46
- 5,263,715 11/1993 Matsumoto et al. 273/148 B X

FIG. 10 is front view of the second game machine; and,
FIG. 11 is a top view of the second game machine.

The bottom of the second embodiment (FIG. 9) is the same as shown in FIG. 5. The undisclosed sides of the second embodiment (FIG. 9) are similar to the corresponding views of the first embodiment with the exception of the top raised element in the center.

FOREIGN PATENT DOCUMENTS

- 981686 5/1997 Japan .
- 1018766 1/1960 United Kingdom D21/13

1 Claim, 11 Drawing Sheets

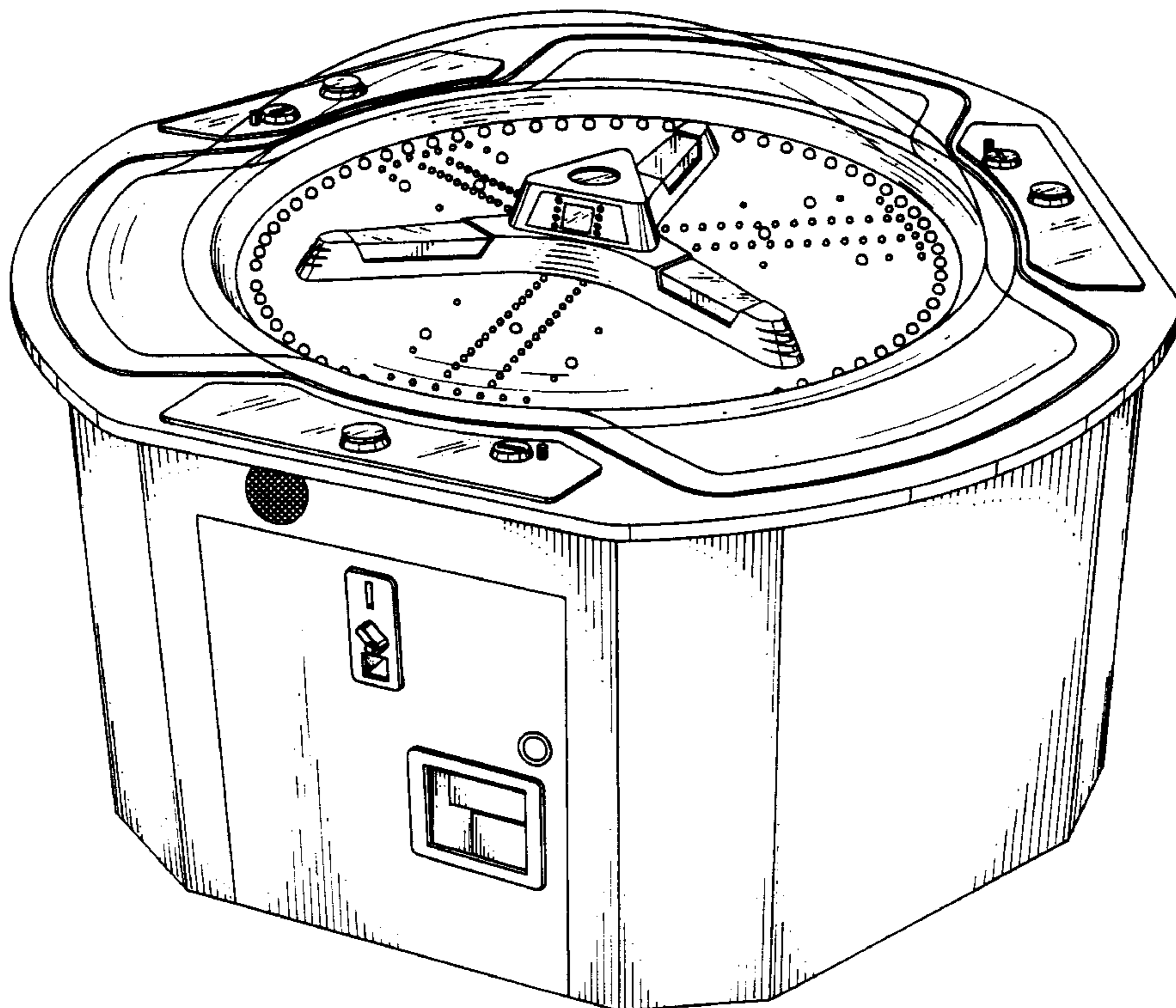


FIG. 1

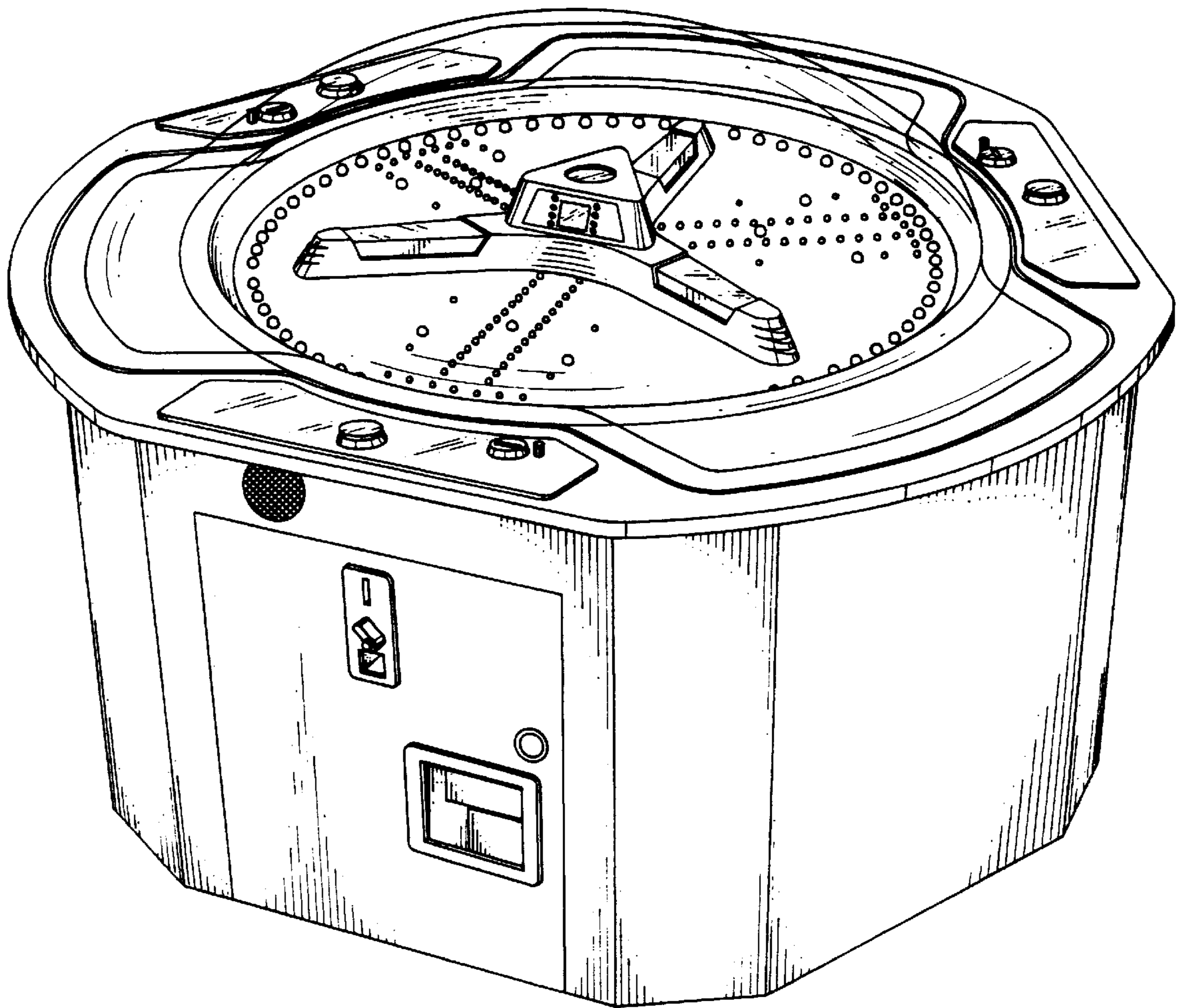


FIG. 2

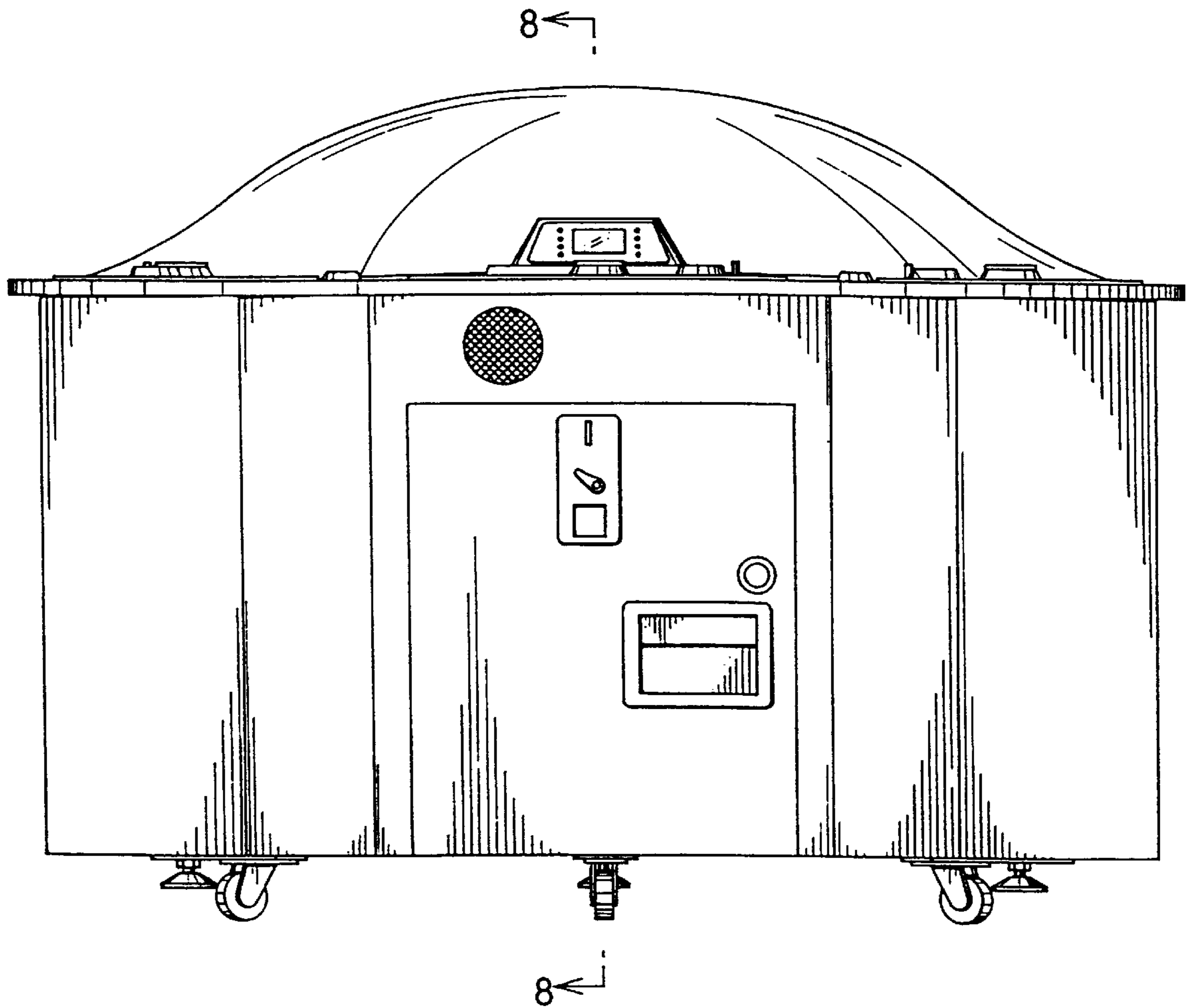


FIG. 3

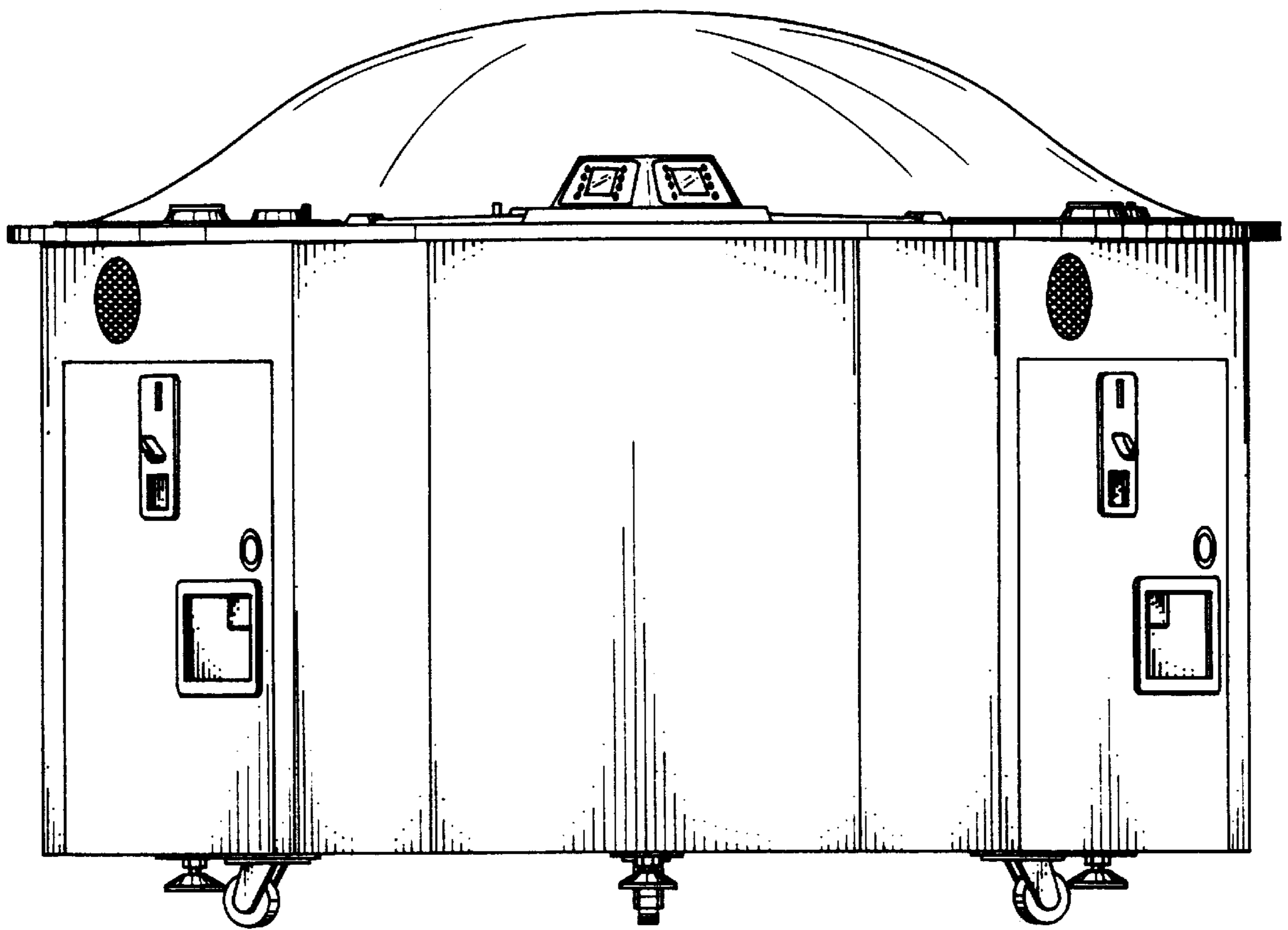


FIG. 4

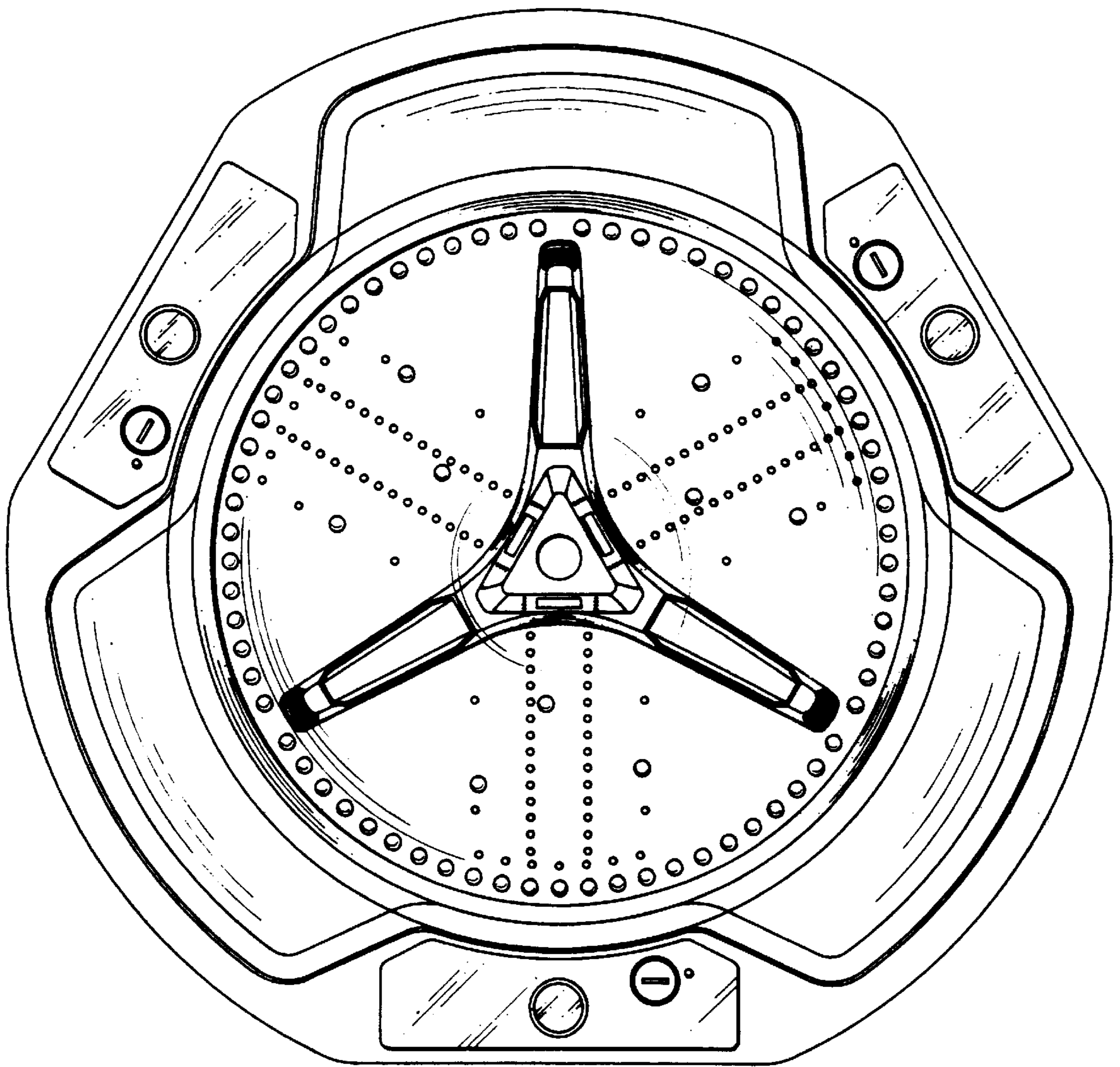


FIG. 5

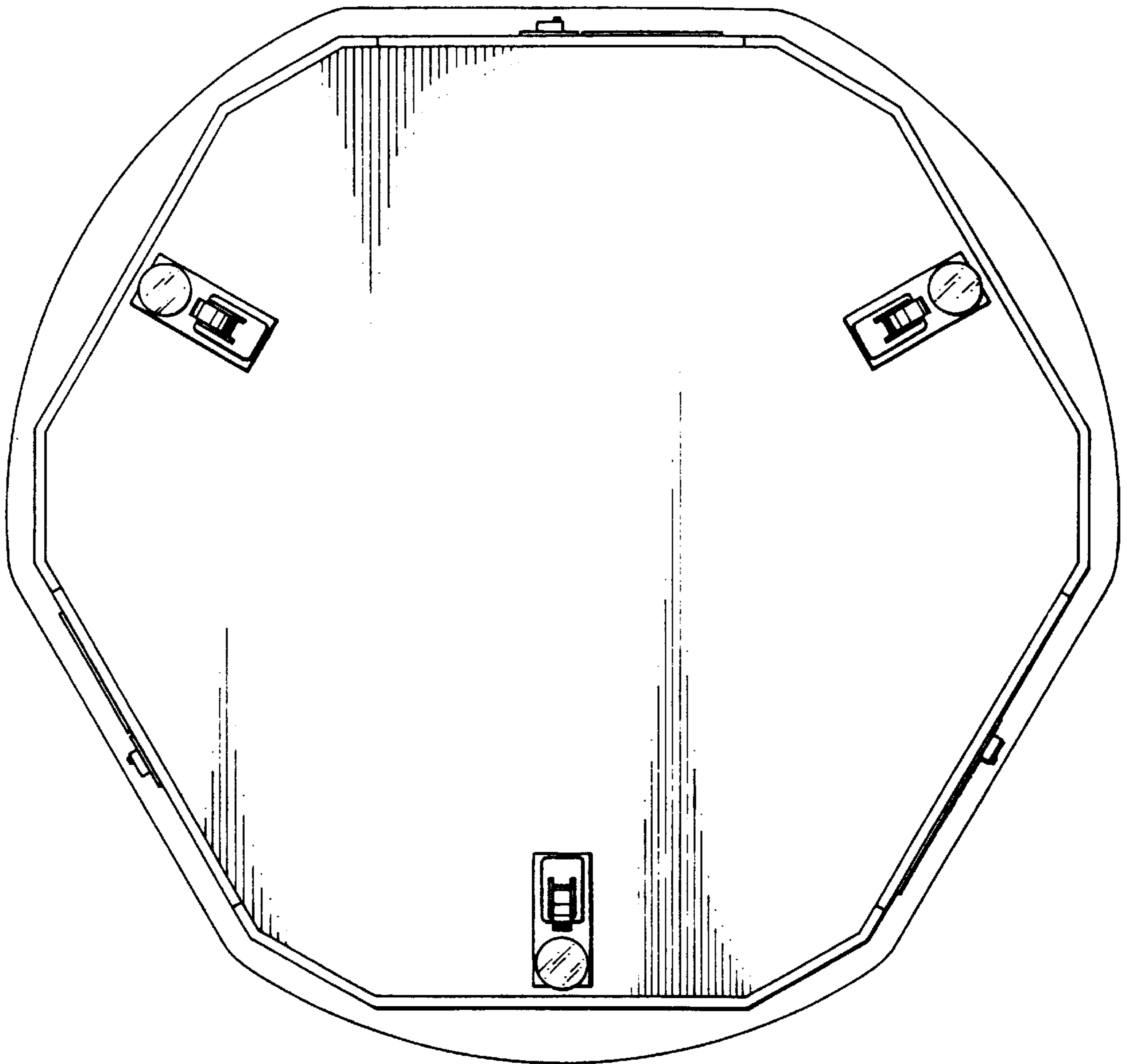


FIG. 6

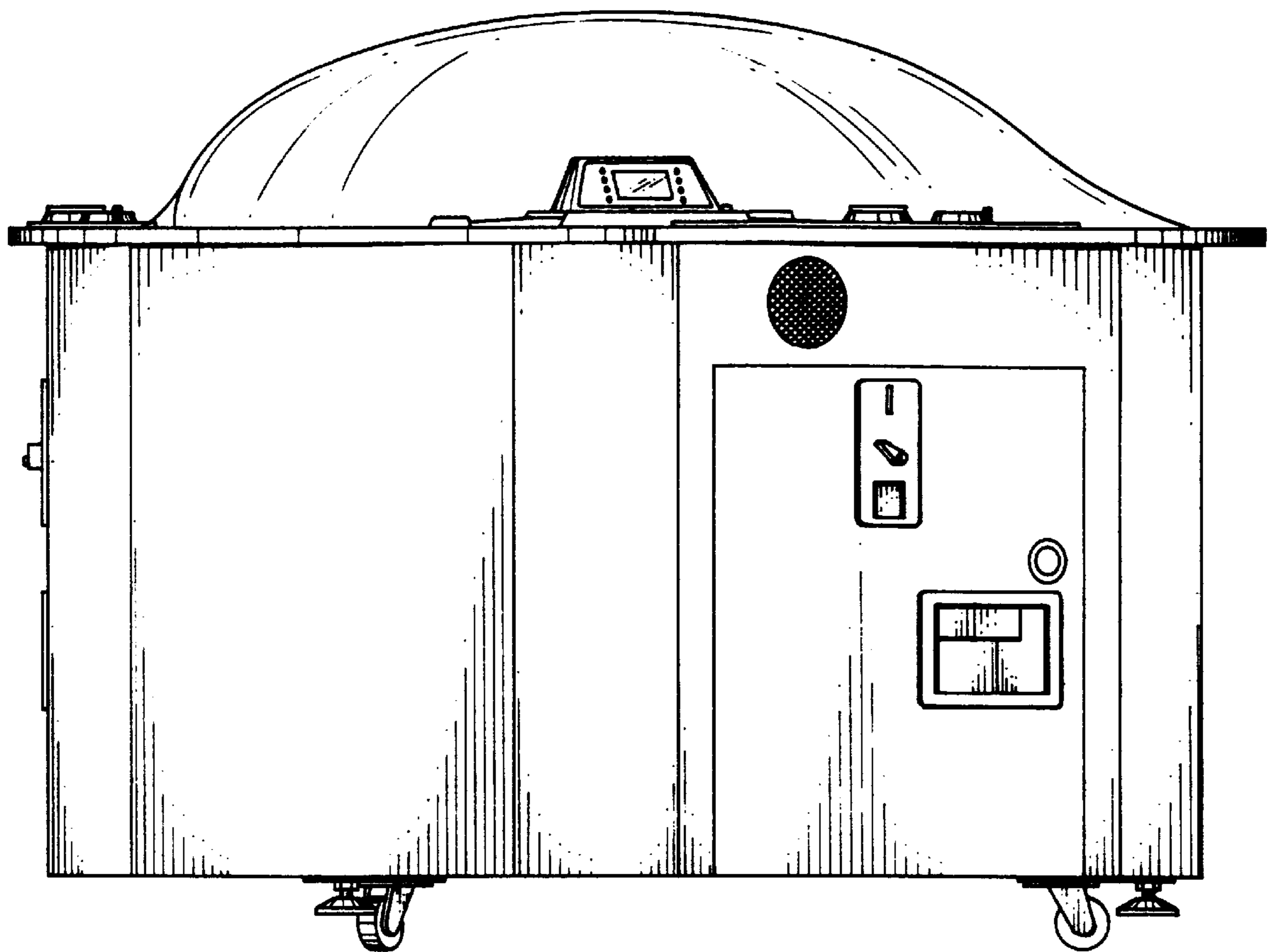


FIG. 7

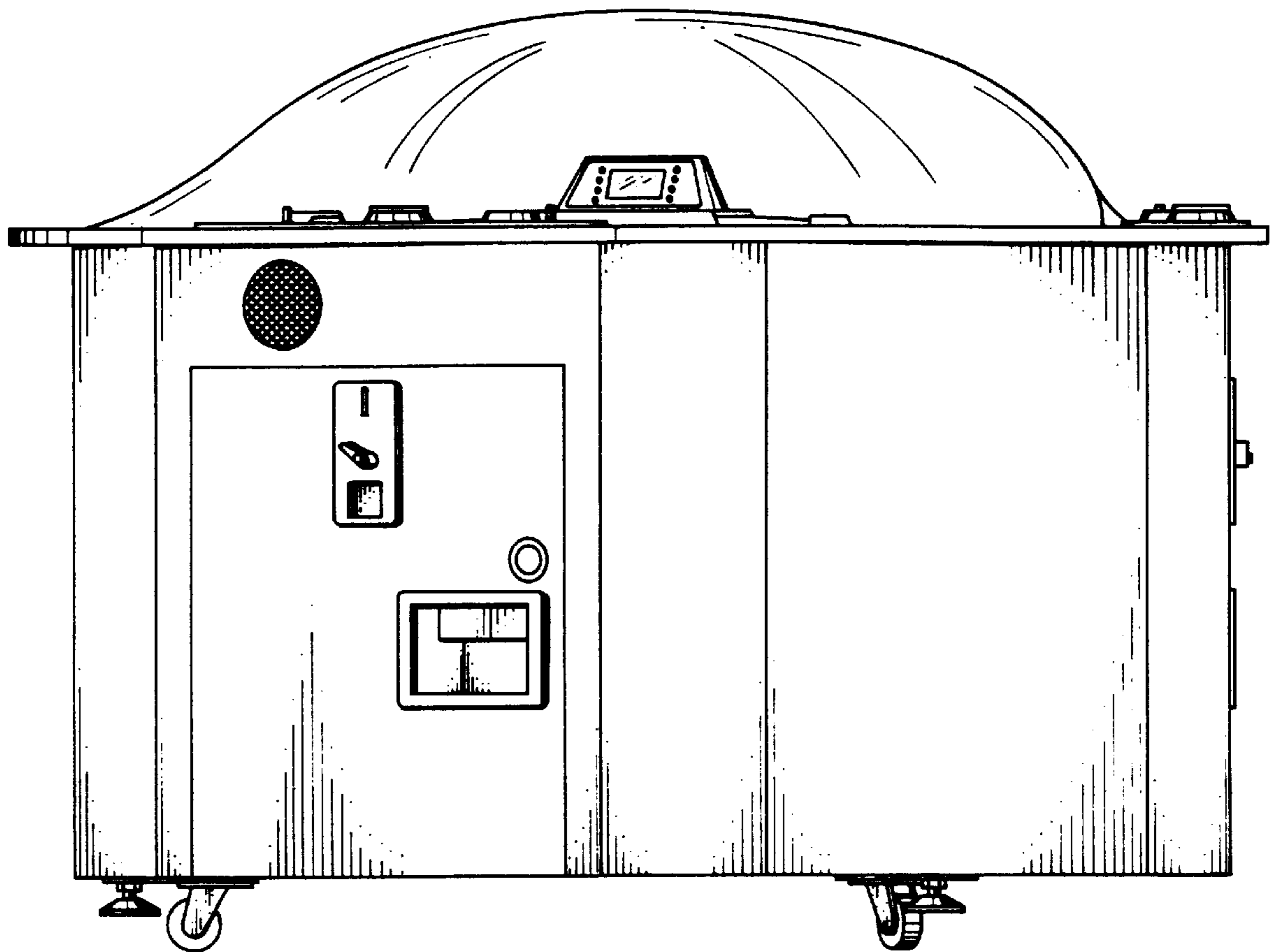


FIG. 8

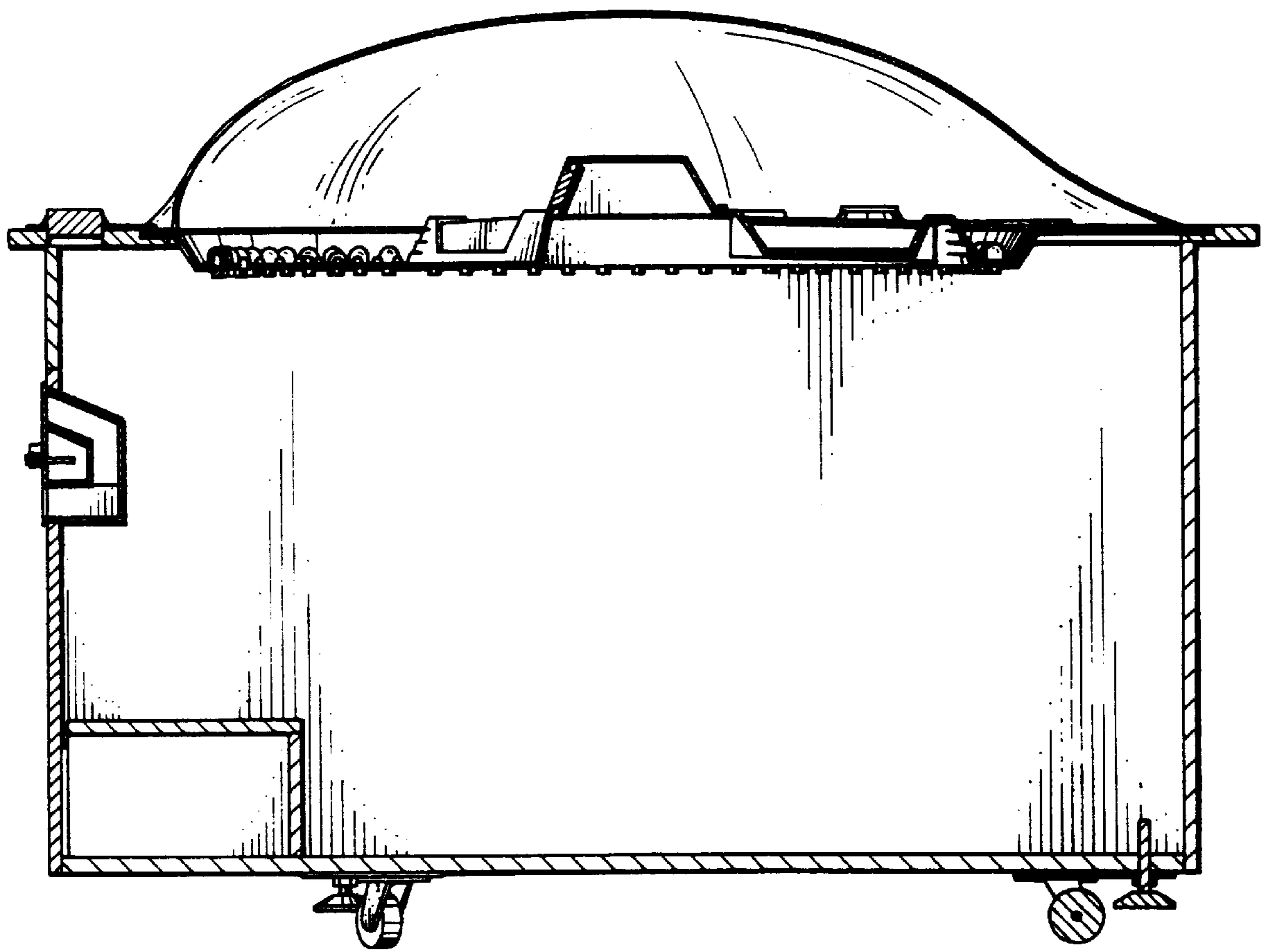


FIG. 9

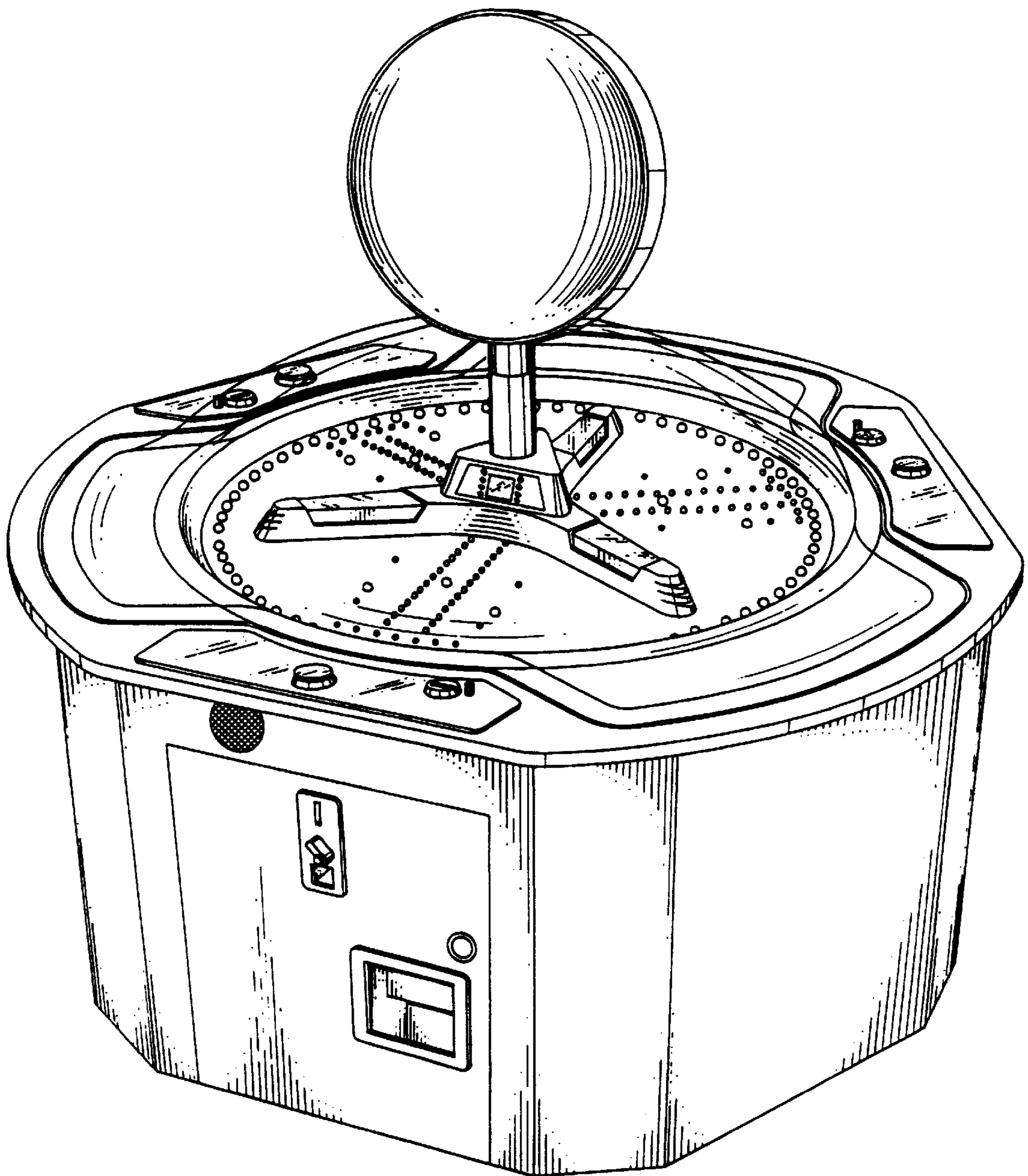


FIG. 10

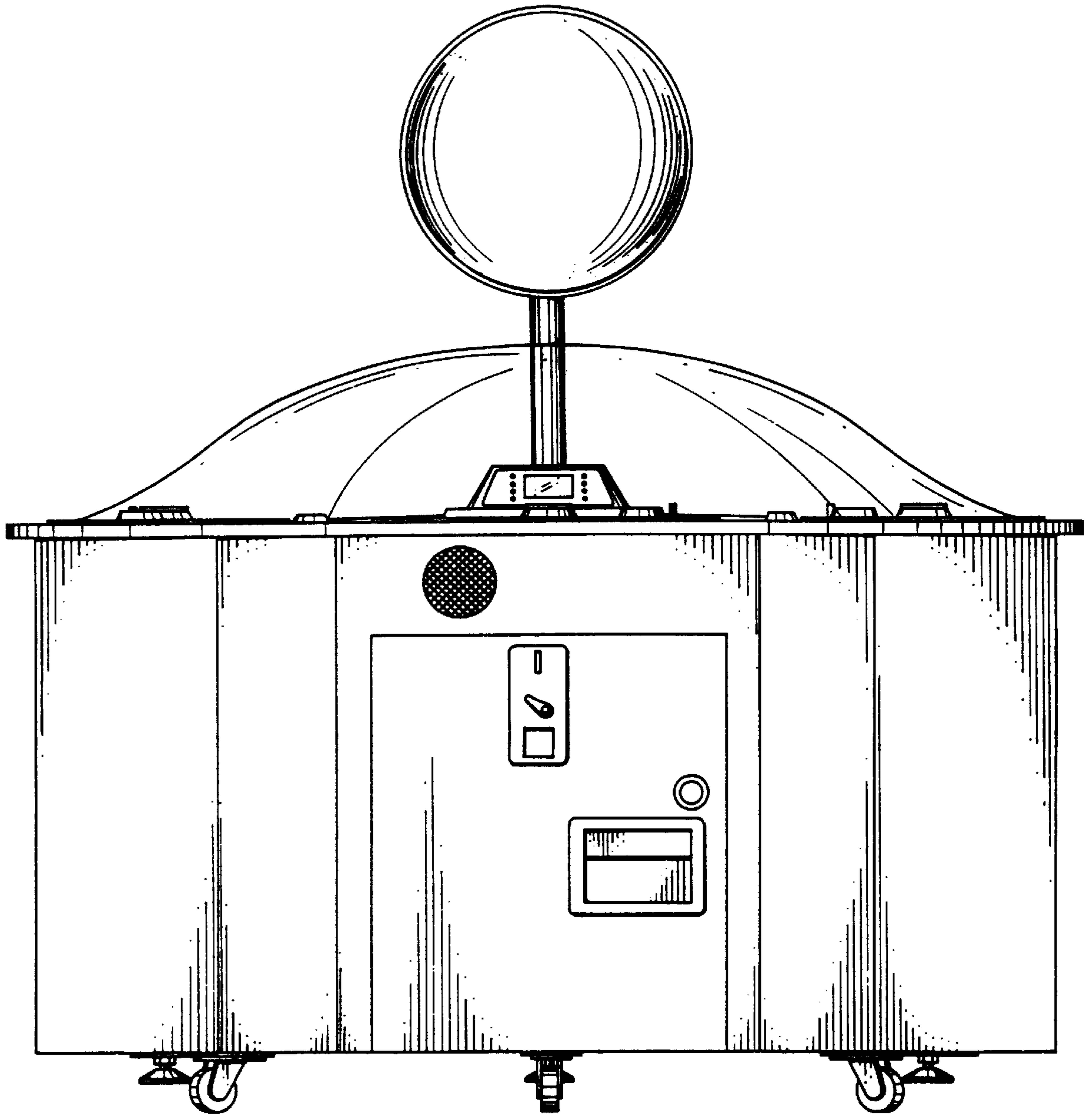


FIG. 11

