



US00D411256S

United States Patent [19] Chen

[11] Patent Number: **Des. 411,256**

[45] Date of Patent: **** Jun. 22, 1999**

[54] **DART BOARD**

[75] Inventor: **Ying-Tse Chen**, Yung Kang, Taiwan

[73] Assignee: **Pai Li Business Co., Ltd.**, Tainan Hsien, Taiwan

[**] Term: **14 Years**

[21] Appl. No.: **29/093,988**

[22] Filed: **Sep. 23, 1998**

[51] **LOC (6) Cl.** **21-01**

[52] **U.S. Cl.** **D21/307**

[58] **Field of Search** 273/236-288,
273/341, 347, 348, 408; D21/307, 308

[56] **References Cited**

U.S. PATENT DOCUMENTS

D. 378,103	2/1997	Yiu	D21/307
D. 386,795	11/1997	Yiu	D21/307
D. 389,527	1/1998	Chen	D21/307
D. 390,277	2/1998	Yiu	D21/307

D. 393,491	4/1998	Yiu	D21/307
5,540,445	7/1996	Lee	273/371
5,560,617	10/1996	Liang	273/376
5,735,527	4/1998	Yiu	273/408

Primary Examiner—Sandra L. Morris
Attorney, Agent, or Firm—Pro-Tehtor International Services

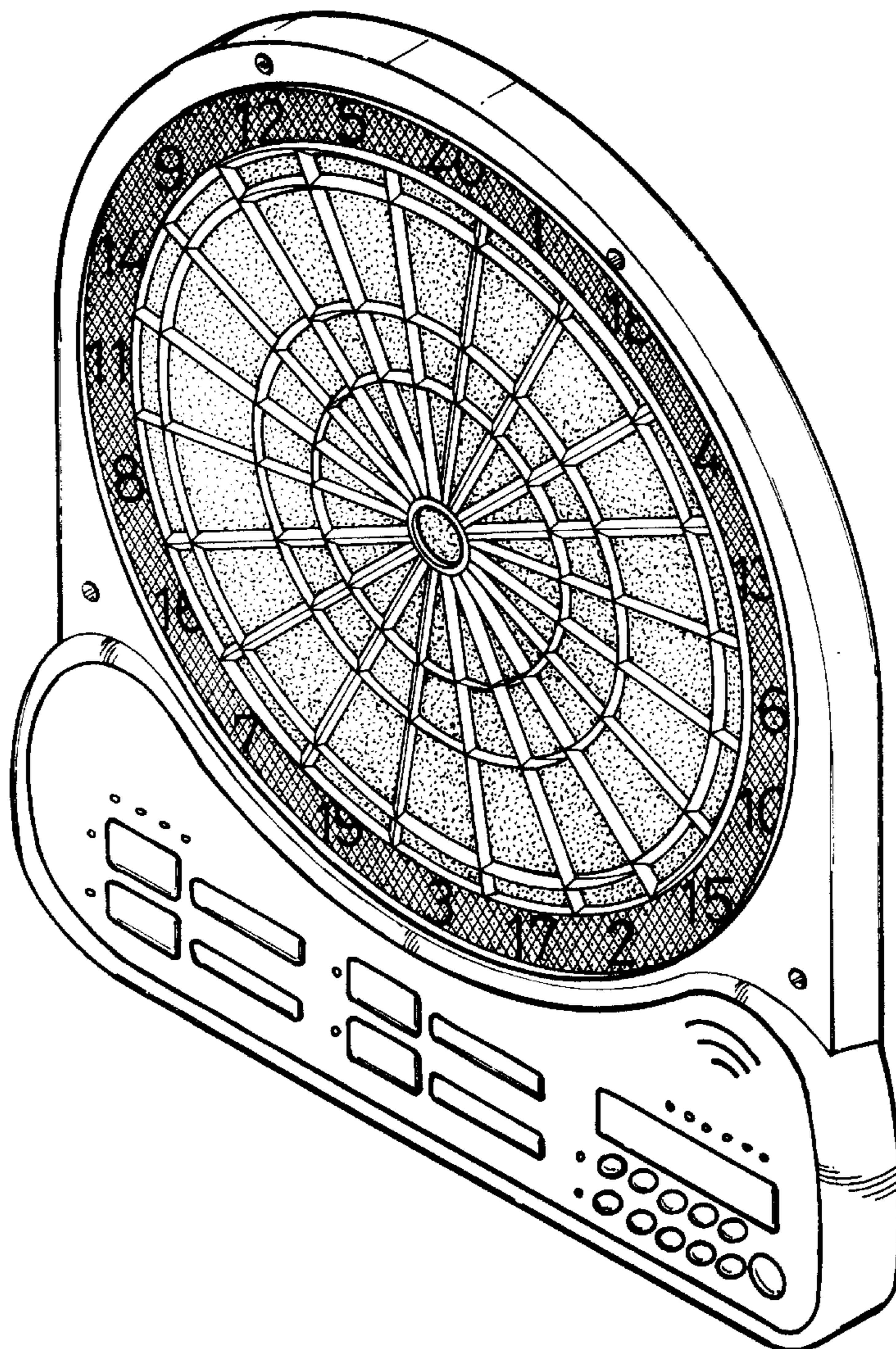
[57] **CLAIM**

The ornamental design for a dart board, as shown.

DESCRIPTION

FIG. 1 is a perspective view of a dart board showing my new design;
FIG. 2 is a front elevational view thereof;
FIG. 3 is a rear elevational view thereof;
FIG. 4 is a left elevational view thereof;
FIG. 5 is a right elevational view thereof;
FIG. 6 is a top plan view thereof; and,
FIG. 7 is a bottom plan view.

1 Claim, 4 Drawing Sheets



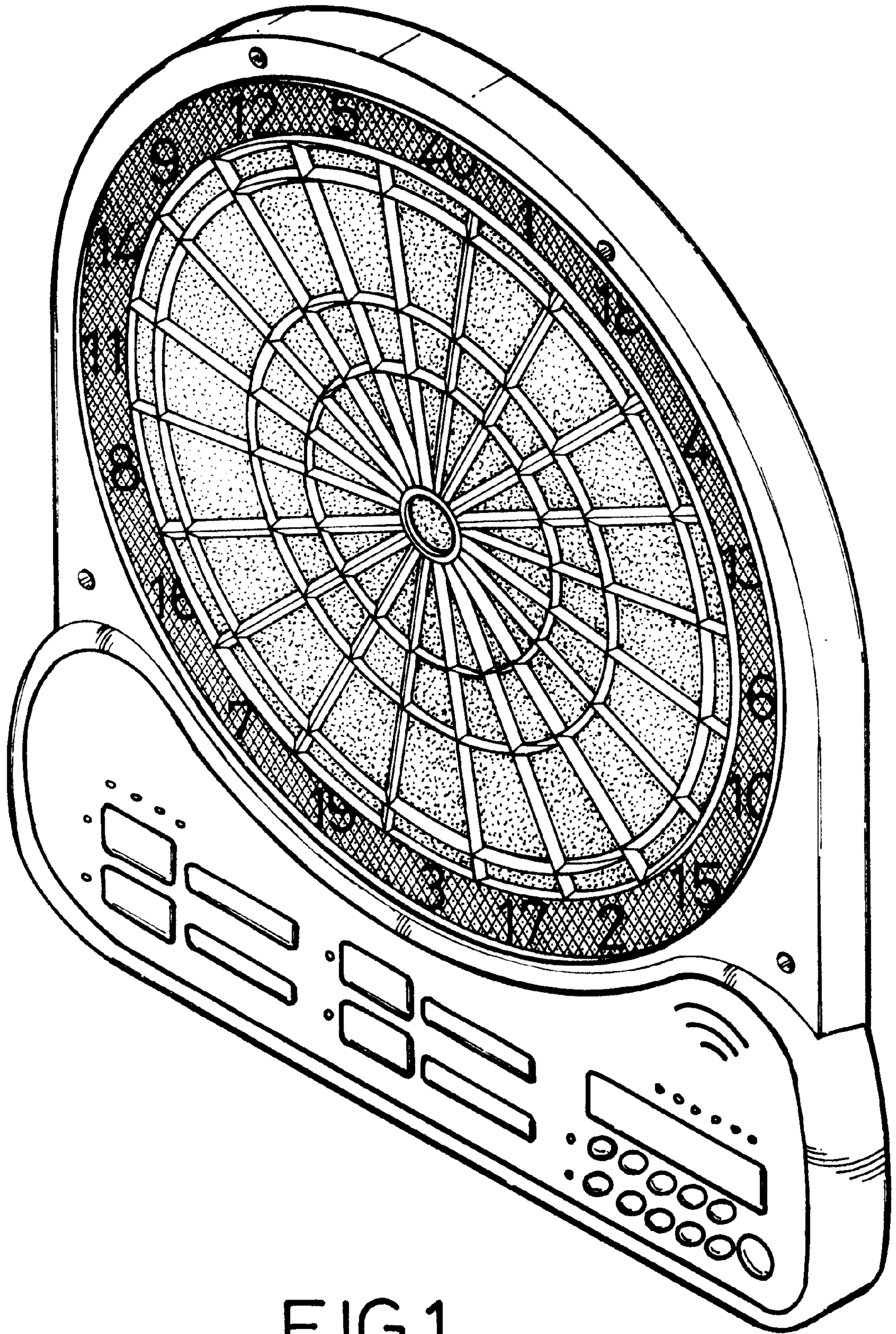


FIG.1

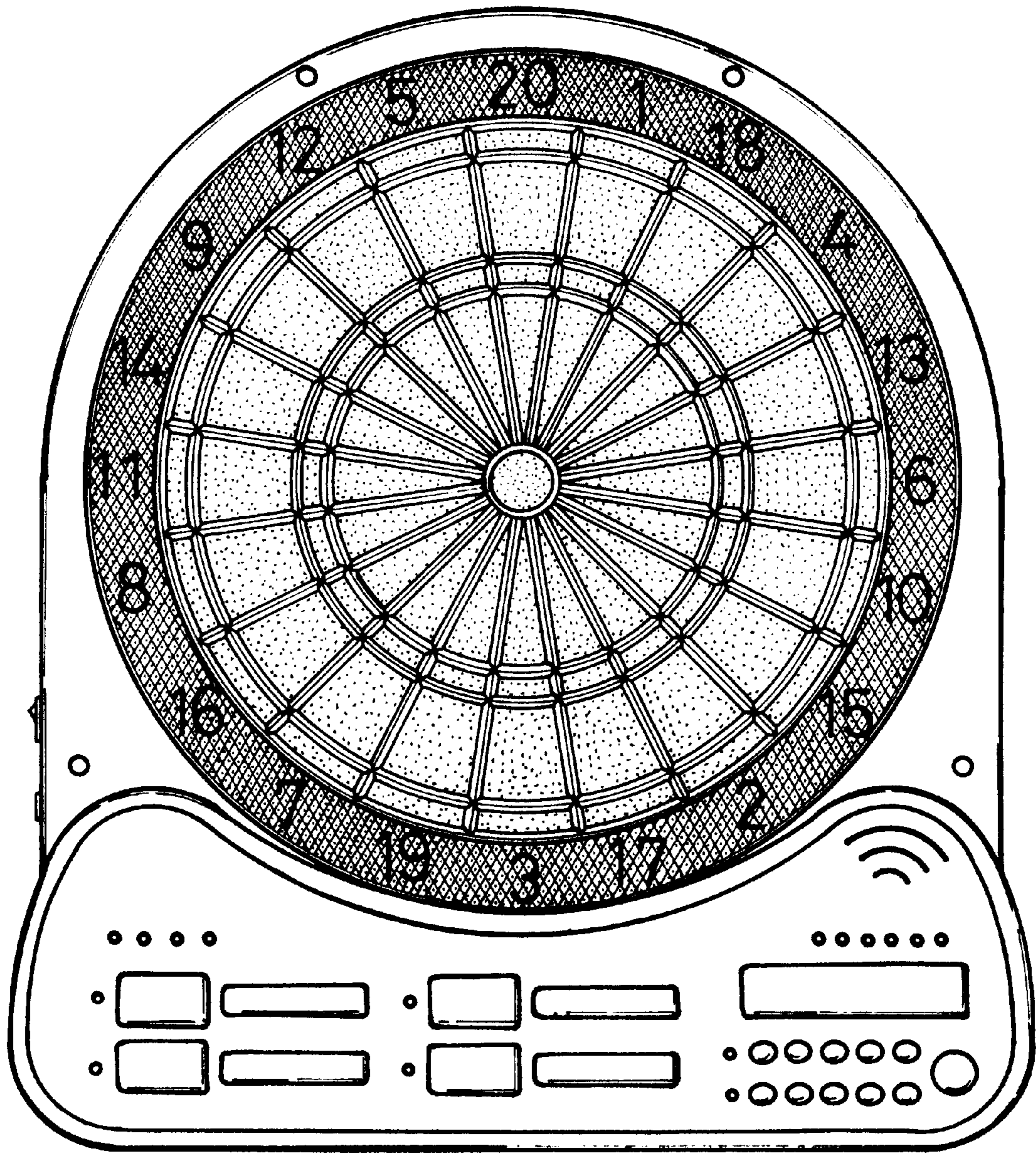


FIG. 2

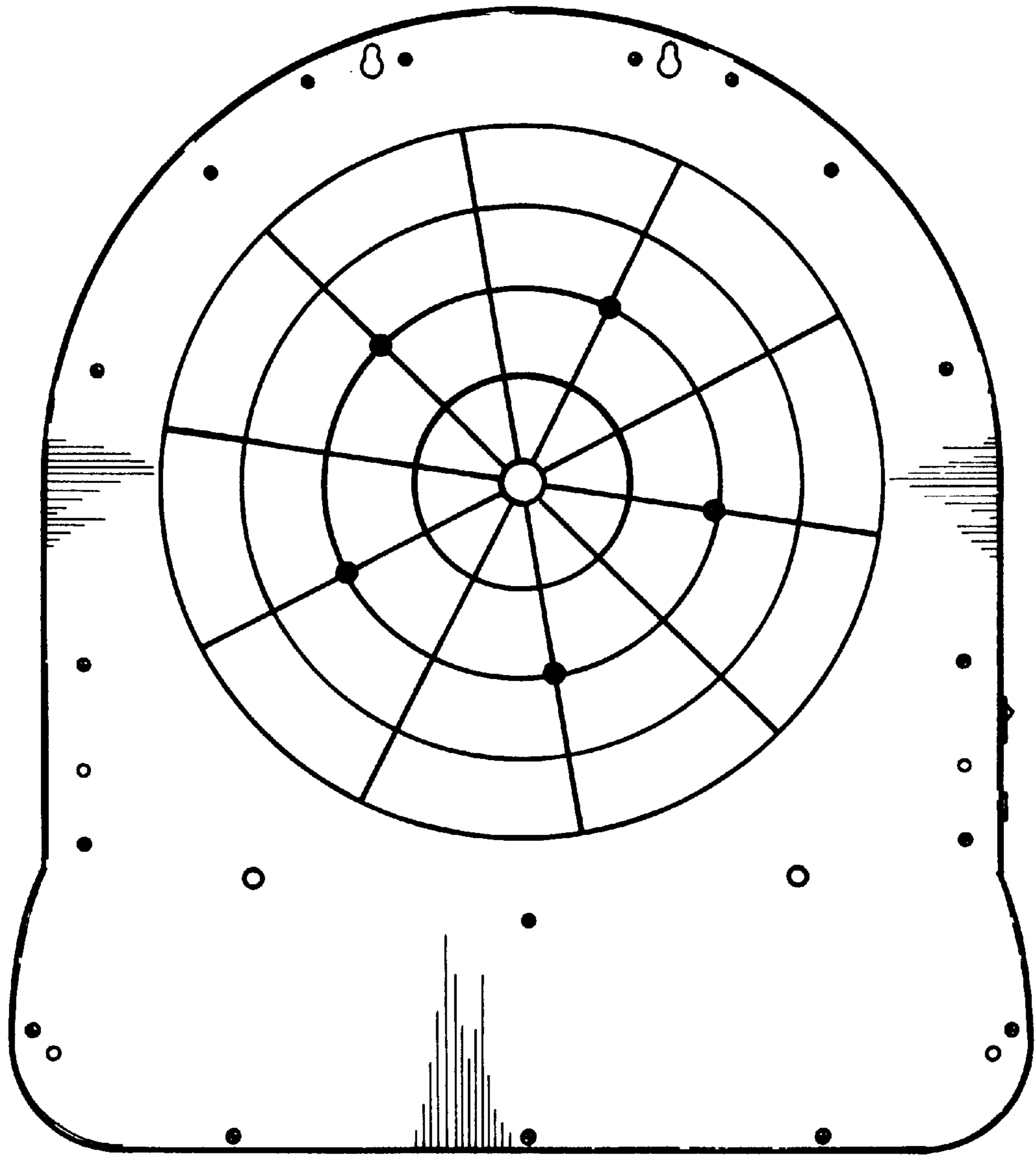


FIG. 3



FIG. 4



FIG. 5

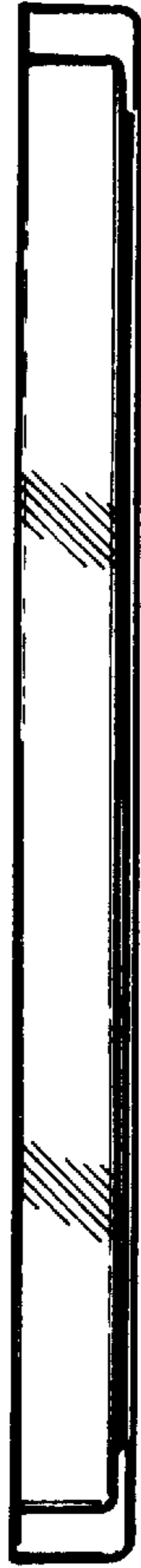


FIG. 6



FIG. 7