



US00D411254S

United States Patent [19] Kihle

[11] **Patent Number: Des. 411,254**

[45] **Date of Patent: ** Jun. 22, 1999**

[54] **DEVICE FOR DISPLAYING INFORMATION**

D. 307,037 4/1990 Downing D20/10
D. 373,145 8/1996 Pettus D20/19
5,649,379 7/1997 Hoffman et al. 40/617

[75] Inventor: **Jan Kihle**, Oslo, Norway

[73] Assignee: **Fiber Vision AS**, Oslo, Norway

[**] Term: **14 Years**

Primary Examiner—Alan P. Douglas
Assistant Examiner—Jennifer Rivard
Attorney, Agent, or Firm—Pollock, Vande Sande & Amernick

[21] Appl. No.: **29/091,913**

[22] Filed: **Aug. 7, 1998**

[57] CLAIM

[30] Foreign Application Priority Data

Feb. 18, 1998 [NO] Norway D980126

I claim the ornamental design for a device for displaying information, as shown and described.

[51] **LOC (6) Cl.** **20-02**

[52] **U.S. Cl.** **D20/42; D20/10**

[58] **Field of Search** D20/10, 42, 21,
D20/41, 19; 40/584, 502, 541, 575, 564,
577, 661, 661.02, 547, 617; D16/228

DESCRIPTION

Fig. 1 is a front elevation view of the device for displaying information, the rear elevation view being a mirror image; FIG. 2 is a top plan view of the device; FIG. 3 is a bottom plan view of the device; FIG. 4 is a top perspective view taken from one side of the device; and, FIG. 5 is a bottom perspective view taken from the other side of the device.

[56] References Cited

U.S. PATENT DOCUMENTS

D. 234,631 3/1975 Ljung D16/228

1 Claim, 3 Drawing Sheets

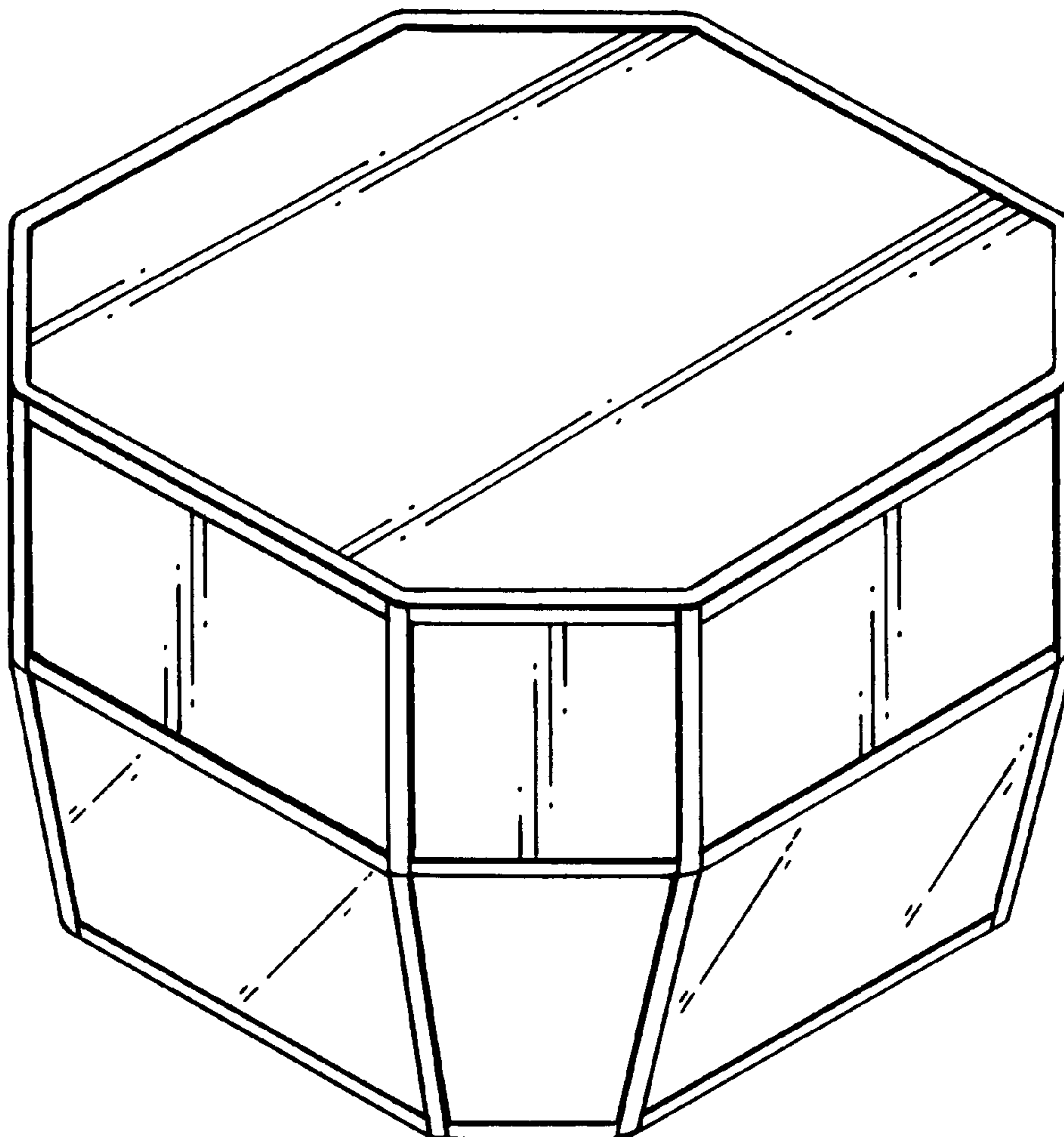


Fig.1.

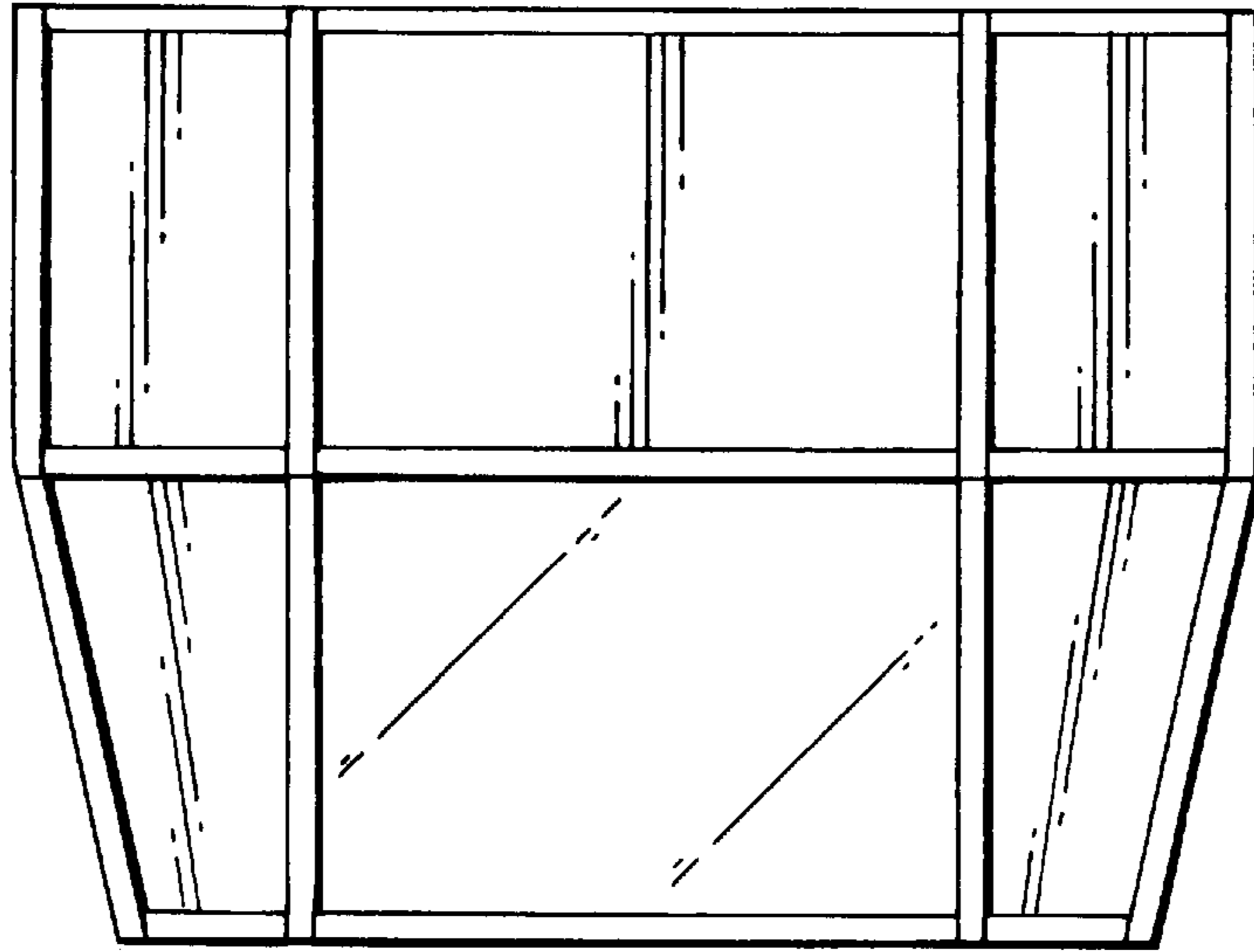


Fig.2.

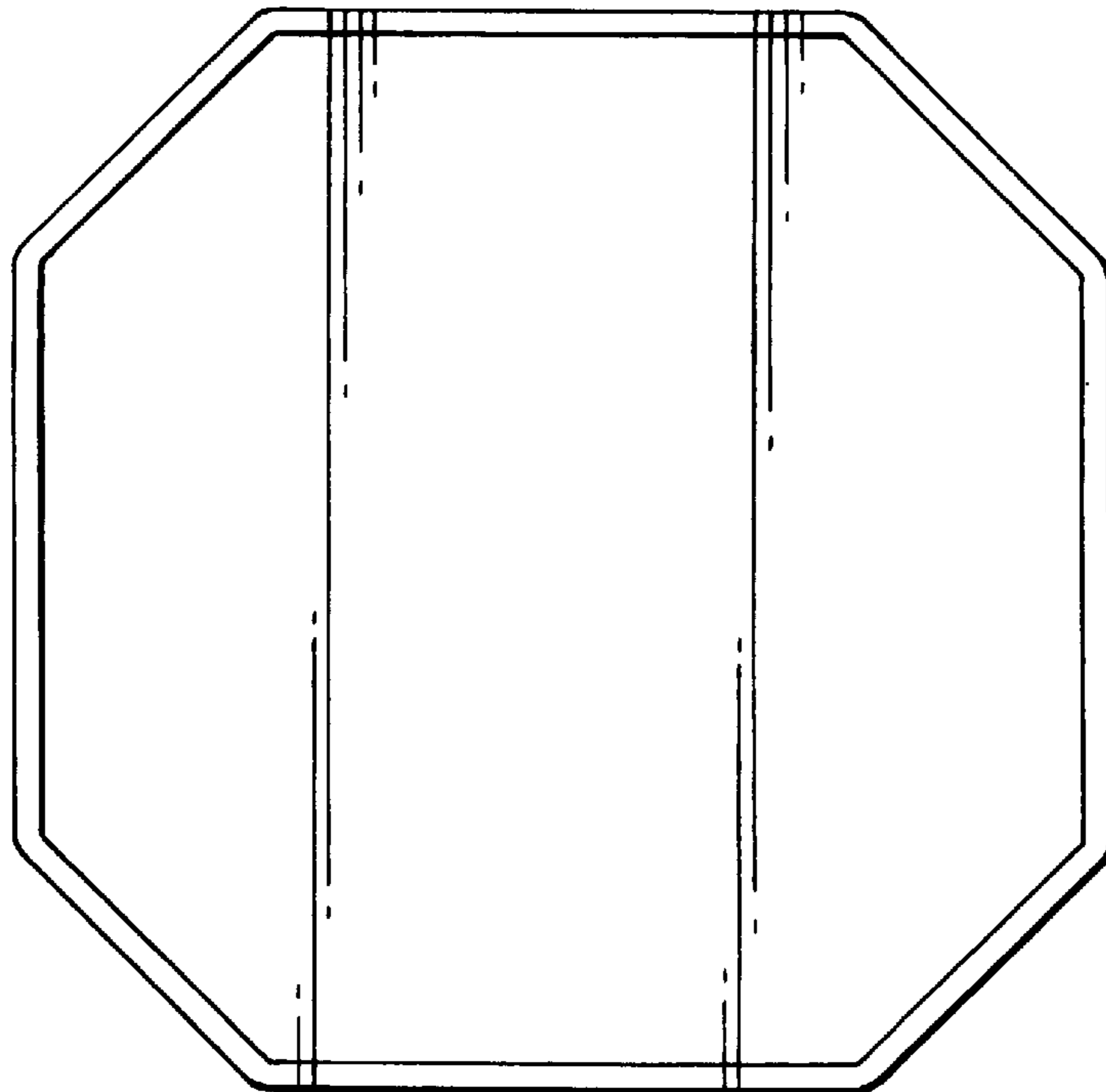


Fig.3.

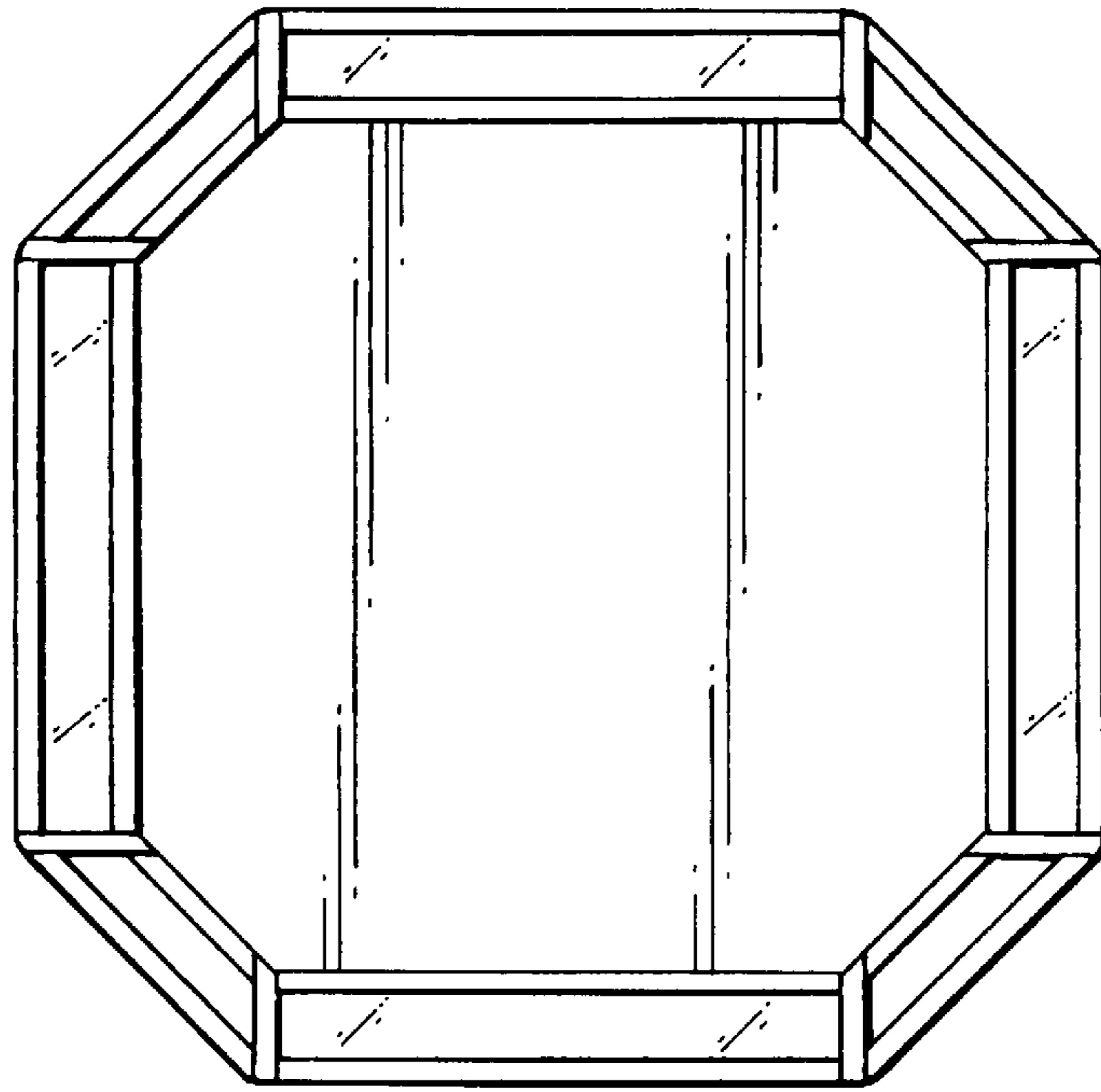


Fig.4.

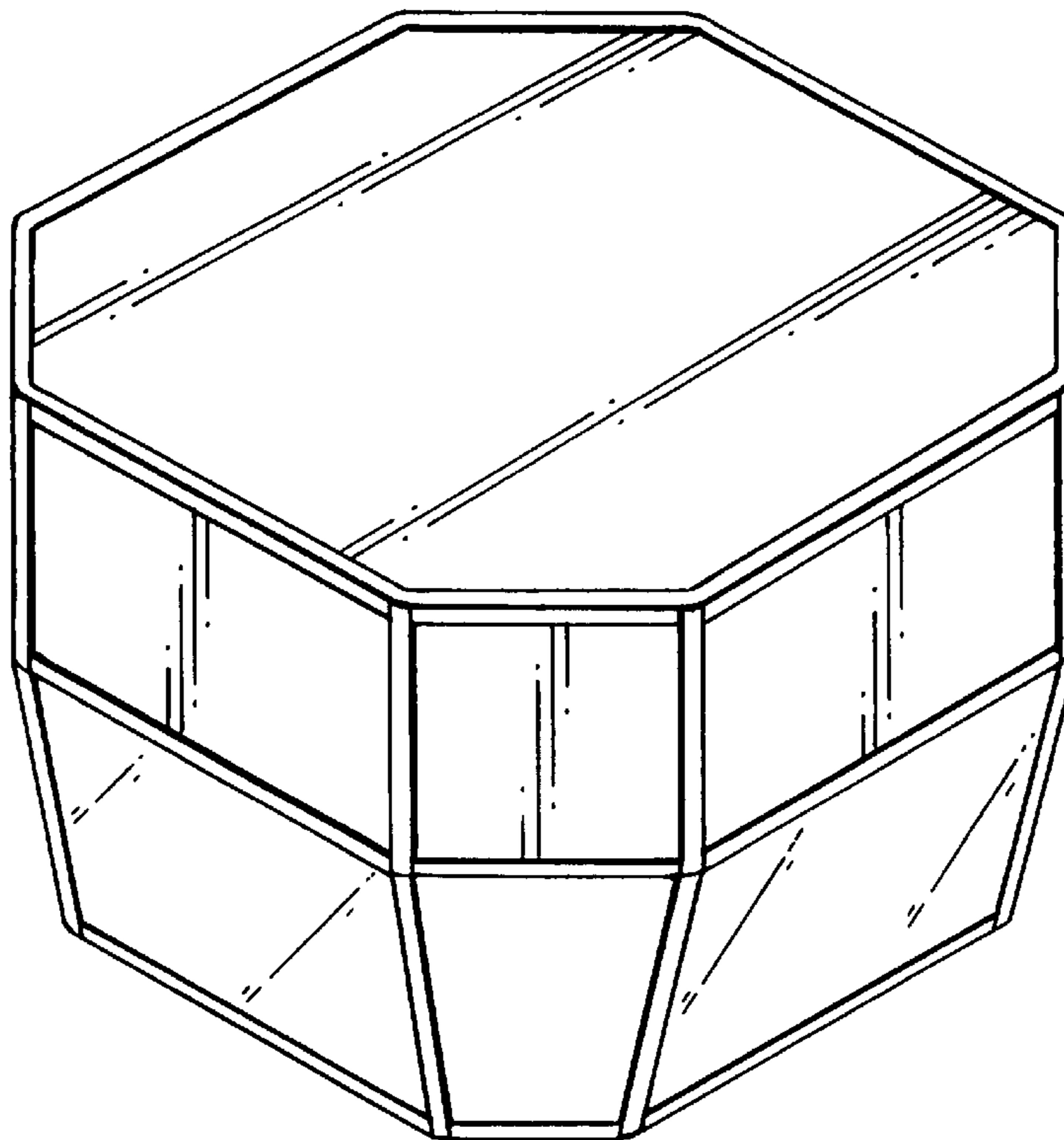


Fig.5.

