



US00D411251S

United States Patent [19] Brown

[11] **Patent Number: Des. 411,251**
[45] **Date of Patent: ** Jun. 22, 1999**

[54] **HINGED SPREADER ASSEMBLY WITH OVERLAY SHELLS FOR SHOES AND BOOTS**

[75] Inventor: **Dennis N. Brown**, Blaine, Wash.

[73] Assignee: **Superfeet Worldwide LLC**, Ferndale, Wash.

[**] Term: **14 Years**

[21] Appl. No.: **29/075,074**

[22] Filed: **Aug. 12, 1997**

Related U.S. Application Data

[62] Division of application No. 29/039,537, May 26, 1995, Pat. No. Des. 382,103.

[51] **LOC (6) Cl.** **07-99**

[52] **U.S. Cl.** **D2/979**

[58] **Field of Search** D8/51, 52; D2/979; 12/114.4, 115.2, 114.2, 115.4, 116.8, 119.5, 142 N

[56] References Cited

U.S. PATENT DOCUMENTS

D. 204,448	4/1966	Johnson	D2/979
D. 217,944	6/1970	Dunkelman	D2/979
D. 221,498	8/1971	Goldberg	D2/979

D. 331,691	12/1992	Chan	D8/107
D. 331,828	12/1992	Issler	D2/979
D. 338,323	8/1993	Bramble	D2/979
D. 360,816	8/1995	Brown	D8/106
1,917,041	7/1933	Legge	12/115.2
4,060,869	12/1977	Brown	12/115.2
5,337,432	8/1994	Pirhonen	12/115.2

Primary Examiner—Philip S. Hyder
Attorney, Agent, or Firm—Todd N. Hathaway

[57] CLAIM

The ornamental design for a hinged spreader assembly with overlay shells for shoes and boots, as shown and described.

DESCRIPTION

FIG. 1 is a perspective view of a hinged spreader assembly with overlay shells for shoes and boots showing my new design;

FIG. 2 is a top plan view thereof, wherein the broken line image showing the expander is for illustrative purposes only and forms no part of the claimed design;

FIG. 3 is a right side elevational view of the hinged spreader assembly with overlay shells;

FIG. 4 is a bottom plan view thereof;

FIG. 5 is a left side elevational view thereof;

FIG. 6 is a forward end elevational view thereof; and,

FIG. 7 is a rearward end elevational view thereof.

1 Claim, 2 Drawing Sheets

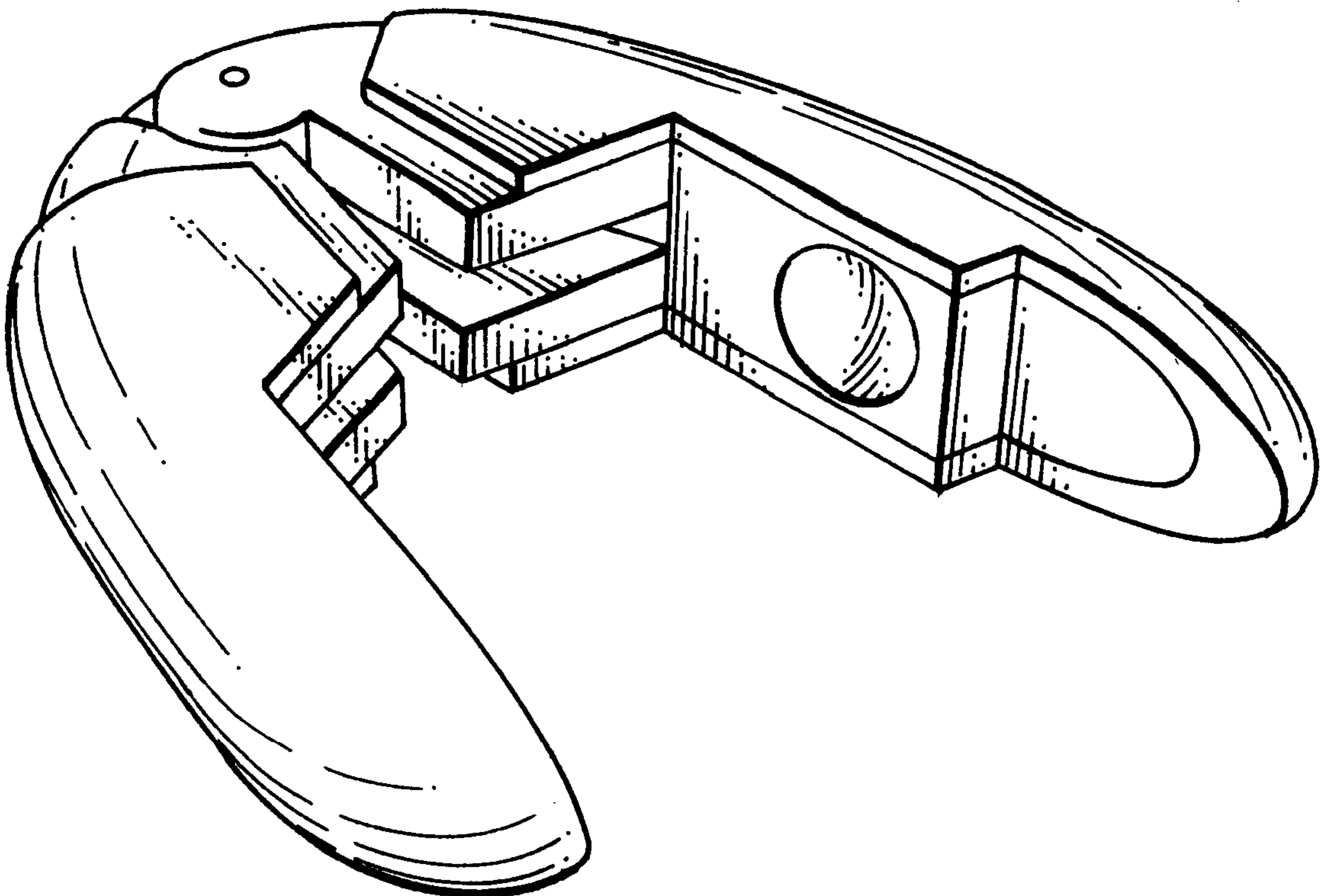


FIG. 1

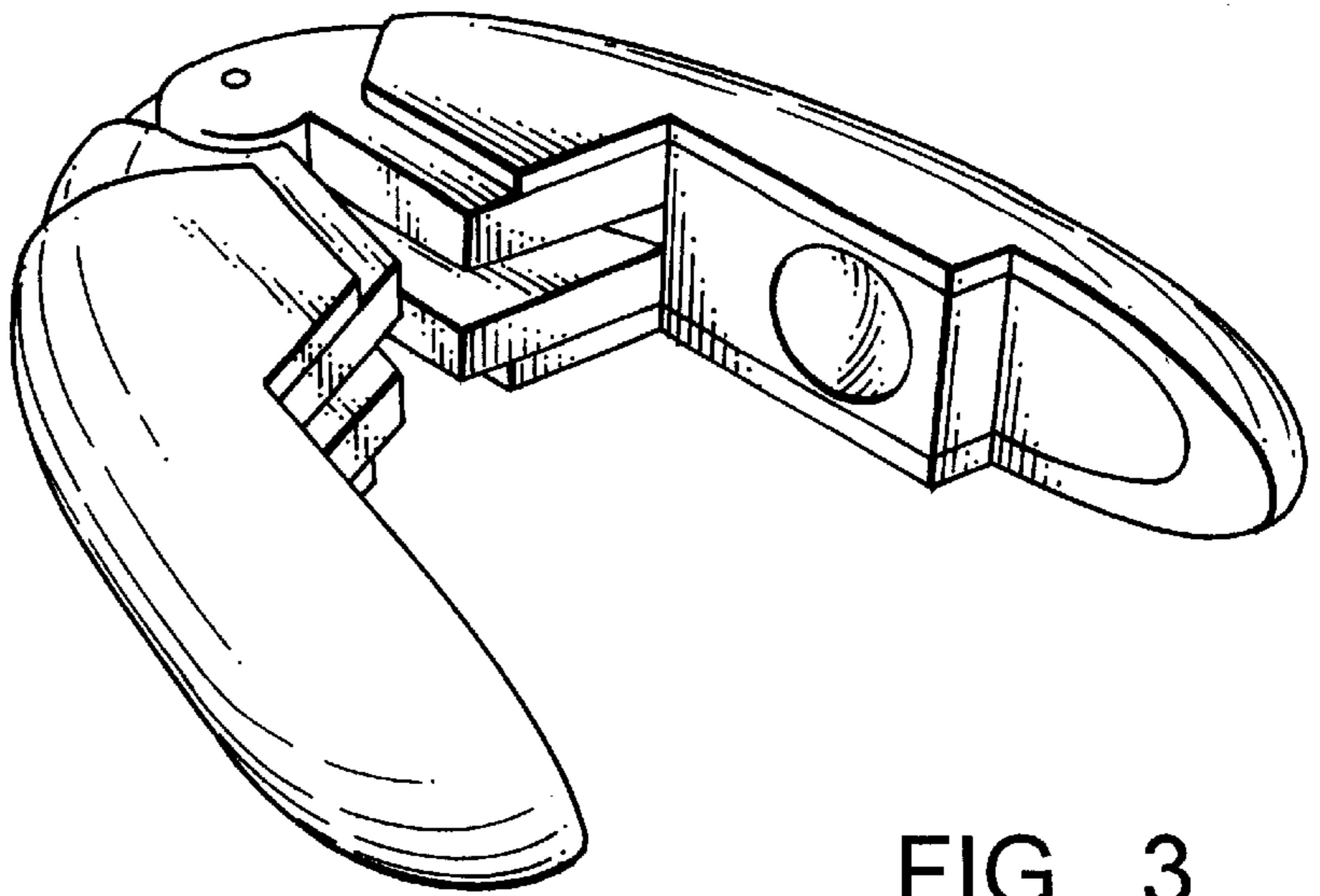


FIG. 2

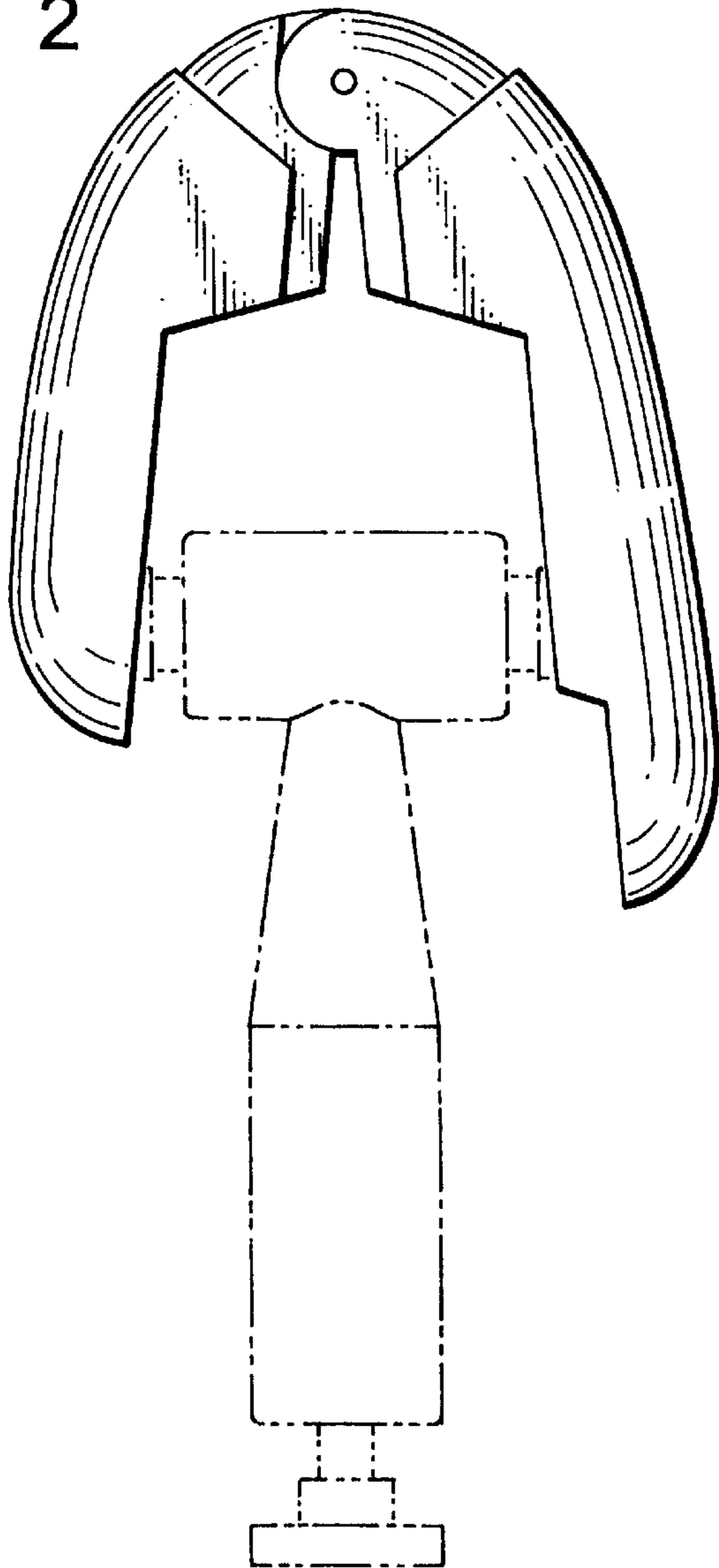


FIG. 3

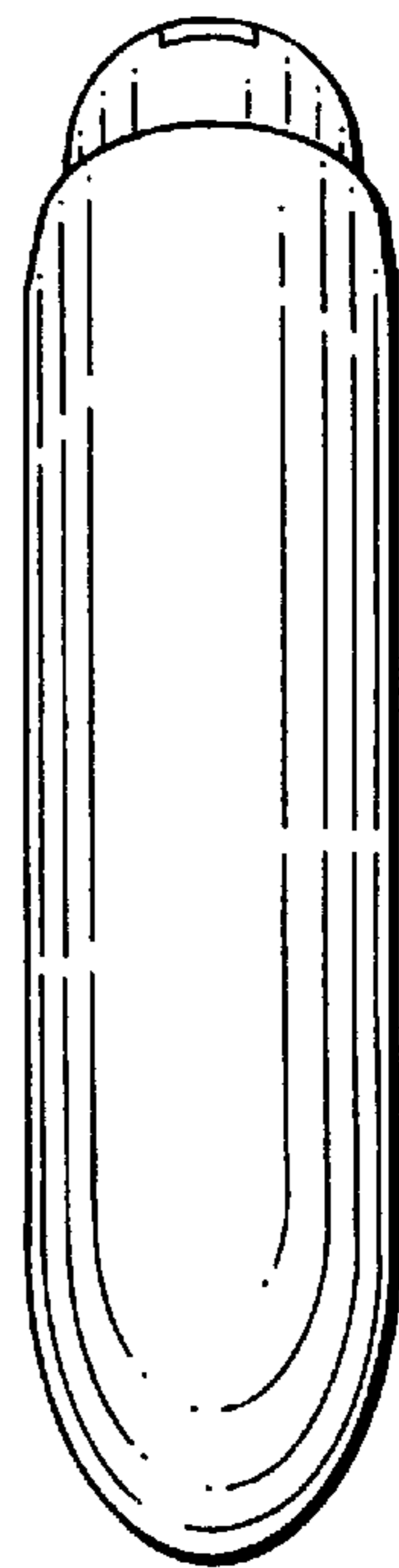


FIG. 4

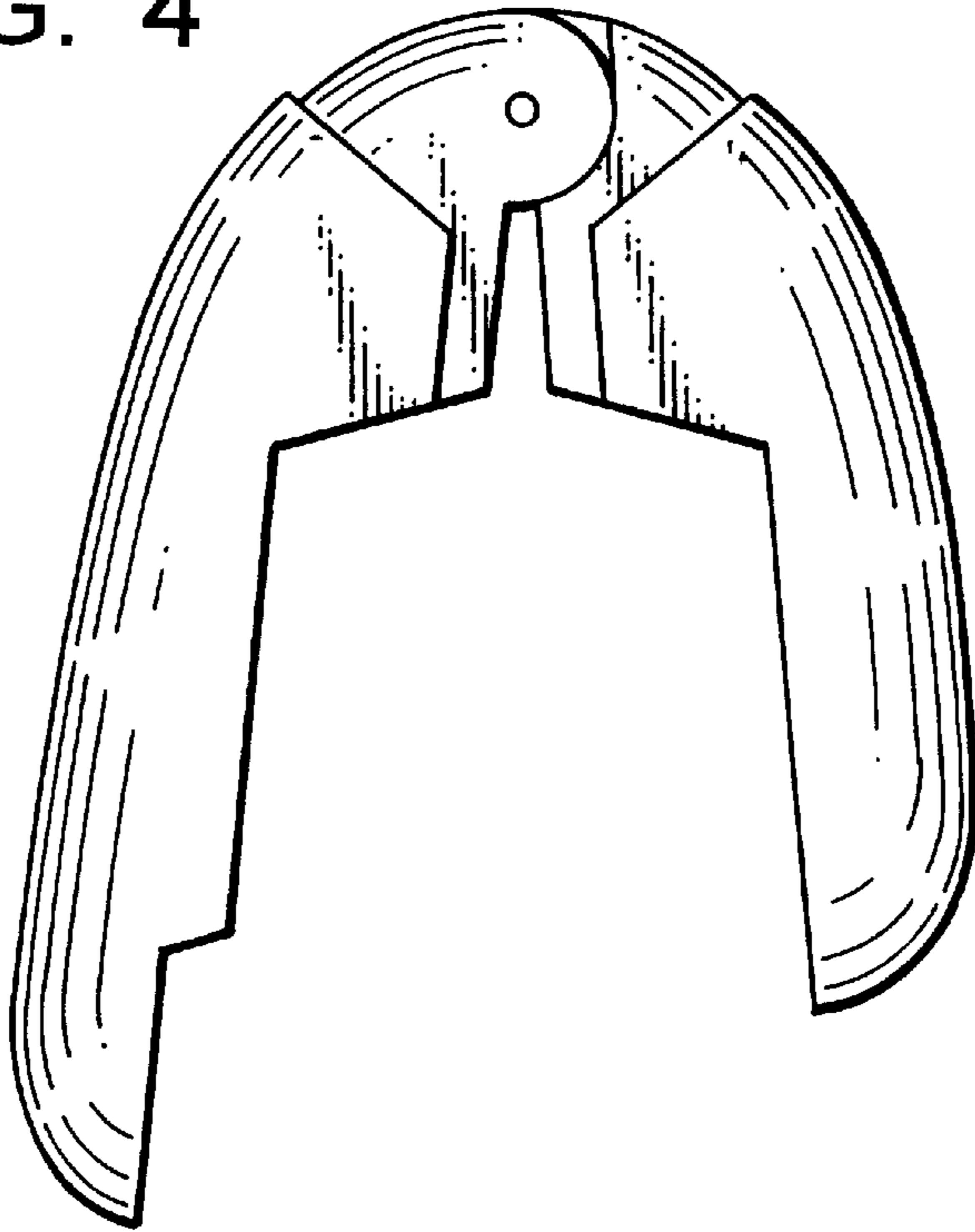


FIG. 5



FIG. 6

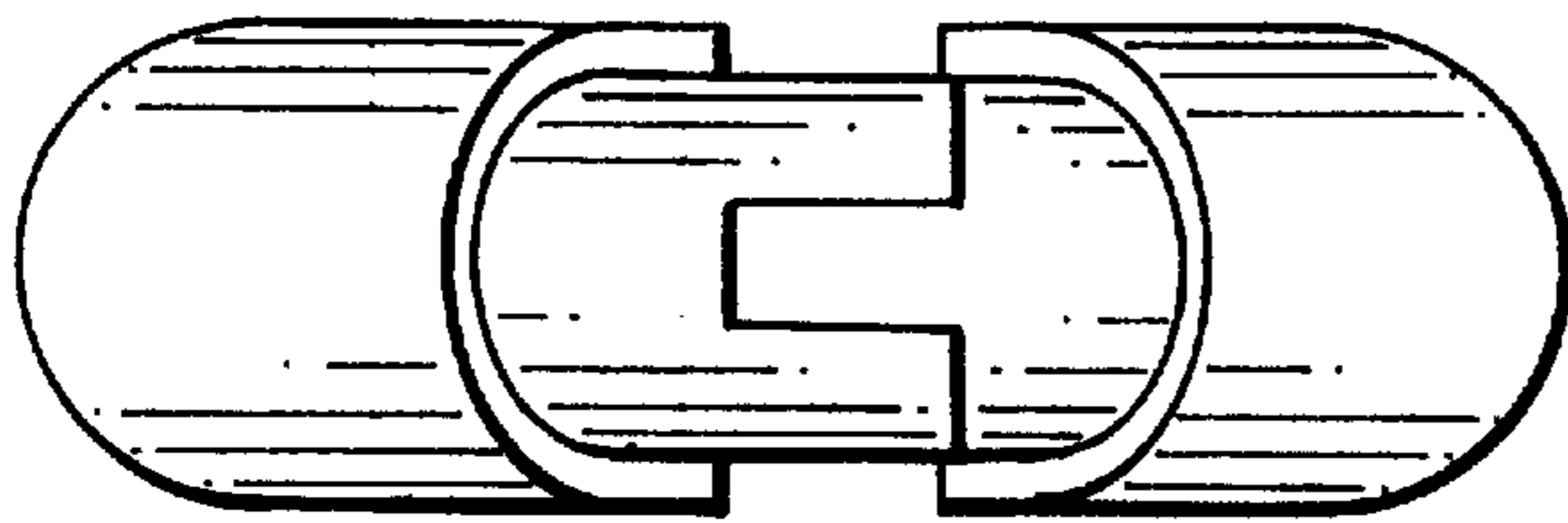


FIG. 7

