



US00D411240S

United States Patent [19] Risiko

[11] Patent Number: **Des. 411,240**

[45] Date of Patent: **** Jun. 22, 1999**

[54] **BRUSH SANDAL**

[76] Inventor: **Denise Risiko**, 52 Inwood St., Clifton, N.J. 07011

[**] Term: **14 Years**

[21] Appl. No.: **29/076,018**

[22] Filed: **Aug. 29, 1997**

[51] **LOC (6) Cl.** **02-04**

[52] **U.S. Cl.** **D2/916; D4/130; D2/897**

[58] **Field of Search** **D2/897, 909, 916; D4/130, 124; 15/227, 159.1; D28/63; 36/7.1, 7.2, 7.4**

[56] **References Cited**

U.S. PATENT DOCUMENTS

D. 60,941	5/1922	Kohn	D4/130
D. 348,763	7/1994	Judd et al.	D4/916
D. 389,318	1/1998	Williams	D4/130

Primary Examiner—Louis S. Zarfes
Assistant Examiner—Greg Andoll

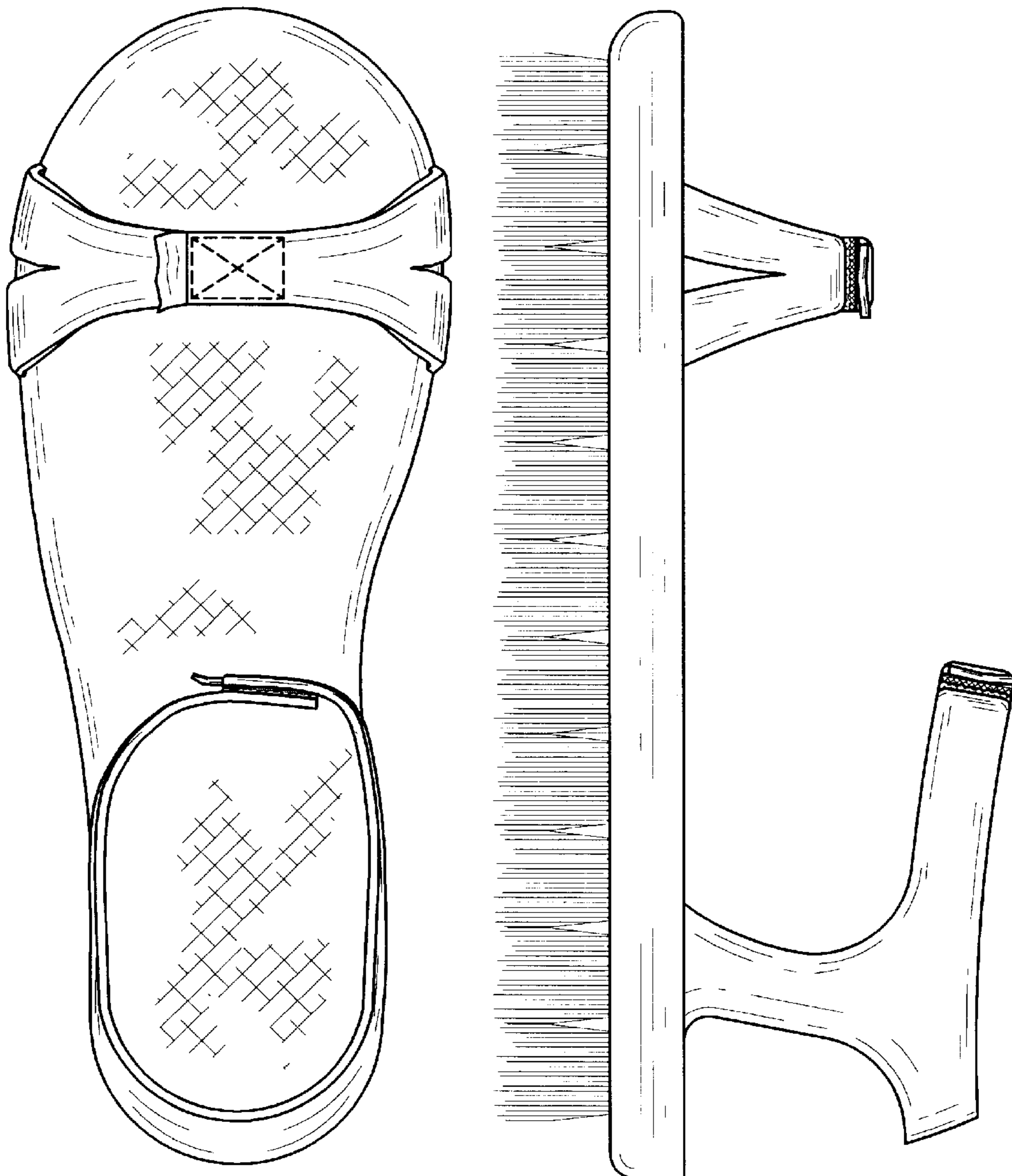
[57] **CLAIM**

The ornamental design for a brush sandal, as shown and described.

DESCRIPTION

FIG. 1 is a front plan view of the brush sandal of the present invention;
FIG. 2 is a back plan view of the brush sandal of FIG. 1;
FIG. 3 is a left side plan view of the brush sandal of FIG. 1;
FIG. 4 is a right side plan view of the brush sandal of FIG. 1;
FIG. 5 is a top plan view of the brush sandal of FIG. 1; and,
FIG. 6 is a bottom plan view of the brush sandal of FIG. 1.
The partial rendering of the sole in FIG. 1 is for ease of illustration. It is to be understood that the pattern continues throughout the surface on which it is partially shown.

1 Claim, 3 Drawing Sheets



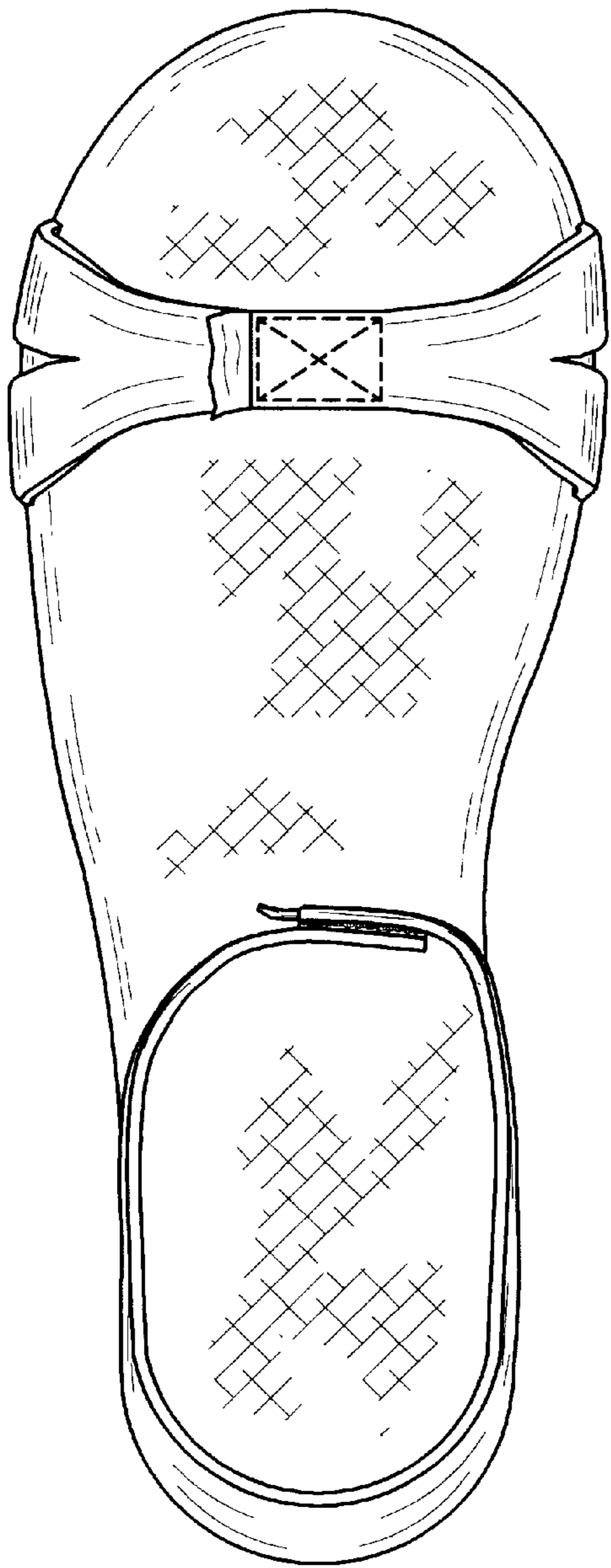
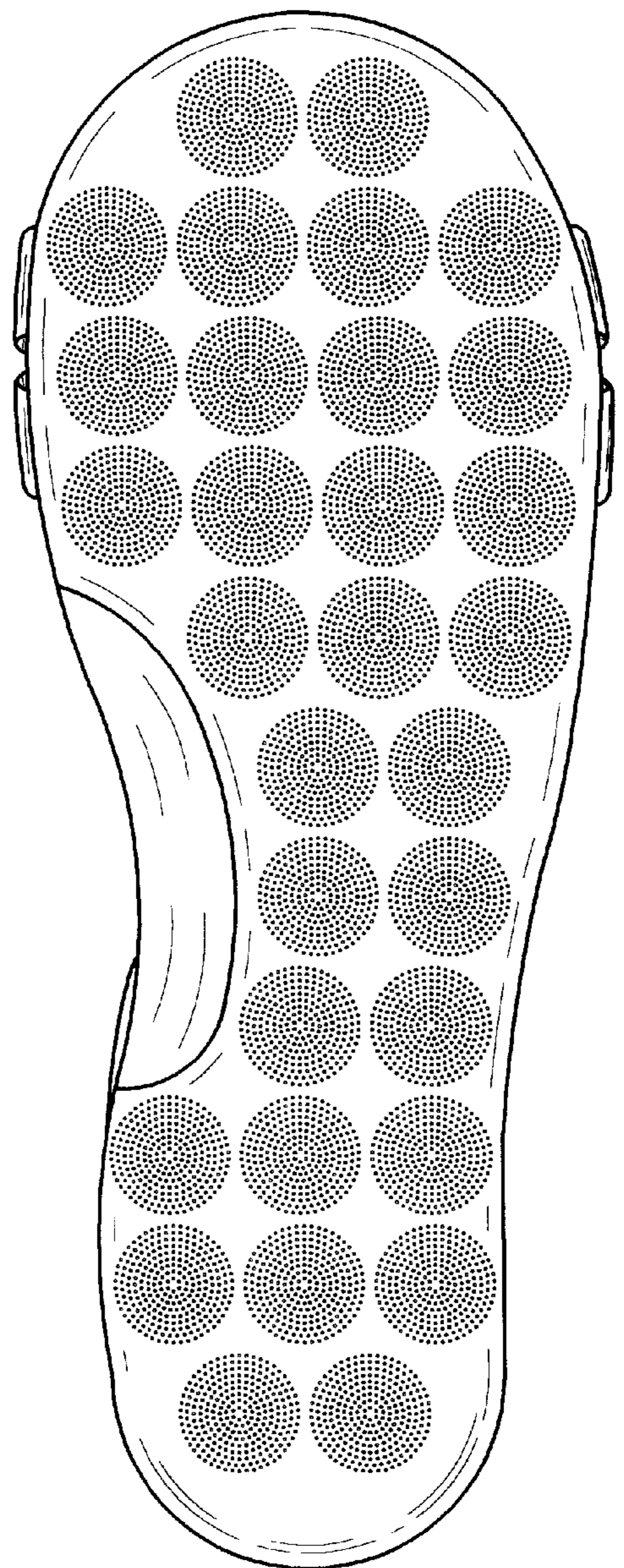


FIG. 1

FIG. 2



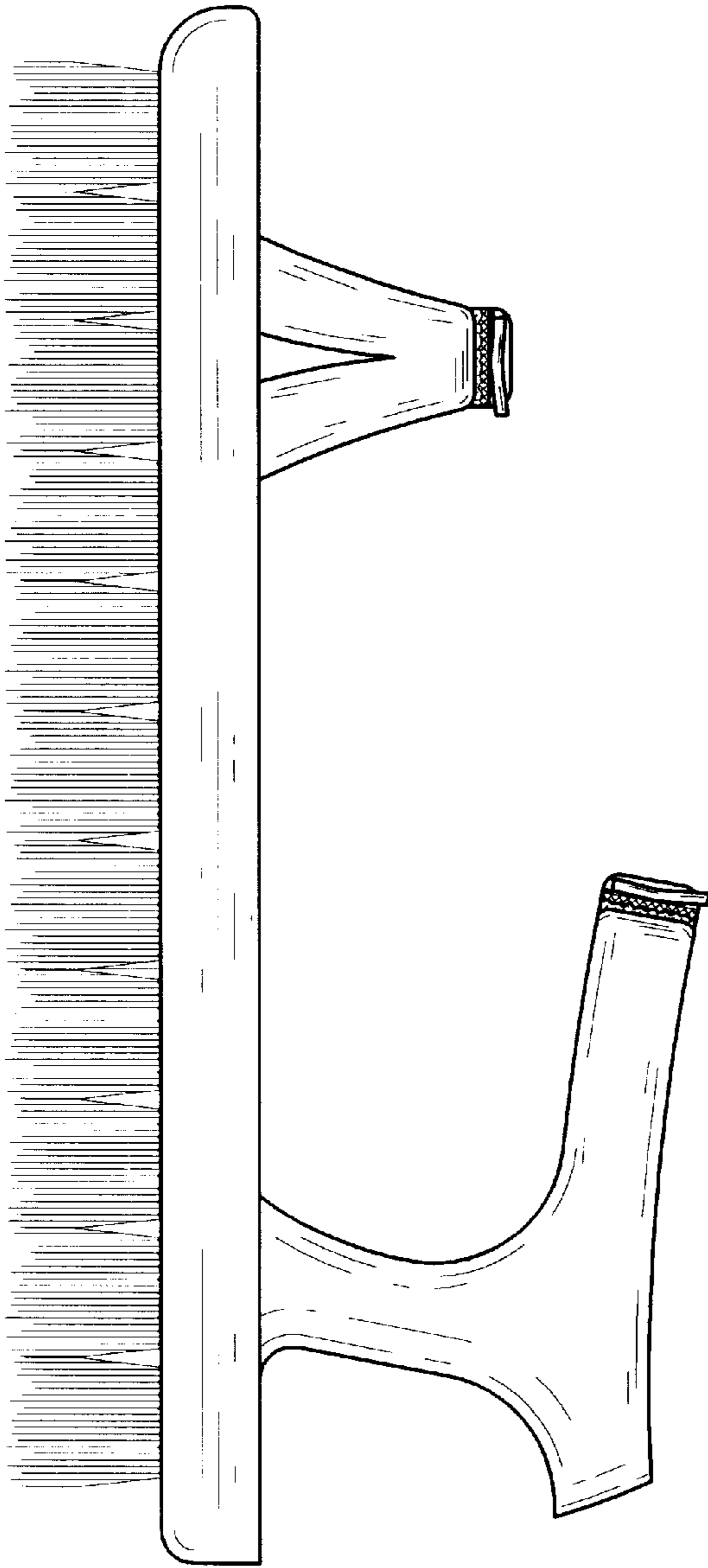


FIG. 3

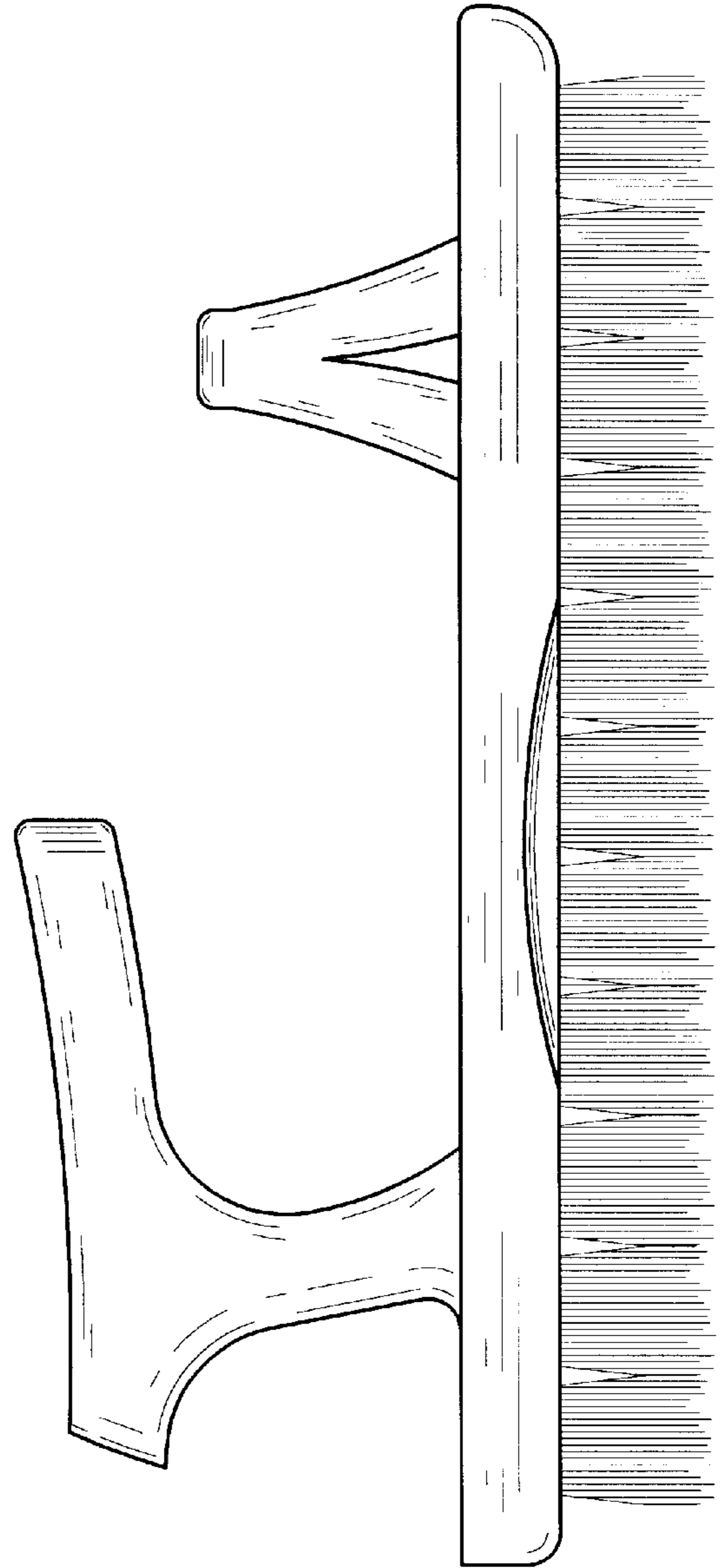


FIG. 4

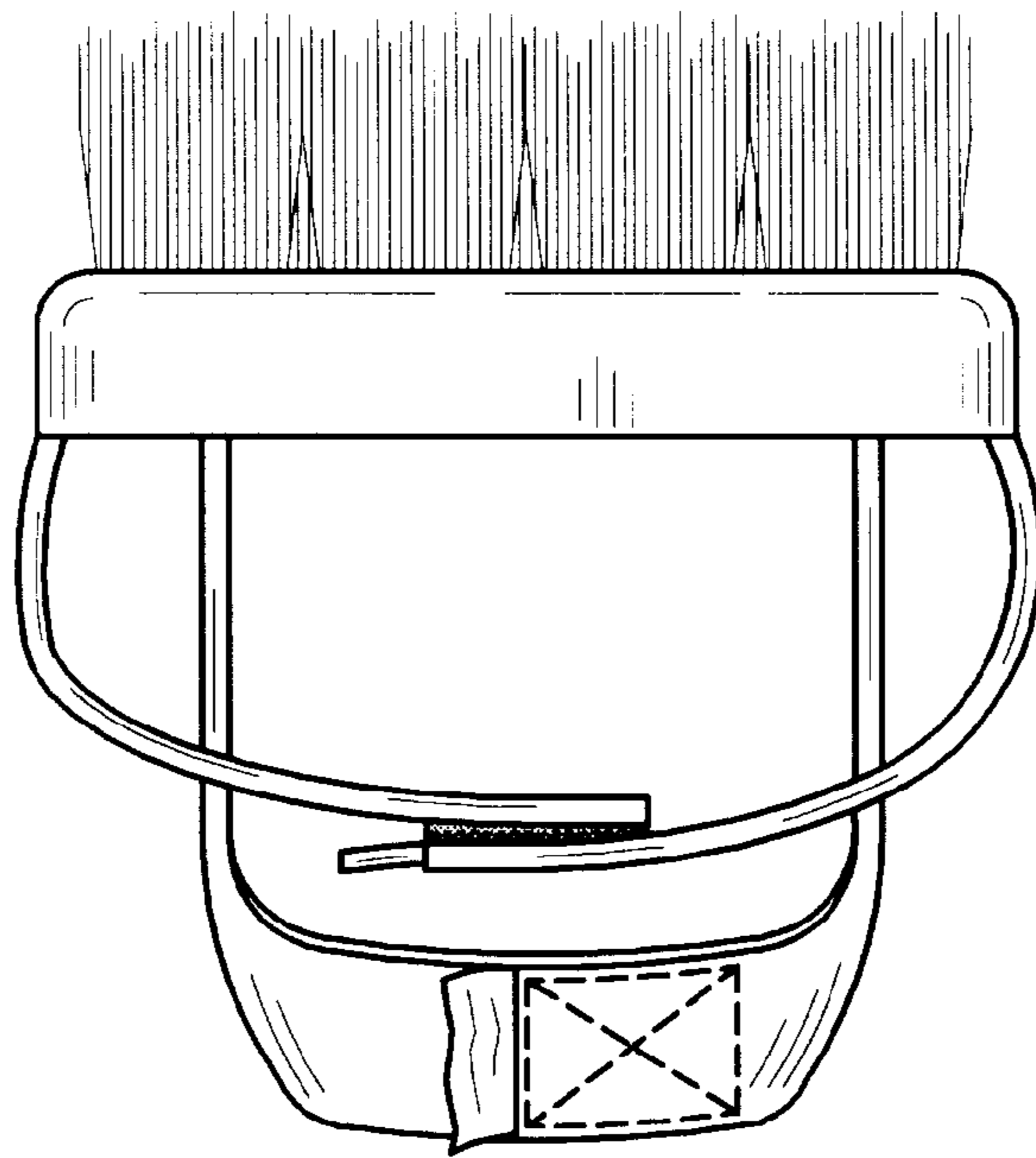


FIG. 5

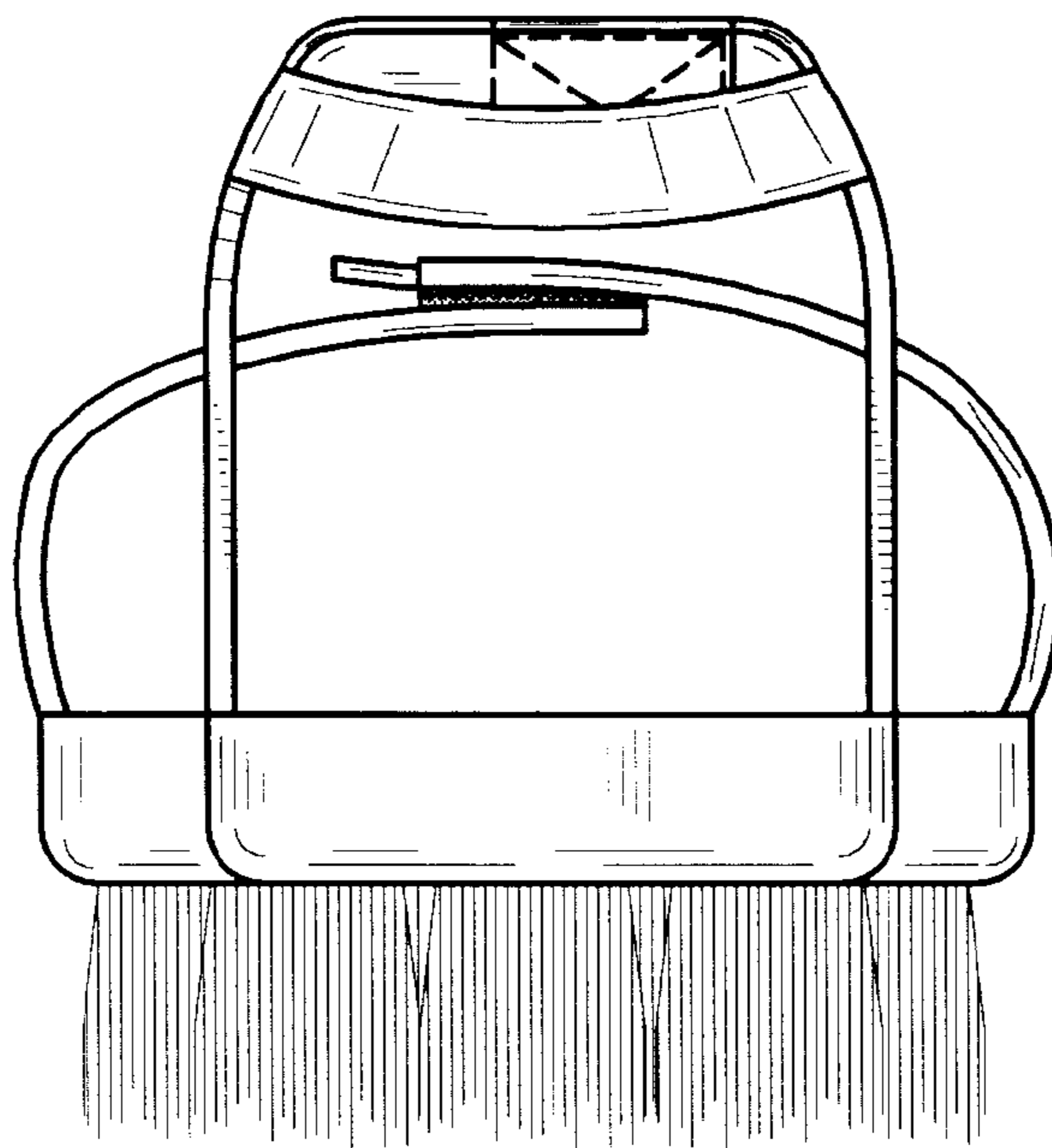


FIG. 6