



US00D411231S

United States Patent [19] Bigelow

[11] Patent Number: Des. 411,231

[45] Date of Patent: ** Jun. 22, 1999

[54] MAGAZINE BINDING DEVICE

[76] Inventor: Leon J. Bigelow, 1305 Emdn St.,
Wilmington, Calif. 90744

[**] Term: 14 Years

[21] Appl. No.: 29/077,073

[22] Filed: Sep. 26, 1997

[51] LOC (6) Cl. 19-04

[52] U.S. Cl. D19/32; D19/90; D19/86;
D19/91

[58] Field of Search D19/26, 27, 32,
D19/75, 78, 86, 90, 91, 99, 100; 281/43,
45, 51, 15.1; 40/359; 402/3, 4, 80 R, 503;
312/184; 211/45, 46

[56] **References Cited**

U.S. PATENT DOCUMENTS

D. 269,187	5/1983	Petersen	D19/32
D. 356,830	3/1995	Messier	D19/90
4,009,784	3/1977	Elias et al.	211/46
4,105,268	8/1978	Elias et al.	312/184
4,530,176	7/1985	Rejwan	40/359
4,587,151	5/1986	Balland	428/156
4,624,480	11/1986	Marthaler et al.	281/49
5,067,748	11/1991	Wernquest	281/48

5,104,167	4/1992	Nemeth	281/43 X
5,197,762	3/1993	Abramov	281/43
5,205,527	4/1993	Anderson	248/451
5,553,891	9/1996	Ong	281/43
5,722,692	3/1998	Aloramoy	211/46 X
5,758,780	6/1998	Baumgarten	211/46

Primary Examiner—Martie K. Holtje
Attorney, Agent, or Firm—Goldstein & Canino

[57] **CLAIM**

The ornamental design for a magazine binding device, as shown and described.

DESCRIPTION

FIG. 1 is a diagrammatic perspective view of the magazine binding device in full lines with a magazine shown in broken lines representing environmental association matter being for illustrative purposes only and forming no part of the claimed invention.

FIG. 2 is a front elevational view thereof;

FIG. 3 is a rear elevational view thereof;

FIG. 4 is a top plan view thereof;

FIG. 5 is a bottom plan view thereof; and,

FIG. 6 is a right side elevational view thereof, the left side view being a mirror image of the right side view.

1 Claim, 3 Drawing Sheets

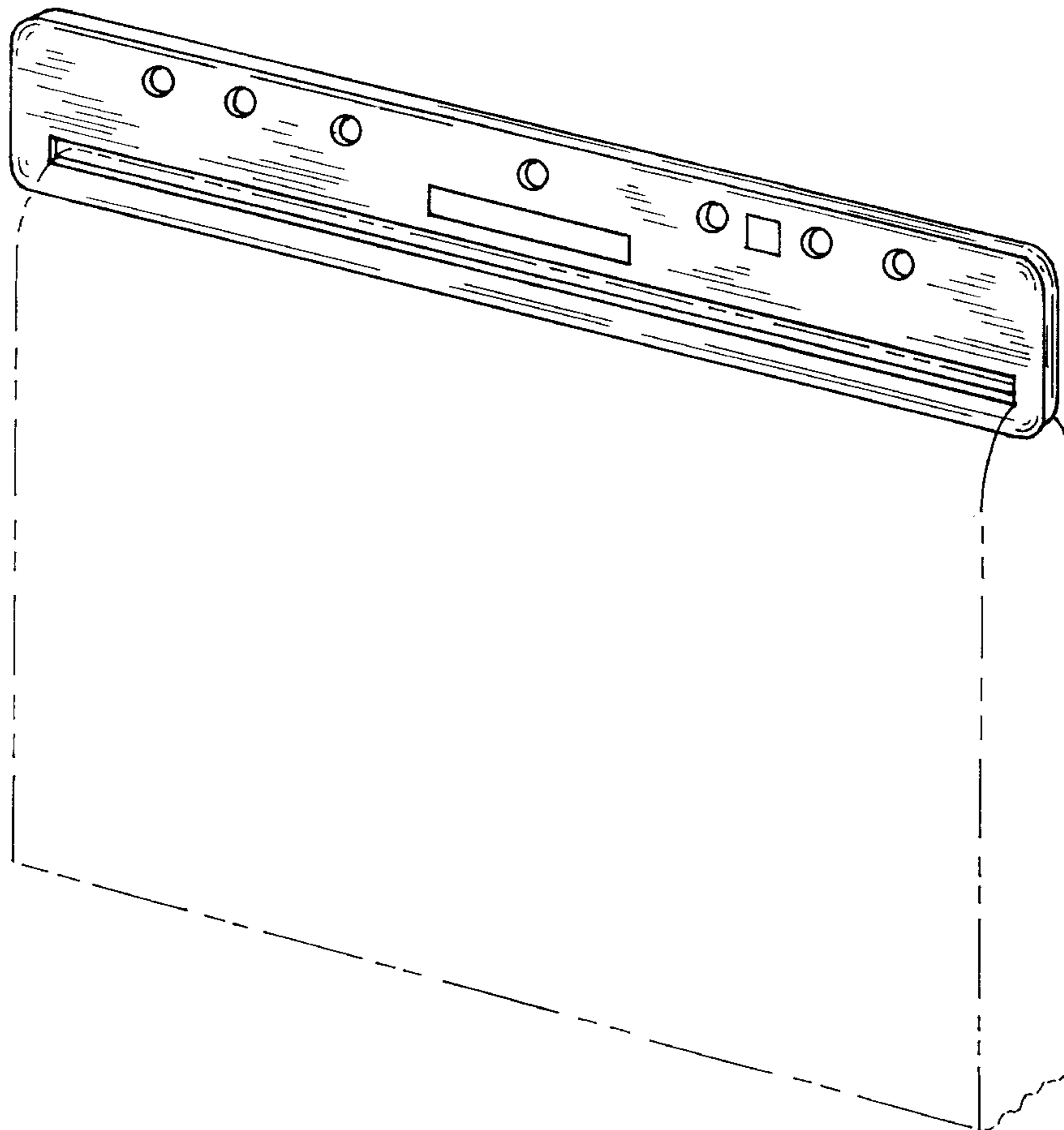


FIG. 1

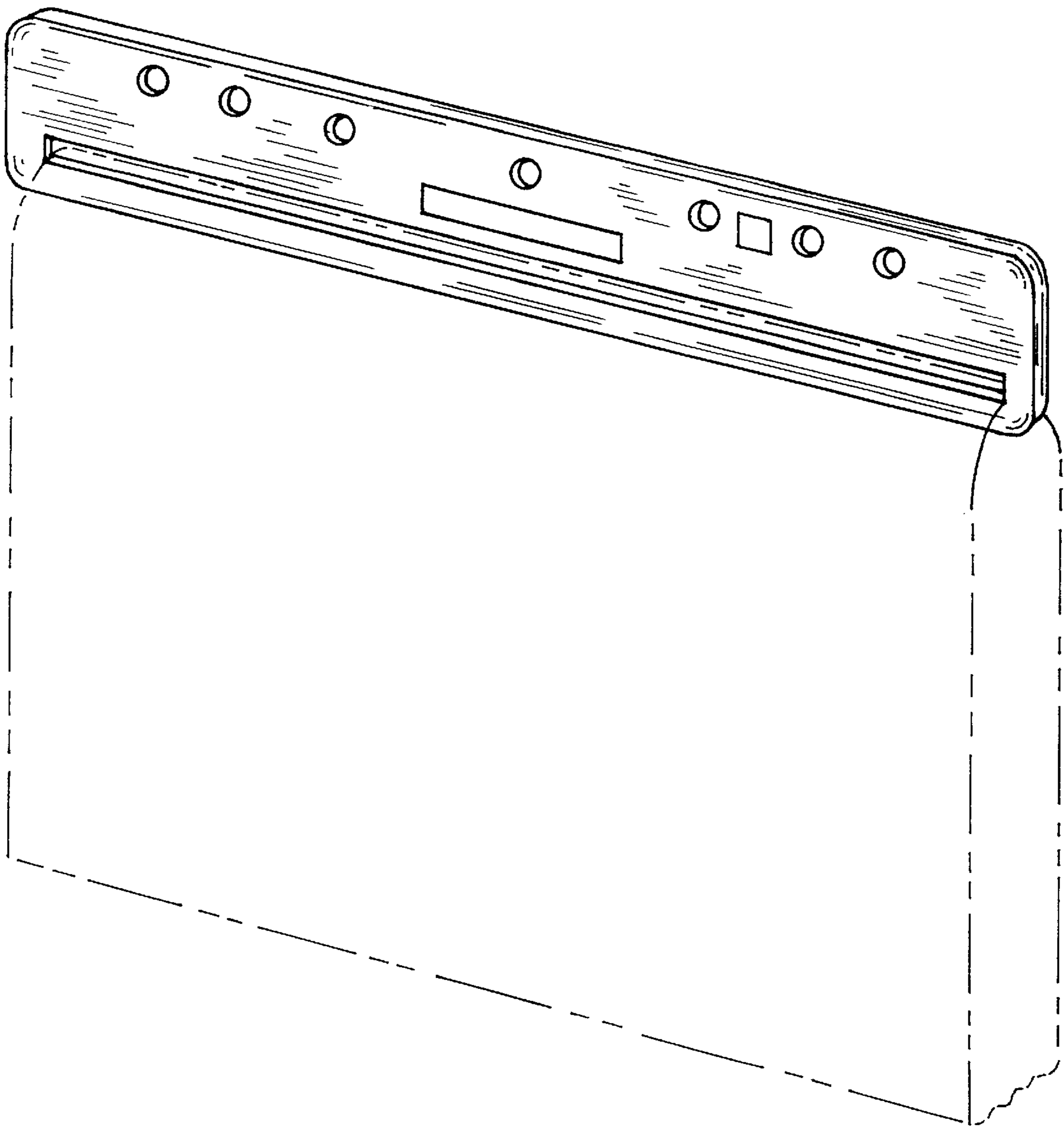


FIG. 2

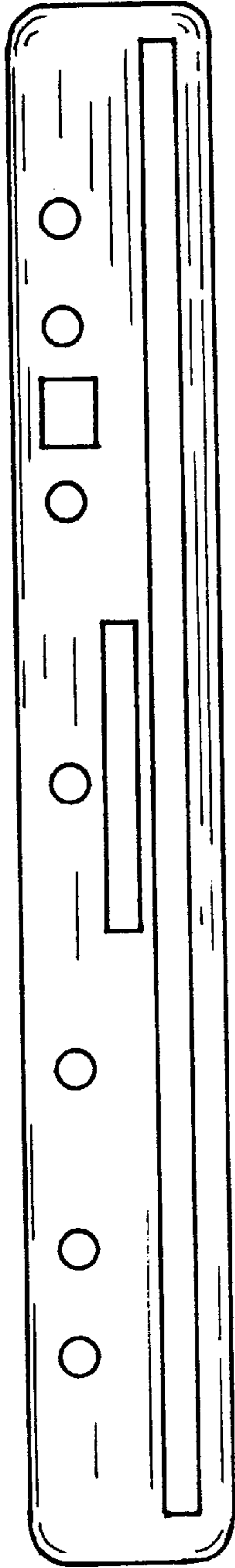


FIG. 3

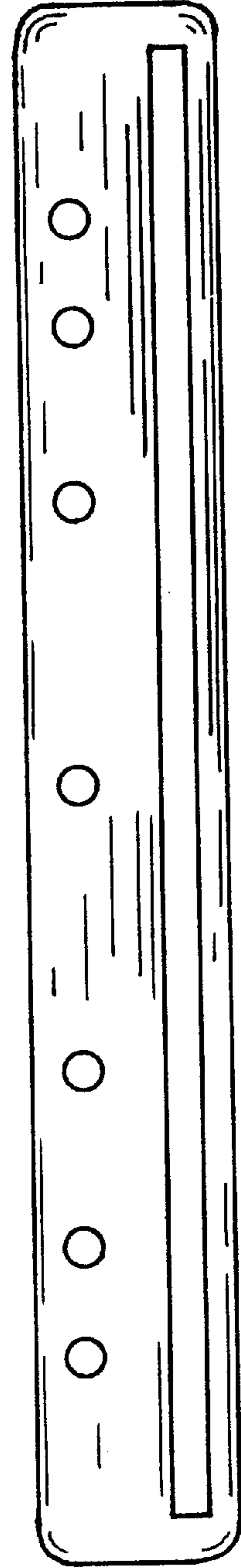


FIG. 4



FIG. 5



FIG. 6

