



US00D411228S

United States Patent [19]
Kobayashi et al.

[11] **Patent Number: Des. 411,228**
[45] **Date of Patent: ** Jun. 22, 1999**

[54] **INK JET PRINTER**

[75] Inventors: **Masahiko Kobayashi; Takashi Yoshida**, both of Suwa, Japan

[73] Assignee: **Seiko Epson Corporation**, Tokyo, Japan

[**] Term: **14 Years**

[21] Appl. No.: **29/083,116**

[22] Filed: **Feb. 4, 1998**

[30] **Foreign Application Priority Data**

Aug. 8, 1997 [JP] Japan 9-64429

[51] **LOC (6) Cl.** **14-02**

[52] **U.S. Cl.** **D18/50**

[58] **Field of Search** D18/50, 54-55, D18/4, 12, 14; D14/118, 141, 100, 114, 105, 116; 400/691-694, 613, 613.1-613.4, 690.1-690.4

[56] **References Cited**

U.S. PATENT DOCUMENTS

- D. 340,944 11/1993 Ishizawa D18/50
- D. 352,731 11/1994 Sugimoto D18/50

- D. 356,818 3/1995 Sekine et al. D18/55
- D. 369,180 4/1996 Fukaya et al. D18/50
- D. 370,025 5/1996 Weng D18/50
- D. 373,596 9/1996 Sekine et al. D18/55
- D. 376,814 12/1996 Asai et al. D18/50
- D. 378,378 3/1997 Nakazawa et al. D18/54
- D. 382,583 8/1997 Takahashi et al. D18/55
- D. 390,258 2/1998 Kawahara et al. D18/55
- D. 393,870 4/1998 Kobayashi et al. D18/55
- D. 400,918 11/1998 Kobayashi et al. D18/55

Primary Examiner—Cathy Anne MacCormac
Attorney, Agent, or Firm—Stroock & Stroock & Lavan LLP

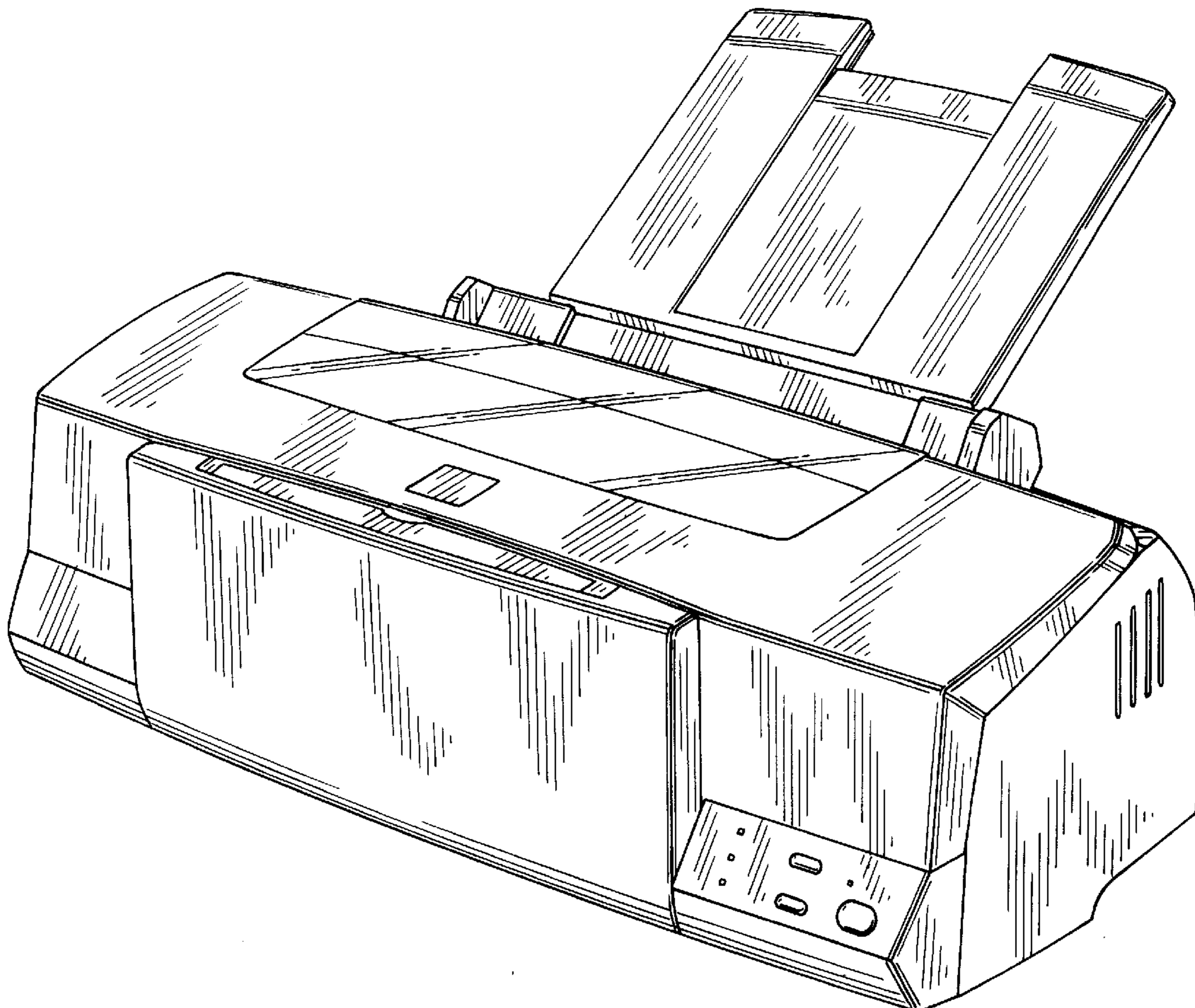
[57] **CLAIM**

The ornamental design for an ink jet printer, as shown and described.

DESCRIPTION

FIG. 1 is a perspective view of the top, front and right side of an ink jet printer showing our new design; FIG. 2 is a top plan view thereof; FIG. 3 is a front elevational view thereof; FIG. 4 is a right side elevational view thereof; FIG. 5 is a left side elevational view thereof; FIG. 6 is a rear elevational view thereof; and, FIG. 7 is a bottom plan view thereof.

1 Claim, 4 Drawing Sheets



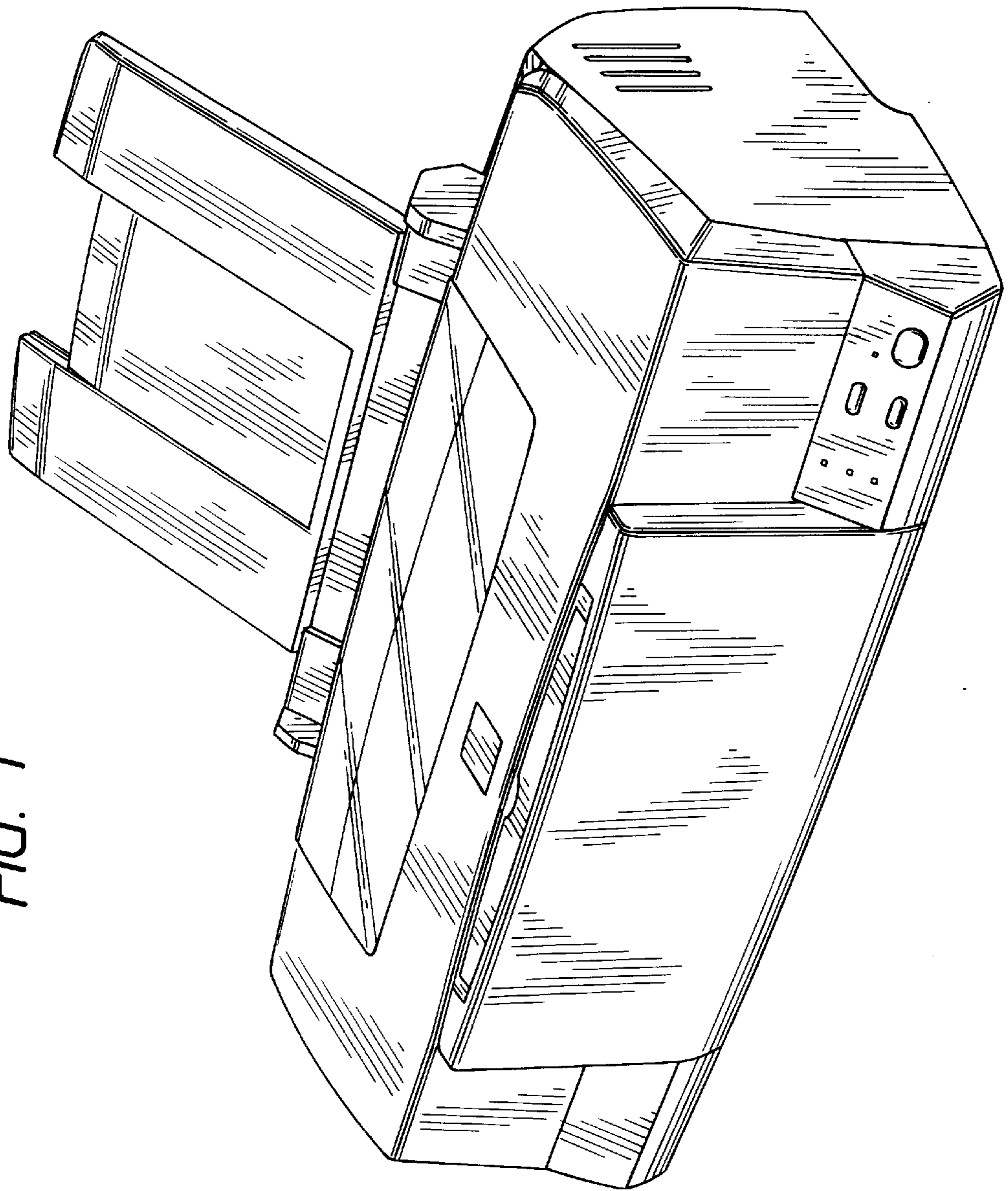


FIG. 1

FIG. 2

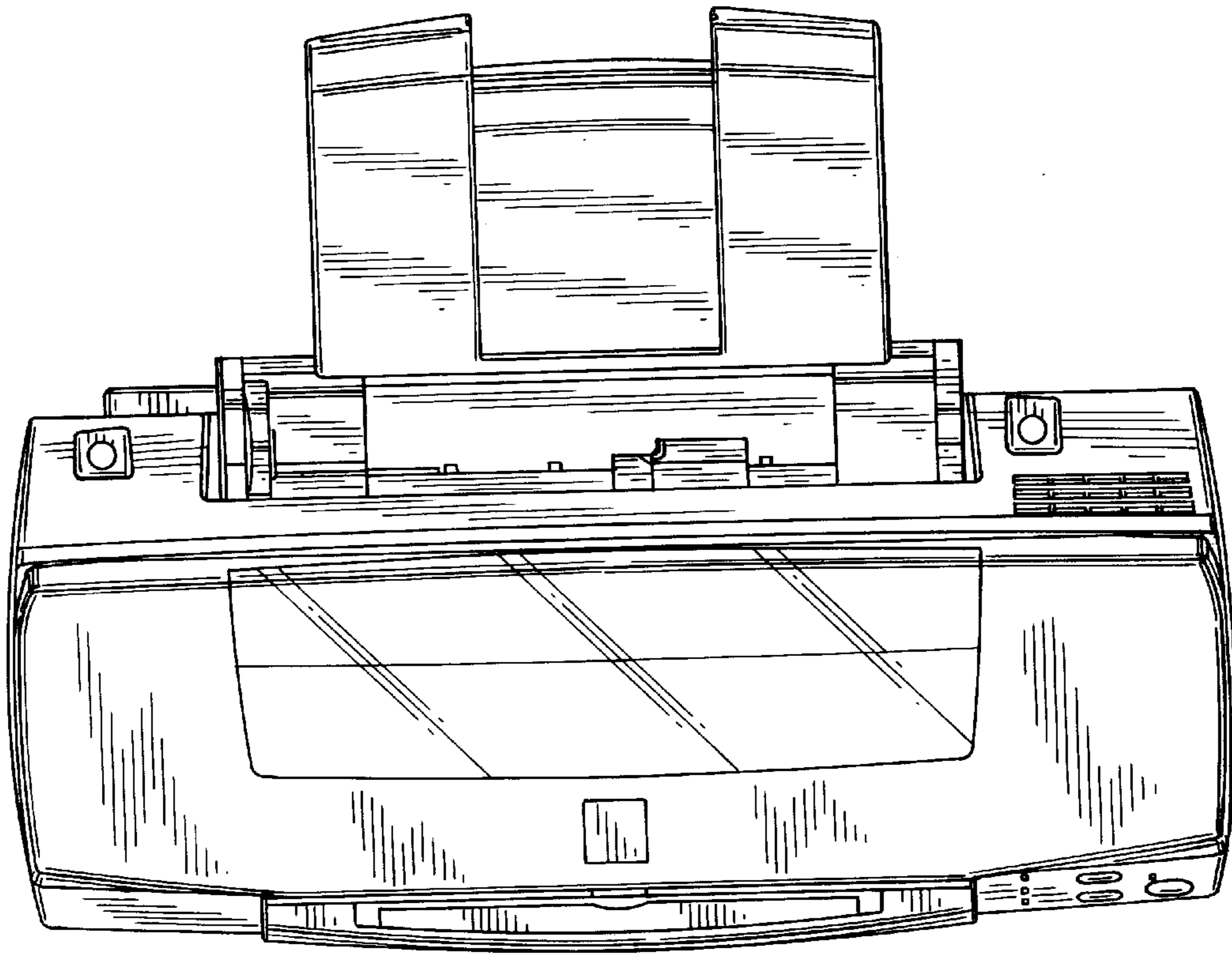


FIG. 3

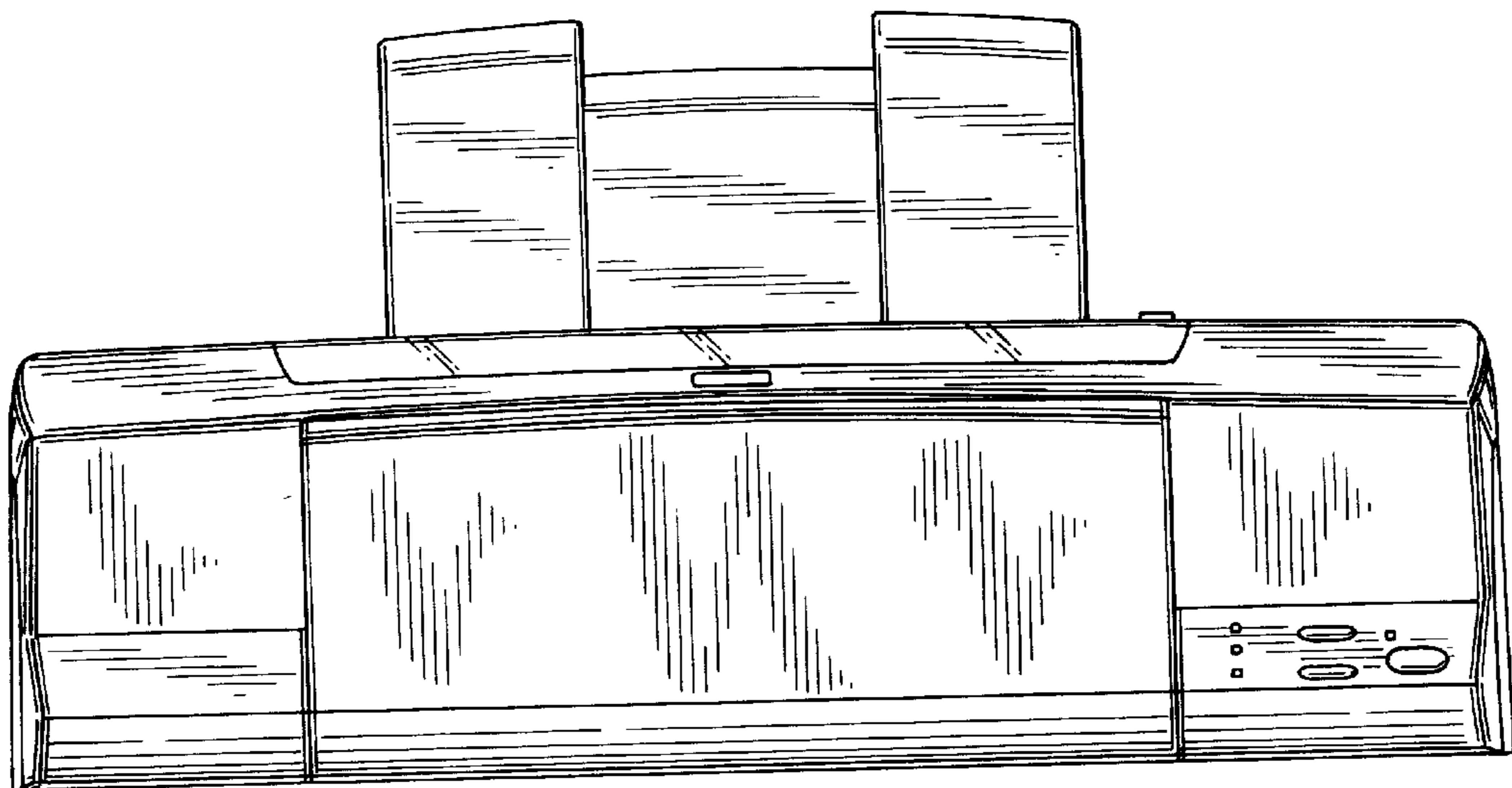


FIG. 4

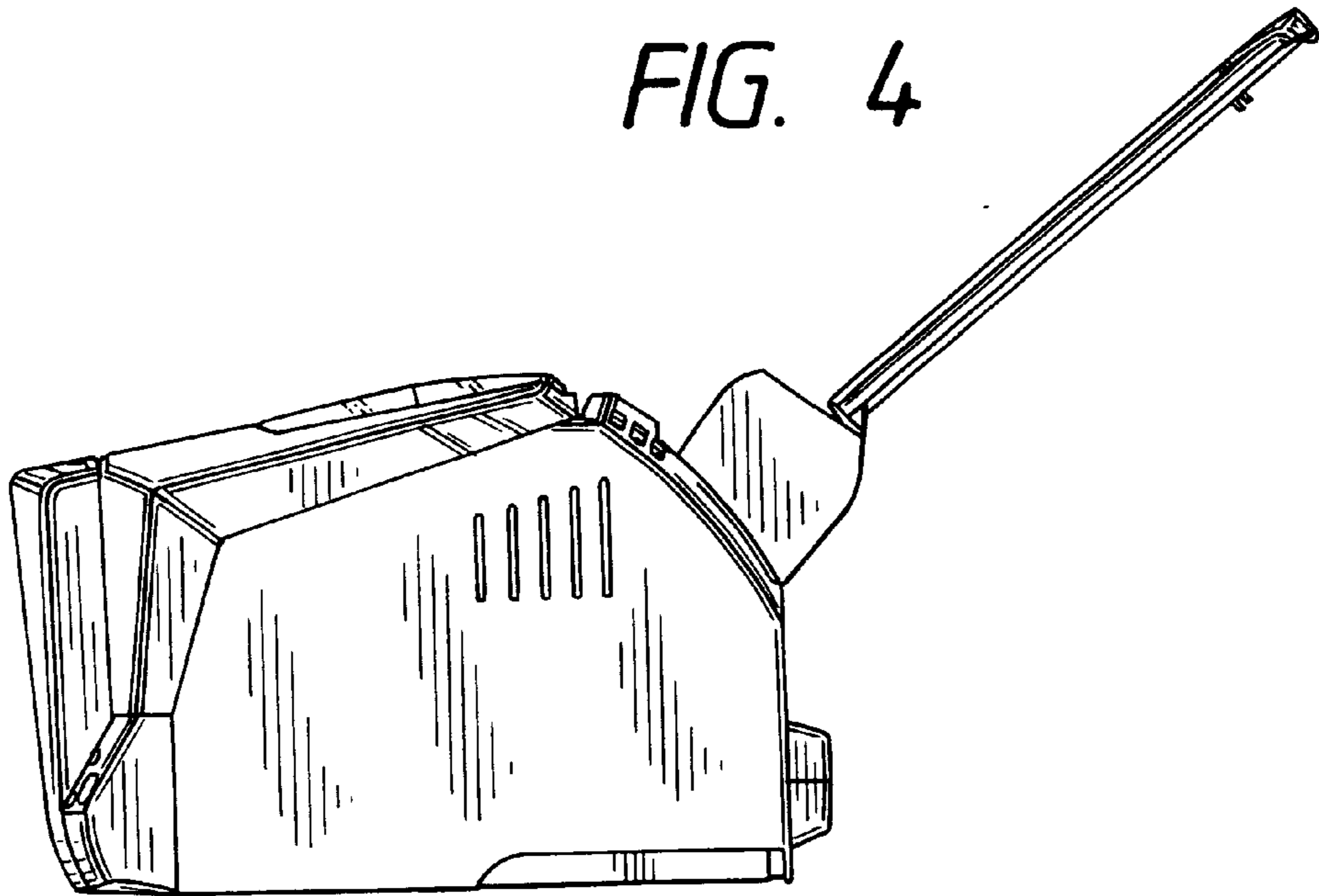


FIG. 5

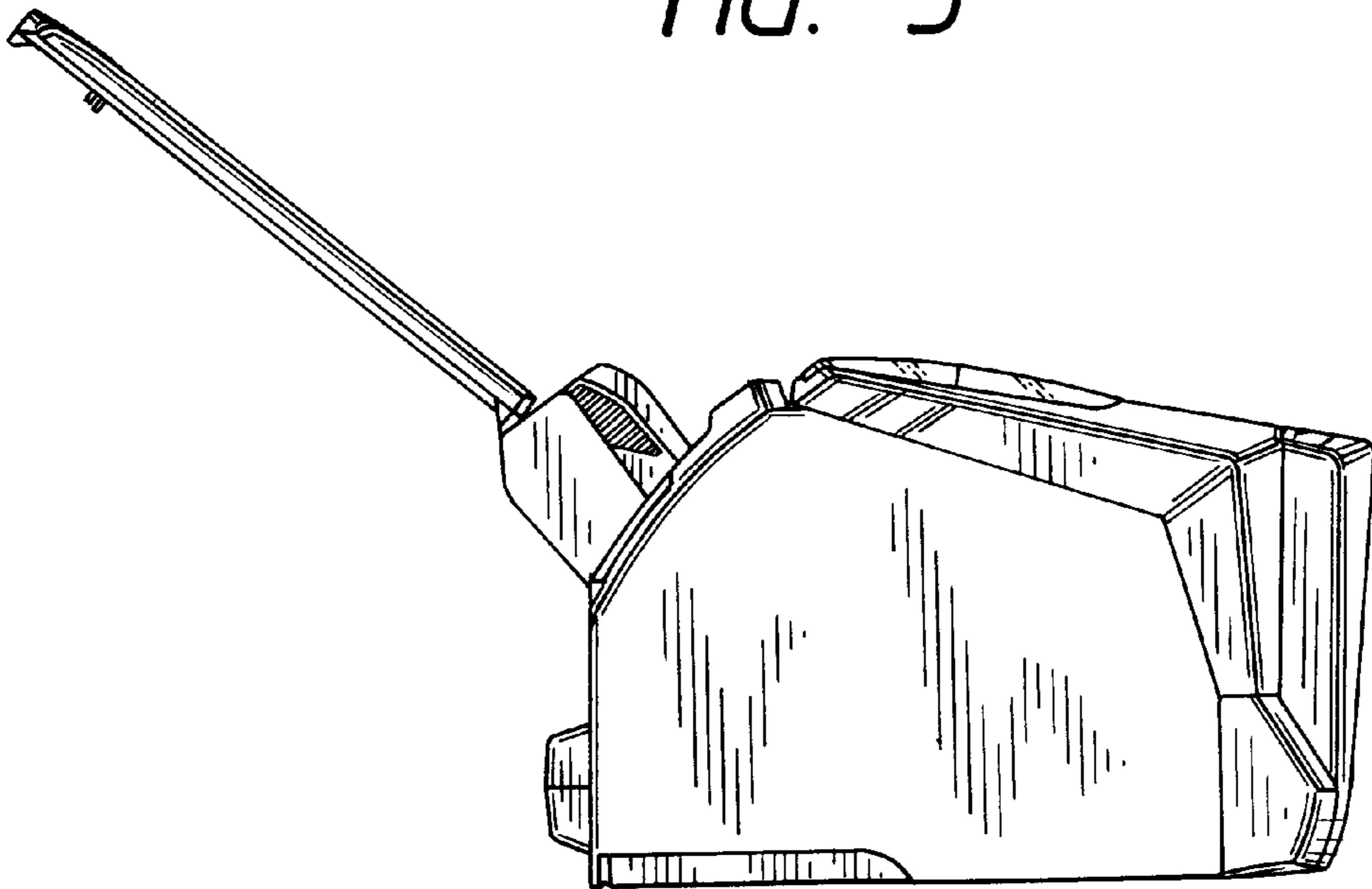


FIG. 6

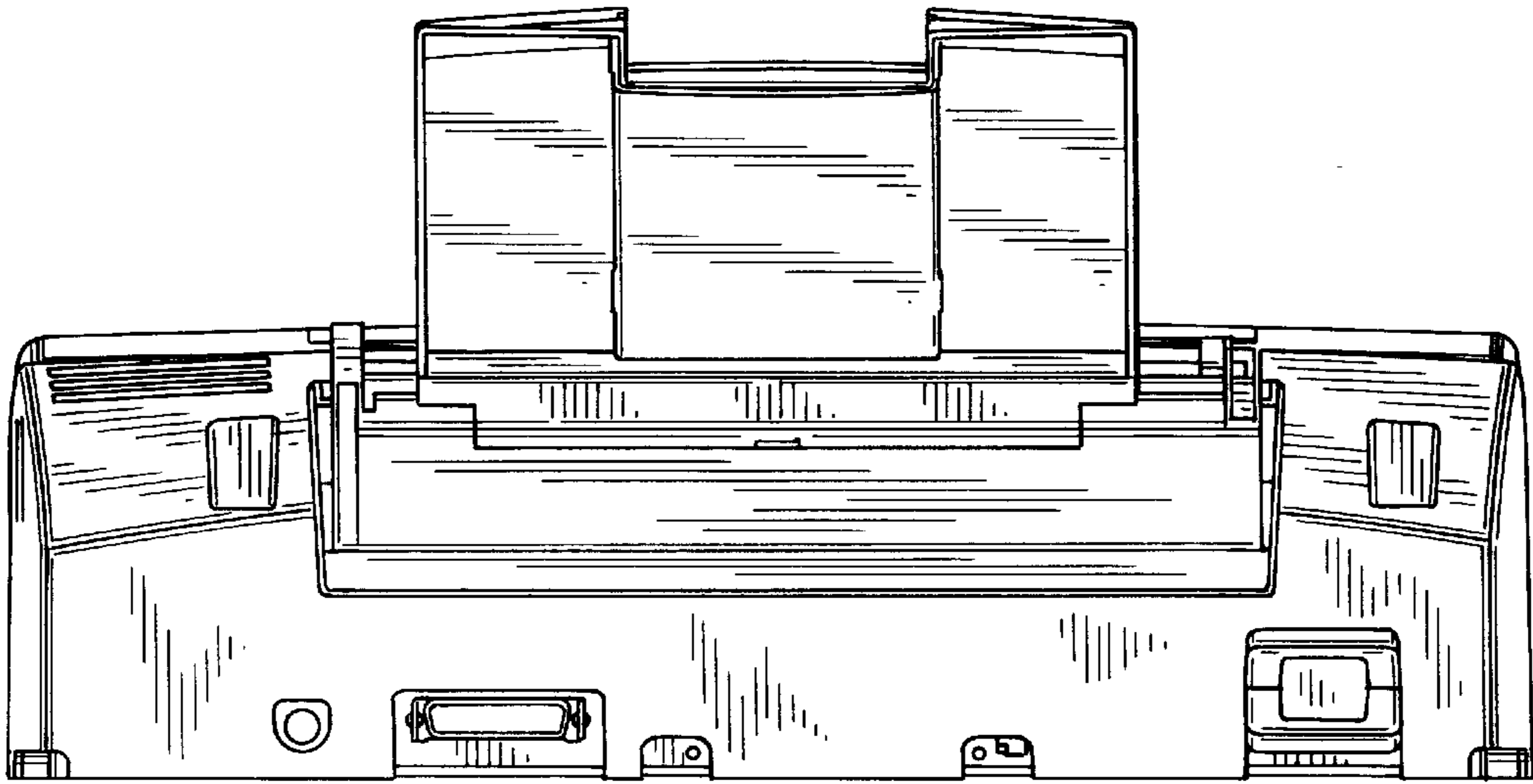


FIG. 7

