



US00D411226S

United States Patent [19] Moore

[11] **Patent Number: Des. 411,226**

[45] **Date of Patent: ** Jun. 22, 1999**

[54] **TYPE FONT**

[75] Inventor: **Peter Moore**, Portland, Oreg.

[73] Assignee: **University of Pittsburgh of the Commonwealth System of Higher Education**, Pittsburgh, Pa.

[**] Term: **14 Years**

[21] Appl. No.: **29/090,730**

[22] Filed: **Jul. 15, 1998**

[51] **LOC (6) Cl. 18-03**

[52] **U.S. Cl. D18/30; D18/32**

[58] **Field of Search D18/24-33, 99**

[56] **References Cited**

U.S. PATENT DOCUMENTS

D. 12,636	12/1881	Ihlenburg	D18/30
D. 12,637	12/1881	Ihlenburg	D18/30
D. 37,716	12/1905	Blanck	D18/30
D. 163,908	7/1951	Spanganberg	D18/30
D. 335,137	4/1993	Stahl	D18/26
D. 336,103	6/1993	Stahl	D18/28
D. 378,684	4/1997	Duppins	D18/26

OTHER PUBLICATIONS

Special Effects and Topical Alphabets, by Solo, p. 18, Comic Book; p. 34 Flamo, Dec. 1978.

Precision Type Font Reference Guide. by Level et al. p. 329, Rosewood, bottom of page, Dec. 1995.

Primary Examiner—Louis S. Zarfes

Assistant Examiner—G. Andoll

Attorney, Agent, or Firm—Arnold B. Silverman; Eckert Seamans Cherin & Mellott, LLC

[57] **CLAIM**

The ornamental design for type font, as shown and described.

DESCRIPTION

FIG. 1 is a face view of a type font showing my new design, showing the number 0;

FIG. 2 is a face view thereof, showing the number 1;

FIG. 3 is a face view thereof, showing the number 2;

FIG. 4 is a face view thereof, showing the number 3;

FIG. 5 is a face view thereof, showing the number 4;

FIG. 6 is a face view thereof, showing the number 5;

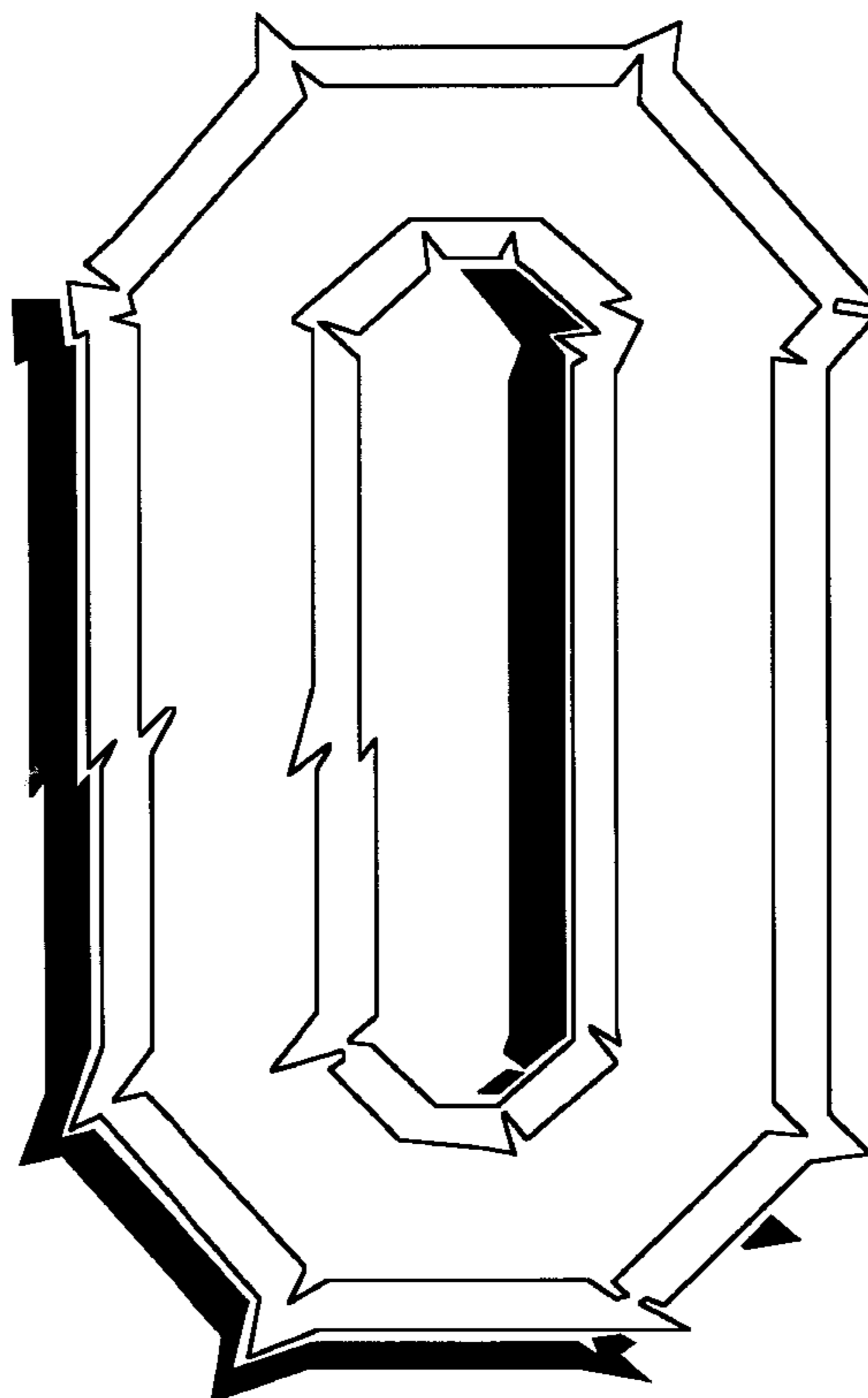
FIG. 7 is a face view thereof, showing the number 6;

FIG. 8 is a face view thereof, showing the number 7;

FIG. 9 is a face view thereof, showing the number 8; and,

FIG. 10 is a face view thereof, showing the number 9.

1 Claim, 5 Drawing Sheets



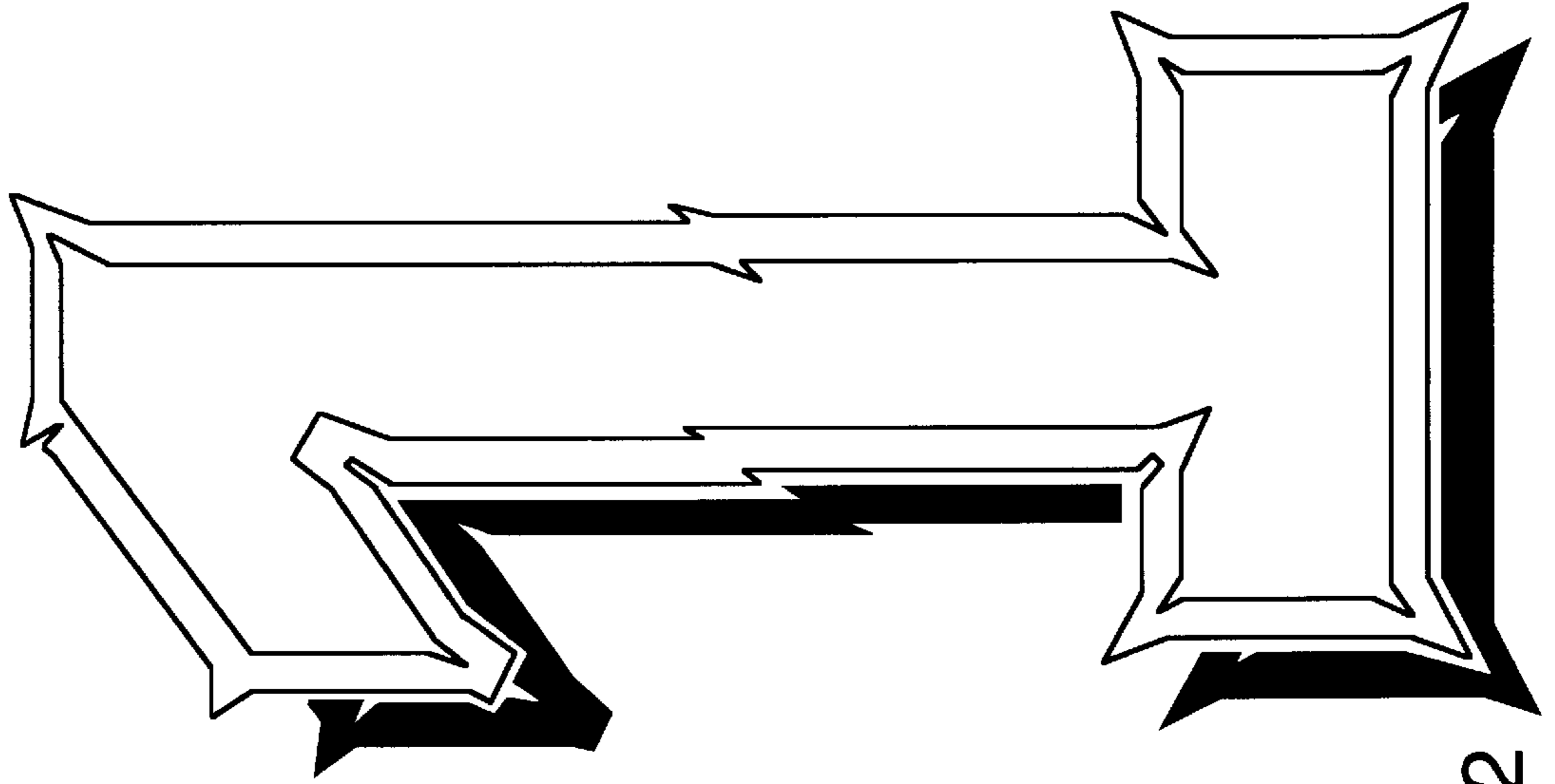


FIG. 2

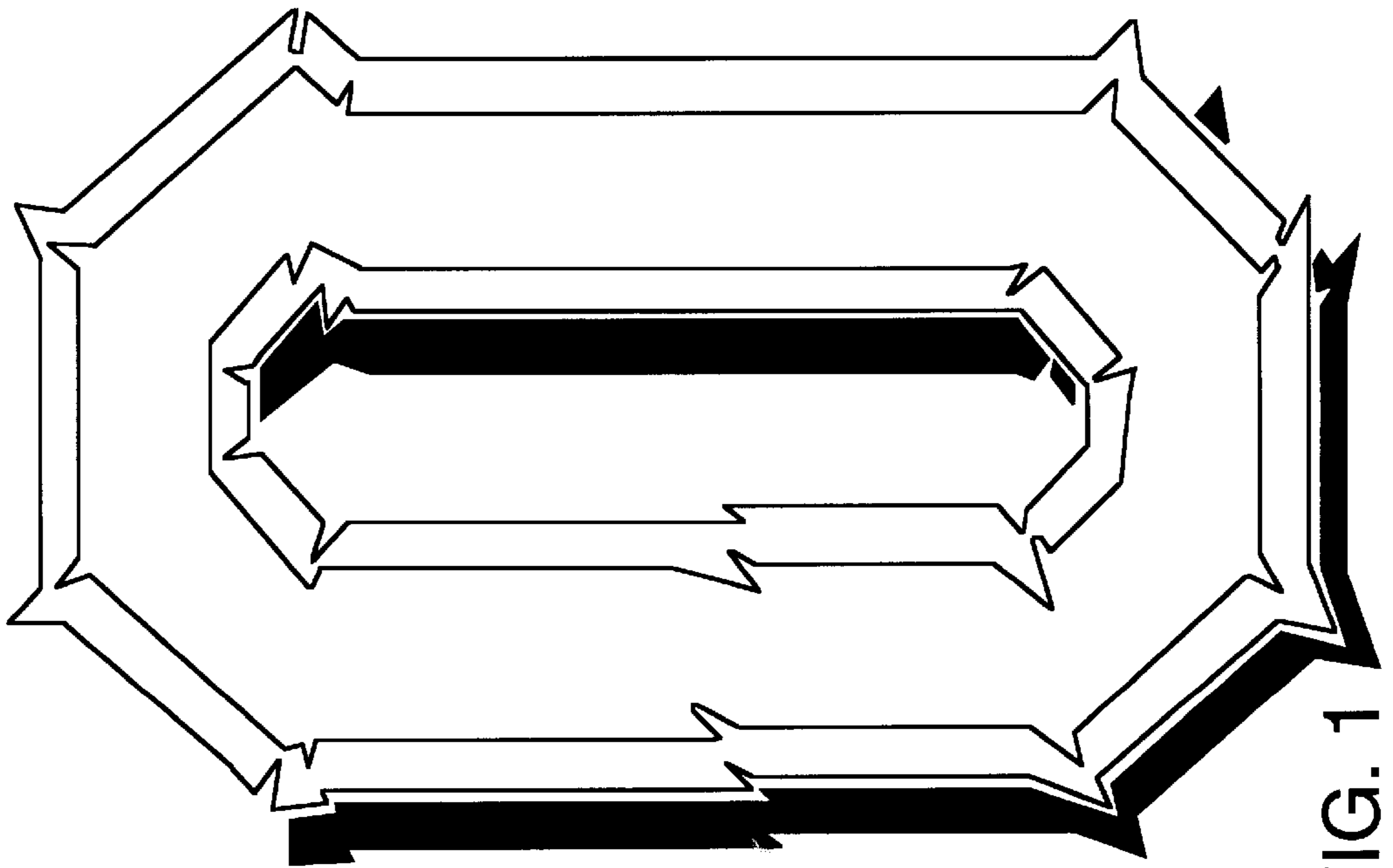


FIG. 1

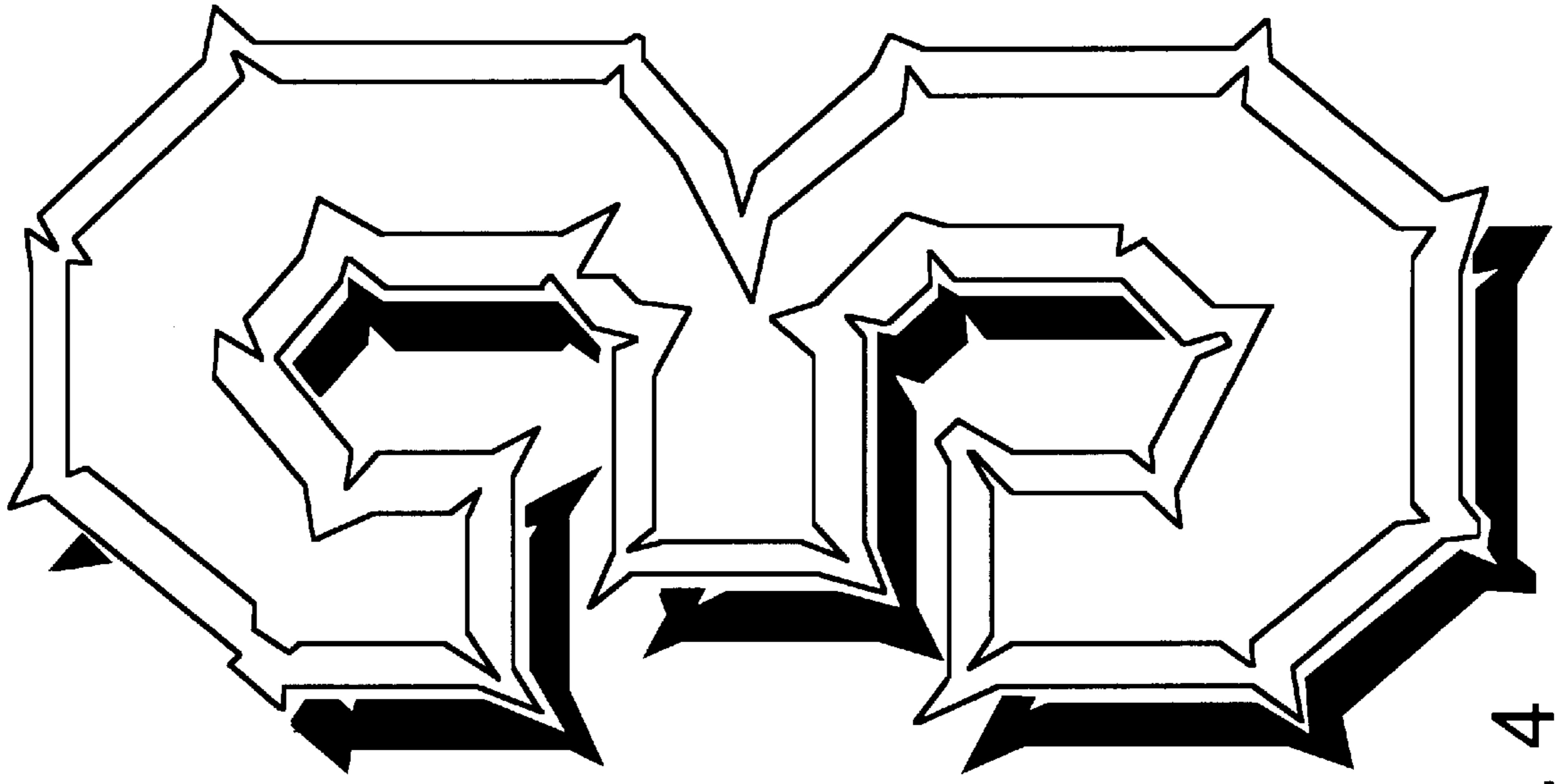


FIG. 4

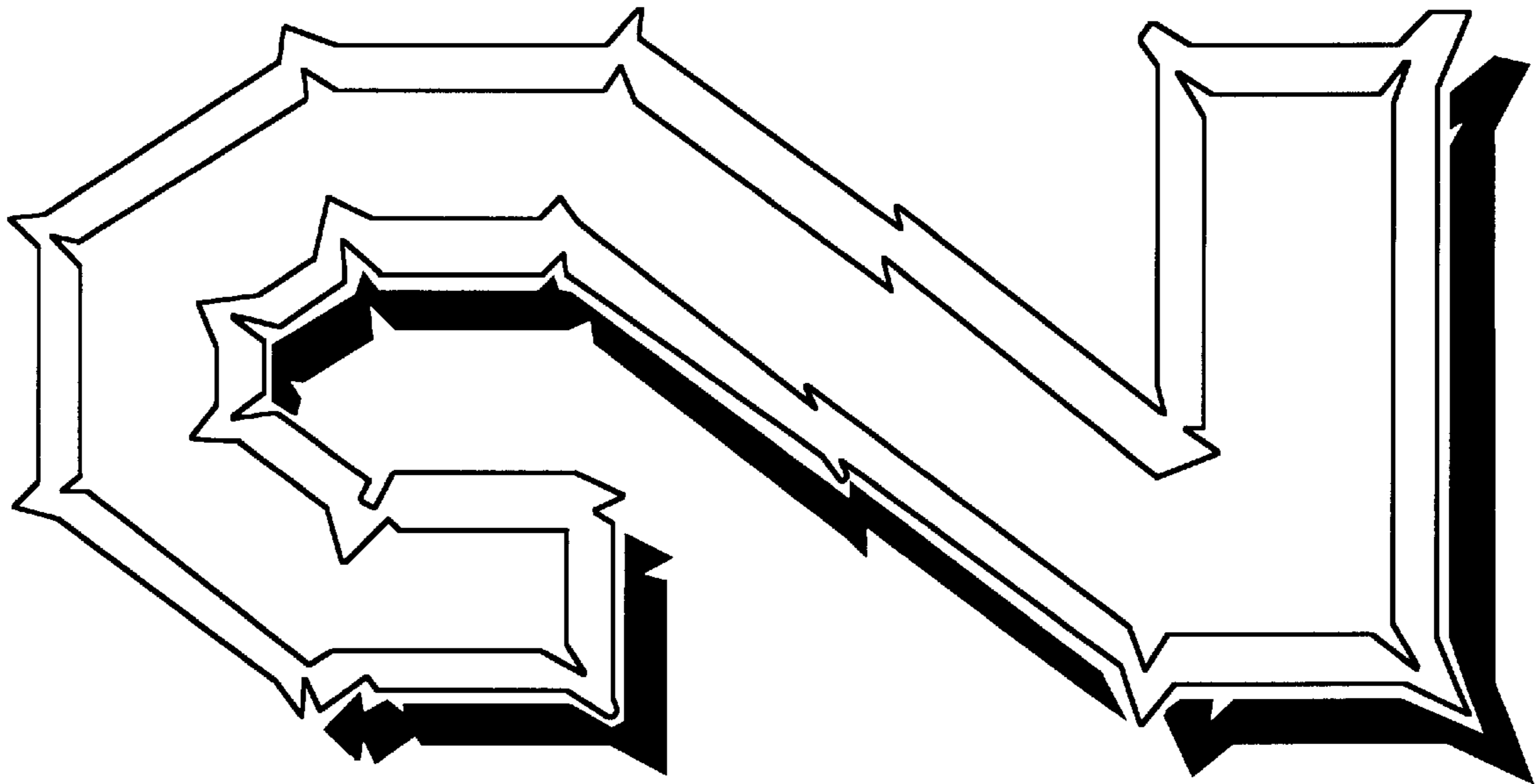


FIG. 3

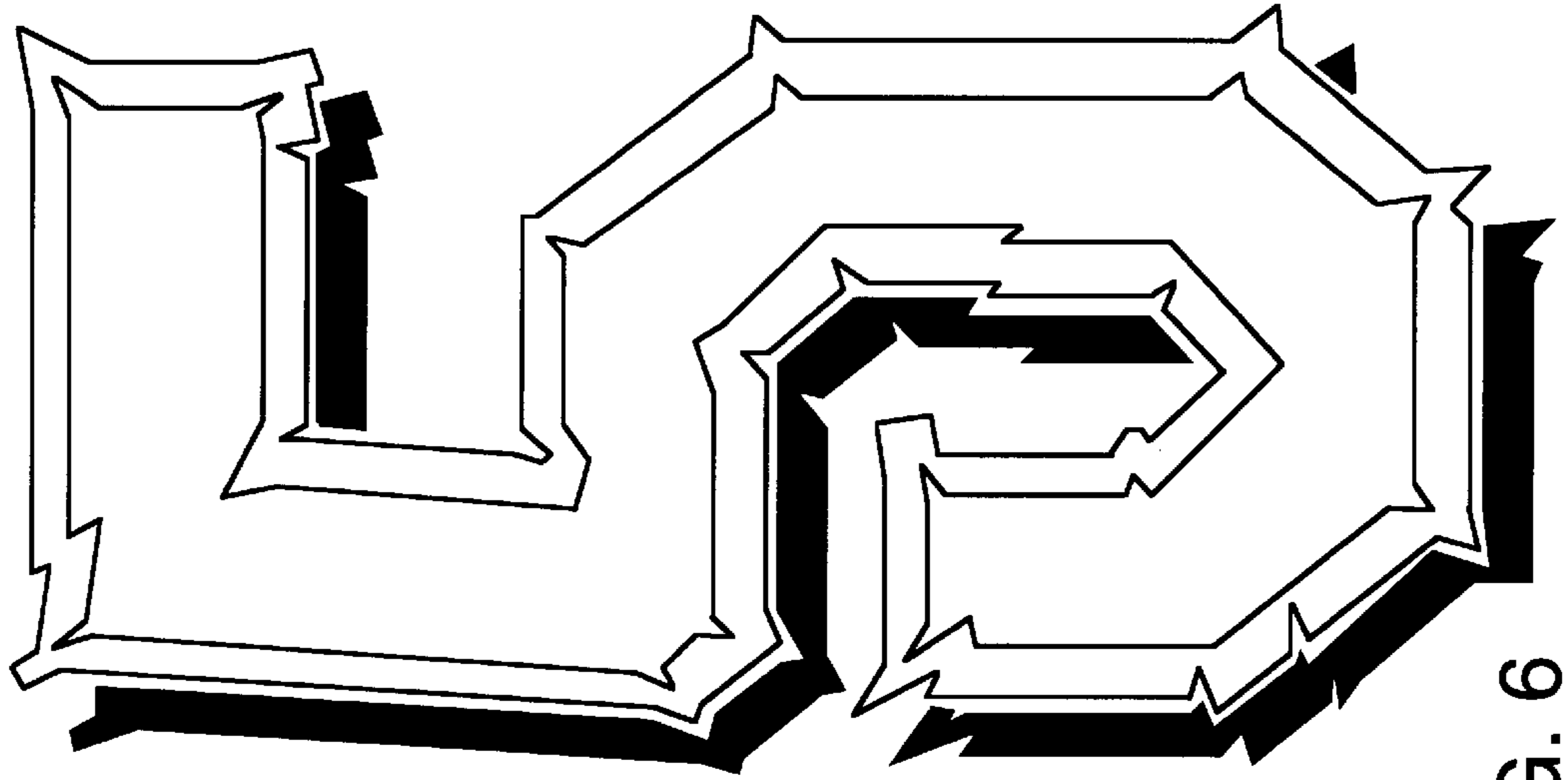


FIG. 6

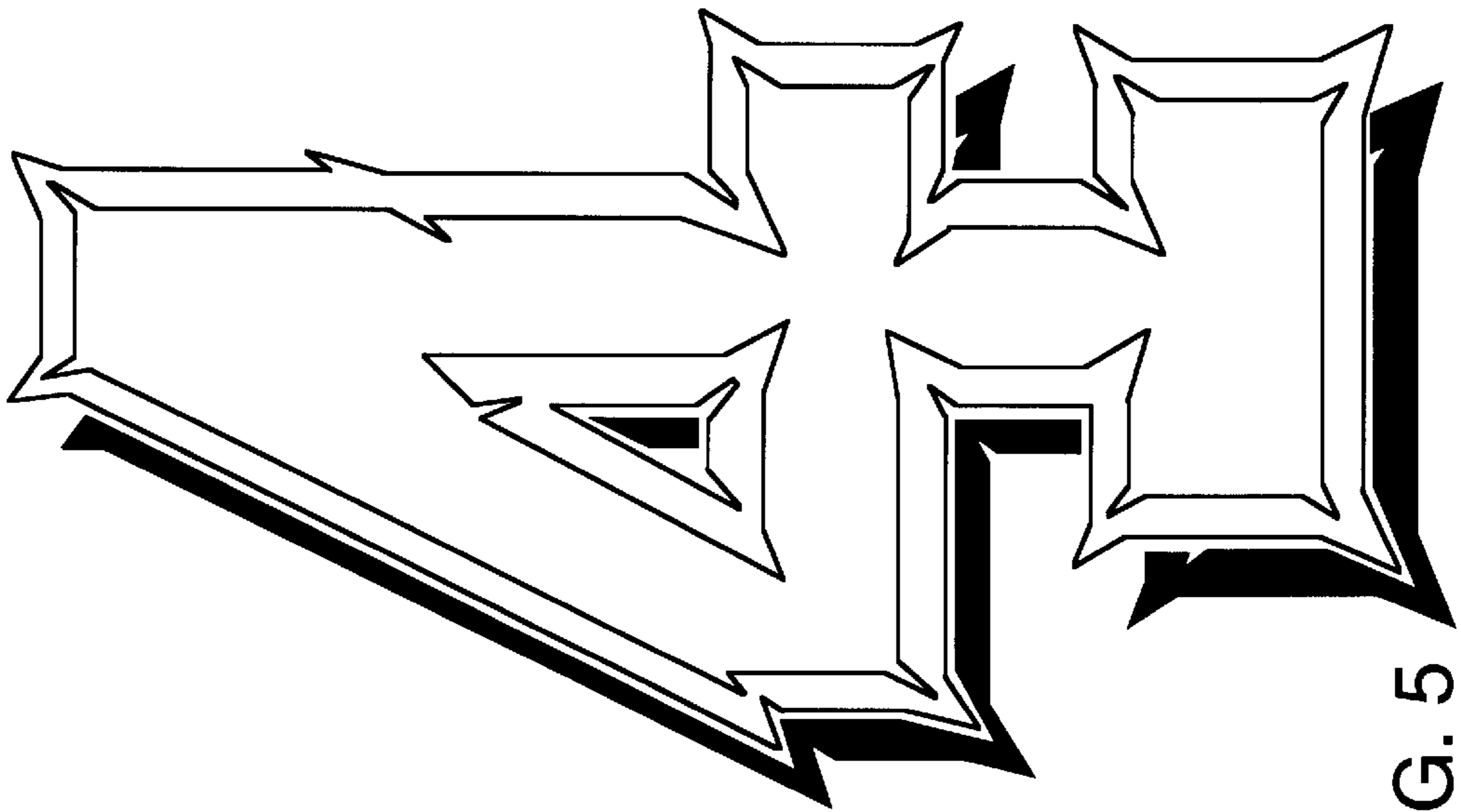


FIG. 5

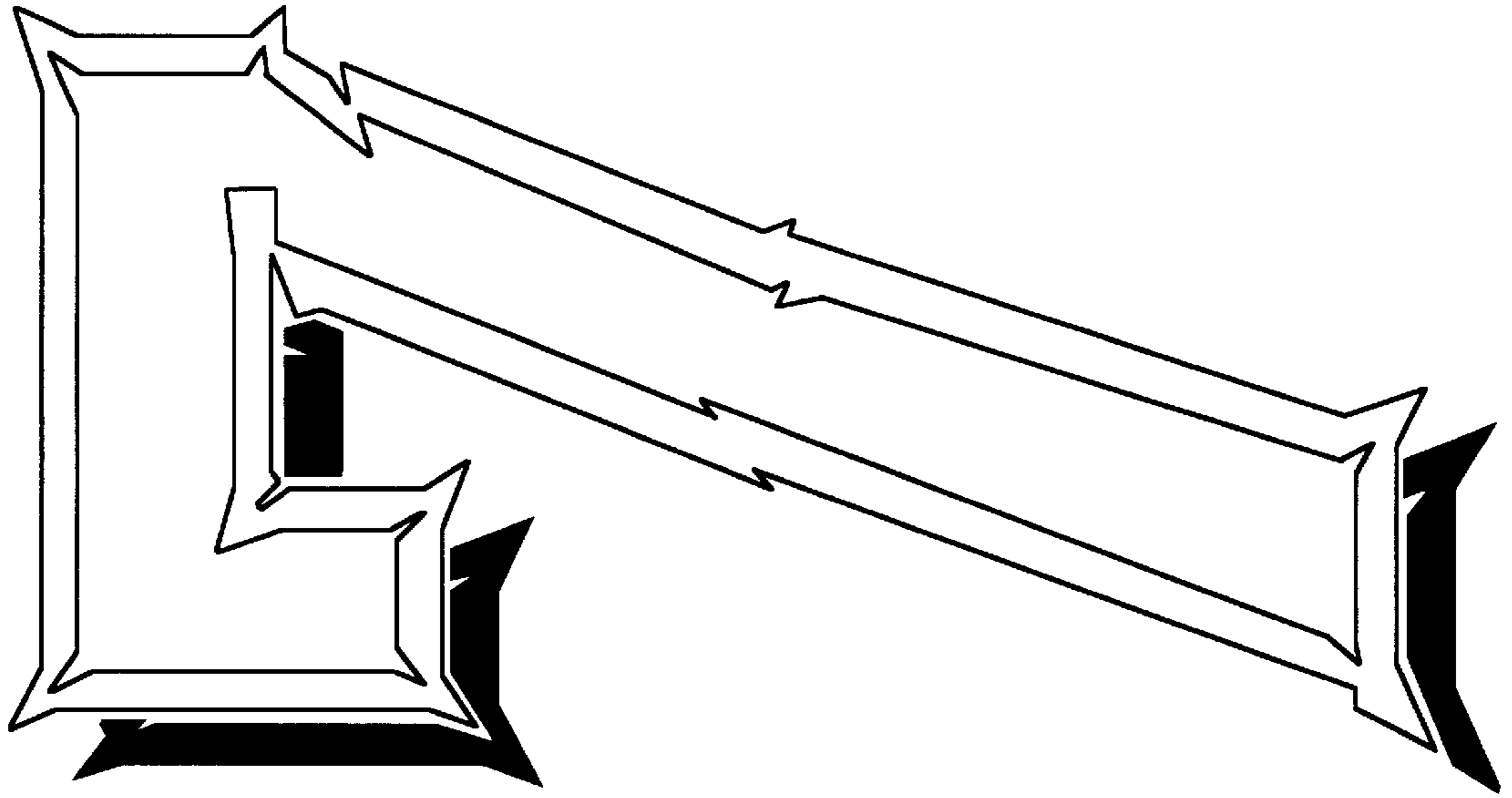


FIG. 8

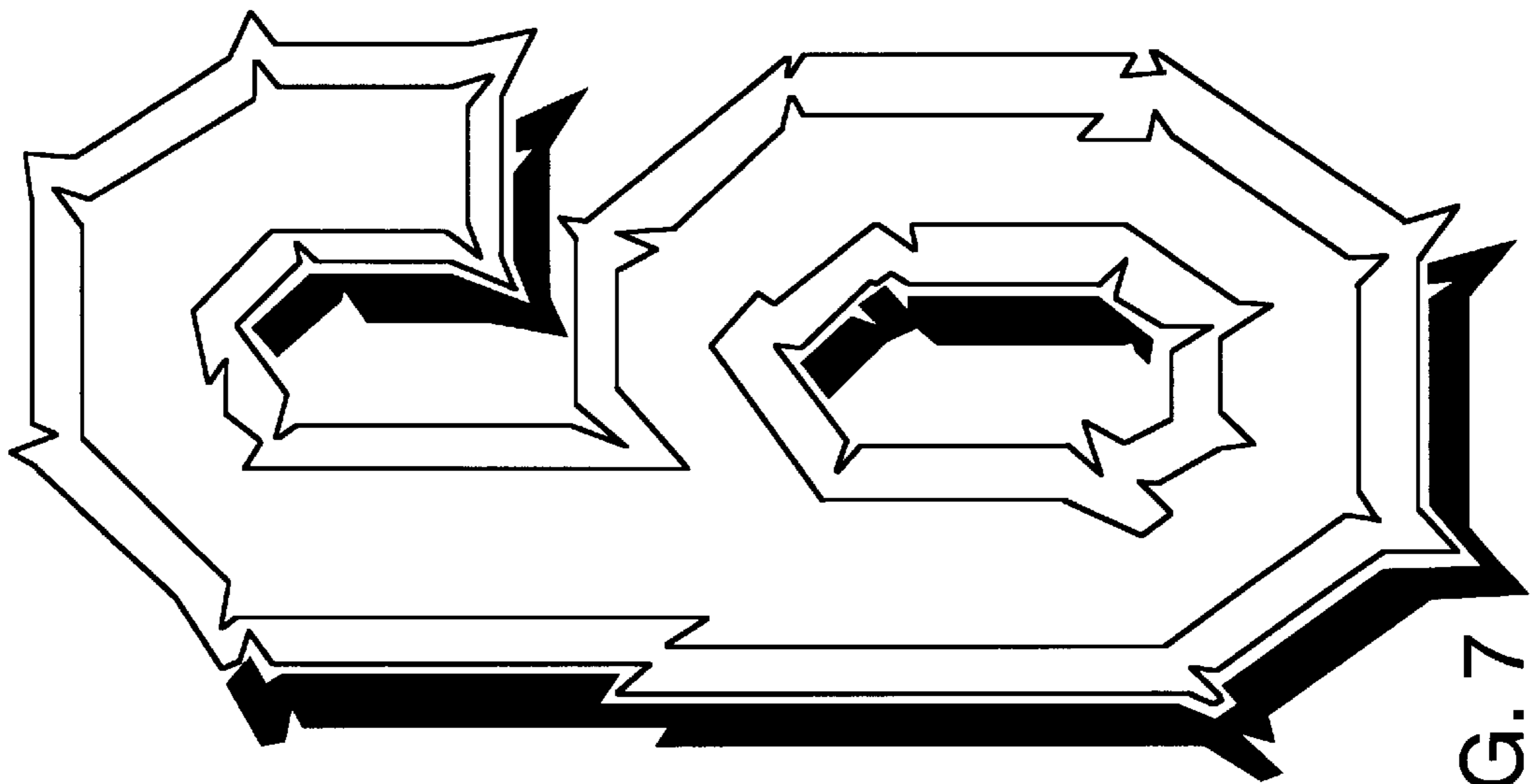


FIG. 7

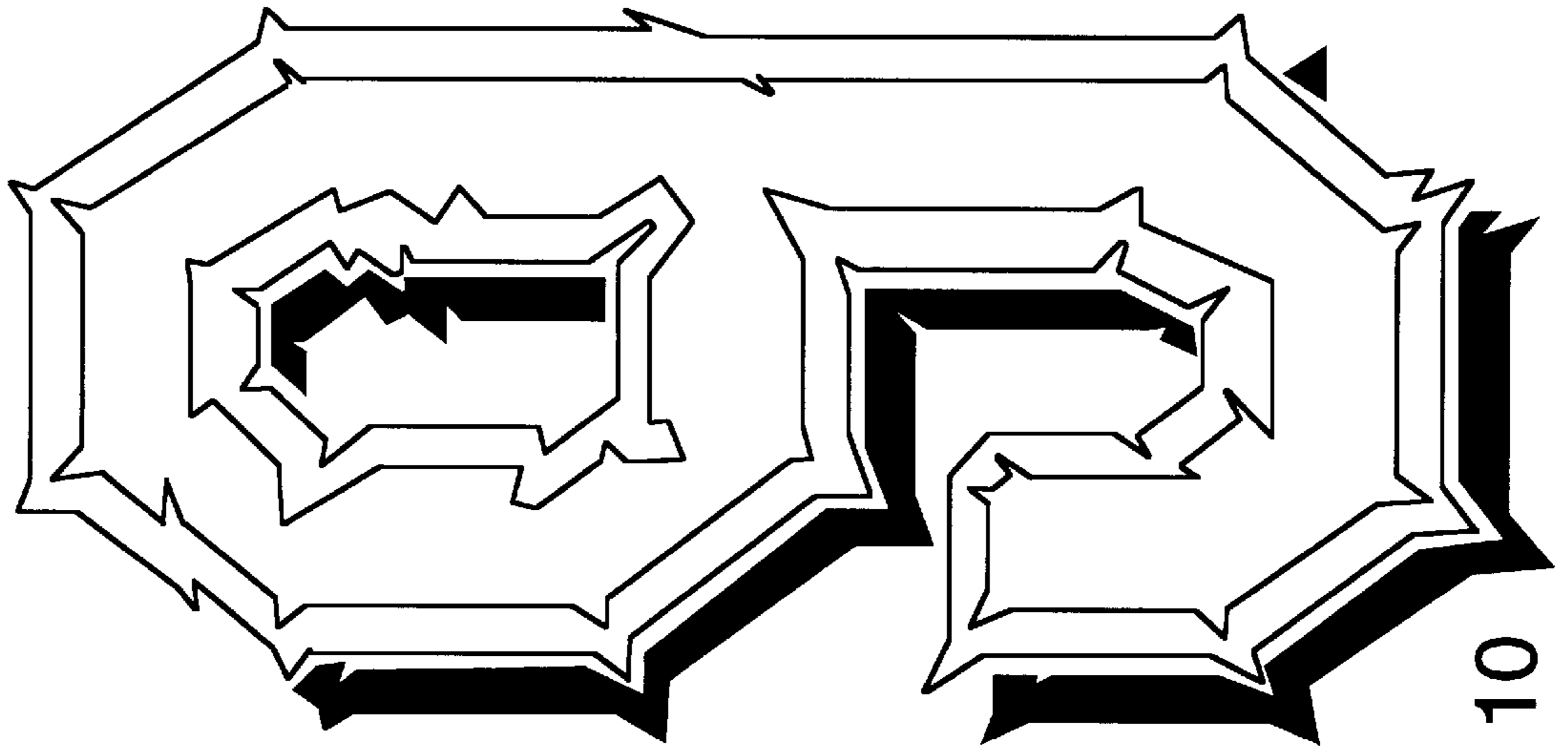


FIG. 10

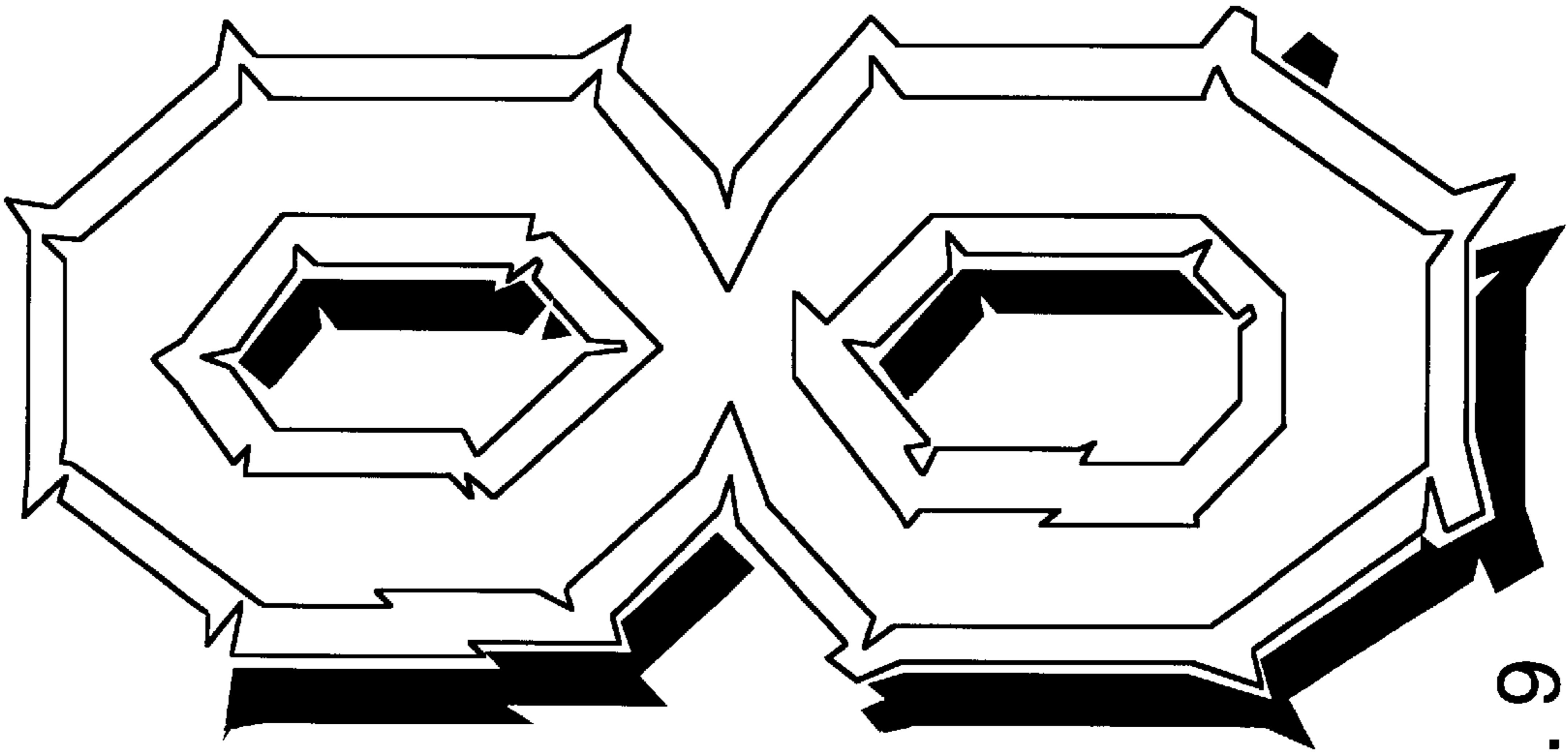


FIG. 9