



US00D411219S

United States Patent [19]
Sumita

[11] **Patent Number: Des. 411,219**
[45] **Date of Patent: ** Jun. 22, 1999**

[54] **VIEWER PORTION OF ELECTRONIC STILL CAMERA**

[75] Inventor: **Kaoru Sumita**, Tokyo, Japan

[73] Assignee: **Sony Corporation**, Tokyo, Japan

[**] Term: **14 Years**

[21] Appl. No.: **29/083,613**

[22] Filed: **Feb. 13, 1998**

Related U.S. Application Data

[63] Continuation-in-part of application No. 29/057,478, Jul. 25, 1996, Pat. No. Des. 391,590.

[51] **LOC (6) Cl.** **16-05**

[52] **U.S. Cl.** **D16/219; D16/202**

[58] **Field of Search** **D16/200-205, D16/208, 209, 212, 213, 216-219, 237; 348/373-376; 358/906, 909.1; 396/535-543**

[56] **References Cited**

U.S. PATENT DOCUMENTS

D. 349,110	7/1994	Ohno	D16/202
D. 355,921	2/1995	Crouch et al.	D16/202
D. 365,585	12/1995	Ray	D16/202
D. 369,818	5/1996	Ono	D16/202
D. 371,377	7/1996	Miyahara	D16/202
D. 372,925	8/1996	Choi	D16/202
5,442,453	8/1995	Takagi et al.	348/374

5,565,919 10/1996 Wakabayashi et al. 348/373

FOREIGN PATENT DOCUMENTS

406225189 8/1994 Japan H04N 5/225

OTHER PUBLICATIONS

Sony's Cyber-Shot Catalog, Cover page (DSC-F1), Oct. 1996.

Primary Examiner—Adir Aronovich
Attorney, Agent, or Firm—Foley & Lardner

[57] **CLAIM**

The ornamental design for a viewer portion of an electronic still camera, as shown and described.

DESCRIPTION

FIG. 1 is a perspective view of a viewer portion of an electronic still camera showing my new design; FIG. 2 is a perspective view thereof, wherein the viewer portion is in the rotated position; FIG. 3 is a top plan view of FIG. 1; FIG. 4 is a left side elevational view thereof; FIG. 5 is a front elevational view thereof; FIG. 6 is a bottom plan view thereof; FIG. 7 is a right side elevational view thereof; and, FIG. 8 is a rear elevational view thereof.

The broken lines shown are for illustrative purposes only and form no part of the claimed design.

1 Claim, 3 Drawing Sheets

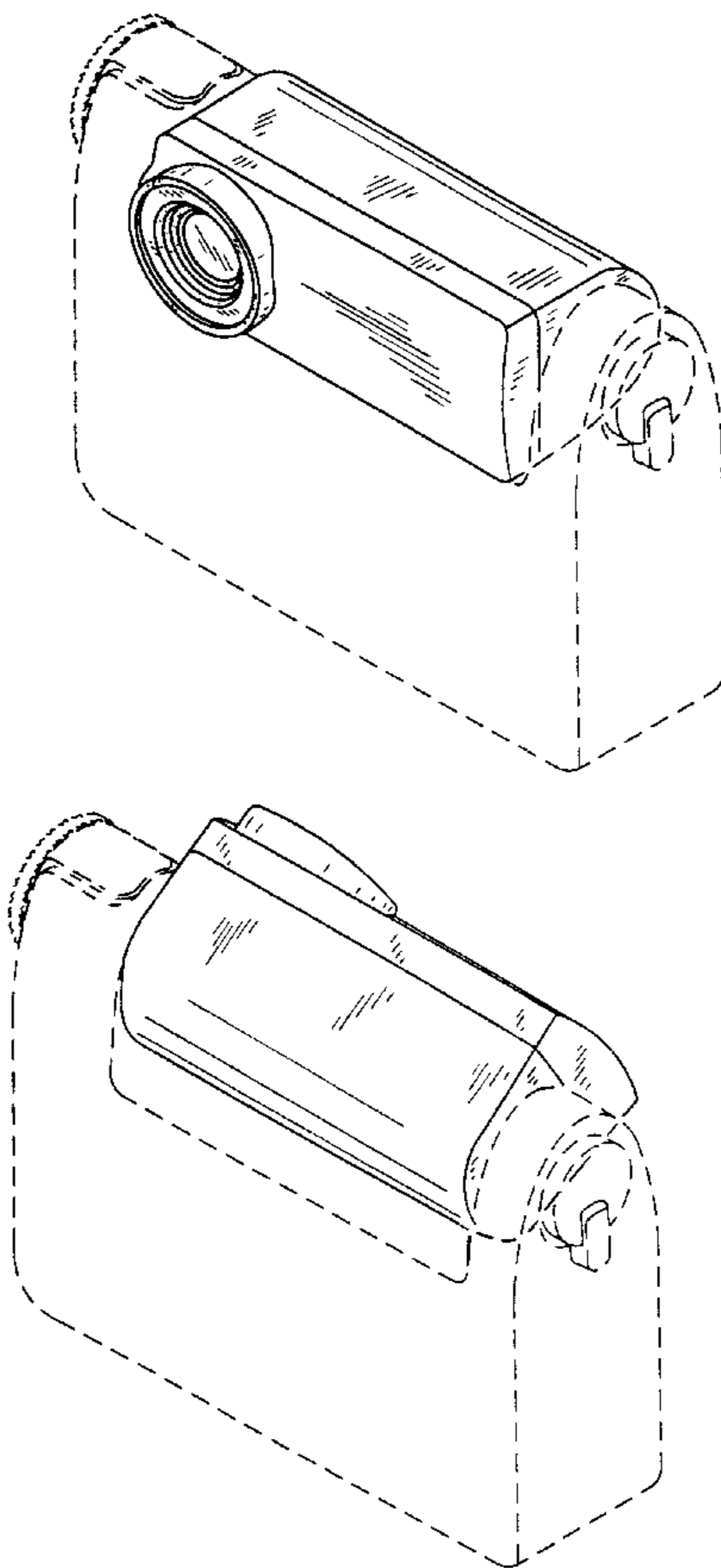


FIG. 1

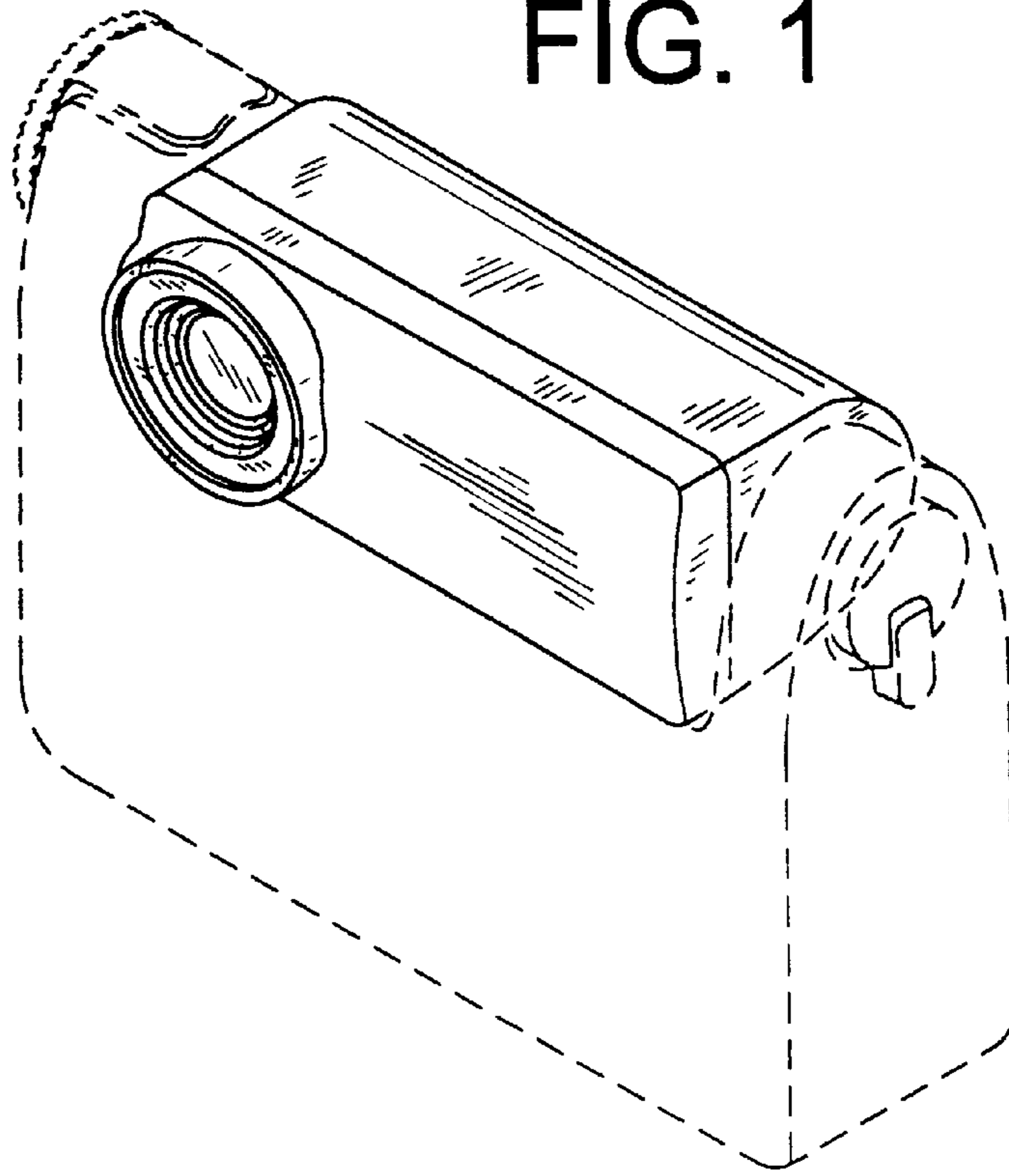


FIG. 2

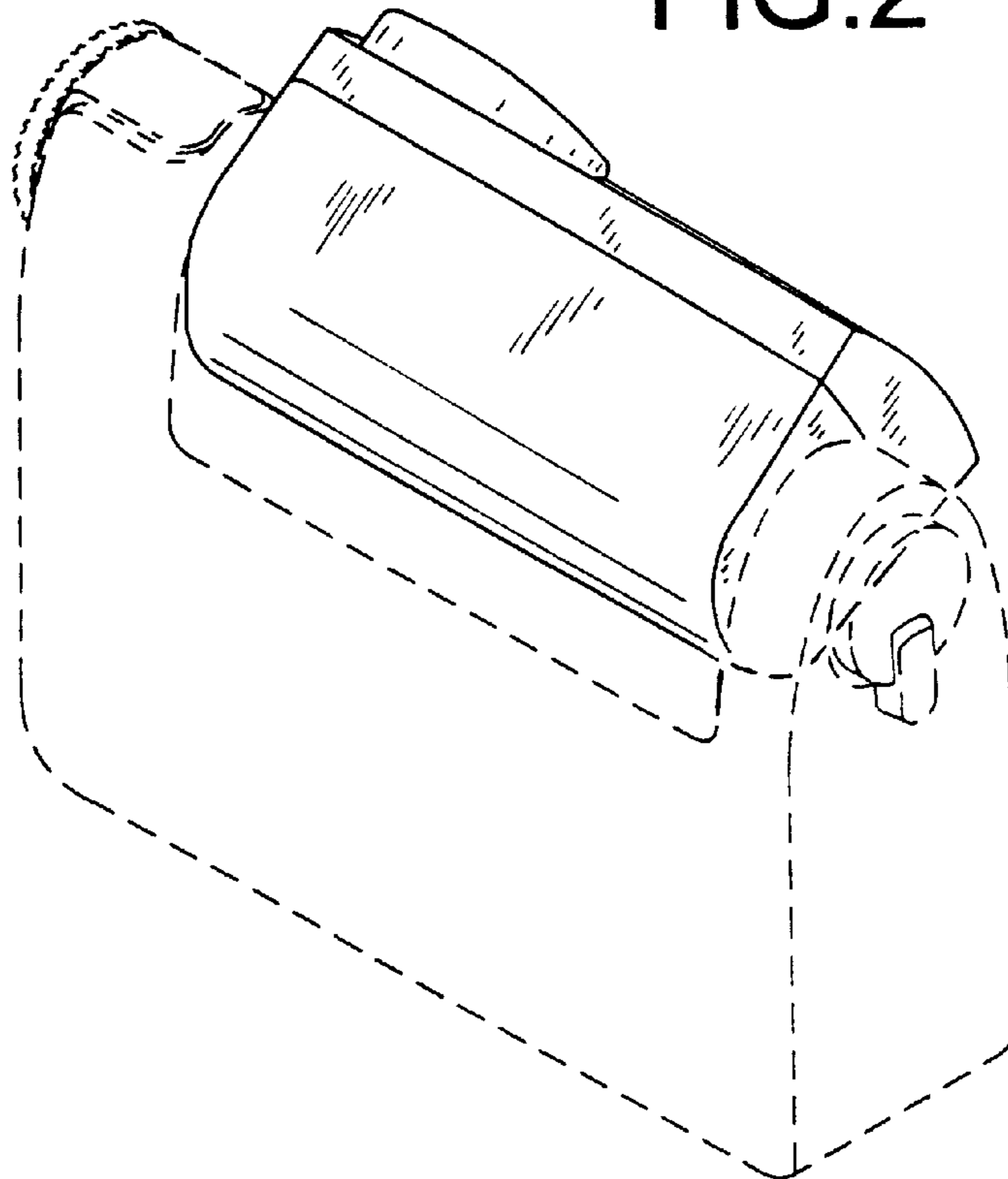


FIG. 3

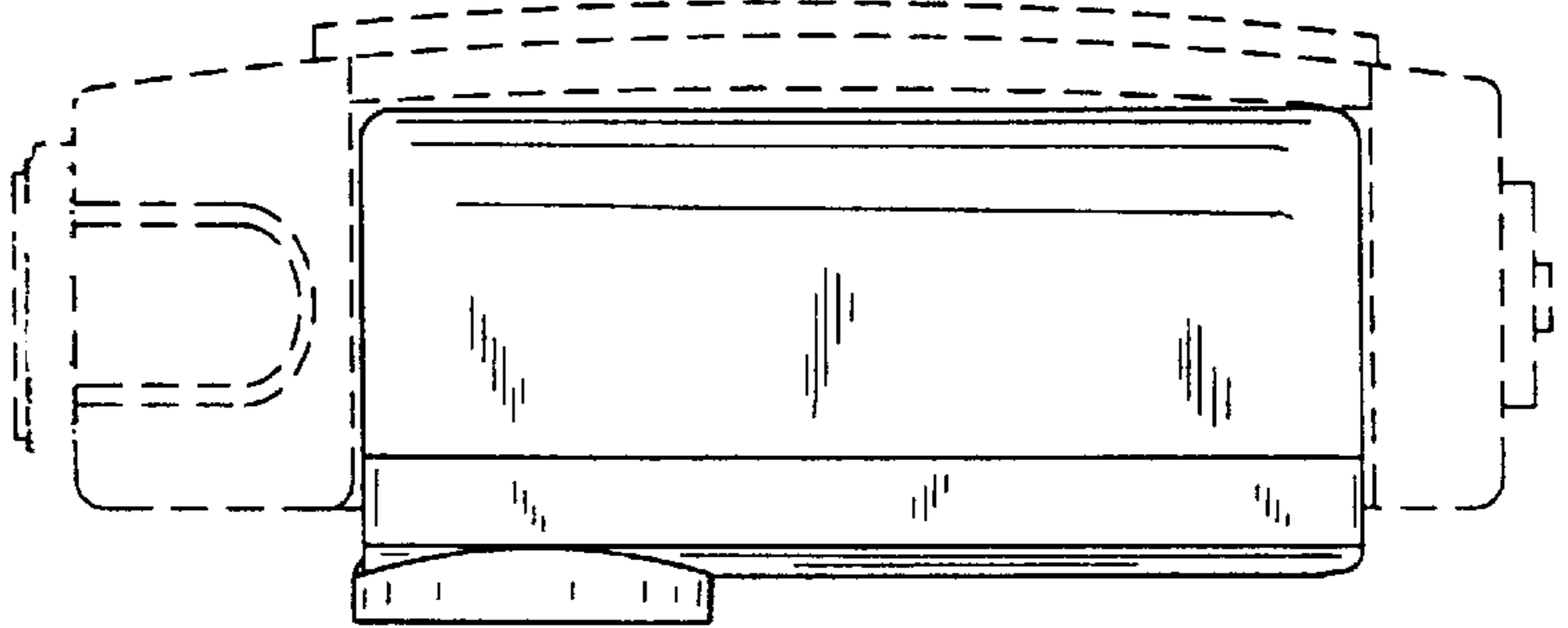


FIG. 4

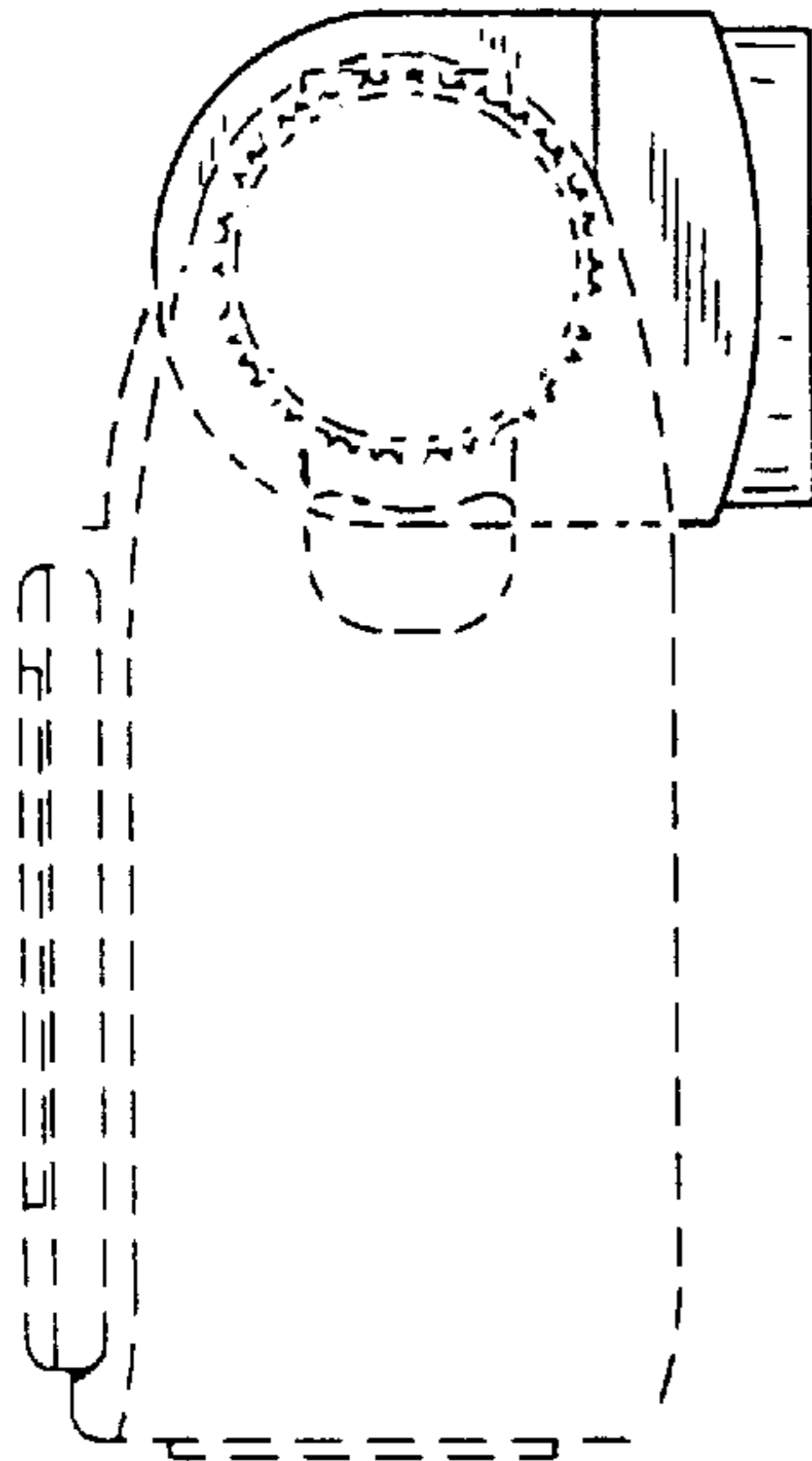


FIG. 5

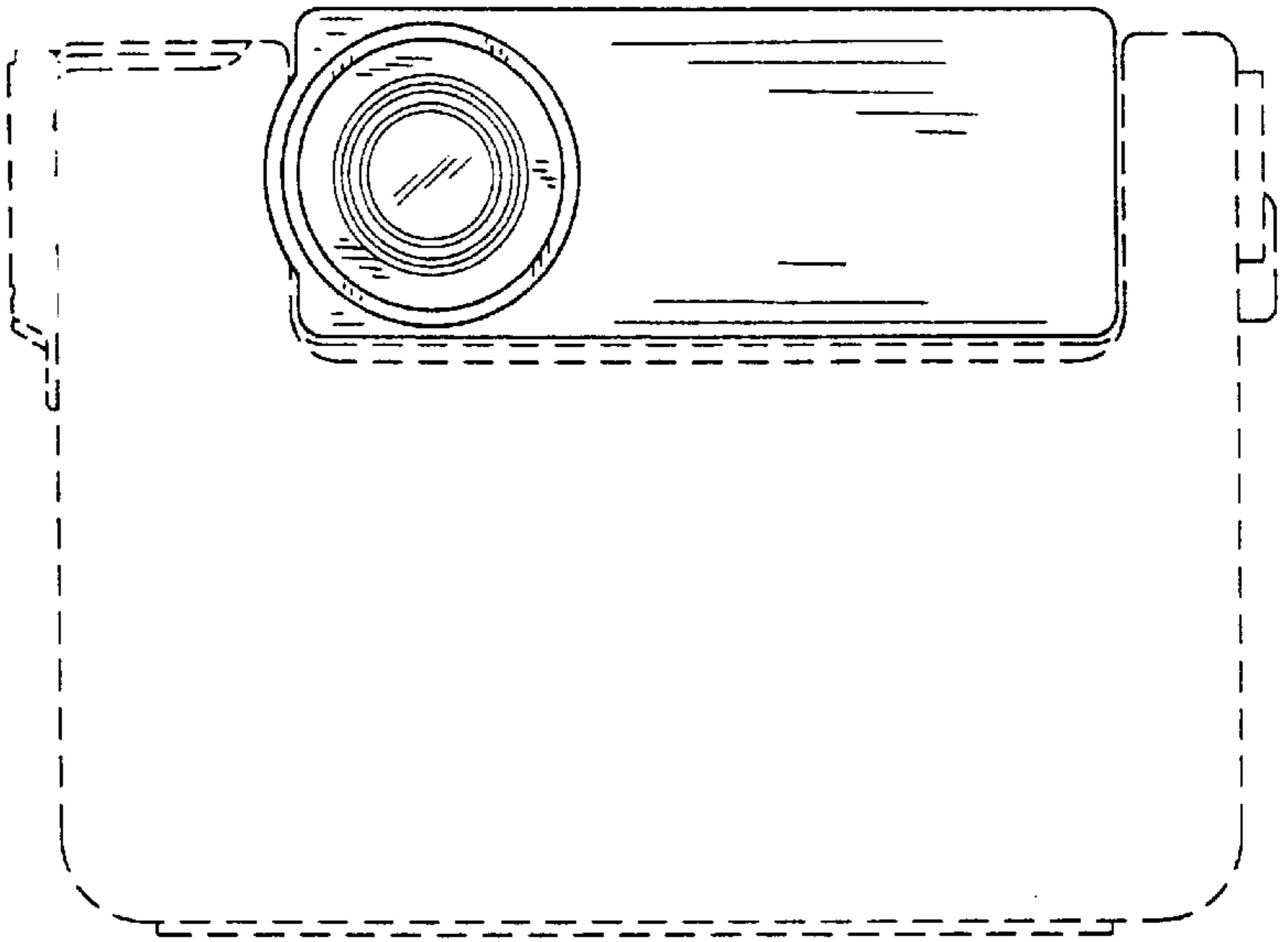


FIG. 6

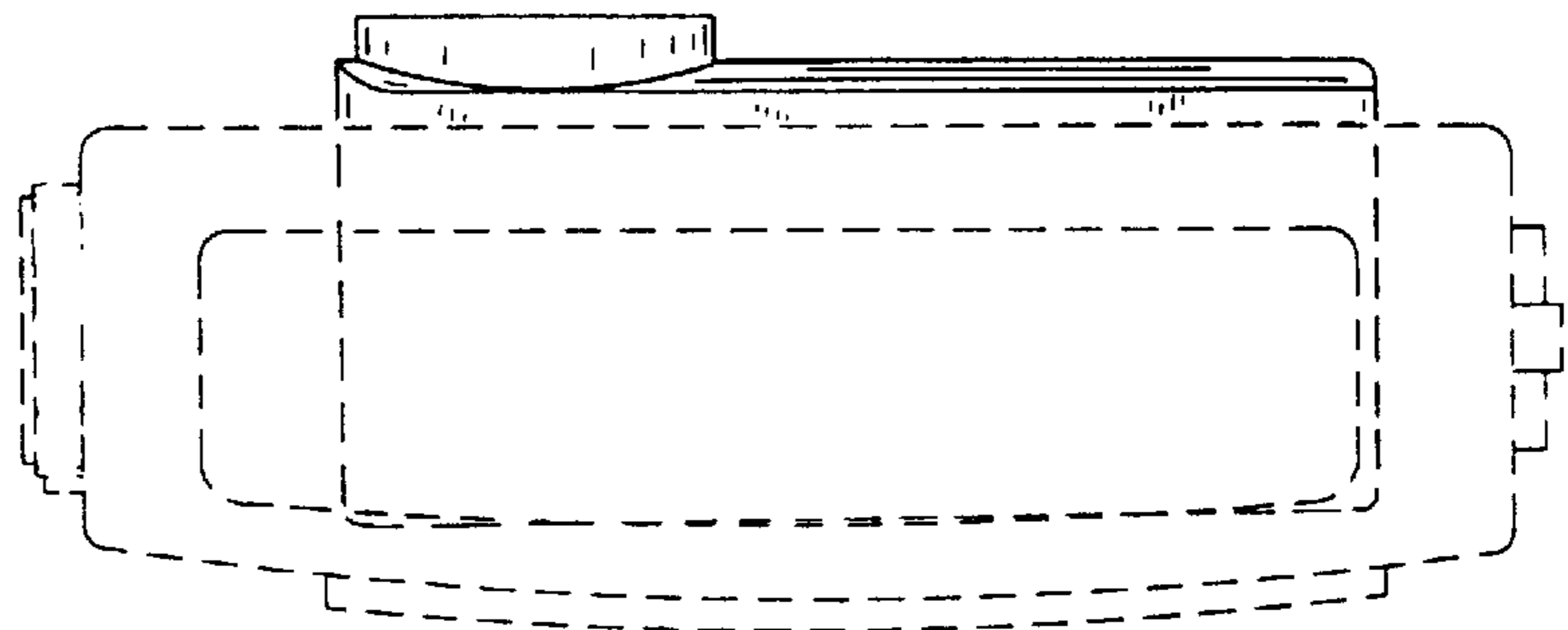


FIG. 7

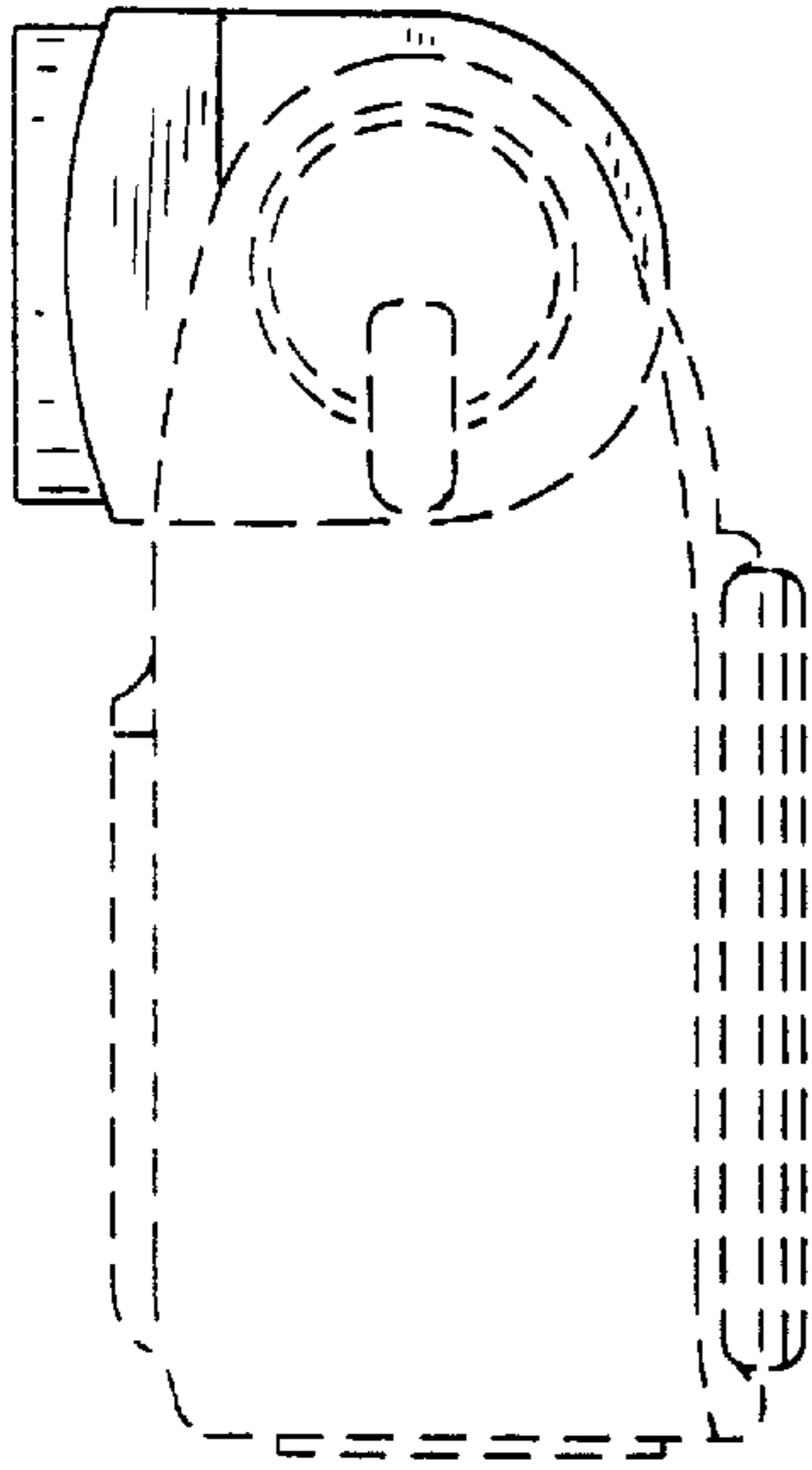


FIG. 8

